



US00D465000S

(12) **United States Design Patent**
Arnold et al.

(10) **Patent No.:** **US D465,000 S**
(45) **Date of Patent:** **** Oct. 29, 2002**

(54) **CROSSTRaining EXERCISE DEVICE**

(75) Inventors: **Peter Arnold**, Snohomish, WA (US);
Blake Pennington, Everett, WA (US);
Rodney West, Kirkland, WA (US)

(73) Assignee: **Illinois Tool Works, Inc.**, Glenview, IL (US)

(**) Term: **14 Years**

(21) Appl. No.: **29/147,069**

(22) Filed: **Aug. 21, 2001**

(51) **LOC (7) Cl.** **21-02**

(52) **U.S. Cl.** **D21/668**

(58) **Field of Search** D21/662, 665,
D21/668, 670; 482/51, 52, 54, 57, 70

(56) **References Cited**

U.S. PATENT DOCUMENTS

6,007,462 A * 12/1999 Chen 482/57

* cited by examiner

Primary Examiner—Philip S. Hyder
(74) *Attorney, Agent, or Firm*—Christensen O'Connor Johnson Kindness pllc

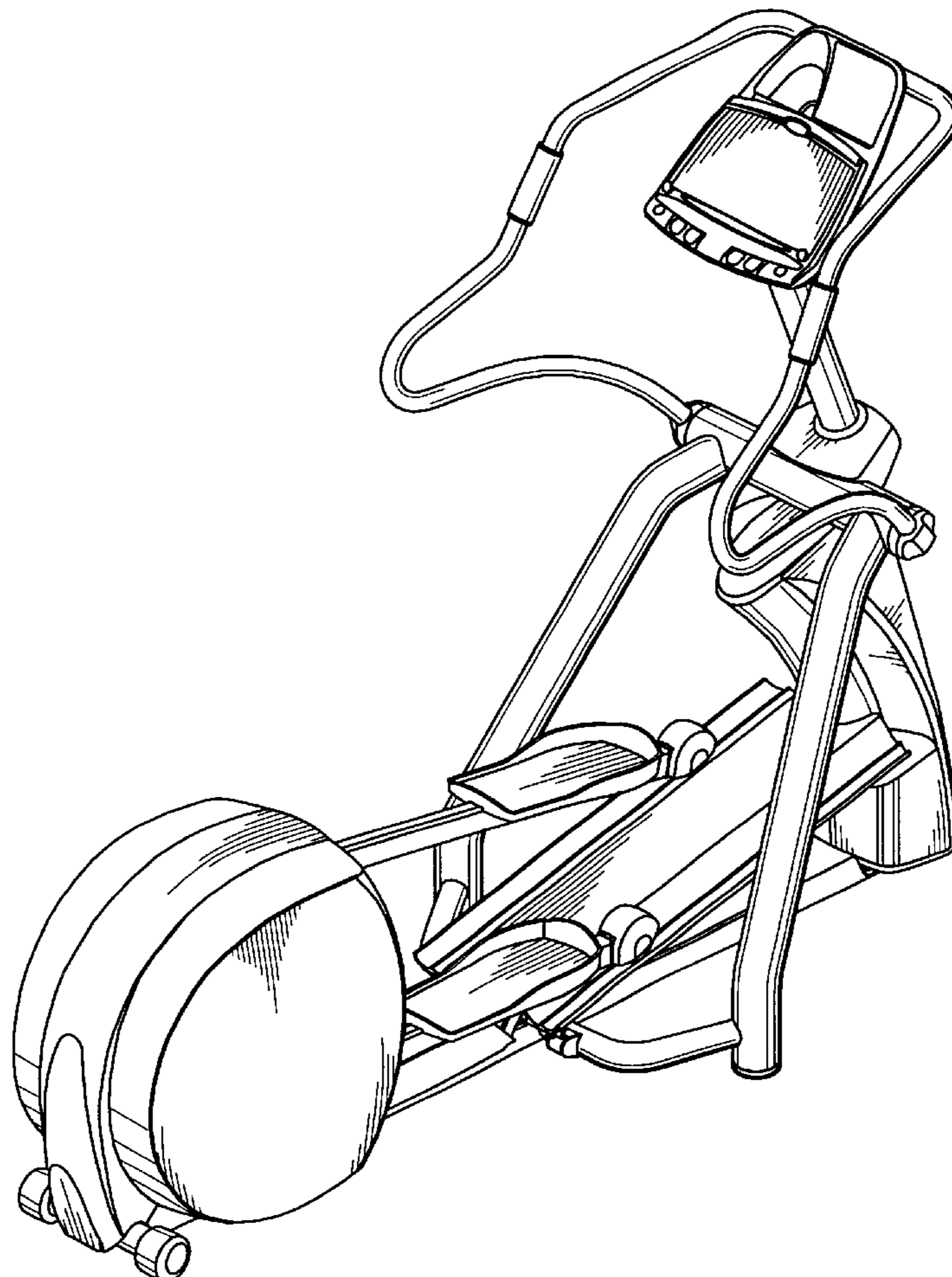
(57) **CLAIM**

The ornamental design for a crosstraining exercise device, as shown and described.

DESCRIPTION

FIG. 1 is a rear perspective view of the subject design;
FIG. 2 is a side view of the subject design;
FIG. 3 is a side view of the subject design taken from the side opposite to FIG. 2;
FIG. 4 is a top view of the subject design;
FIG. 5 is a bottom view of the subject design;
FIG. 6 is a front view of the subject design; and,
FIG. 7 is a rear view of the subject design.

1 Claim, 4 Drawing Sheets



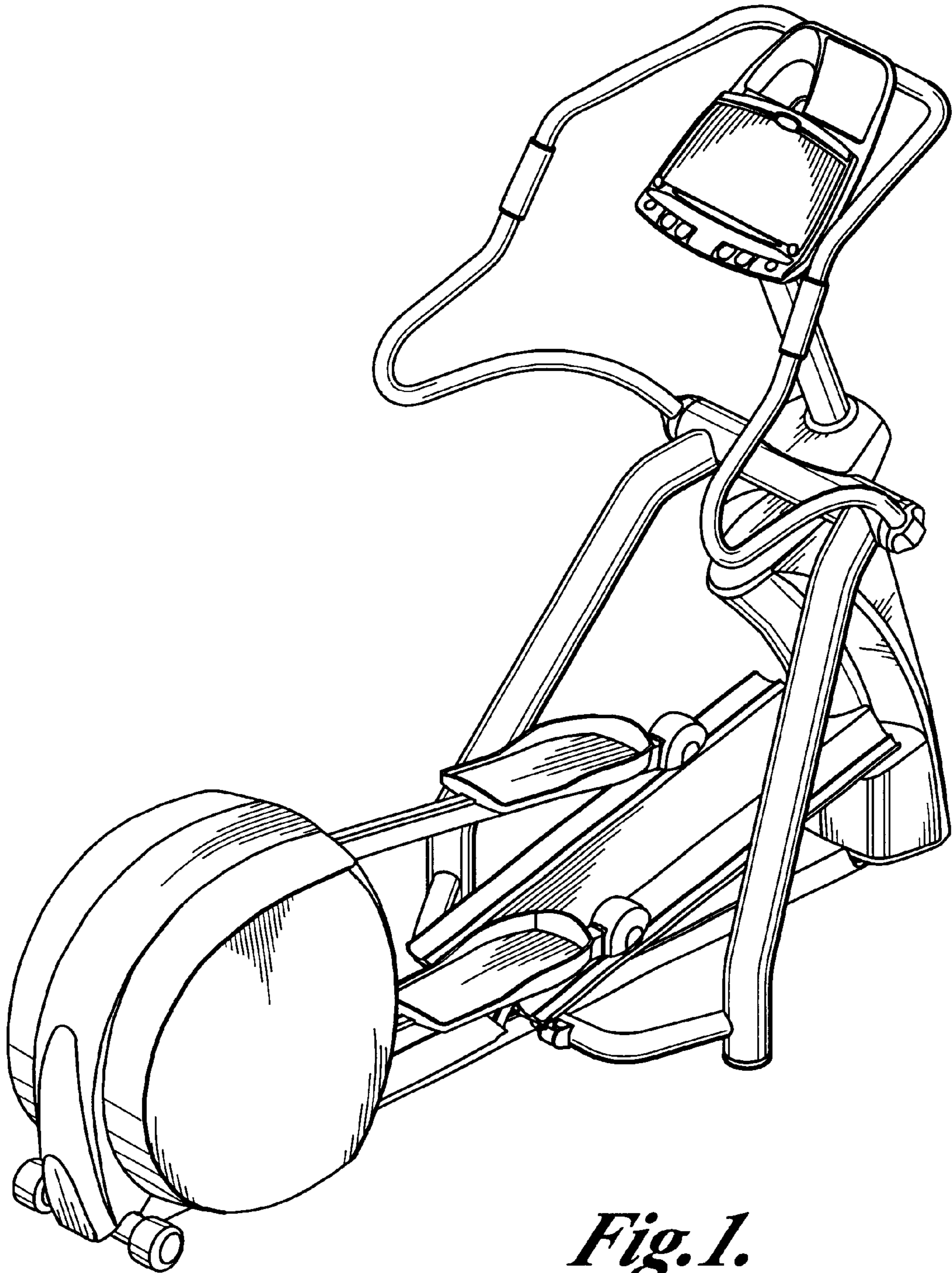


Fig. 1.

Fig. 2.

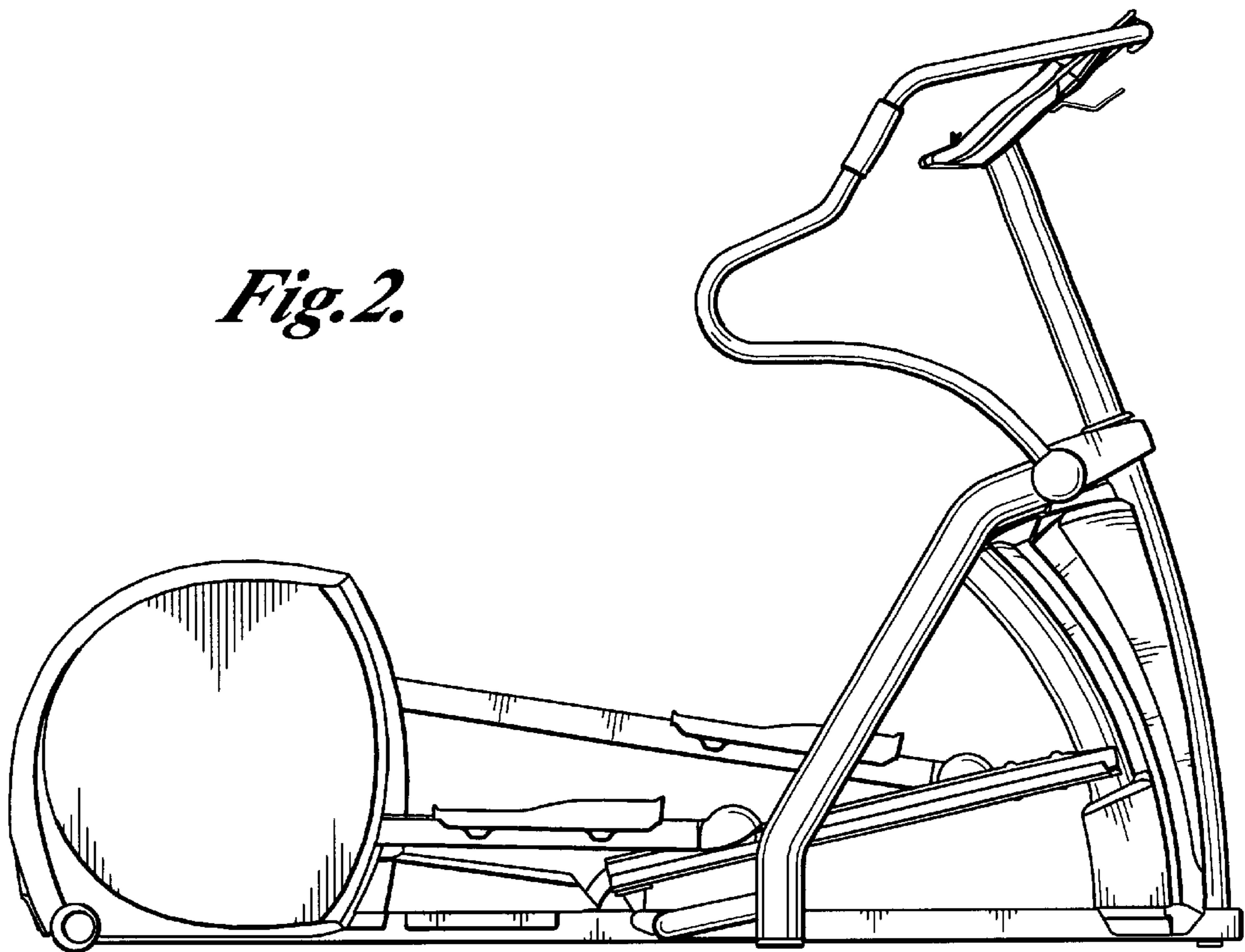
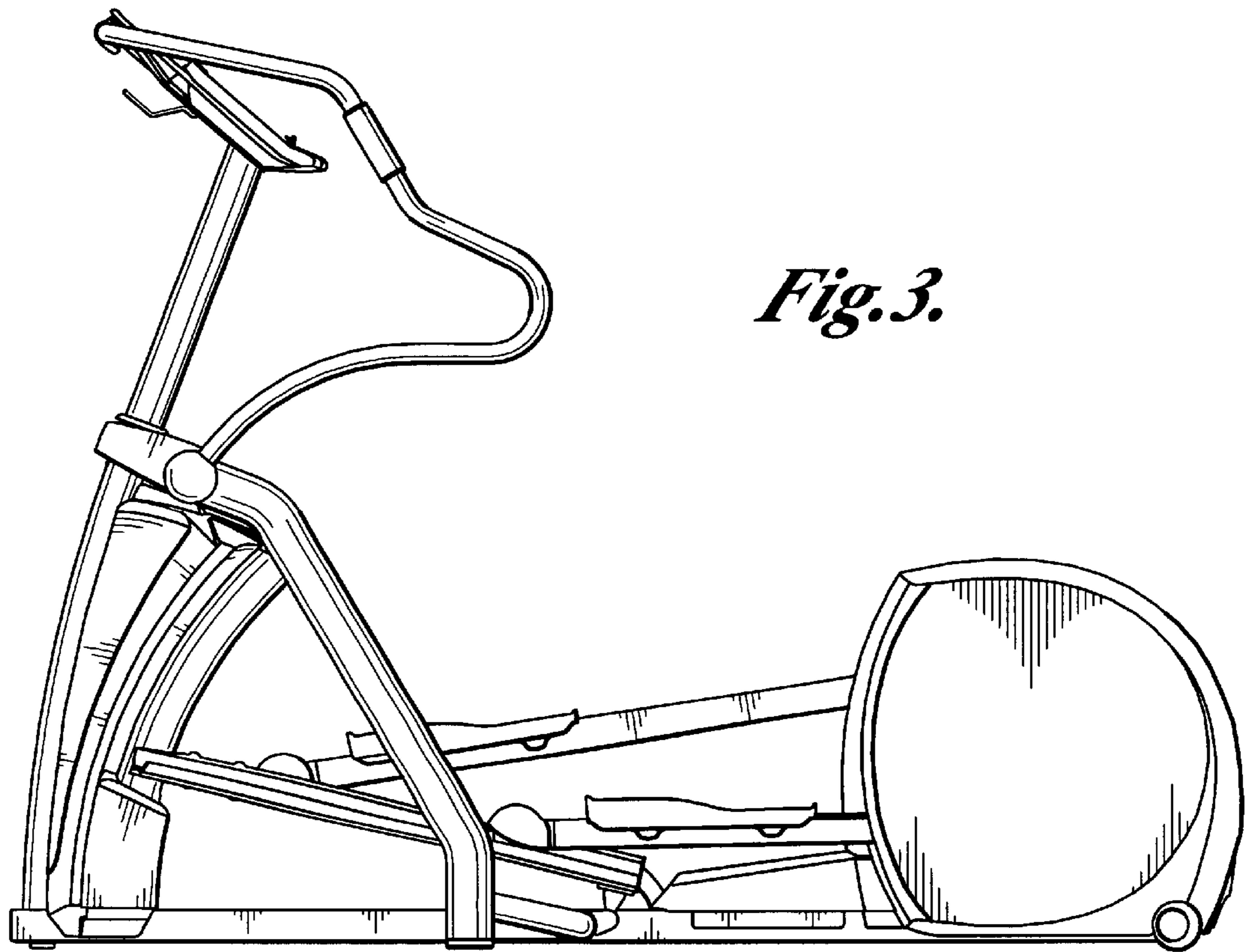


Fig. 3.



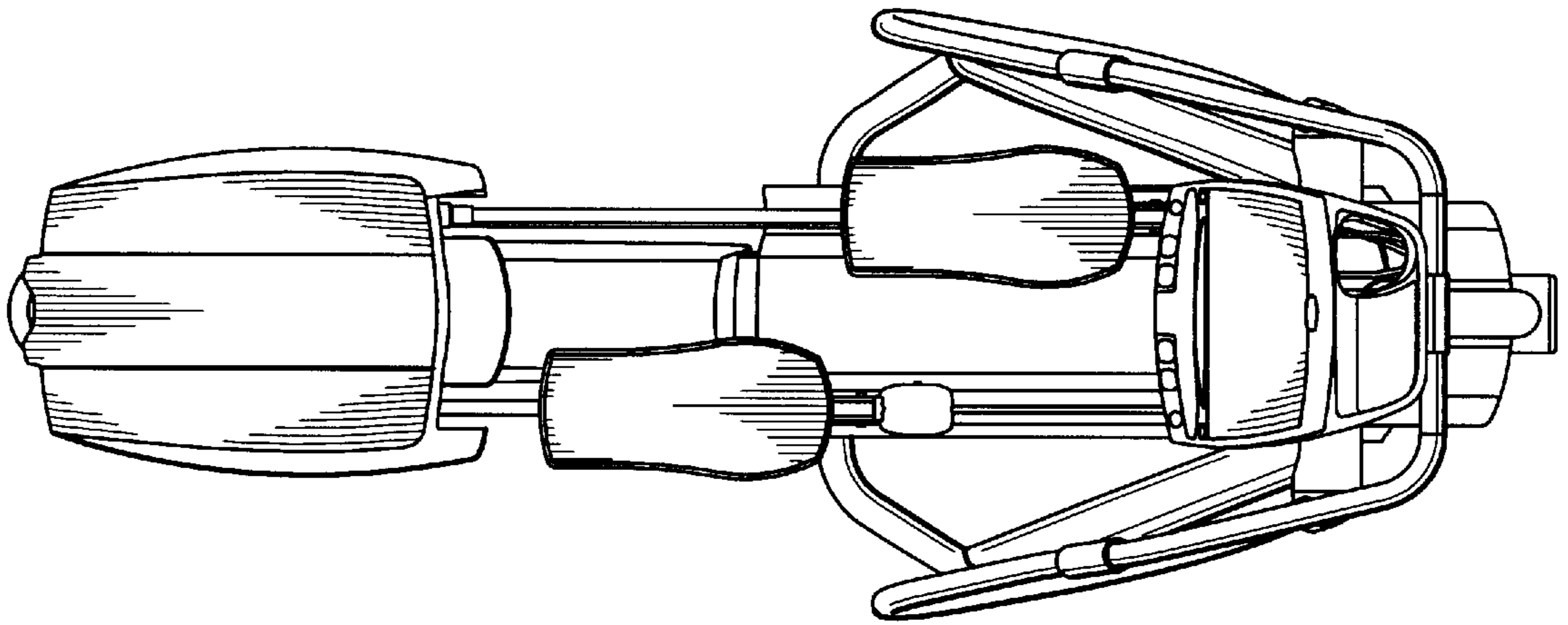


Fig. 4.

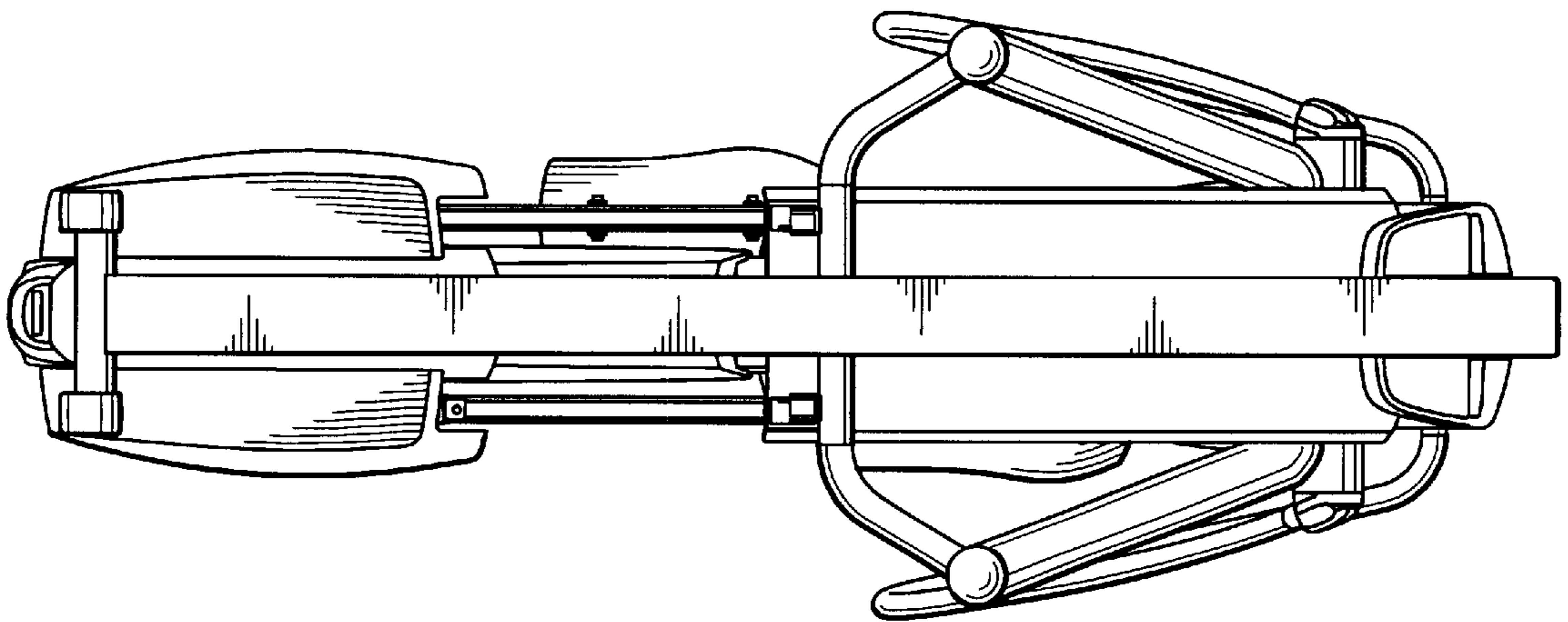


Fig. 5.

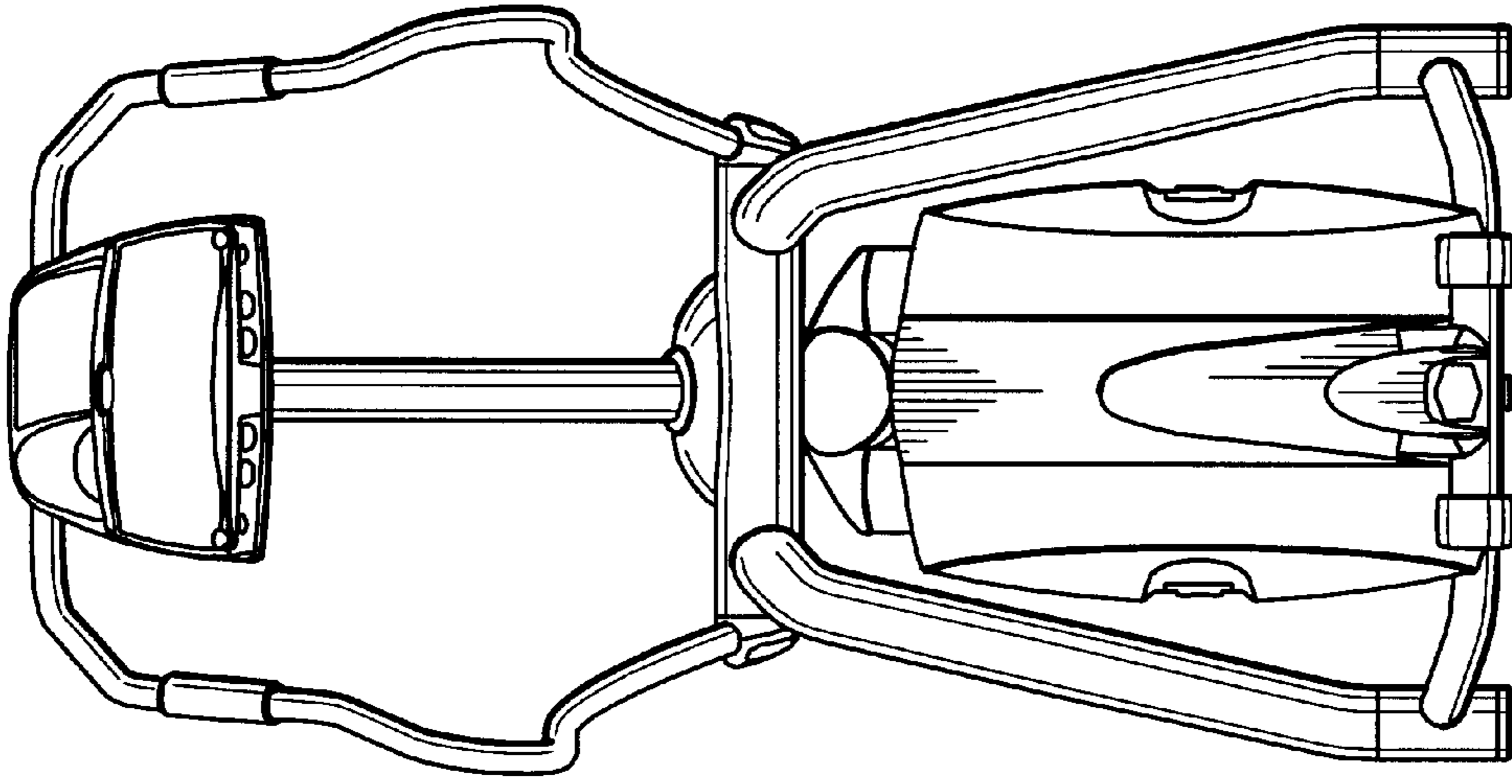


Fig. 7.

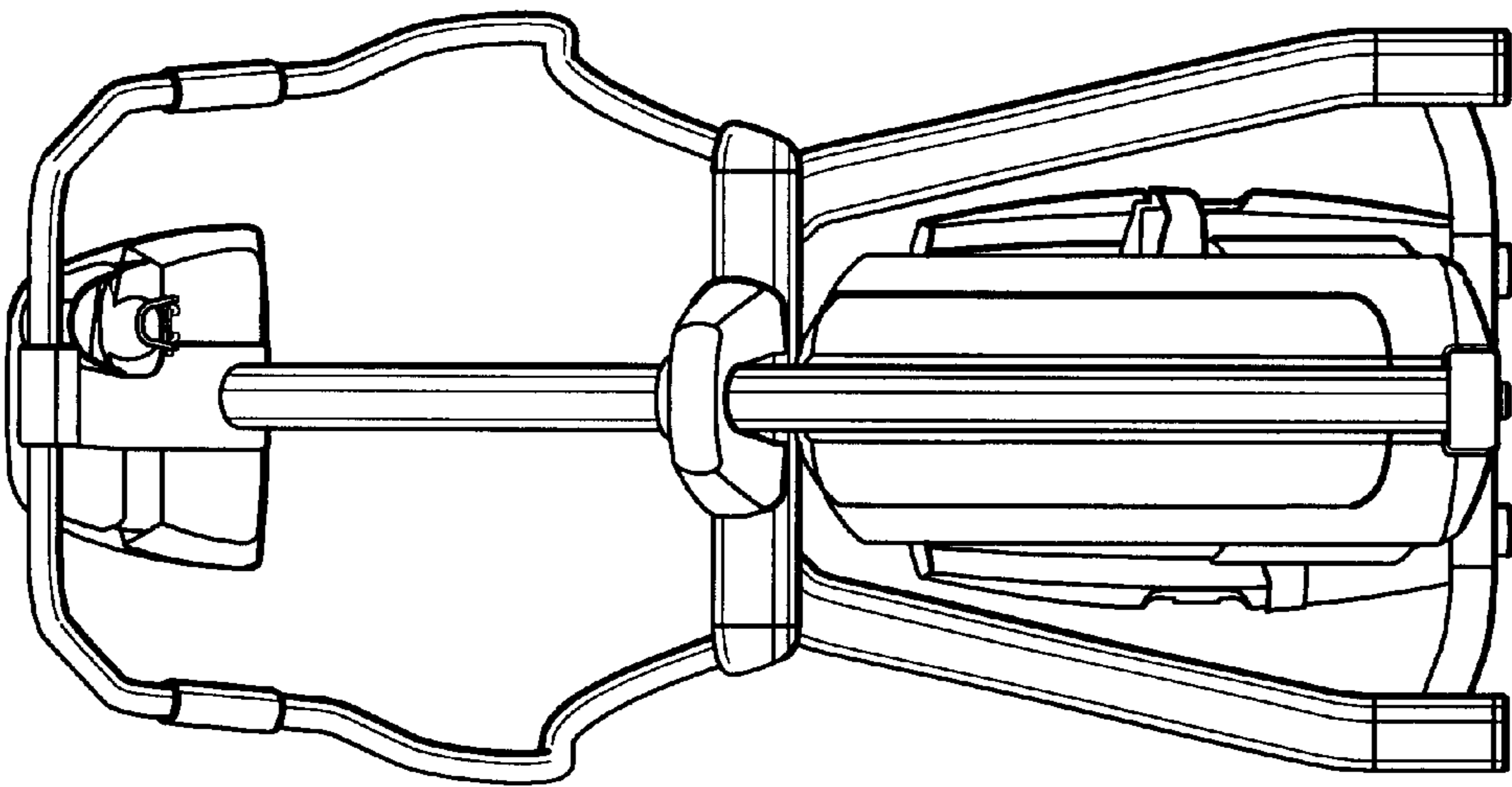


Fig. 6.

UNITED STATES PATENT AND TRADEMARK OFFICE
CERTIFICATE OF CORRECTION

PATENT NO. : Des. 465,000 S
DATED : October 29, 2002
INVENTOR(S) : P. Arnold et al.

Page 1 of 1

It is certified that error appears in the above-identified patent and that said Letters Patent is hereby corrected as shown below:

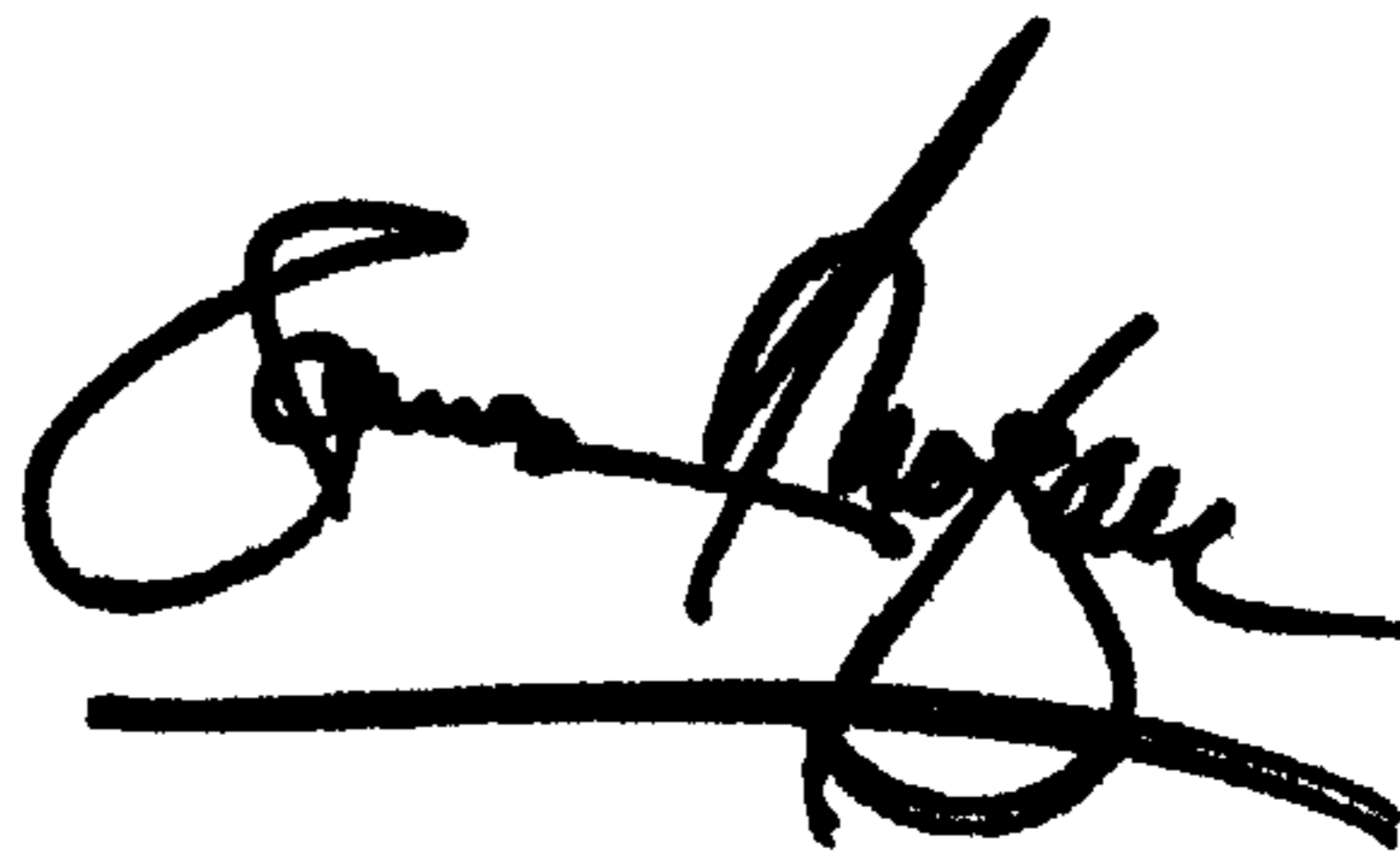
Title page,

Item [56], **References Cited**, U.S. PATENT DOCUMENTS, insert in appropriate order the following:

-- D 352,535	11/1994	Miller
D 388,847	1/1998	Whan-Tong et al.
D 397,383	8/1998	Sands et al.
D 398,672	9/1998	Sands et al.
D 401,645	11/1998	Kuo
D 405,852	2/1999	McBride
D 408,477	4/1999	Arnold et al.
D 410,978	6/1999	Littrell et al.
D 429,781	8/2000	Arnold et al.
D 449,356	10/2001	Arnold et al.
5,352,169	10/1994	Eschenbach
5,383,829	1/1995	Miller
5,423,729	6/1995	Eschenbach
5,518,473	5/1996	Miller
5,529,554	6/1996	Eschenbach
5,562,574	10/1996	Miller
5,577,985	11/1996	Miller
5,746,683	5/1998	Lee
5,823,914	10/1998	Chen --

Signed and Sealed this

Twenty-ninth Day of July, 2003



JAMES E. ROGAN
Director of the United States Patent and Trademark Office