



US00D464997S

(12) **United States Design Patent**
Goto

(10) **Patent No.:** **US D464,997 S**

(45) **Date of Patent:** **** Oct. 29, 2002**

(54) **RECEIVER FOR REMOTE CONTROLLER**

(75) **Inventor:** **Teiyu Goto, Tokyo (JP)**

(73) **Assignee:** **Sony Computer Entertainment, Inc., Tokyo (JP)**

(**) **Term:** **14 Years**

(21) **Appl. No.:** **29/155,460**

(22) **Filed:** **Feb. 12, 2002**

Related U.S. Application Data

(62) Division of application No. 29/139,246, filed on Mar. 28, 2001, now Pat. No. Des. 457,194.

(30) **Foreign Application Priority Data**

Nov. 2, 2000 (JP) 2000-031463
Nov. 2, 2000 (JP) 2000-031464

(51) **LOC (7) Cl.** **21-01**

(52) **U.S. Cl.** **D21/333**

(58) **Field of Search** D14/412, 413,
D14/432, 496; D21/324, 333, 385; 273/148 B;
463/1, 38-42, 46, 47; 345/156-161, 905;
D13/146, 147

(56) **References Cited**

U.S. PATENT DOCUMENTS

D196,912 S 11/1963 Kostich D13/147
4,126,369 A 11/1978 Rapata et al. 439/488
D271,312 S 11/1983 Renteria D14/413
4,865,321 A 9/1989 Nakagawa et al. 273/148
5,046,739 A * 9/1991 Reichow 273/148 B
D324,244 S 2/1992 Stamper et al. D21/333
D325,049 S 3/1992 Cordell D21/333

D333,293 S 2/1993 Ashida D13/147
5,435,744 A 7/1995 Derstine et al. 439/352
D366,242 S 1/1996 Goto
5,501,458 A * 3/1996 Mallory 273/148 B
D372,274 S 7/1996 Douglas et al. D21/333
D383,801 S 9/1997 Oikawa D21/333
D434,811 S * 12/2000 Aleman D21/333
D437,290 S 2/2001 Goto
6,241,247 B1 * 6/2001 Sternberg et al. 273/148 B

OTHER PUBLICATIONS

“Taiwan Telephone Book (Manufacturers)”, vol. C97, 2 sheets, S06 (Fall 1999).

* cited by examiner

Primary Examiner—Prabhakar Deshmukh
(74) *Attorney, Agent, or Firm*—Rader, Fishman & Grauer PLLC

(57) **CLAIM**

The ornamental design for a receiver for remote controller, as shown and described.

DESCRIPTION

FIG. 1 is a perspective view of a remote controller showing my new design;
FIG. 2 is a front elevational view thereof;
FIG. 3 is a rear elevational view thereof;
FIG. 4 is a top plan view thereof;
FIG. 5 is a reference bottom plan view thereof; and,
FIG. 6 is a right side elevational view thereof, a left side elevational view thereof being a mirror image.
The broken lines are for illustrative purpose only and forms no part of the claimed design.

1 Claim, 2 Drawing Sheets

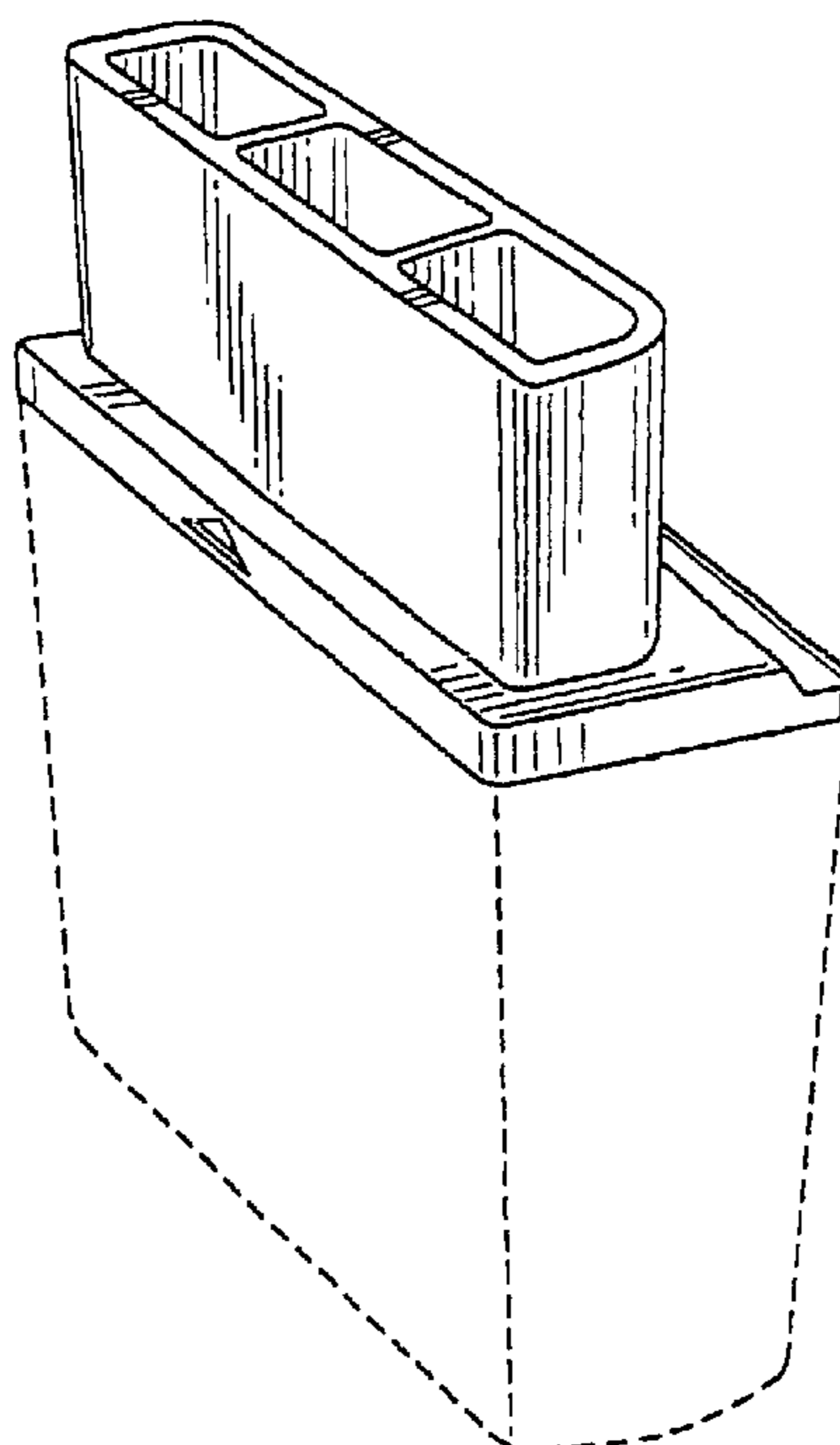


FIG. 1

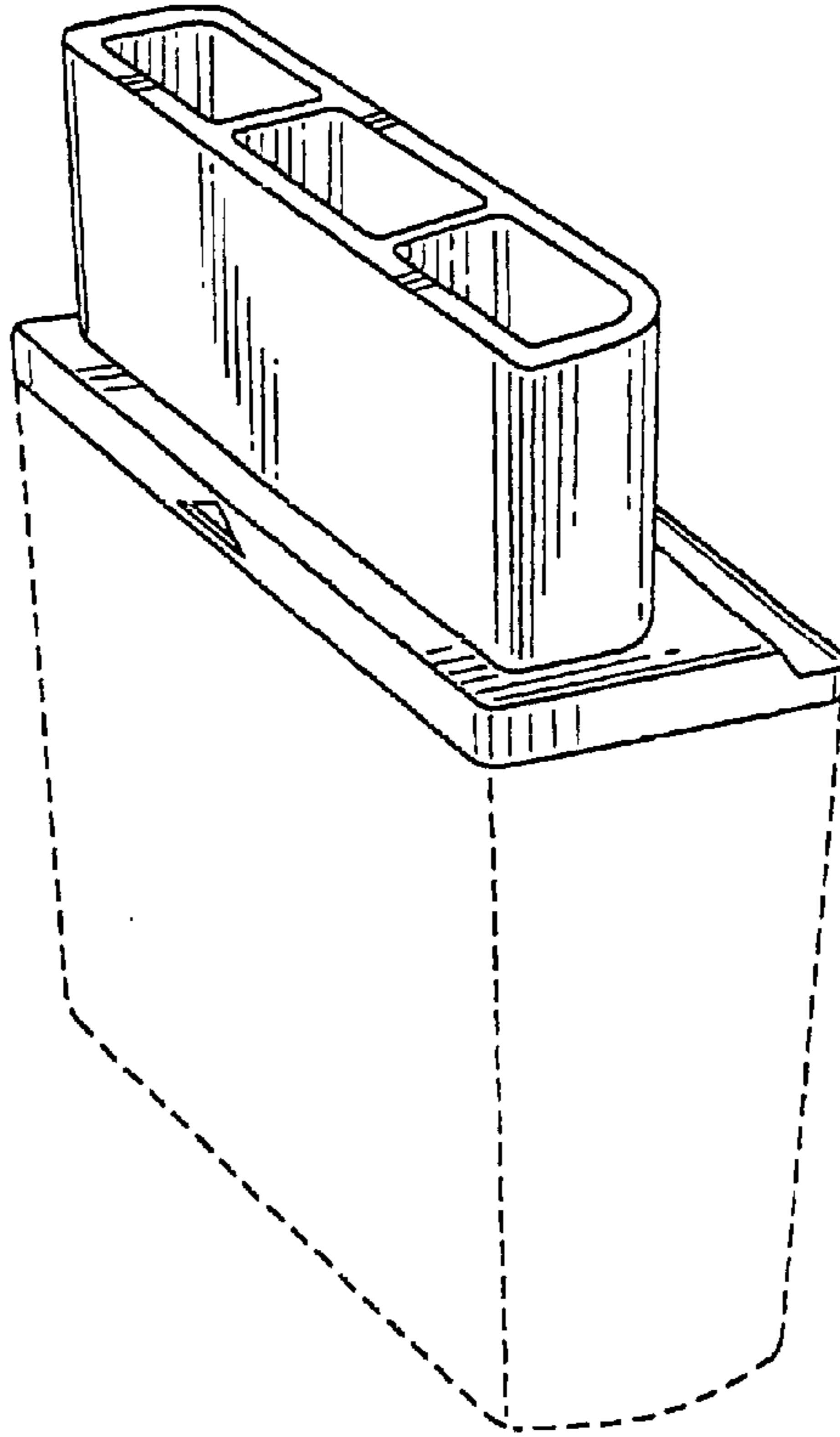
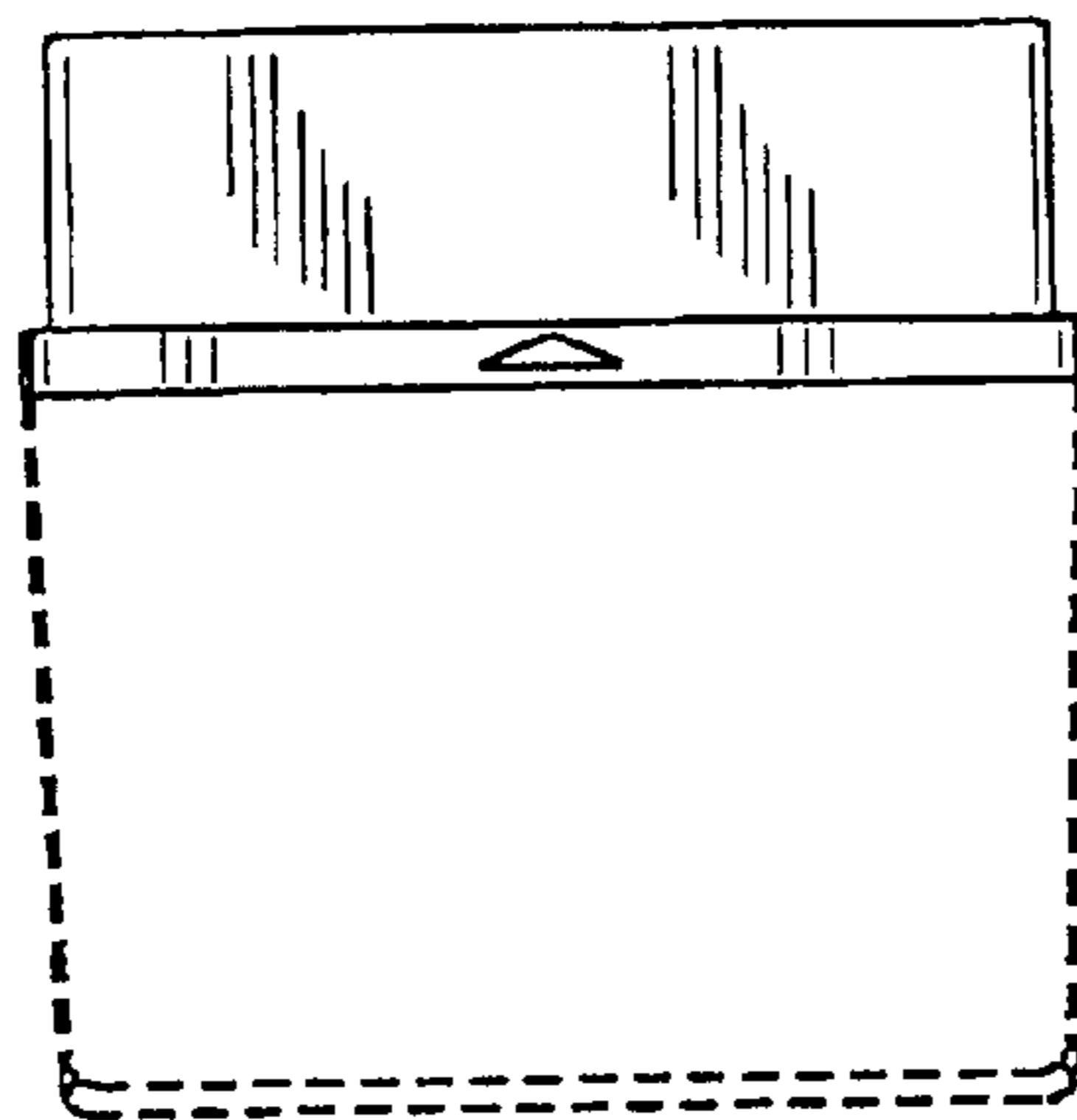


FIG. 2



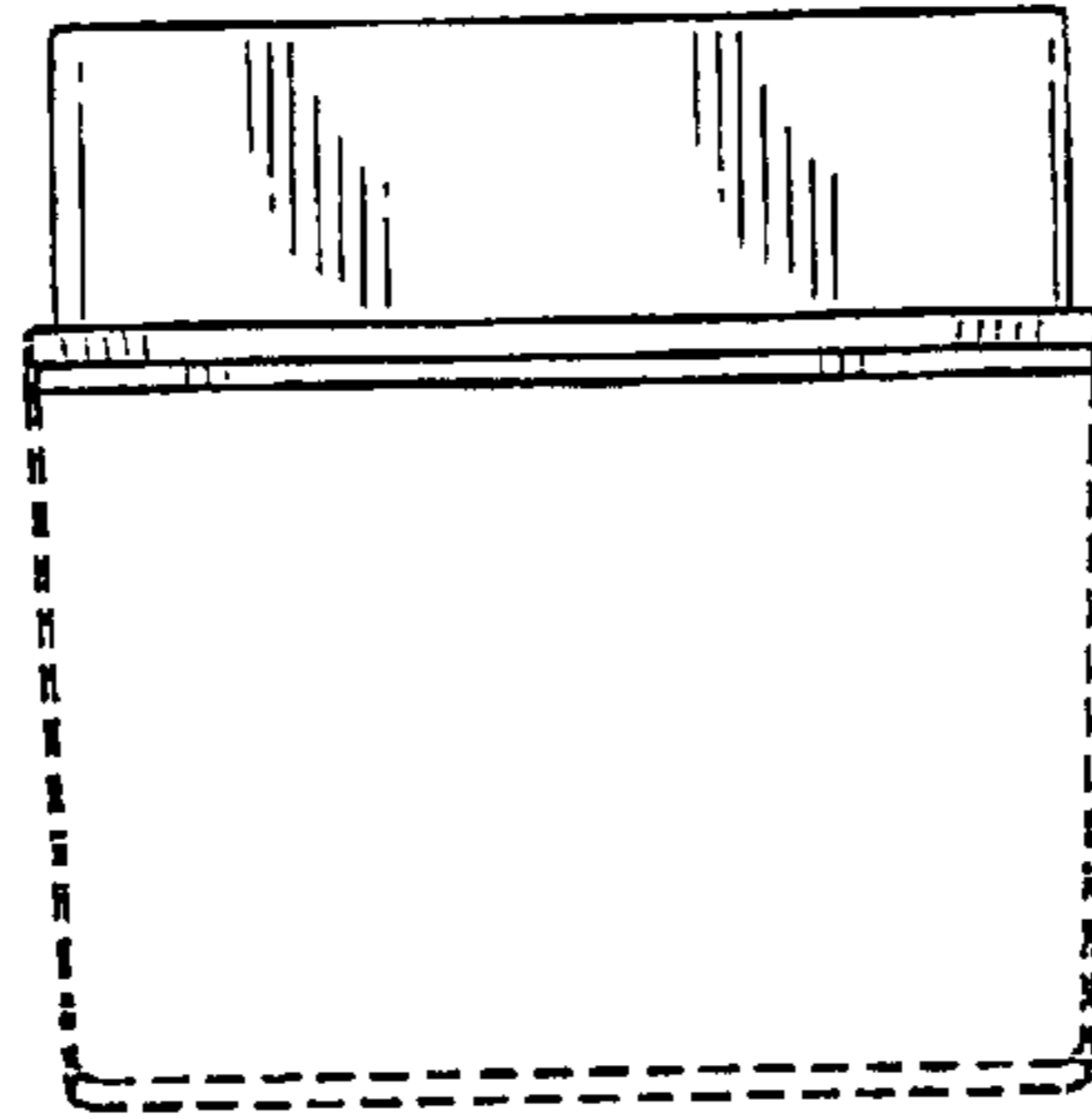


FIG. 3

FIG. 4

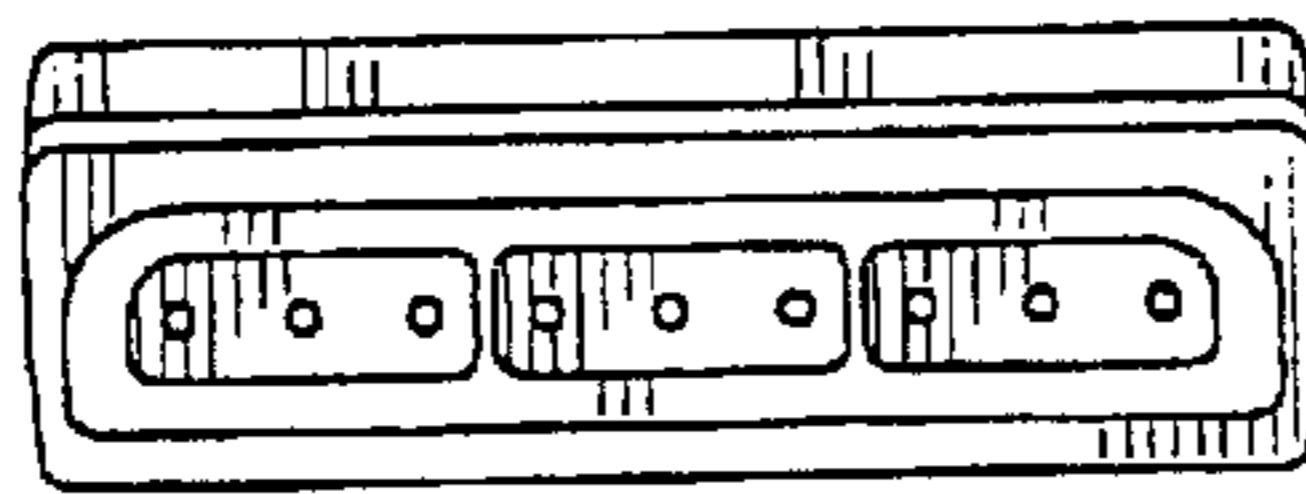


FIG. 5



FIG. 6

