



US00D464994S

(12) **United States Design Patent**  
**Rosen**

(10) **Patent No.:** **US D464,994 S**

(45) **Date of Patent:** **\*\* Oct. 29, 2002**

(54) **CLAMPING PUSH PIN**

(75) **Inventor:** **Lawrence I. Rosen**, Mendham, NJ  
(US)

(73) **Assignee:** **Rose Art Industries, Inc.**, Livingston,  
NJ (US)

(\*\*) **Term:** **14 Years**

(21) **Appl. No.:** **29/154,038**

(22) **Filed:** **Jan. 14, 2002**

(51) **LOC (7) Cl.** ..... **19-02**

(52) **U.S. Cl.** ..... **D19/65; D8/389; D8/395;**  
**D19/86; D19/90**

(58) **Field of Search** ..... **D19/34, 35, 36,**  
**D19/65, 75, 86, 90, 91, 99, 100; D8/388-390,**  
**394-395; 24/67 R, 67.1-67.11, 354, 545-547,**  
**555, 561, 563; 40/641; 248/216.1, 217.3**

(56) **References Cited**

**U.S. PATENT DOCUMENTS**

508,735 A	*	11/1893	Miller	.....	24/354
893,353 A	*	7/1908	McGill	.....	24/561
3,995,820 A	*	12/1976	Einhorn	.....	248/216.1
D268,848 S	*	5/1983	Lorber	.....	D19/99
D311,212 S	*	10/1990	Tsuji	.....	D19/65

5,148,581 A	*	9/1992	Hartmann	.....	24/351
5,179,765 A		1/1993	Sungberg		
5,370,487 A		12/1994	Kracke		
5,484,126 A	*	1/1996	Kitchin	.....	248/217.3
5,500,987 A		3/1996	Rosen		
5,507,459 A		4/1996	Kiera		
D380,494 S	*	7/1997	Molenaar	.....	D19/65
6,196,782 B1		3/2001	Wagner		
D455,339 S	*	4/2002	Tsai	.....	D8/395

\* cited by examiner

*Primary Examiner*—Martie K. Holtje

(74) *Attorney, Agent, or Firm*—Allen N. Friedman;  
McCarter & English, LLP

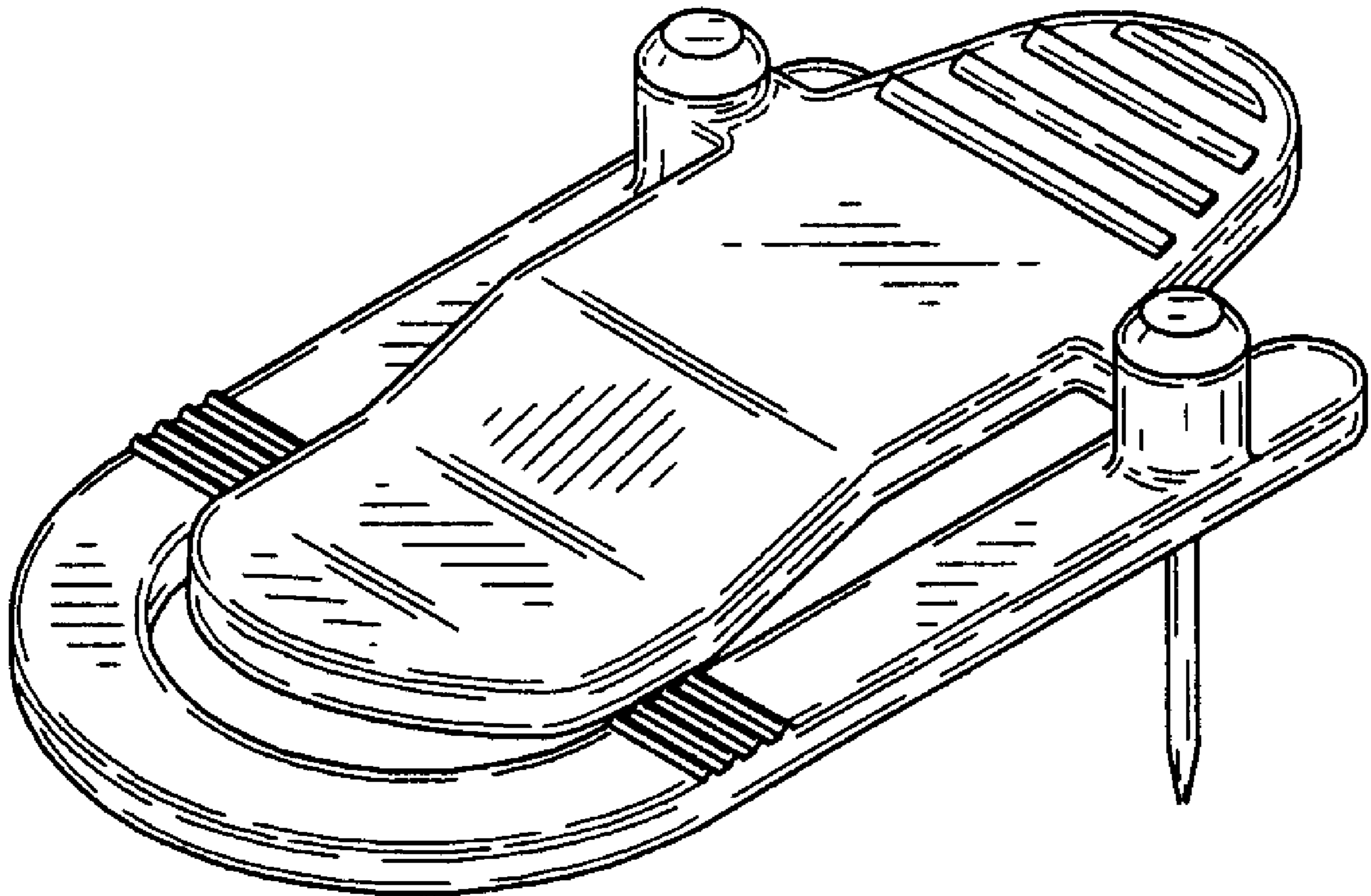
(57) **CLAIM**

The ornamental design for a clamping push pin, as shown and described.

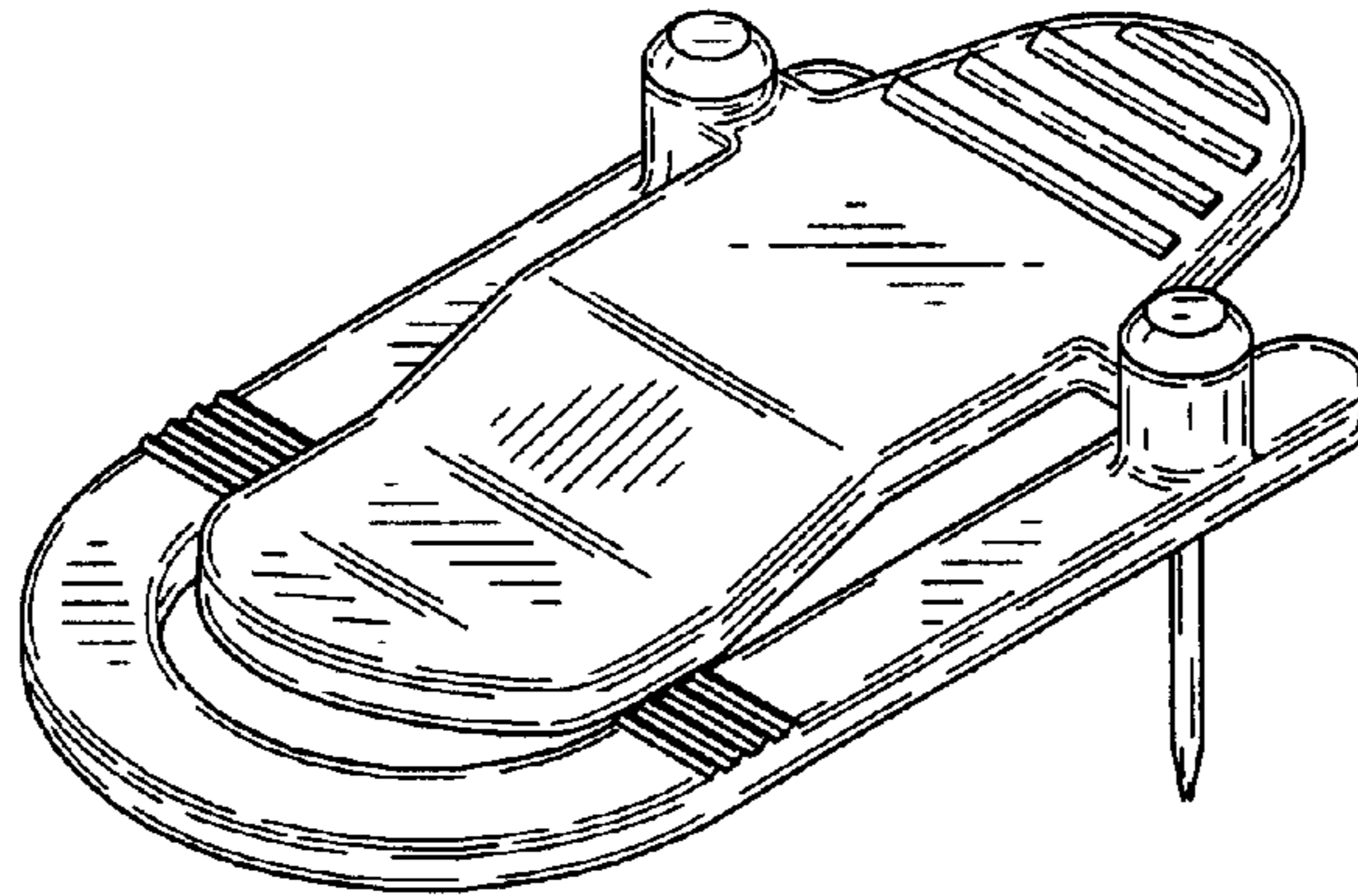
**DESCRIPTION**

FIG. 1 is a top perspective view of a clamping push pin showing my new design;  
FIG. 2 is a front elevational view;  
FIG. 3 is a rear elevational view;  
FIG. 4 is a right side elevational view;  
FIG. 5 is a top plan view; and,  
FIG. 6 is a bottom plan view thereof.

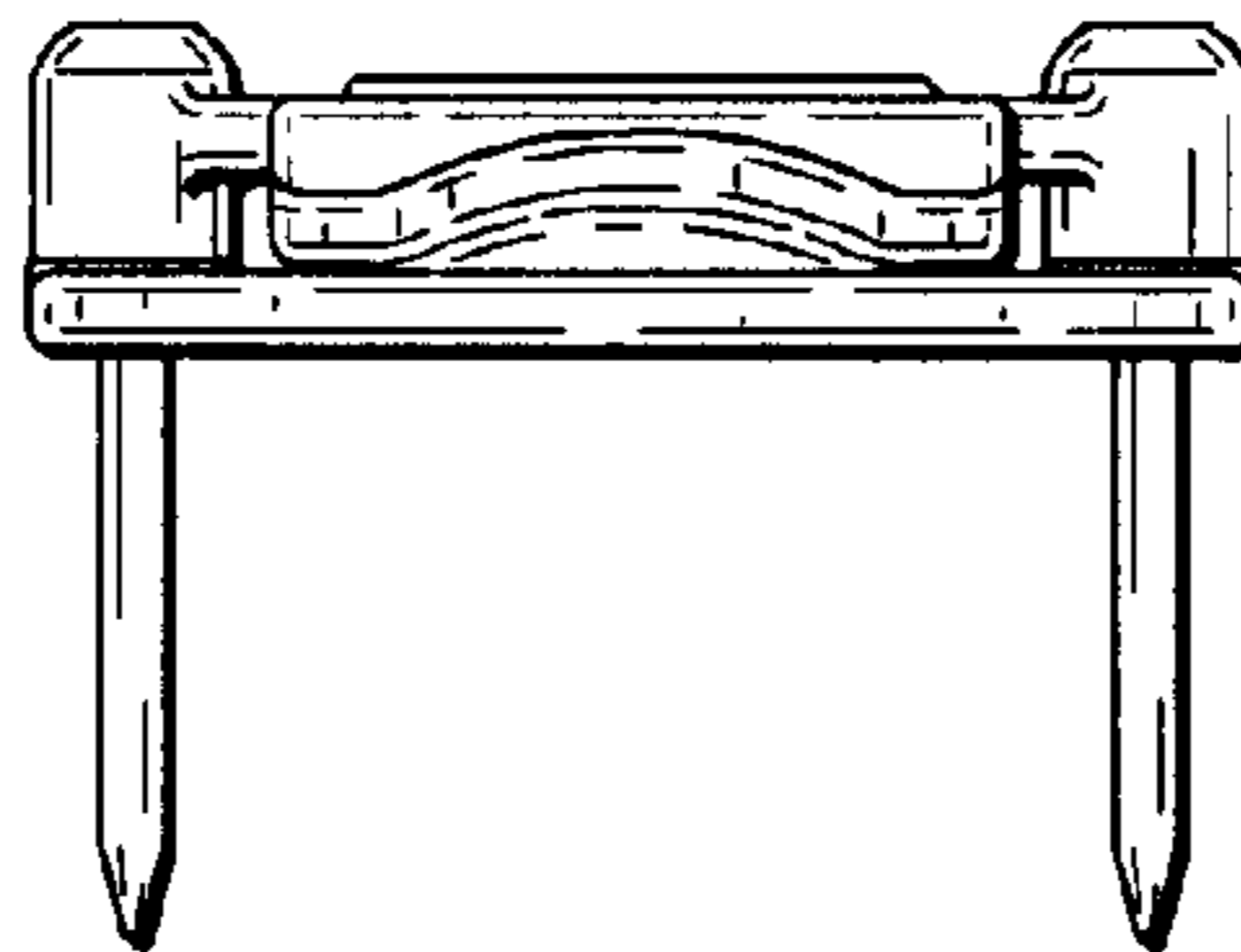
**1 Claim, 2 Drawing Sheets**



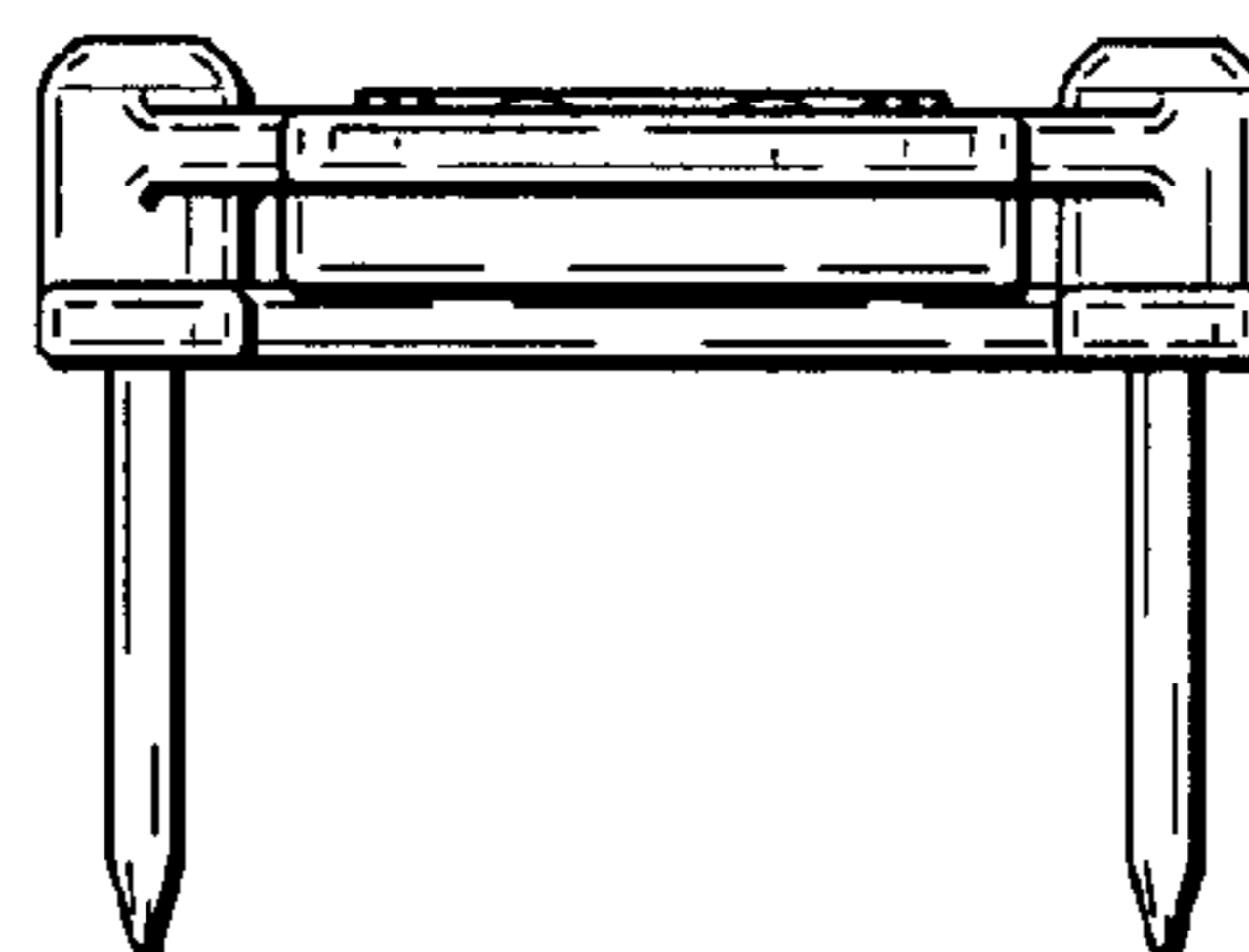
*FIG. 1*



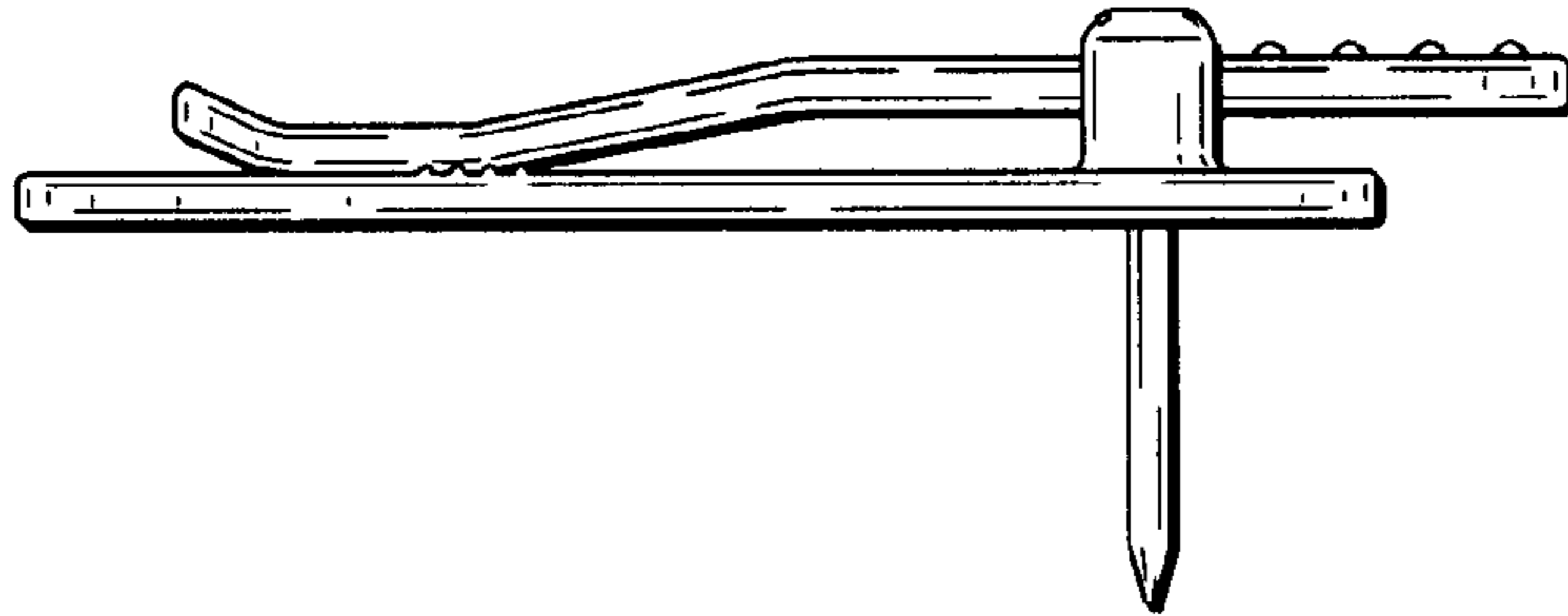
*FIG. 2*



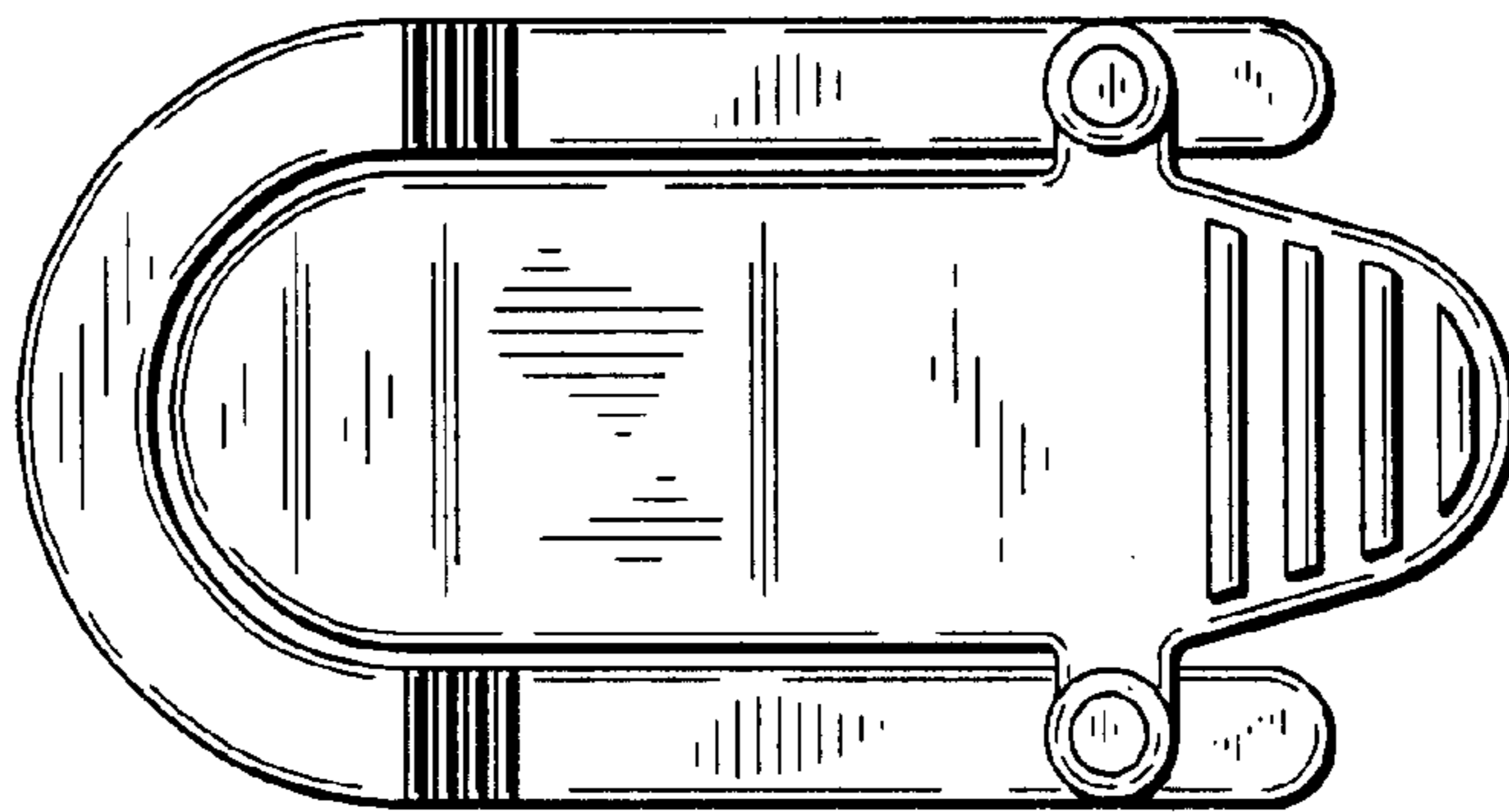
*FIG. 3*



*FIG. 4*



*FIG. 5*



*FIG. 6*

