



US00D464993S

(12) **United States Design Patent**
Rosen

(10) **Patent No.:** **US D464,993 S**

(45) **Date of Patent:** **** Oct. 29, 2002**

(54) **CLAMPING PUSH PIN**

(75) **Inventor:** **Lawrence I. Rosen**, Mendham, NJ
(US)

(73) **Assignee:** **Rose Art Industries, Inc.**, Livingston,
NJ (US)

(**) **Term:** **14 Years**

(21) **Appl. No.:** **29/153,923**

(22) **Filed:** **Jan. 14, 2002**

(51) **LOC (7) Cl.** **19-02**

(52) **U.S. Cl.** **D19/65; D8/395; D8/388;**
D19/86; D19/90

(58) **Field of Search** **D19/34, 35, 36,**
D19/65, 75, 86, 90, 91, 99, 100; D8/388-390,
394-395; 24/67 R, 67.1-67.11, 545-547,
555, 561, 563; 40/641; 248/216.1, 217.3

(56) **References Cited**

U.S. PATENT DOCUMENTS

- 1,247,912 A * 11/1917 Wardner 248/216.1
- 1,700,977 A * 2/1929 Butler 24/561
- 1,872,171 A * 8/1932 Panitzsch 24/67.11 X
- 3,995,820 A * 12/1976 Einhorn 248/216.1
- D312,657 S * 12/1990 Saffran D19/34

- 5,103,758 A * 4/1992 Clark 24/67 R X
- 5,148,581 A * 9/1992 Hartmann 24/351
- 5,179,765 A 1/1993 Sungberg
- 5,370,487 A 12/1994 Kracke
- 5,484,126 A * 1/1996 Kitchin 248/217.3
- 5,500,987 A 3/1996 Rosen
- 5,507,459 A 4/1996 Kiera
- 6,196,782 B1 3/2001 Wagner
- D452,881 S * 1/2002 Chien D19/65

* cited by examiner

Primary Examiner—Martie K. Holtje

(74) *Attorney, Agent, or Firm*—Allen N. Friedman;
McCarter & English, LLP

(57) **CLAIM**

I claim the ornamental design for a clamping push pin, as shown and described.

DESCRIPTION

FIG. 1 is a top perspective view of a clamping push pin showing my new design;
 FIG. 2 is a front elevational view;
 FIG. 3 is a rear elevational view;
 FIG. 4 is a right side elevational view;
 FIG. 5 is a top plan view; and,
 FIG. 6 is a bottom plan view thereof.

1 Claim, 2 Drawing Sheets

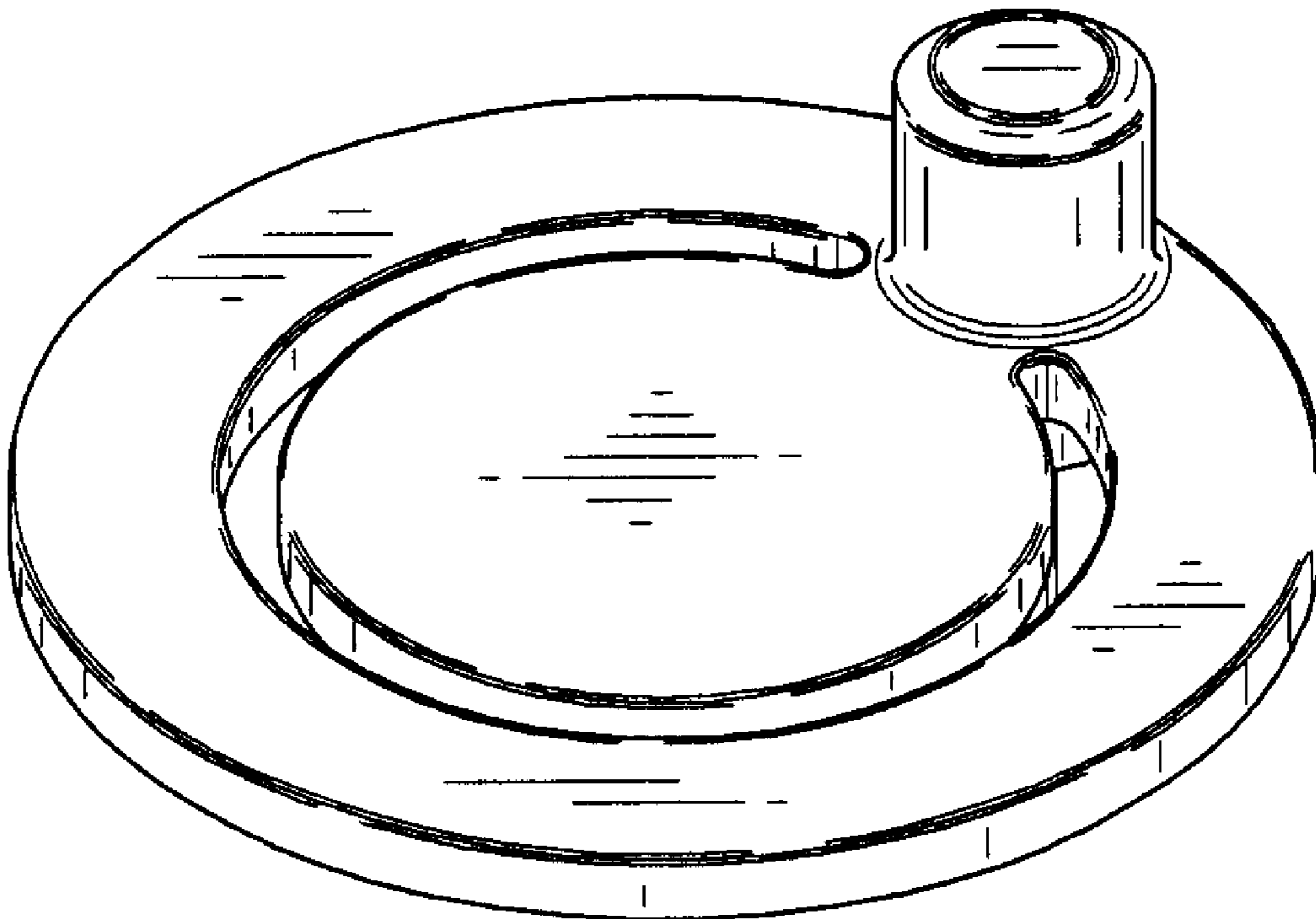


FIG. 1

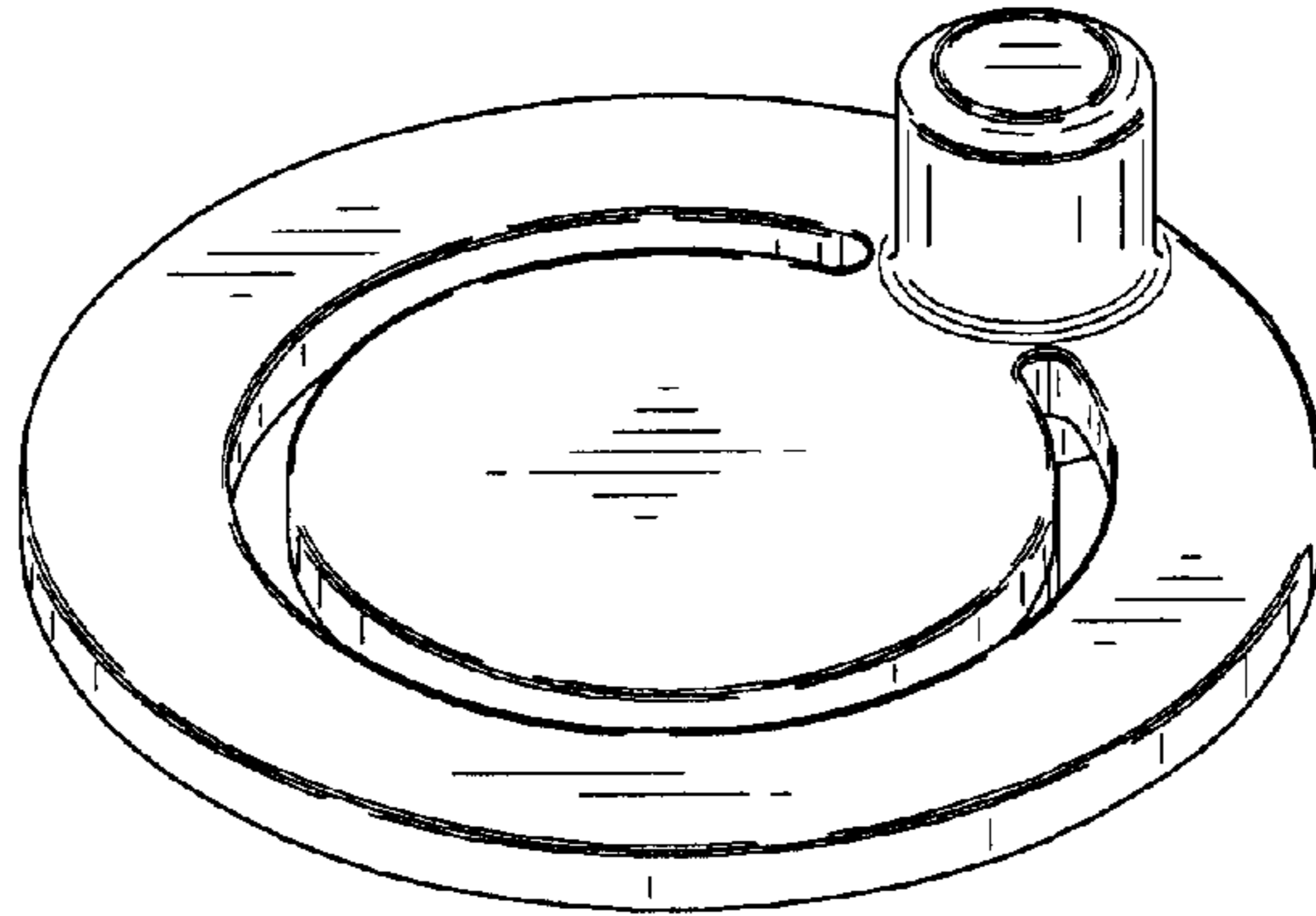


FIG. 2

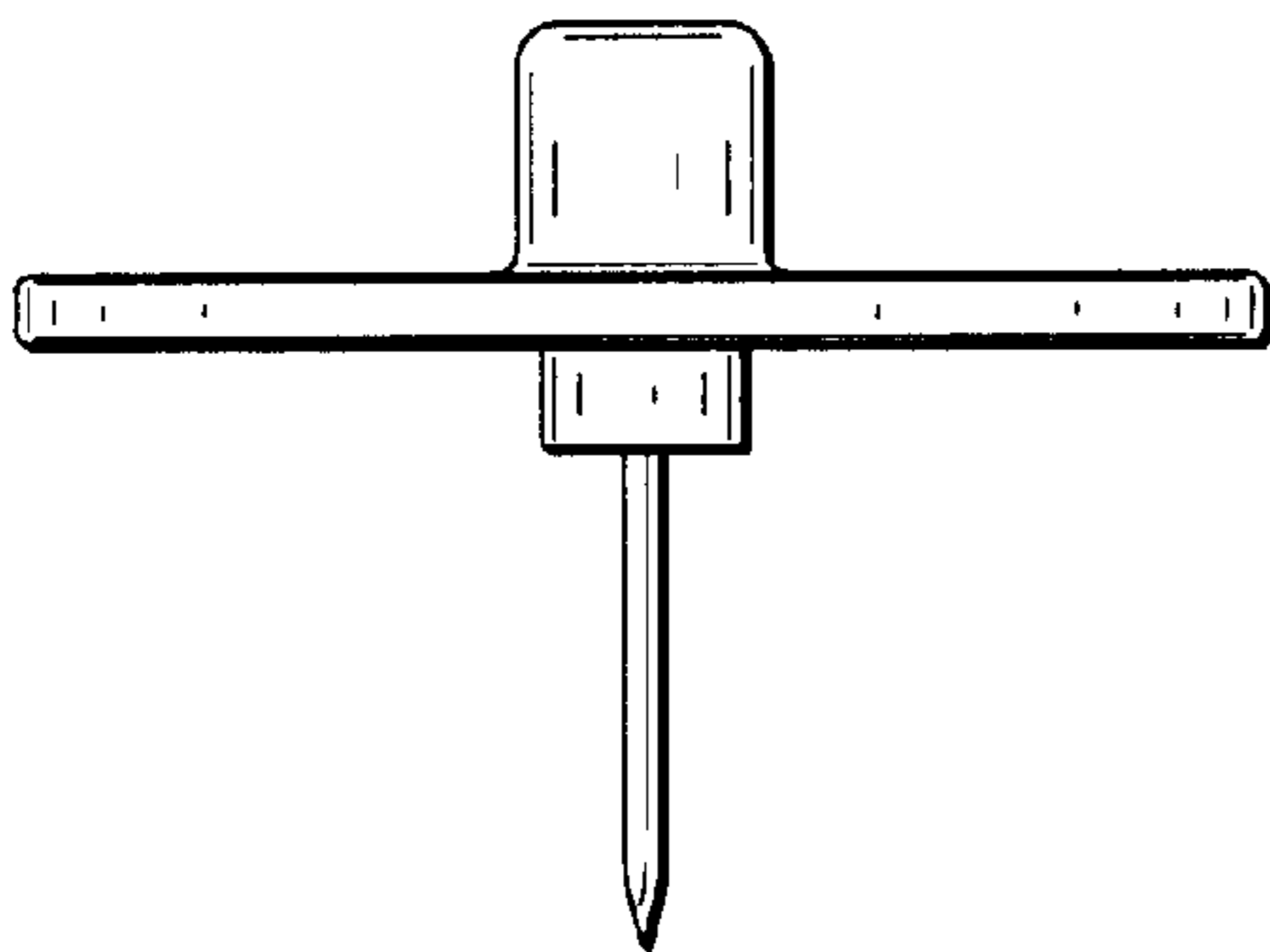


FIG. 3

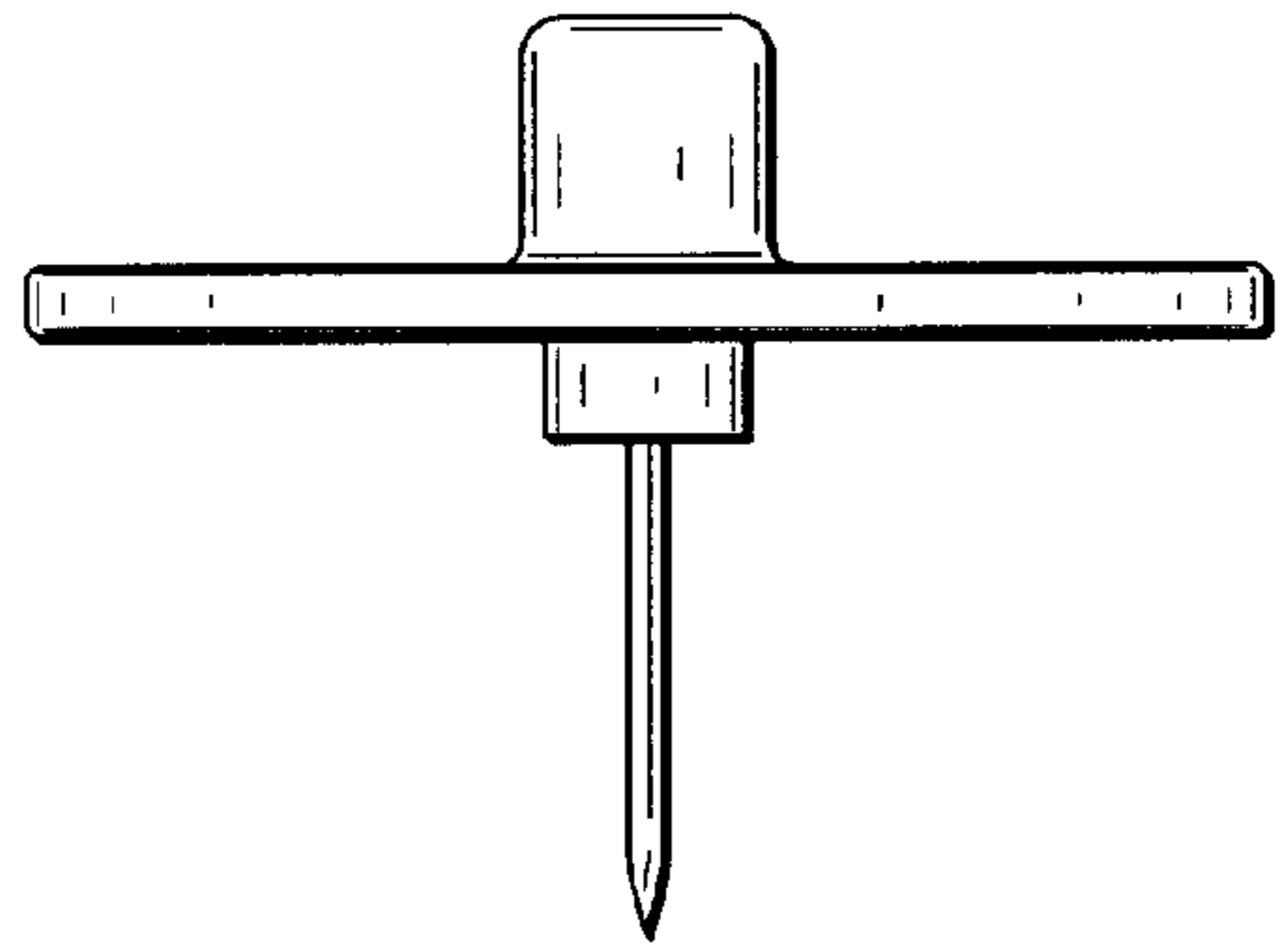


FIG. 4

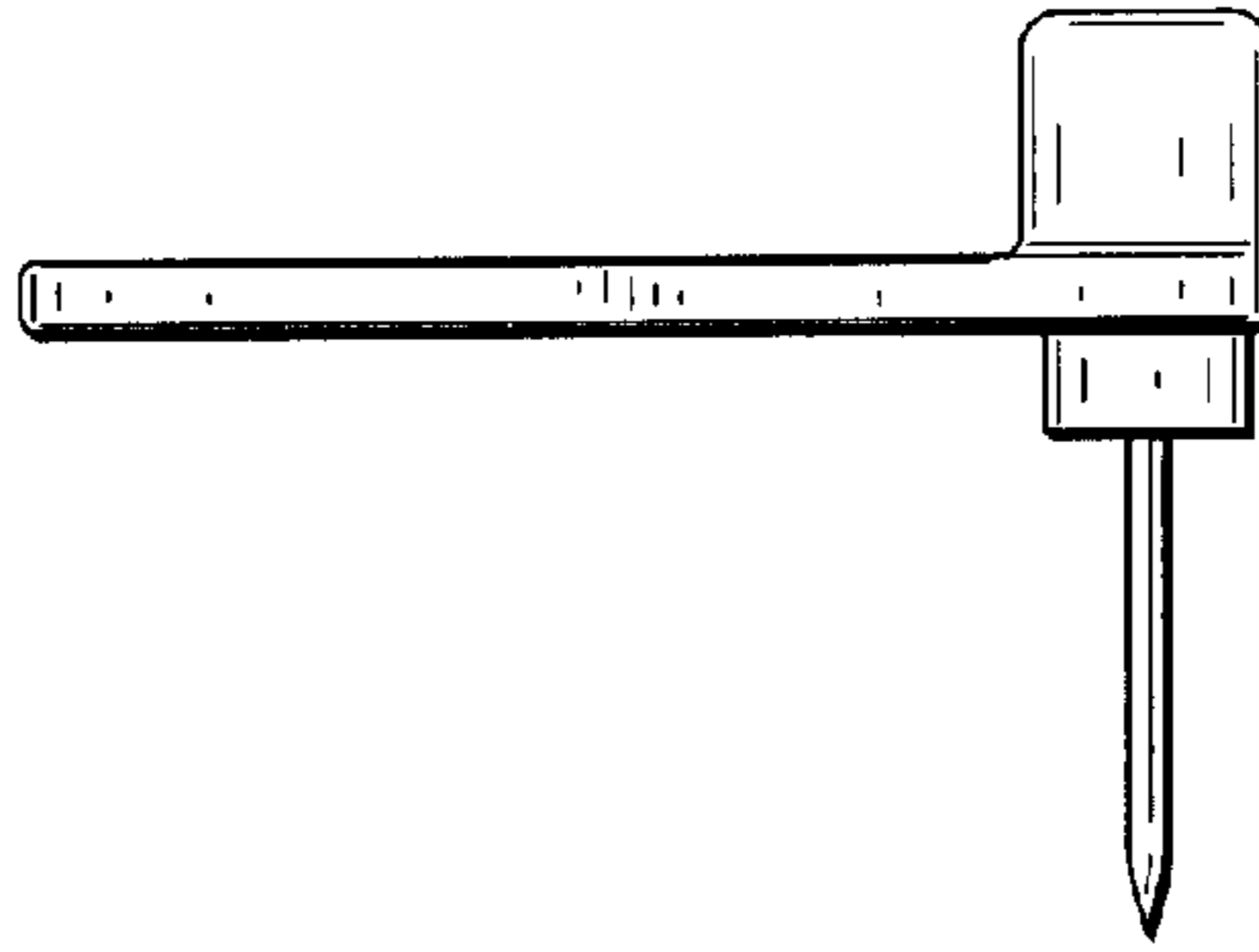


FIG. 5

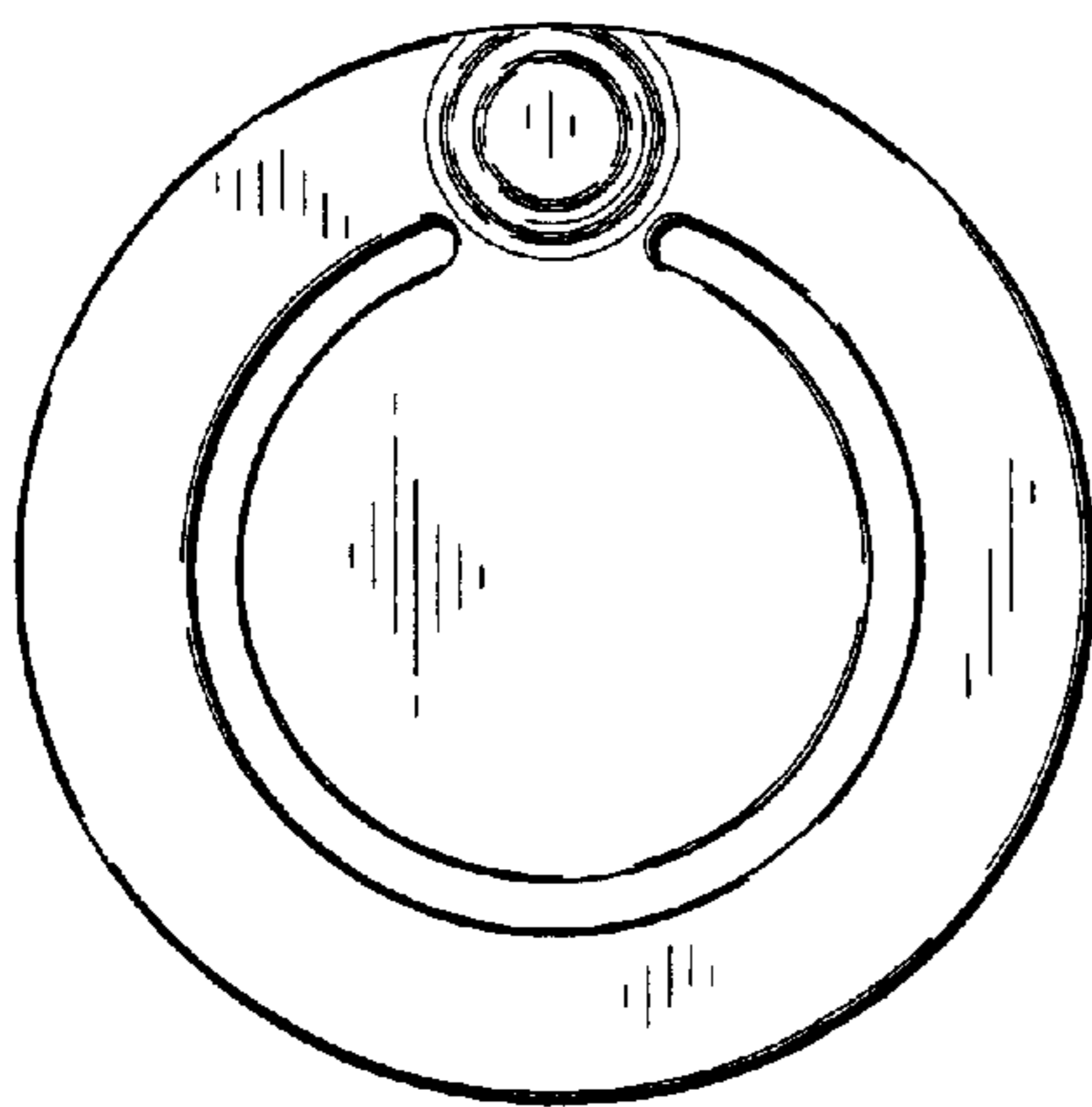


FIG. 6

