



US00D464990S

(12) **United States Design Patent**
Bodum

(10) **Patent No.:** **US D464,990 S**

(45) **Date of Patent:** **** Oct. 29, 2002**

(54) **CALCULATOR**

(75) **Inventor:** **Jørgen Bodum, St. Niklausen (CH)**

(73) **Assignee:** **PI-Design AG, Triengen (CH)**

(**) **Term:** **14 Years**

(21) **Appl. No.:** **29/151,719**

(22) **Filed:** **Dec. 11, 2001**

(30) **Foreign Application Priority Data**

Jun. 19, 2001 (DK) MA 2001 00613

(51) **LOC (7) Cl.** **18-01**

(52) **U.S. Cl.** **D18/7**

(58) **Field of Search** D18/7, 2, 6; 364/706-710;
235/61 R

(56) **References Cited**

U.S. PATENT DOCUMENTS

- 4,064,782 A * 12/1977 Laflamme 84/445
- 4,142,236 A * 2/1979 Martz et al. 700/92
- 4,680,455 A * 7/1987 Kuo 235/1 D

- D302,336 S * 7/1989 Erickson D18/2
- D302,549 S * 8/1989 Wright D14/345
- D304,826 S * 11/1989 Sutoh D14/436
- D310,095 S * 8/1990 Noguchi D18/7

* cited by examiner

Primary Examiner—Caron D. Veynar

(74) *Attorney, Agent, or Firm*—Nath & Associates PLLC;
Gary M. Nath; Marvin C. Berkowitz

(57) **CLAIM**

The ornamental design for a calculator, as shown and described.

DESCRIPTION

FIG. 1 is an oblique perspective view of the calculator;
 FIG. 2 is a right side view of the calculator, as shown in FIG. 1;
 FIG. 3 is a left side view of the calculator;
 FIG. 4 is a front side view of the calculator;
 FIG. 5 is a back side view of the calculator;
 FIG. 6 is a top view of the calculator; and,
 FIG. 7 is a bottom view of the calculator.

1 Claim, 3 Drawing Sheets

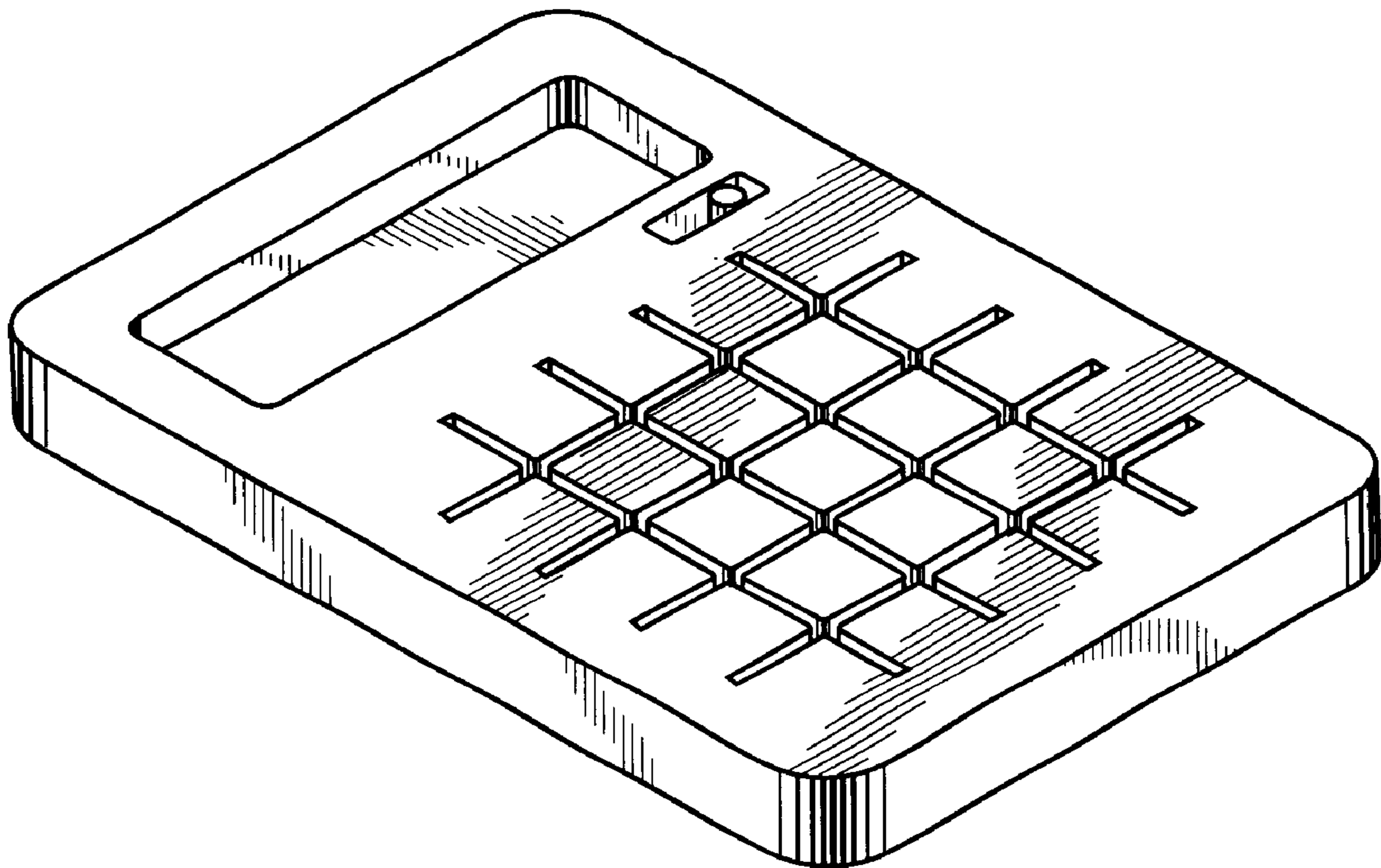


FIG. 1

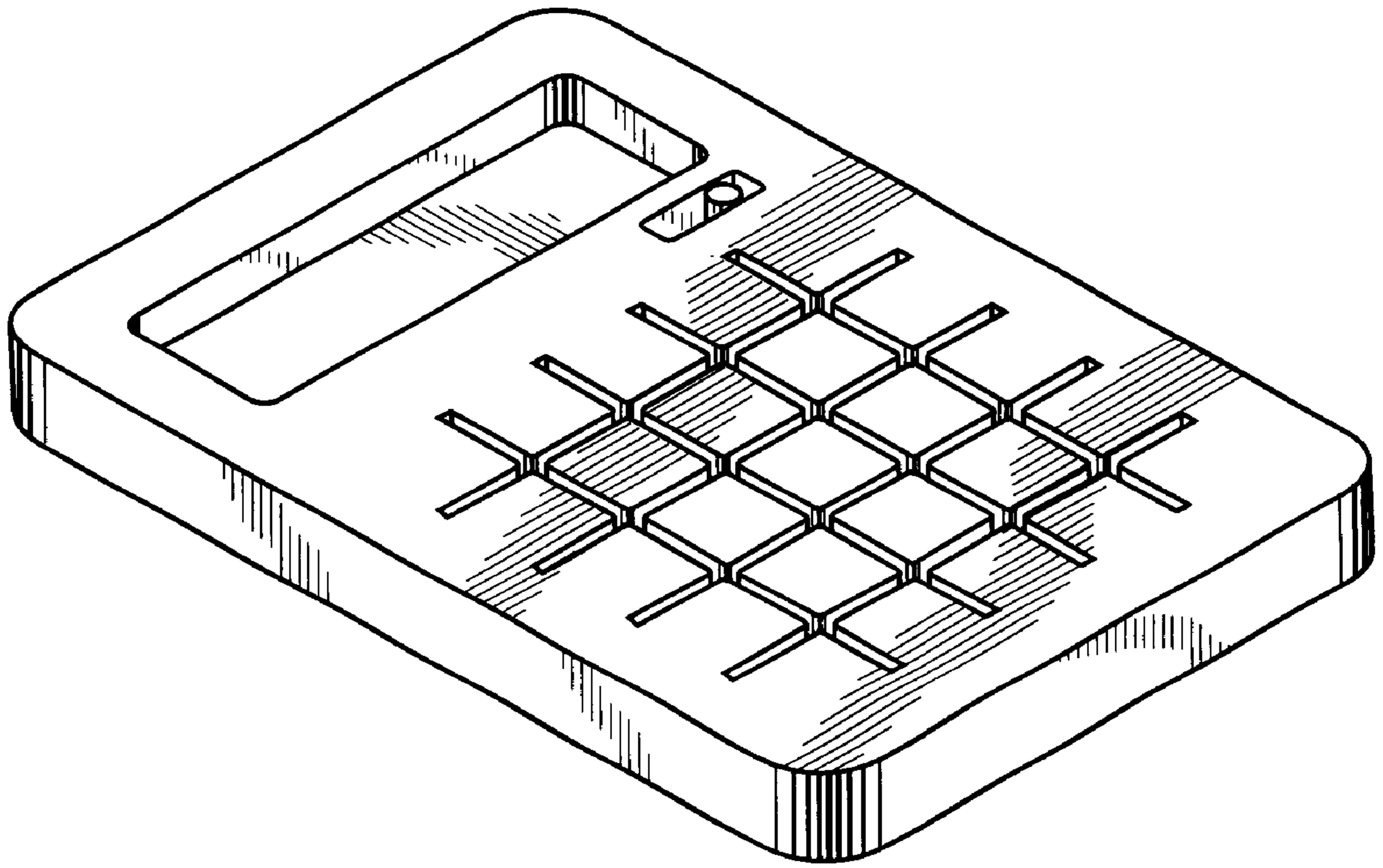


FIG. 2



FIG. 3



FIG. 4

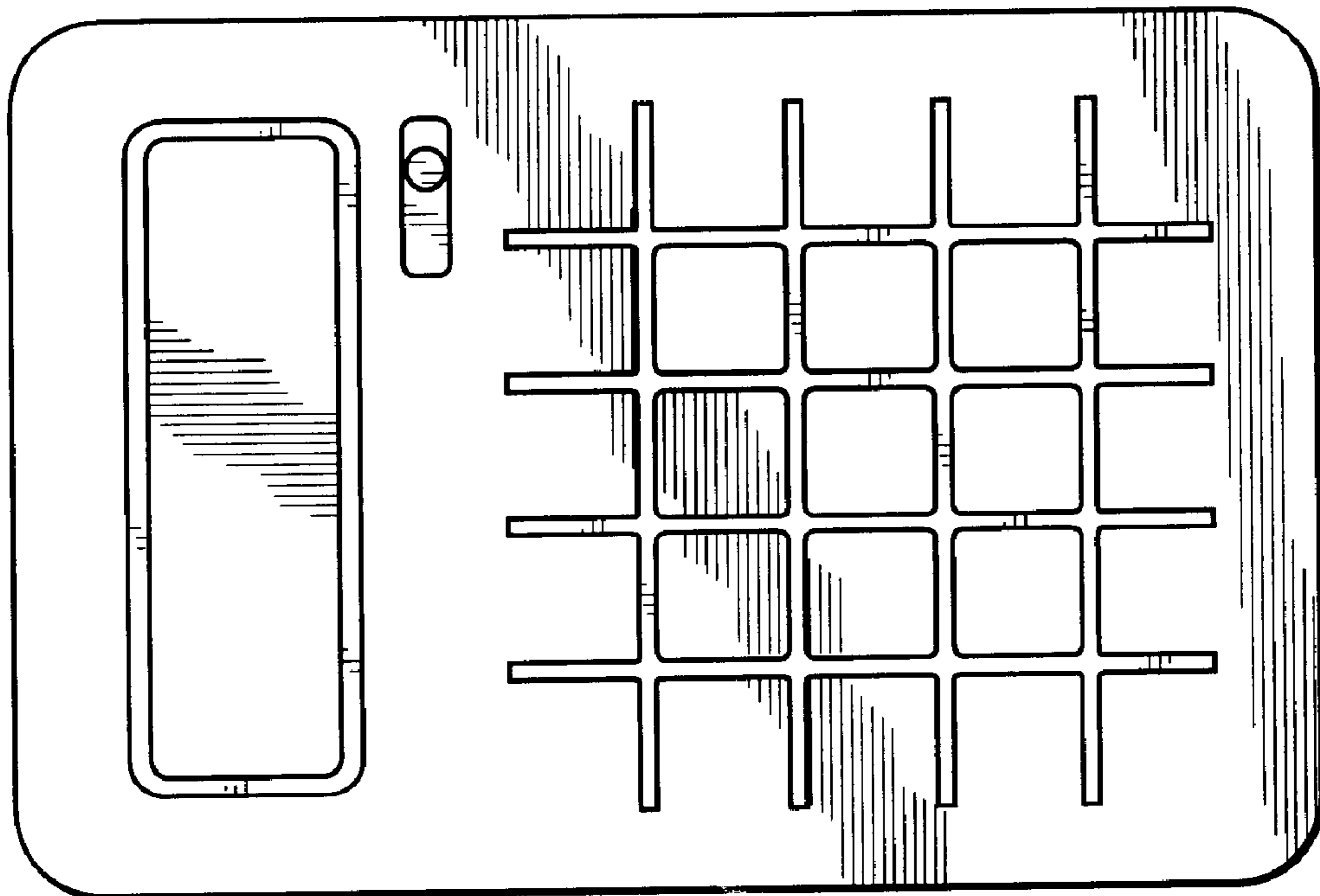


FIG. 5

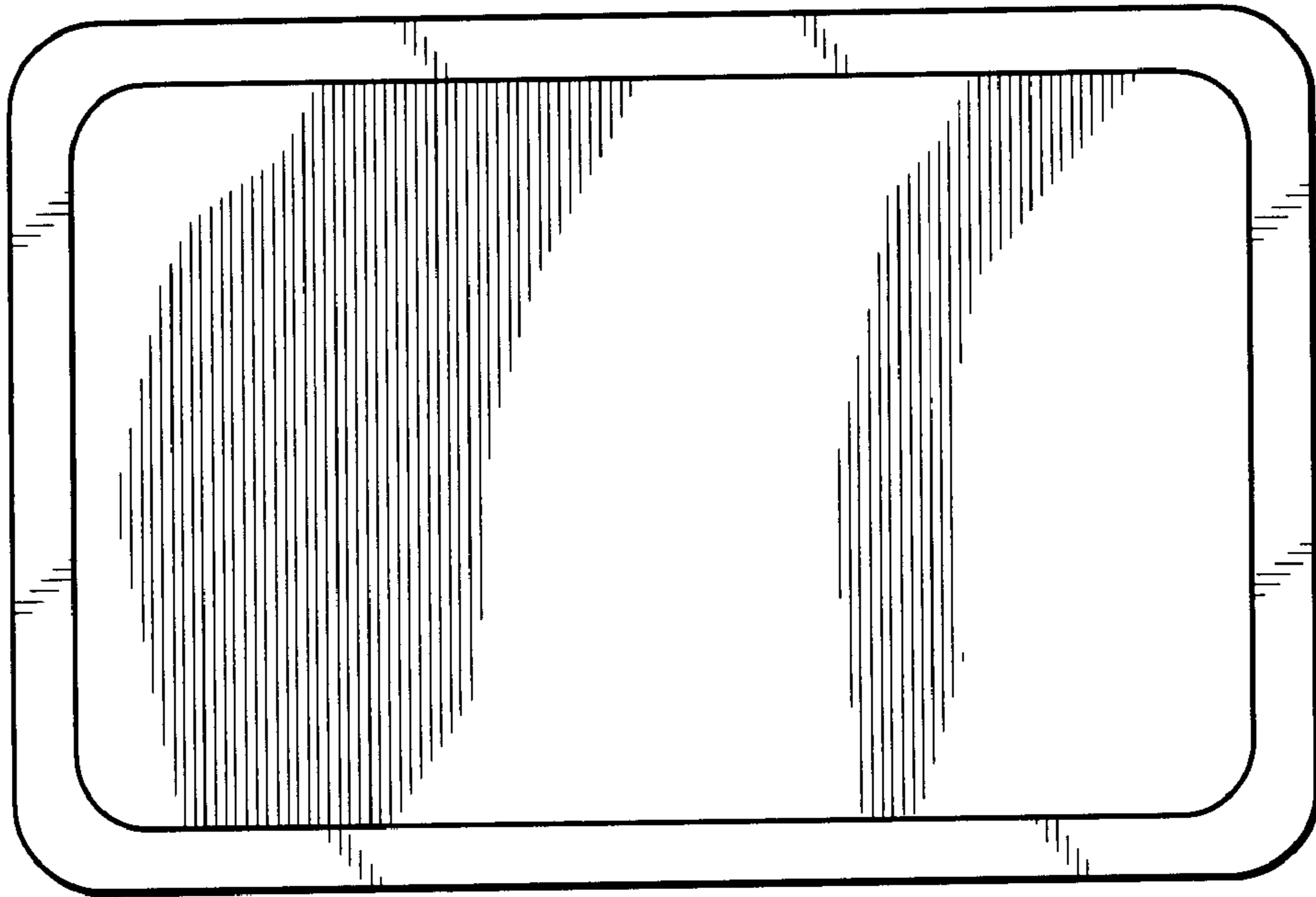


FIG. 6

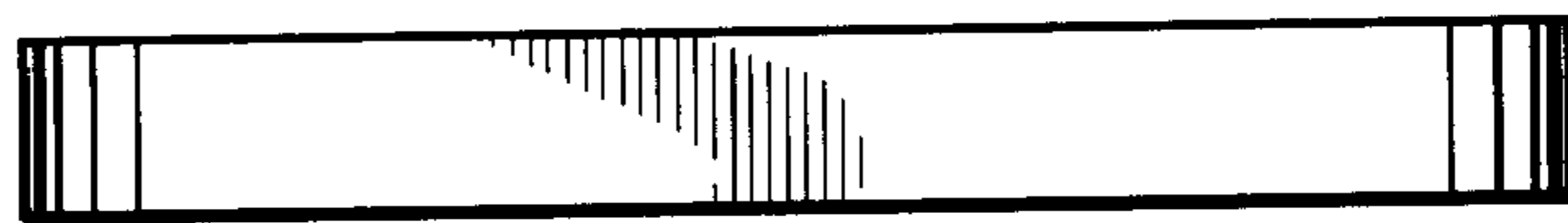


FIG. 7

