



US00D464986S

(12) **United States Design Patent**
Hagiwara

(10) **Patent No.:** **US D464,986 S**

(45) **Date of Patent:** **** Oct. 29, 2002**

- (54) **PERCUSSION INSTRUMENT**
- (75) Inventor: **Takashi Hagiwara**, Hamamatsu (JP)
- (73) Assignee: **Yamaha Corporation**, Shizuoka-ken (JP)
- (**) Term: **14 Years**
- (21) Appl. No.: **29/144,715**
- (22) Filed: **Jul. 9, 2001**
- (30) **Foreign Application Priority Data**
Jan. 16, 2001 (JP) 2001-000606
- (51) **LOC (7) Cl.** **17-04**
- (52) **U.S. Cl.** **D17/22**
- (58) **Field of Search** D17/22, 99; D21/405;
84/411 R, 413, 415, 418-420, 723-733,
DIG. 12
- (56) **References Cited**
U.S. PATENT DOCUMENTS
3,482,479 A * 12/1969 Della-Porta 84/411 R
D218,854 S * 9/1970 Thompson D17/22

- 3,620,118 A * 11/1971 Koishikawa 84/418
- 3,626,801 A * 12/1971 Moore 84/411 R
- 5,105,710 A * 4/1992 Rothmel 84/730
- 5,962,798 A * 10/1999 Meinel 84/418

* cited by examiner

Primary Examiner—Adir Aronovich
(74) *Attorney, Agent, or Firm*—Weingarten, Schurgin,
Gagnebin & Lebovici LLP

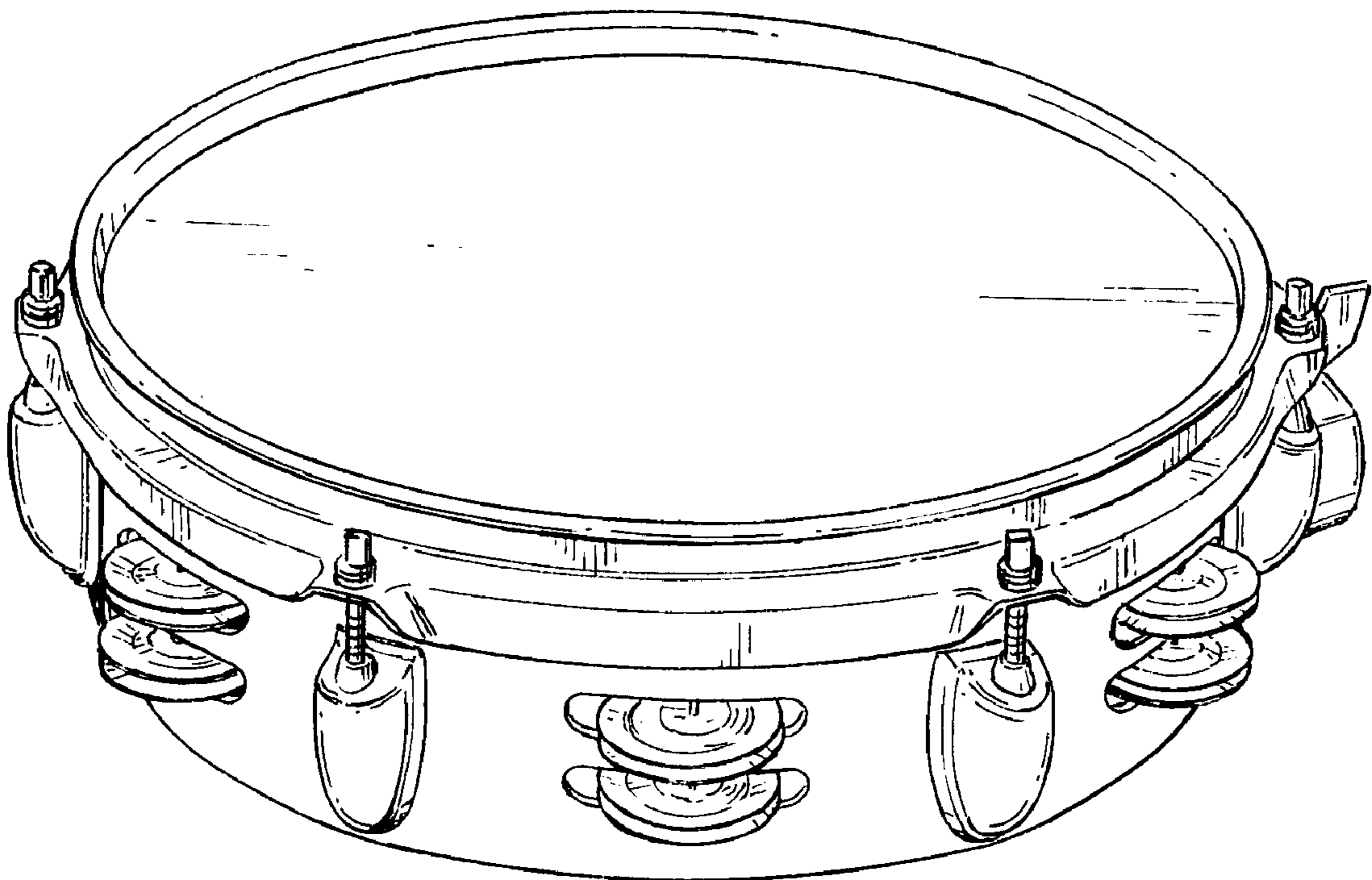
(57) **CLAIM**

The ornamental design for a percussion instrument, as shown and described.

DESCRIPTION

FIG. 1 is a perspective view of percussion instrument looking from the upper right-side direction thereof; FIG. 2 is a top view thereof; FIG. 3 is a front view thereof; FIG. 4 is a right side view thereof; FIG. 5 is a left side view thereof; FIG. 6 is a rear view thereof; and, FIG. 7 is a bottom view thereof.

1 Claim, 3 Drawing Sheets



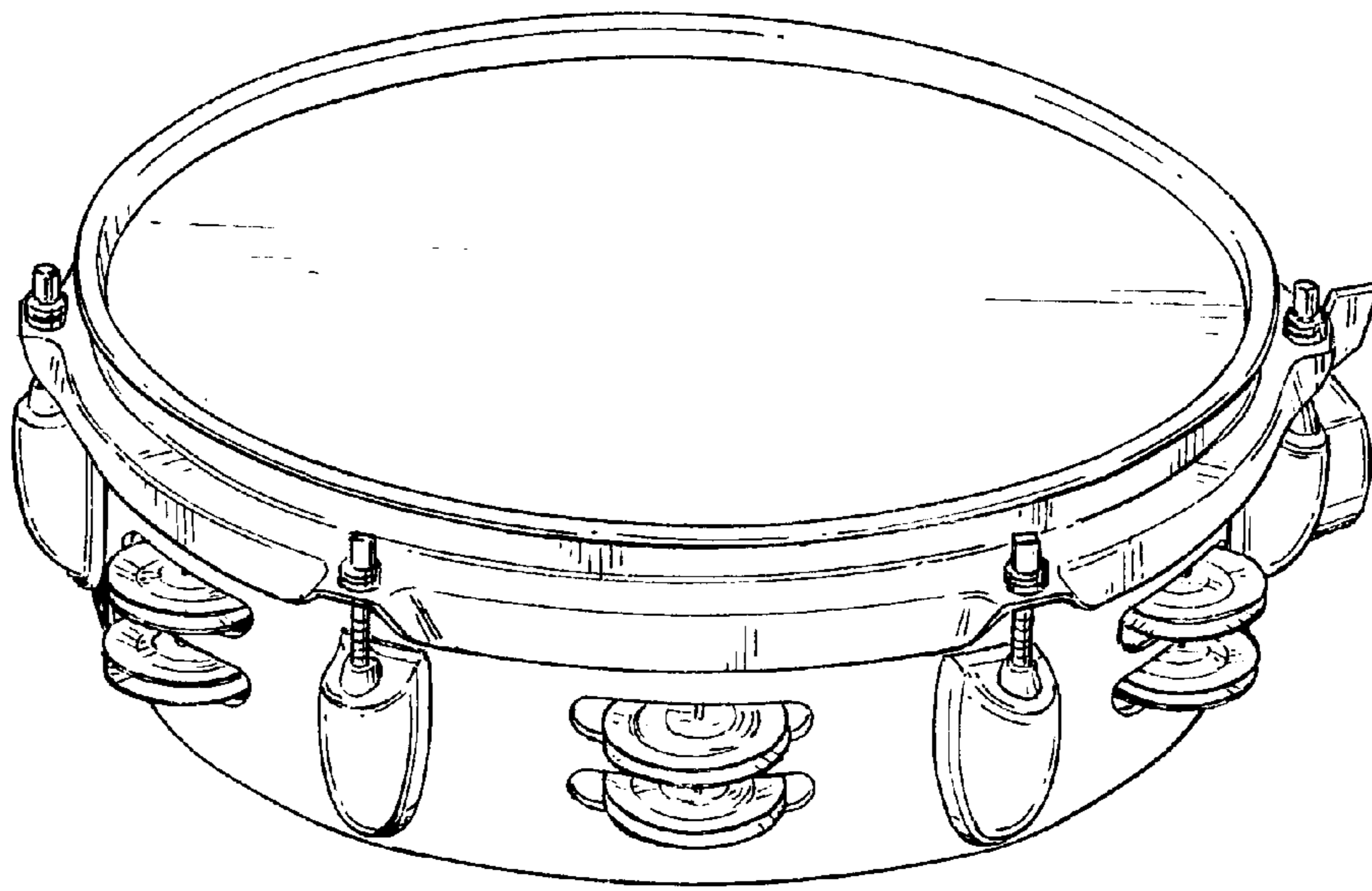


Fig. 1

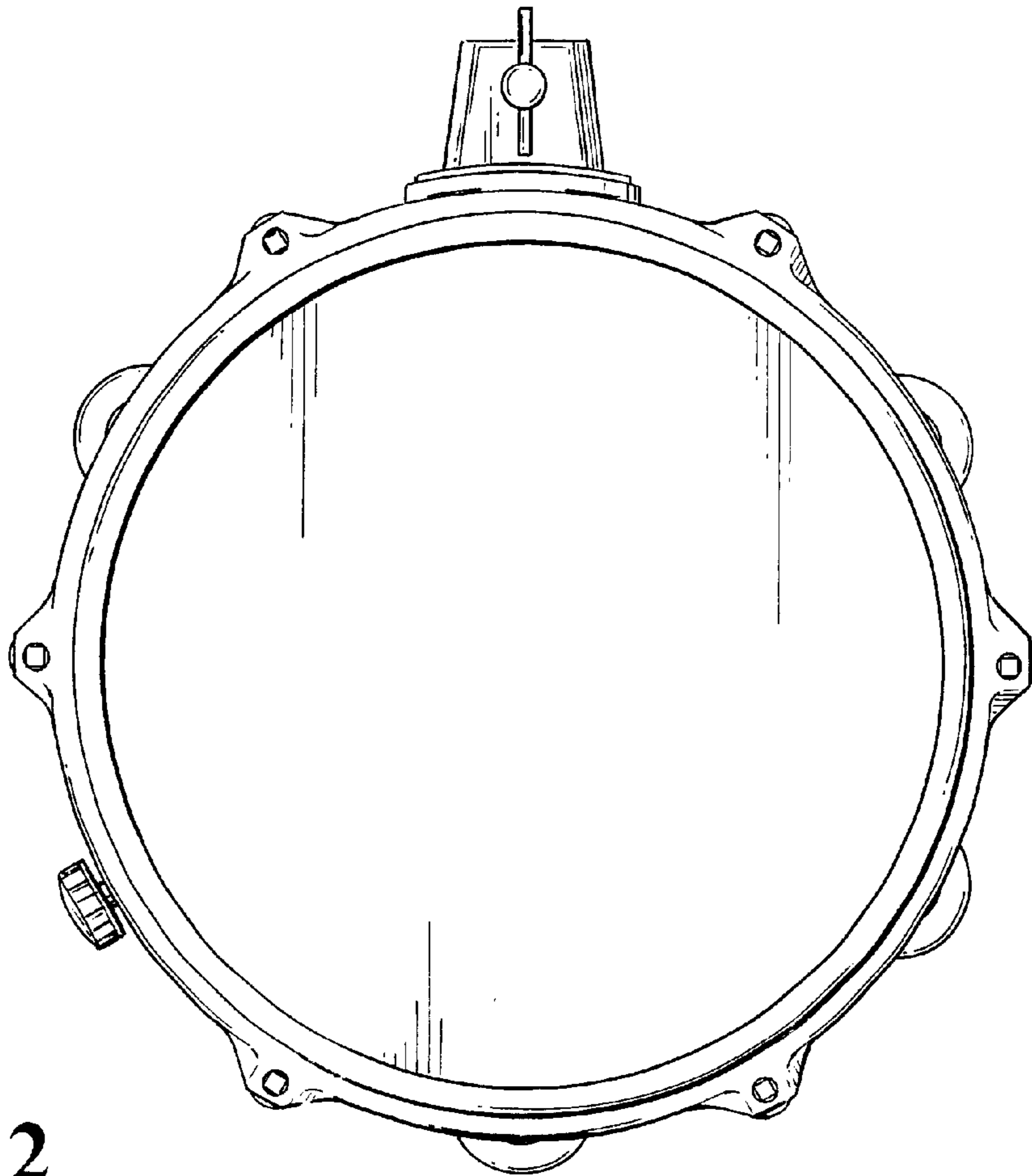


Fig. 2

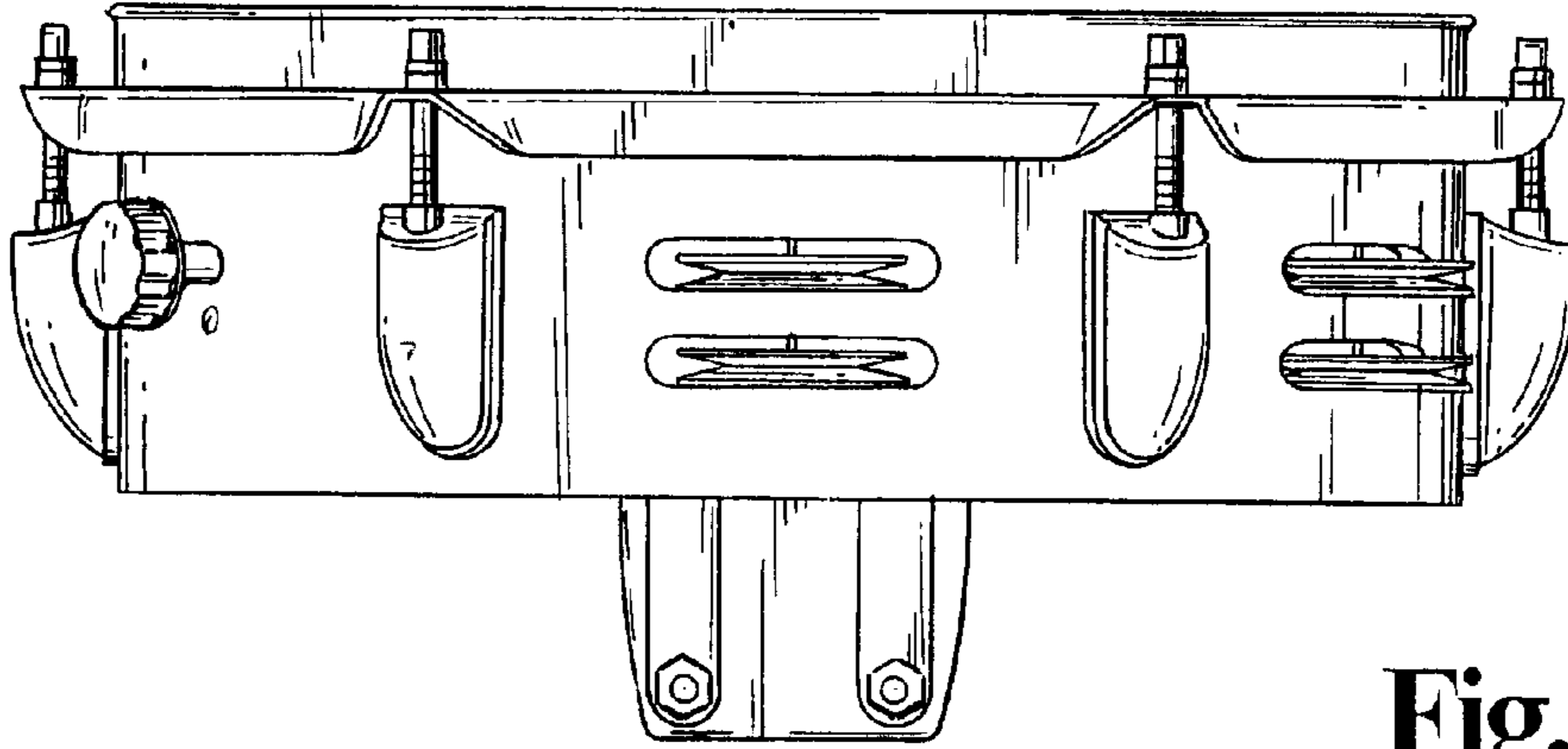


Fig. 3

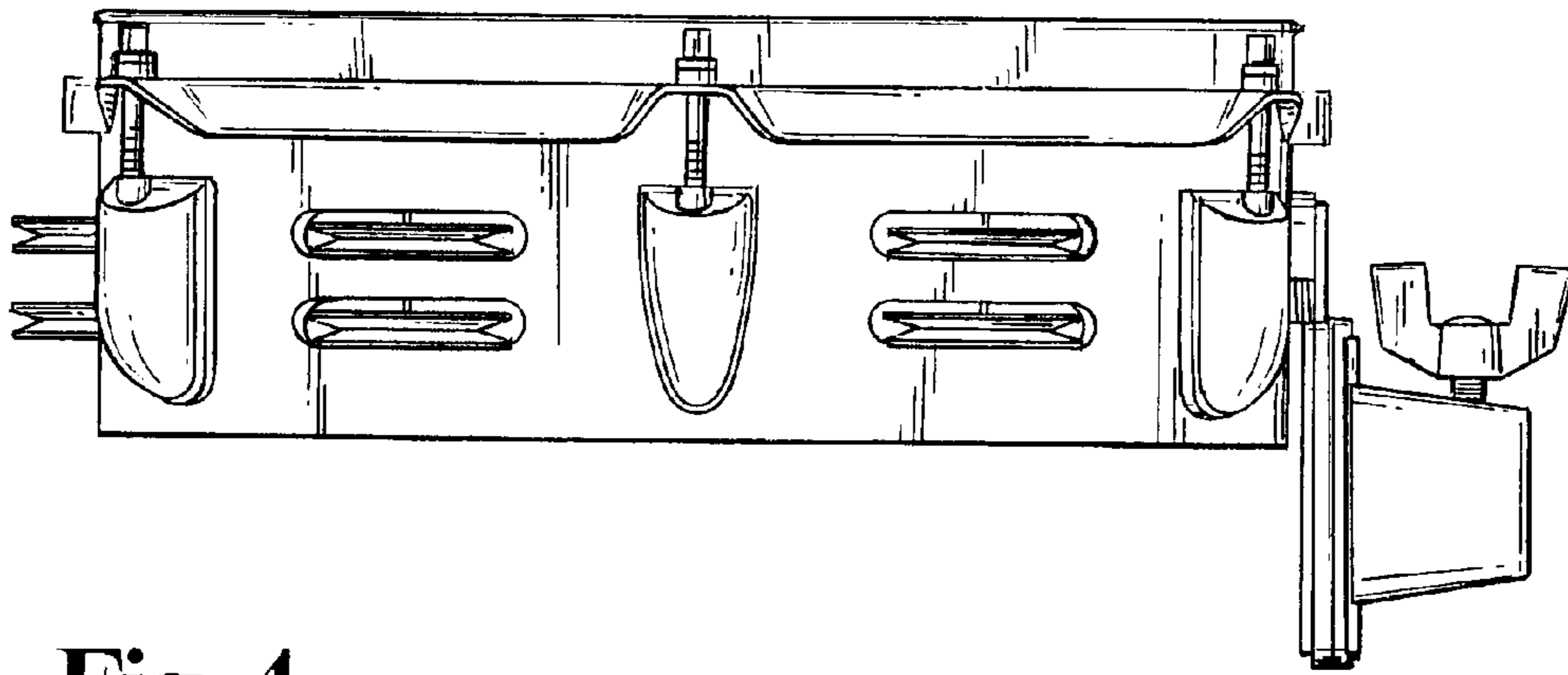


Fig. 4

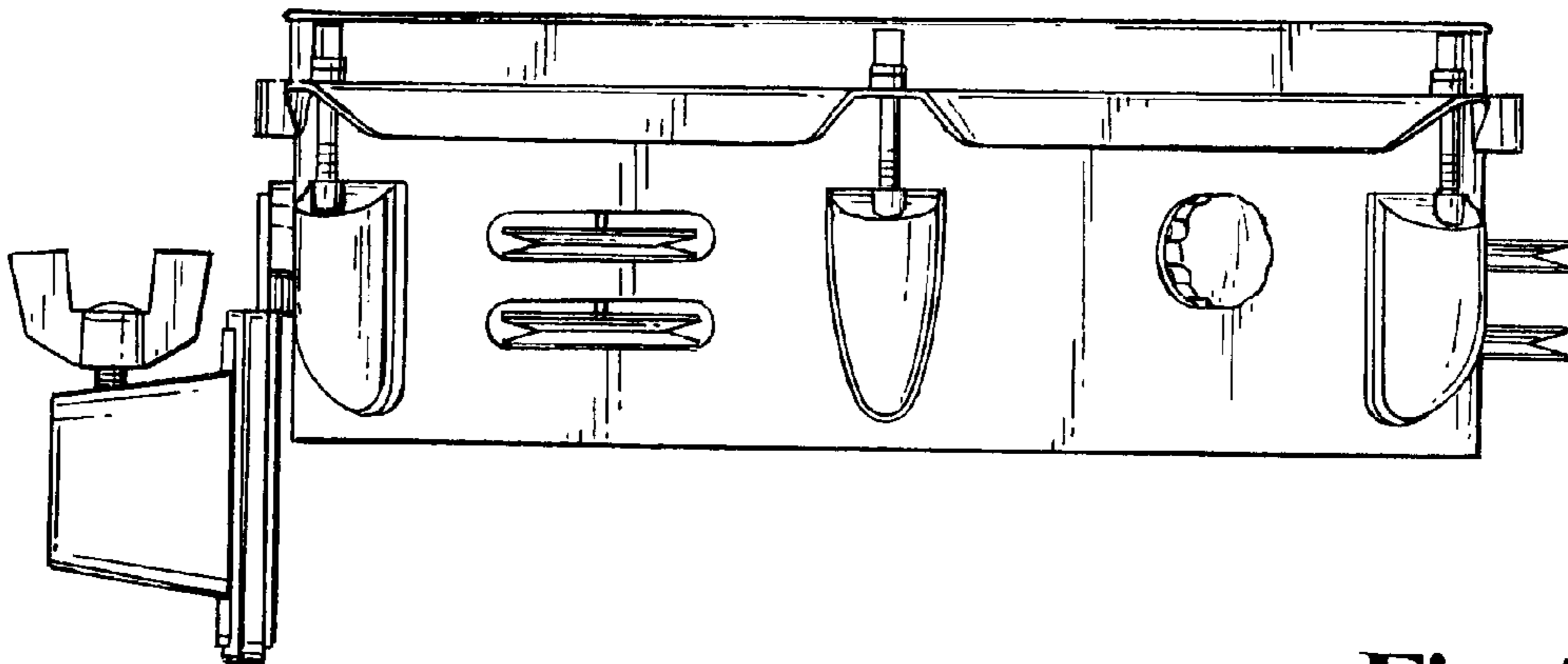


Fig. 5

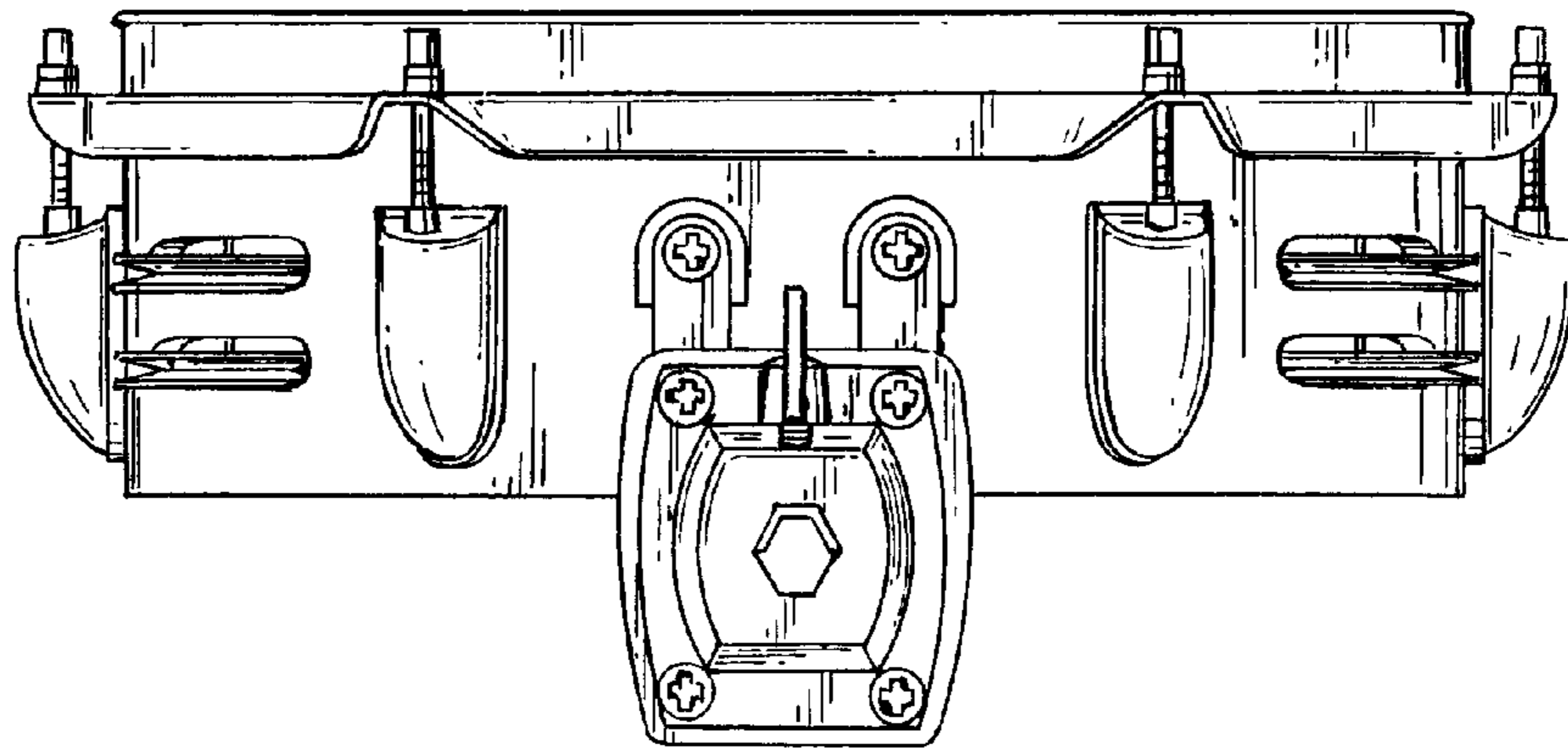


Fig. 6

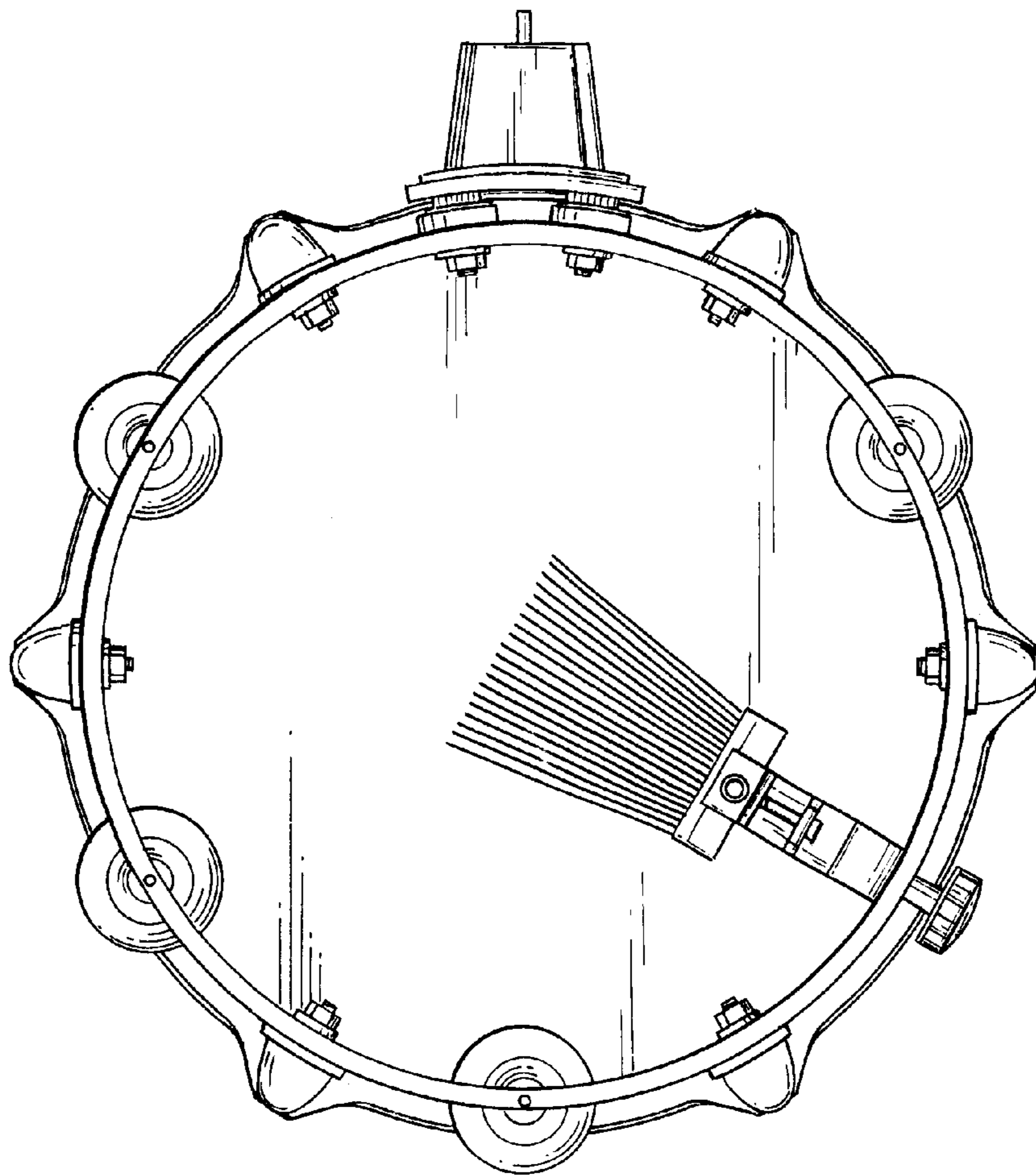


Fig. 7

UNITED STATES PATENT AND TRADEMARK OFFICE
CERTIFICATE OF CORRECTION

PATENT NO. : Des. 464,986 S
DATED : October 29, 2002
INVENTOR(S) : Takashi Hagiwara

Page 1 of 1

It is certified that error appears in the above-identified patent and that said Letters Patent is hereby corrected as shown below:

Title page,

Item [75], Inventor, "Hamamatsu (JP)" should read -- Hamamatsu-shi (JP) --.

Signed and Sealed this

Sixteenth Day of December, 2003

A handwritten signature in black ink, appearing to read "James E. Rogan", with a horizontal line underneath it.

JAMES E. ROGAN

Director of the United States Patent and Trademark Office