



US00D464980S

(12) **United States Design Patent**
Inaba

(10) **Patent No.:** **US D464,980 S**

(45) **Date of Patent:** **** *Oct. 29, 2002**

(54) **DIGITAL CAMERA**

(75) **Inventor:** **Toshiya Inaba, Tokyo (JP)**

(73) **Assignee:** **Asahi Kogaku Kogyo Kabushiki Kaisha, Tokyo (JP)**

(*) **Notice:** This patent is subject to a terminal disclaimer.

(**) **Term:** **14 Years**

(21) **Appl. No.:** **29/132,714**

(22) **Filed:** **Nov. 16, 2000**

(30) **Foreign Application Priority Data**

May 18, 2000 (JP) 2000-013171

(51) **LOC (7) Cl.** **16-01**

(52) **U.S. Cl.** **D16/202**

(58) **Field of Search** **D16/200-206, D16/208, 209, 217, 218; 396/60, 535, 536-541; 348/373-376; 358/909.1**

(56) **References Cited**

U.S. PATENT DOCUMENTS

4,924,248 A * 5/1990 Taniguchi et al. 396/60

D418,851 S	*	1/2000	Goto et al.	D16/202
D431,583 S		10/2000	Matsuda	D16/202
D431,830 S	*	10/2000	Koinuma	D16/209
D432,152 S	*	10/2000	Watanabe	D16/209
D438,228 S	*	2/2001	Hamamura	D16/209

* cited by examiner

Primary Examiner—Adir Aronovich
(74) *Attorney, Agent, or Firm*—Swidler Berlin Shereff & Friedman, LLP

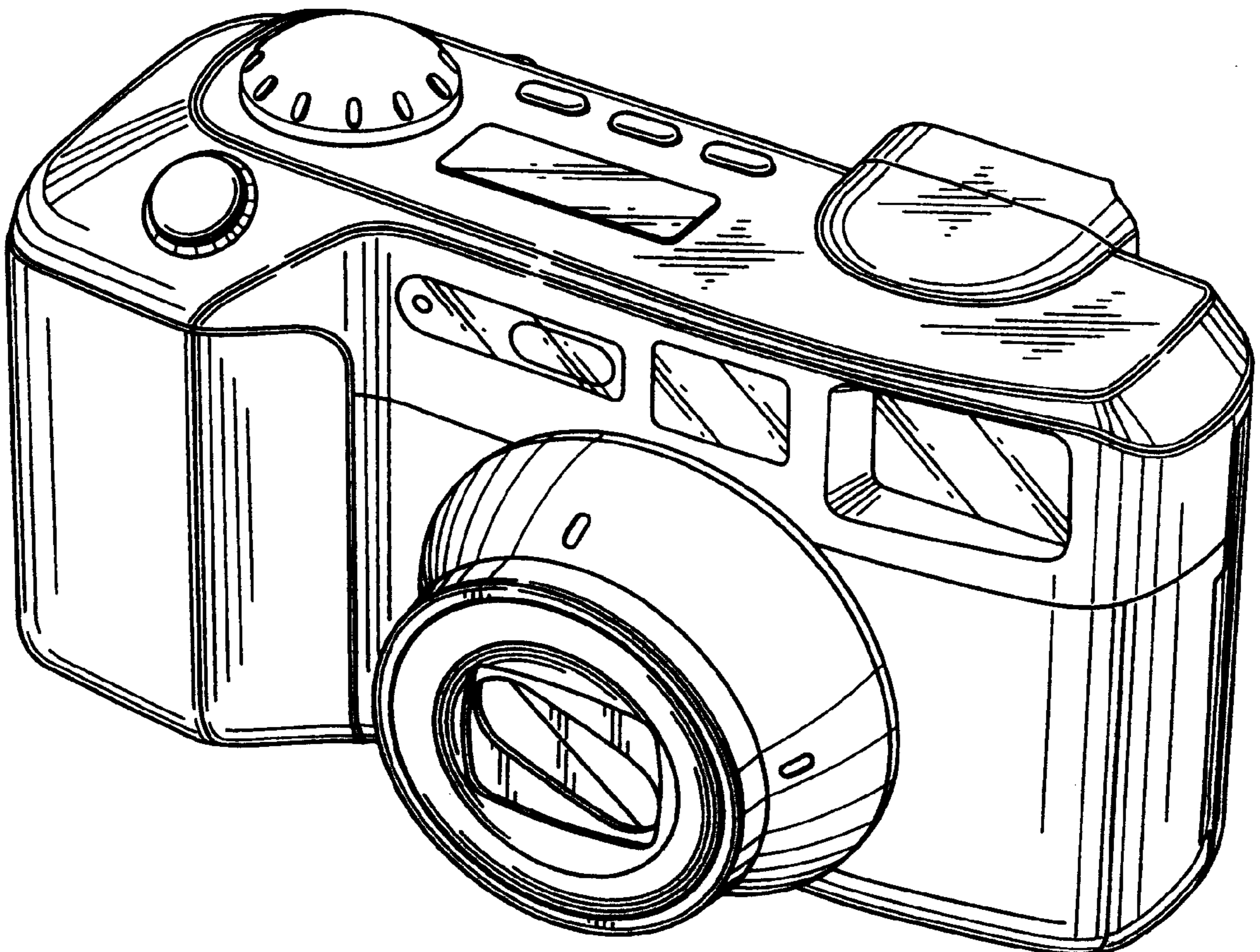
(57) **CLAIM**

The ornamental design for the digital camera, as shown.

DESCRIPTION

FIG. 1 is a perspective view of my new design;
FIG. 2 is a front view thereof;
FIG. 3 is a rear view thereof;
FIG. 4 is a right side elevational view thereof;
FIG. 5 is a left side elevational view thereof;
FIG. 6 is a top plan view thereof;
FIG. 7 is a bottom plan view thereof; and,
FIG. 8 is a top plan view with the lens in an extended position.

1 Claim, 8 Drawing Sheets



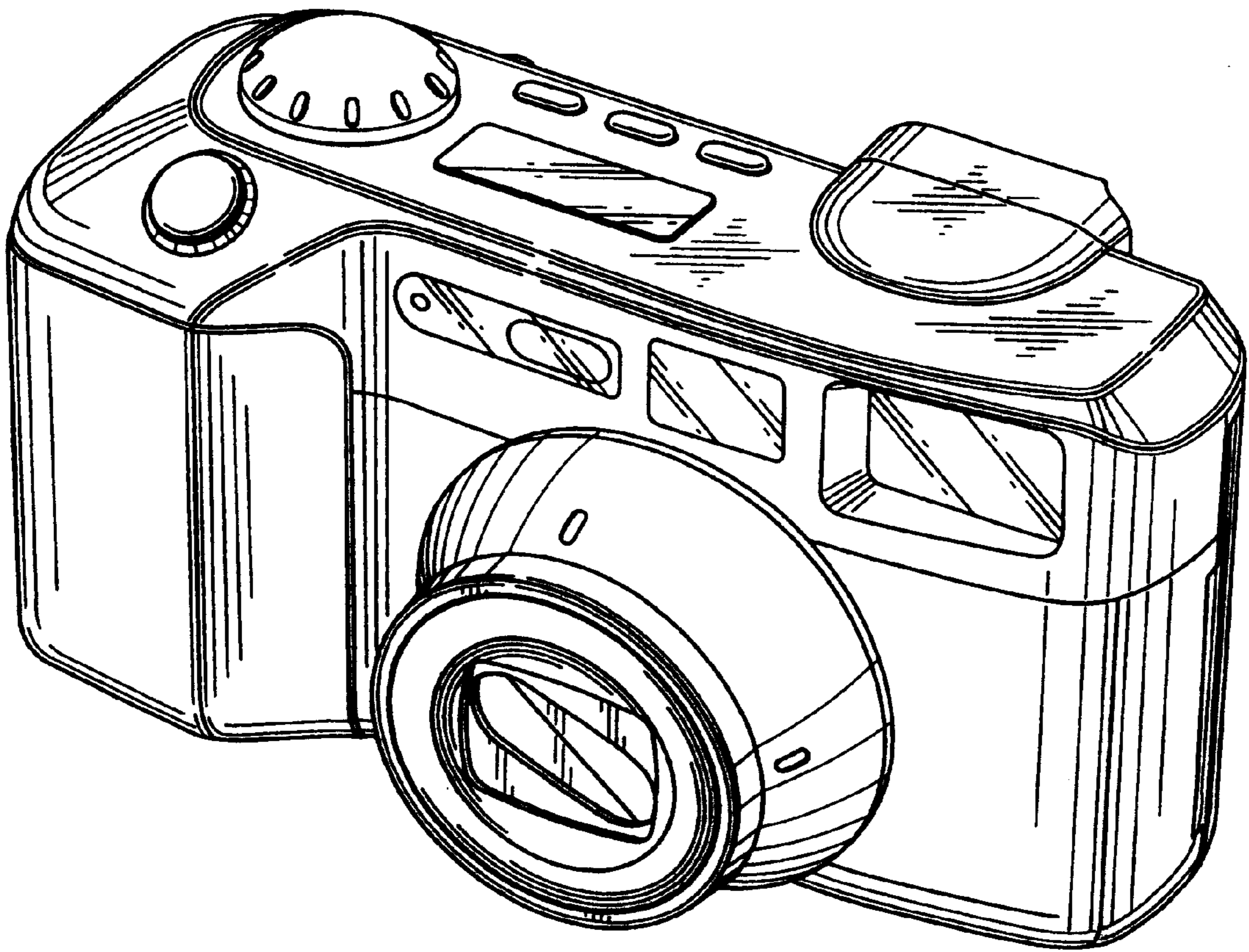


FIG. 1

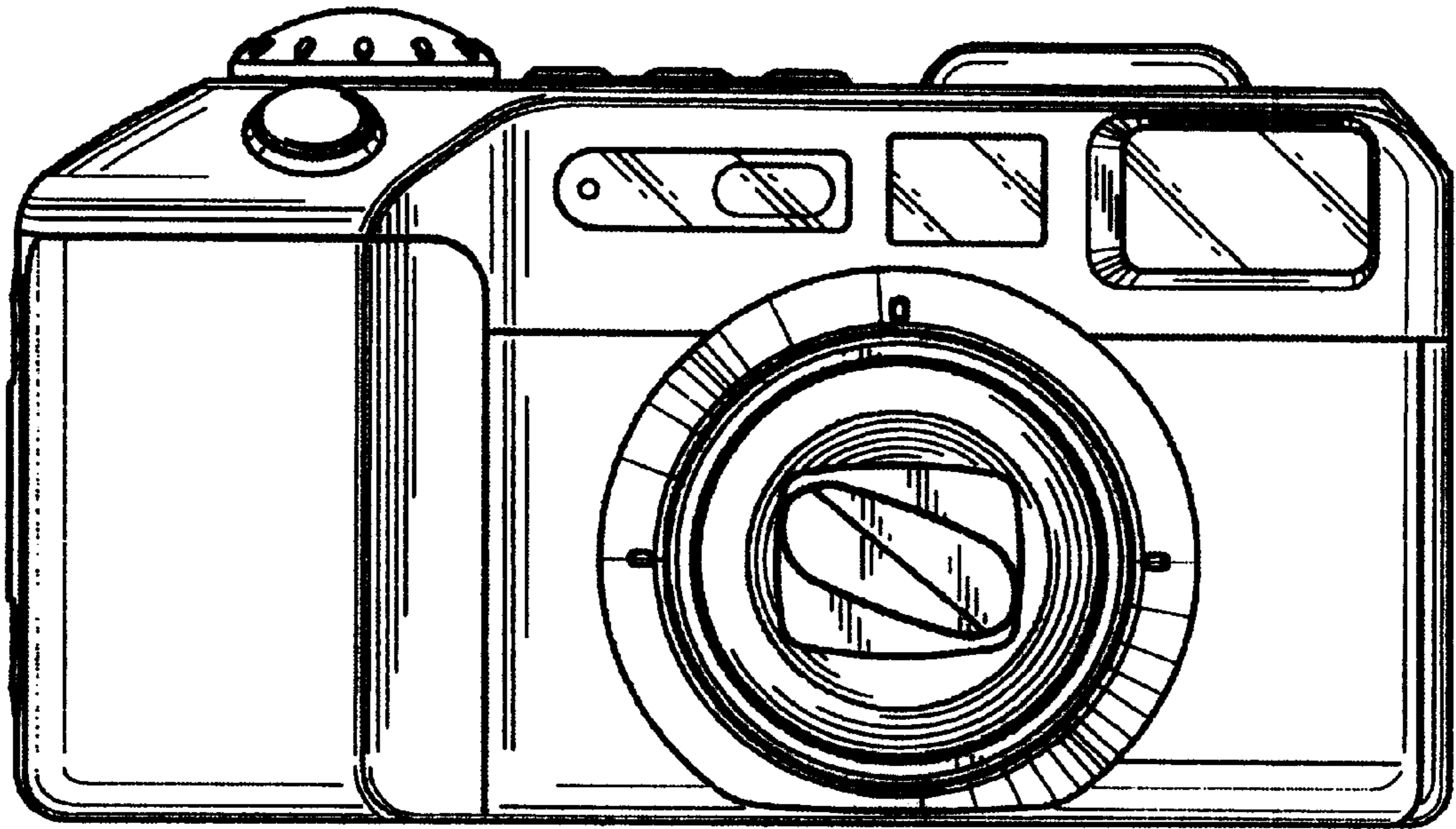


FIG. 2

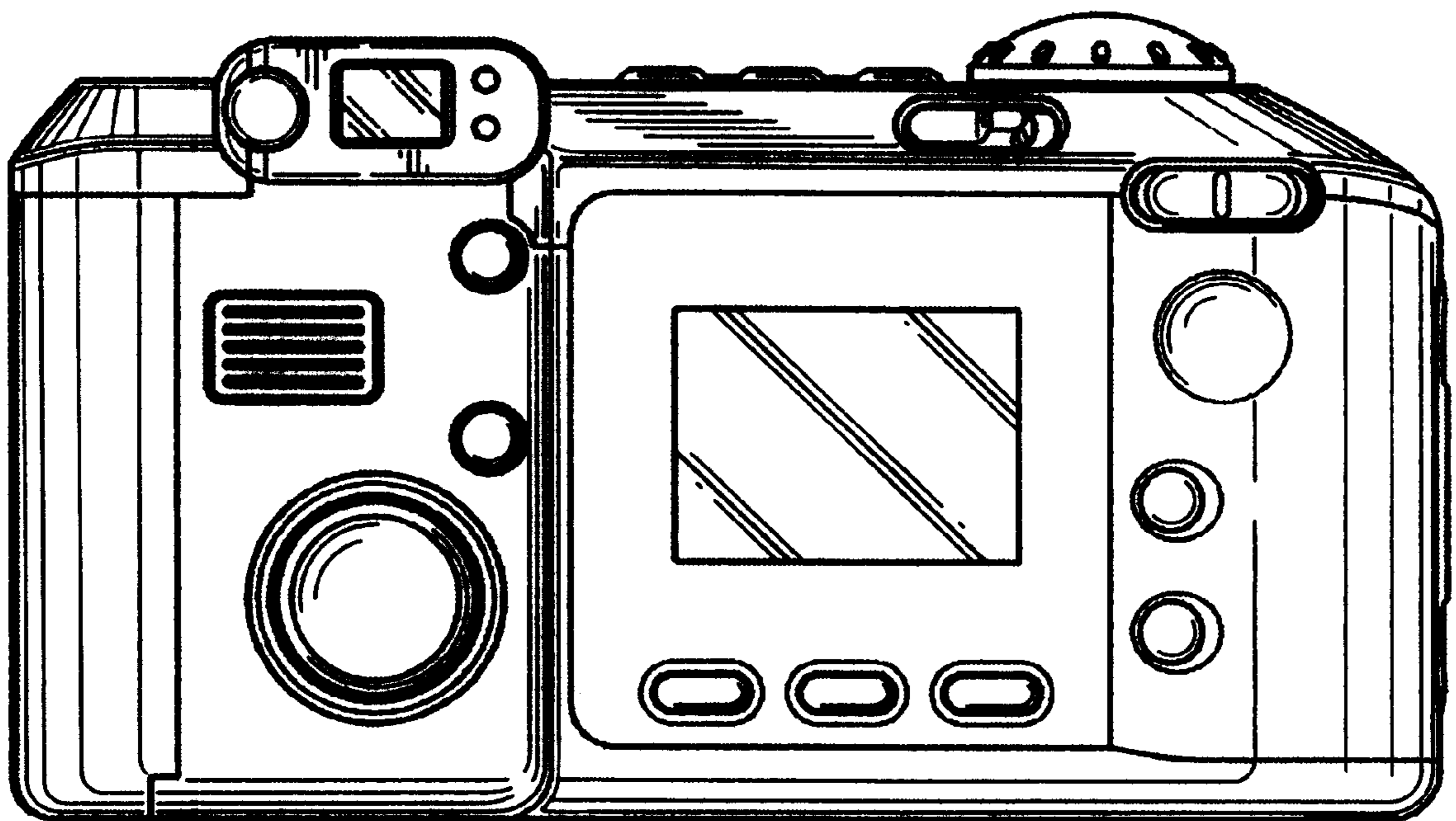


FIG. 3

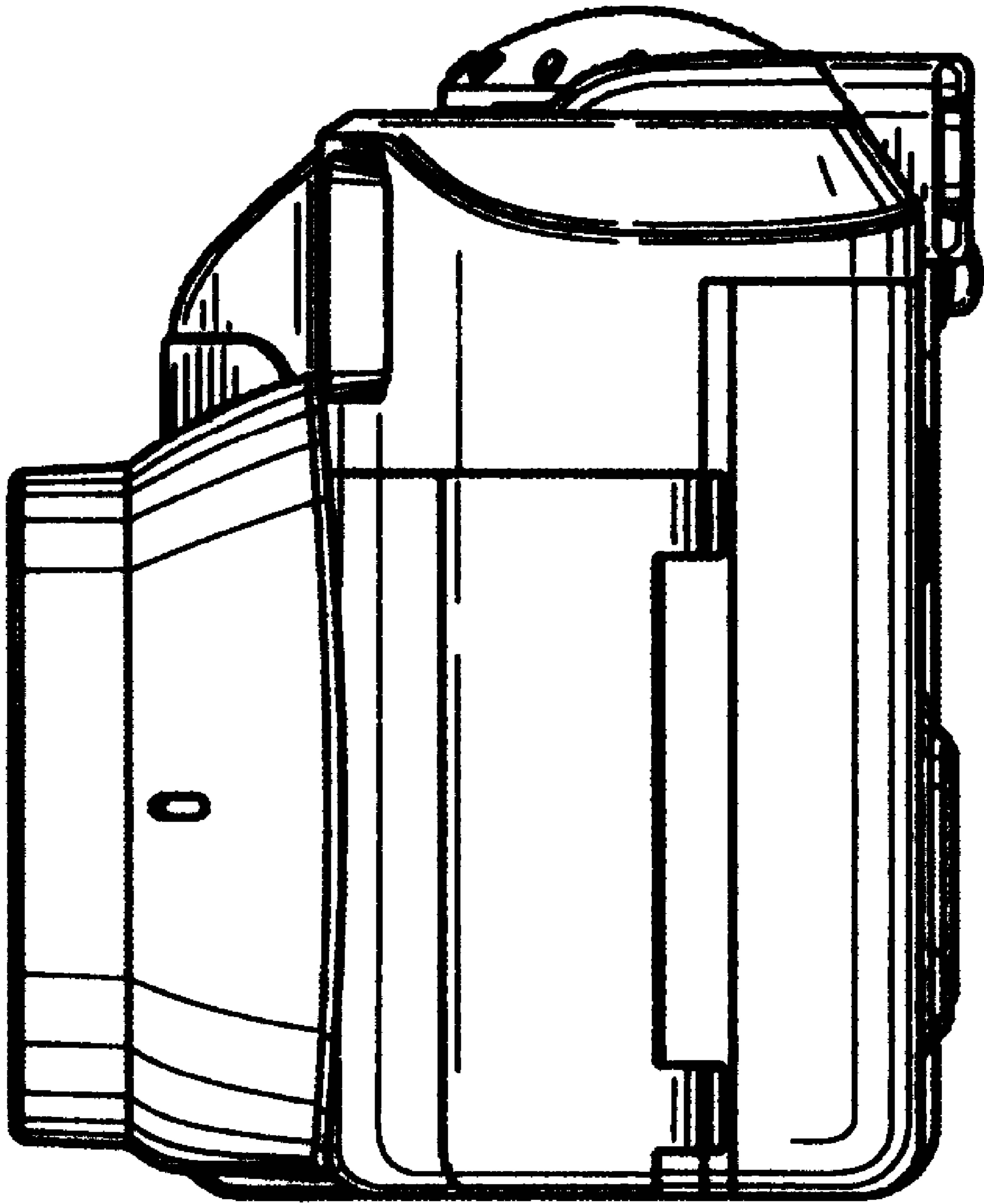


FIG. 4

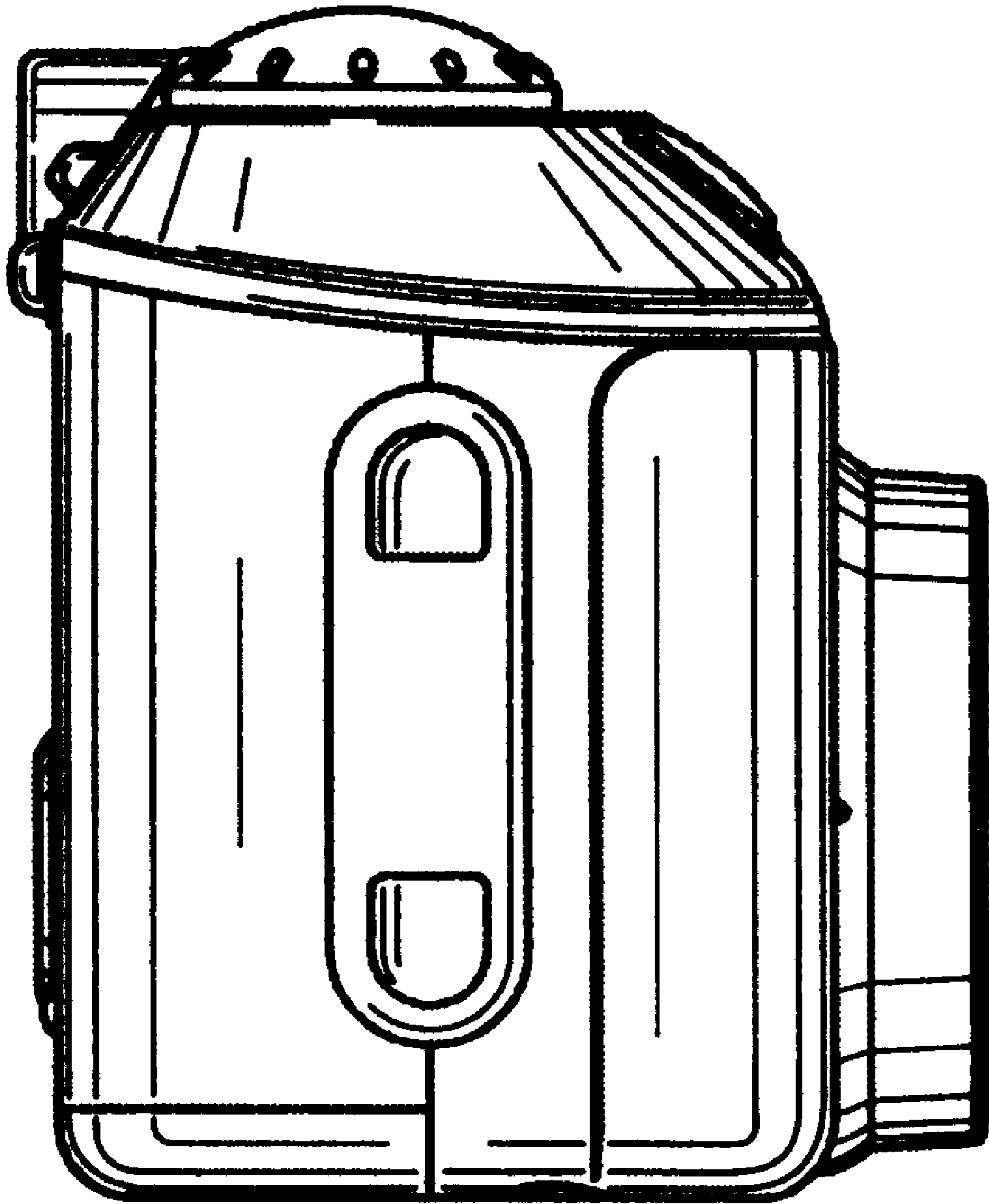


FIG. 5

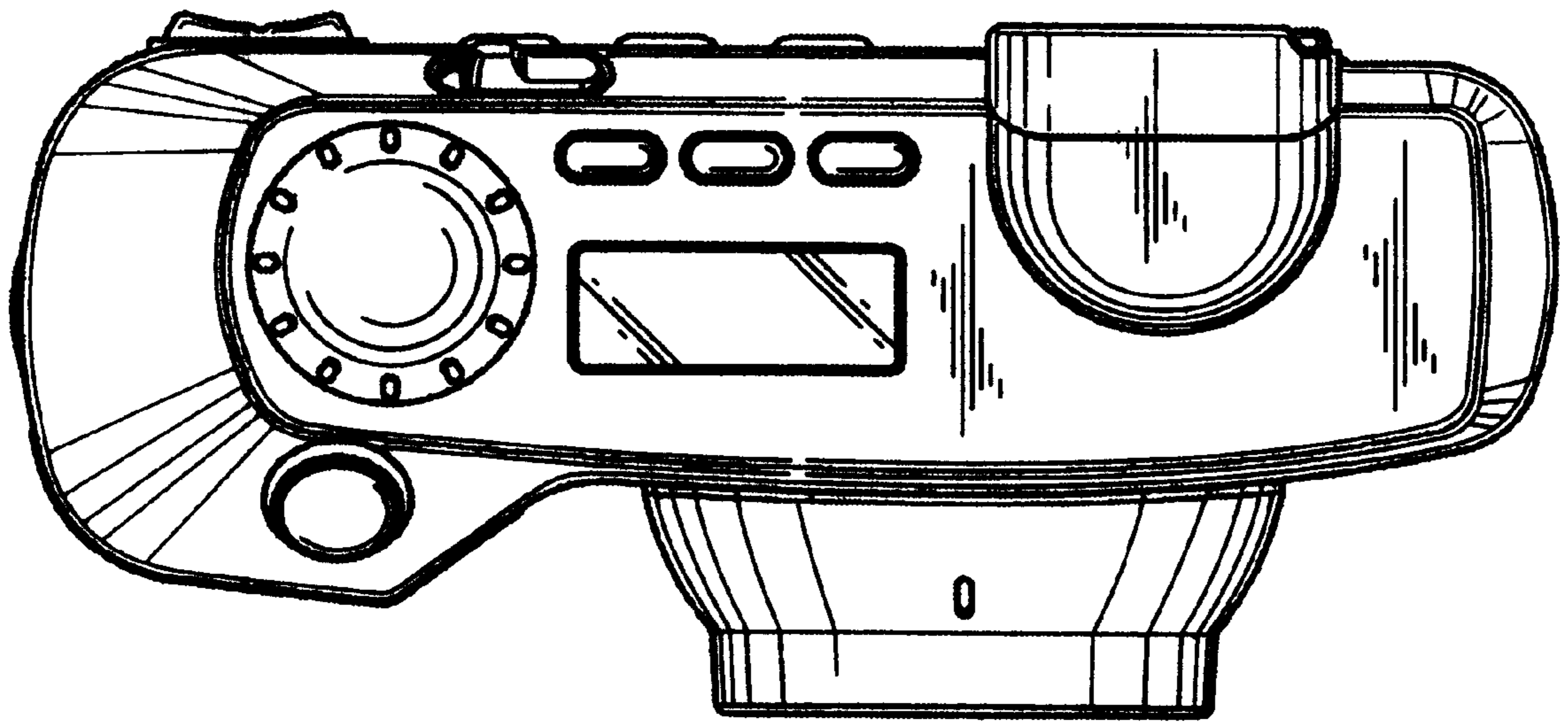


FIG. 6

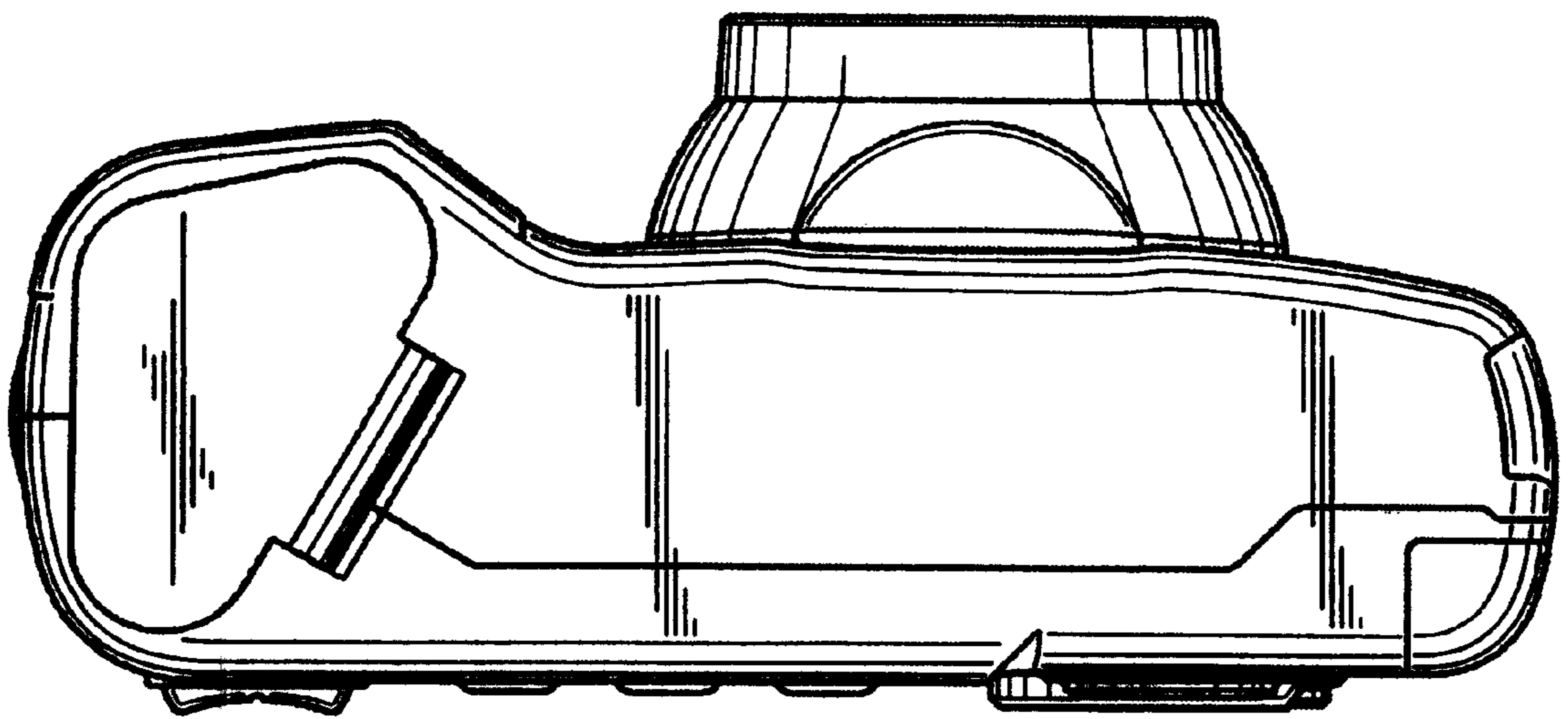


FIG. 7

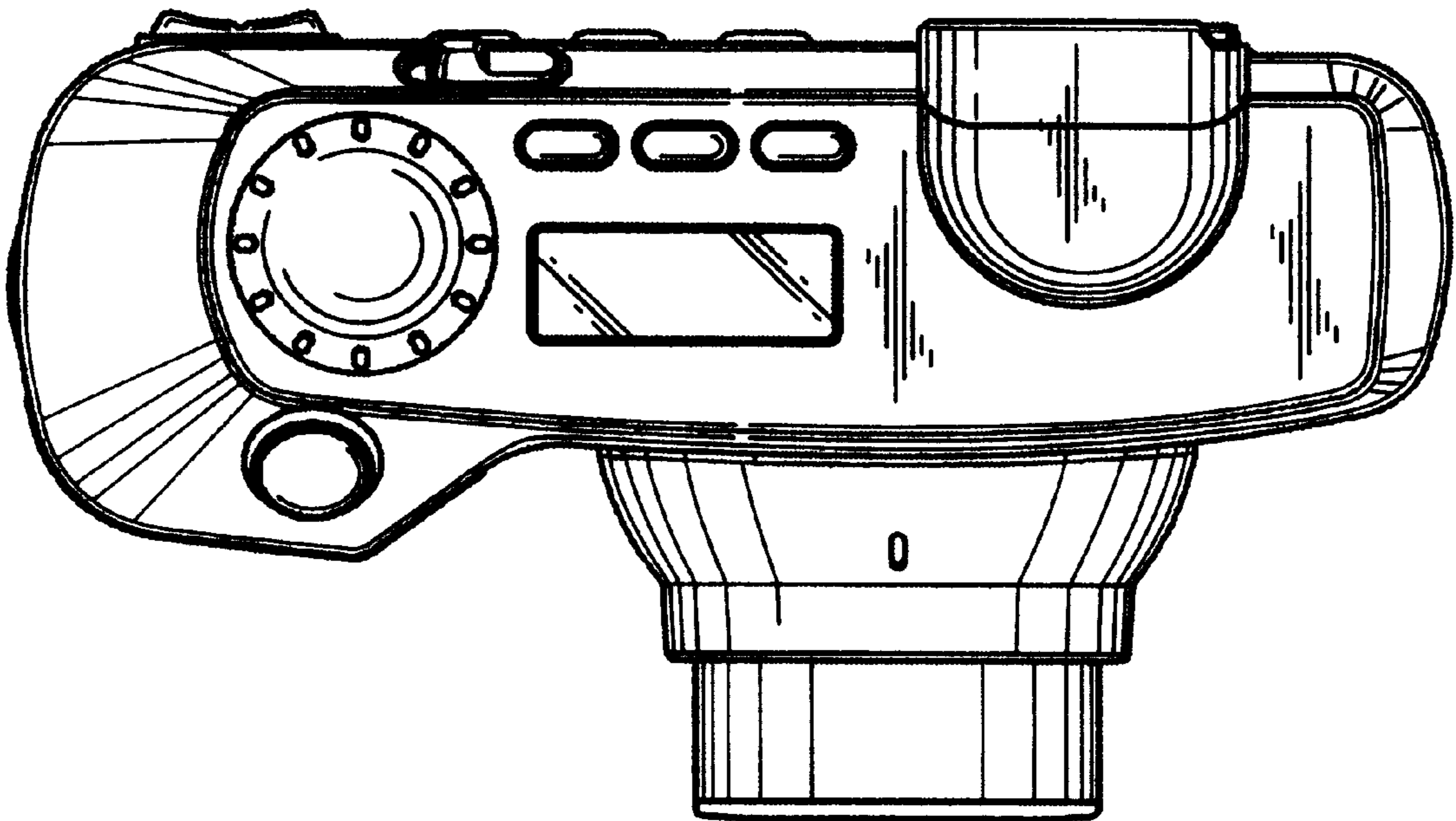


FIG. 8