



US00D464979S

(12) **United States Design Patent**  
**Yamamoto**

(10) **Patent No.:** **US D464,979 S**

(45) **Date of Patent:** **\*\* Oct. 29, 2002**

(54) **SEWING MACHINE**

(75) Inventor: **Shigemi Yamamoto**, Chufu (JP)

(73) Assignee: **Juki Corporation**, Chofu (JP)

(\*\*) Term: **14 Years**

(21) Appl. No.: **29/142,054**

(22) Filed: **May 17, 2001**

(30) **Foreign Application Priority Data**

Nov. 17, 2000 (JP) ..... 2000-032886

(51) **LOC (7) Cl.** ..... **15-06**

(52) **U.S. Cl.** ..... **D15/69**

(58) **Field of Search** ..... D15/66-76; 112/258-261,  
112/63, 217.1-219.4, 444

(56) **References Cited**

**U.S. PATENT DOCUMENTS**

D403,333 S \* 12/1998 Takada et al. .... D15/70  
D430,886 S \* 9/2000 Yamamoto ..... D15/69

D450,720 S \* 11/2001 Kuroki ..... D15/69

\* cited by examiner

*Primary Examiner*—Mitchell Siegel

(74) *Attorney, Agent, or Firm*—Morgan & Finnegan, LLP

(57) **CLAIM**

The ornamental design for a sewing machine, as shown and described.

**DESCRIPTION**

FIG. 1. is a front view of a sewing machine showing our new design.

FIG. 2. is a back view thereof.

FIG. 3 is a left side view thereof.

FIG. 4. is a right side view thereof.

FIG. 5. is a top plan view thereof.

FIG. 6. is a bottom plan view thereof.

FIG. 7. is a front, top and right side perspective view thereof; and,

FIG. 8 is a cross-sectional view thereof taken along line 8—8 of FIG. 1.

**1 Claim, 6 Drawing Sheets**

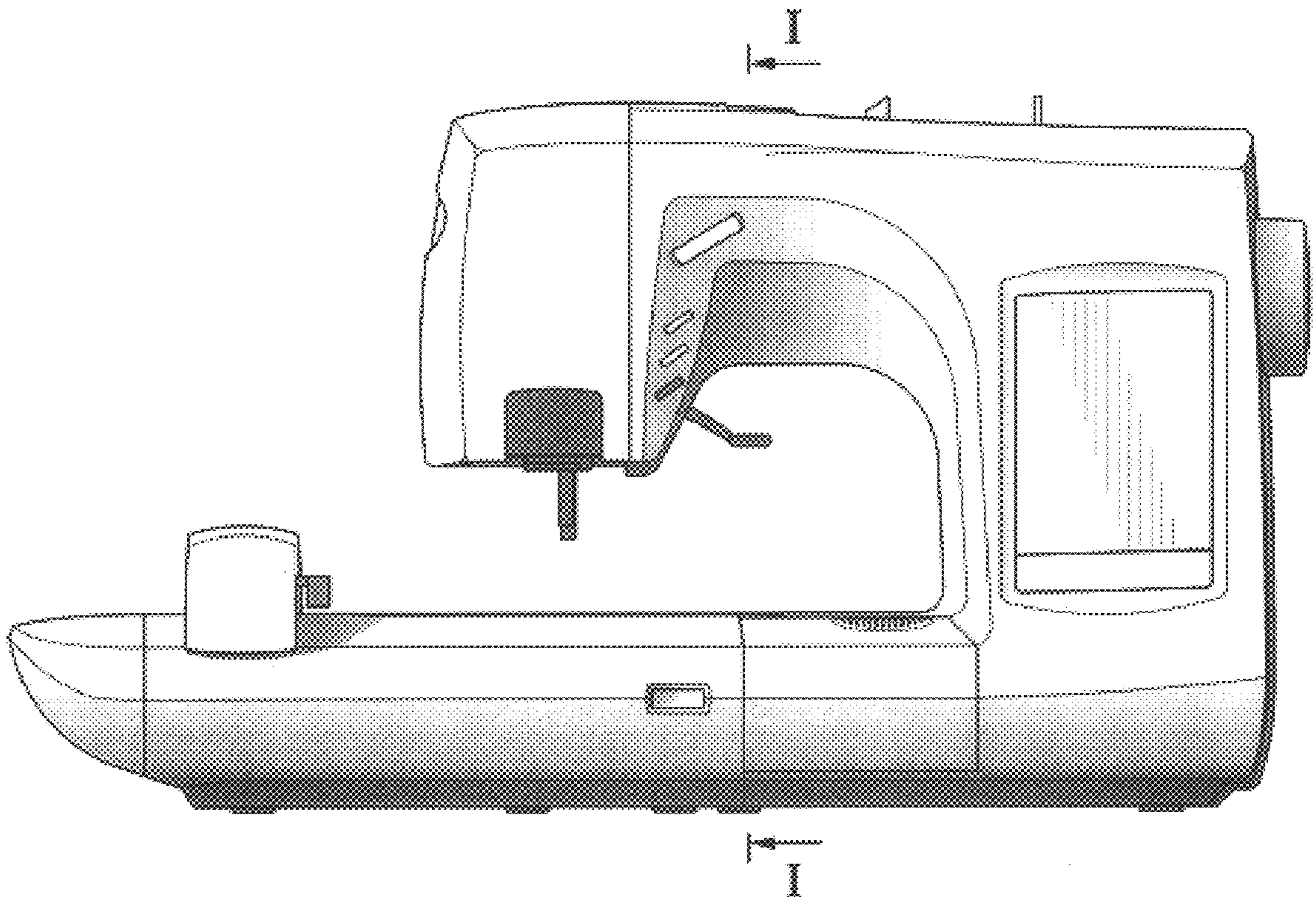


FIG. 1

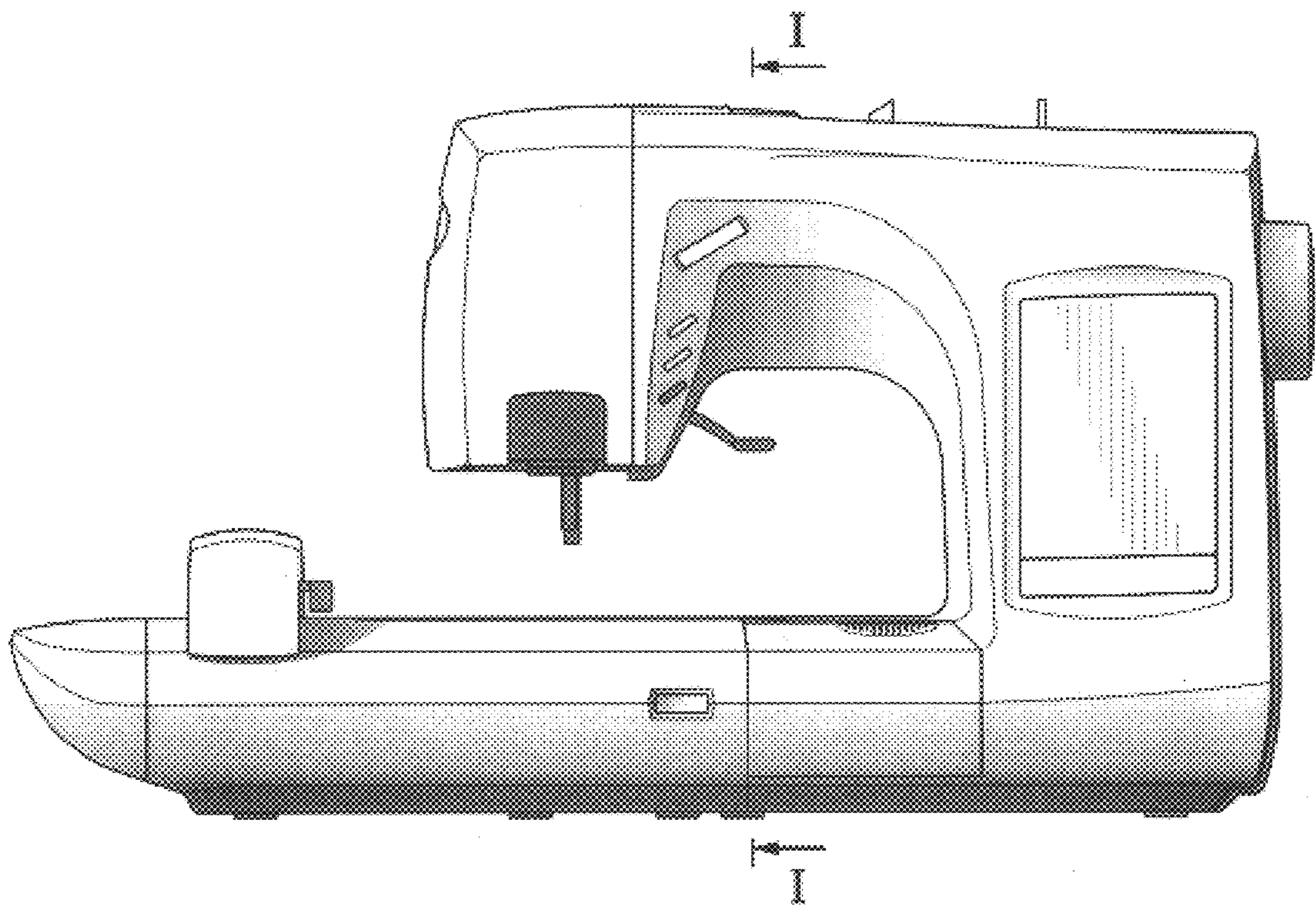
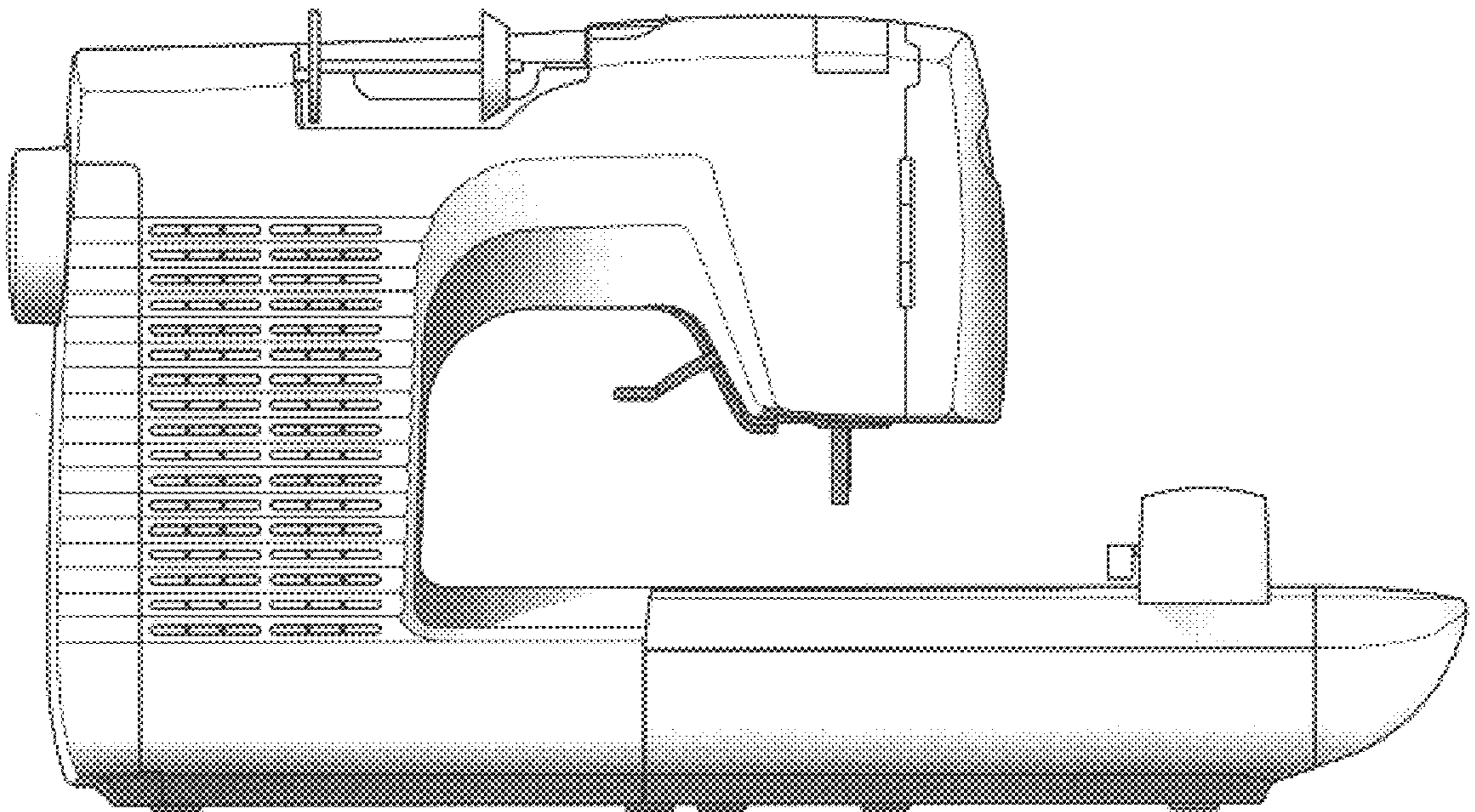
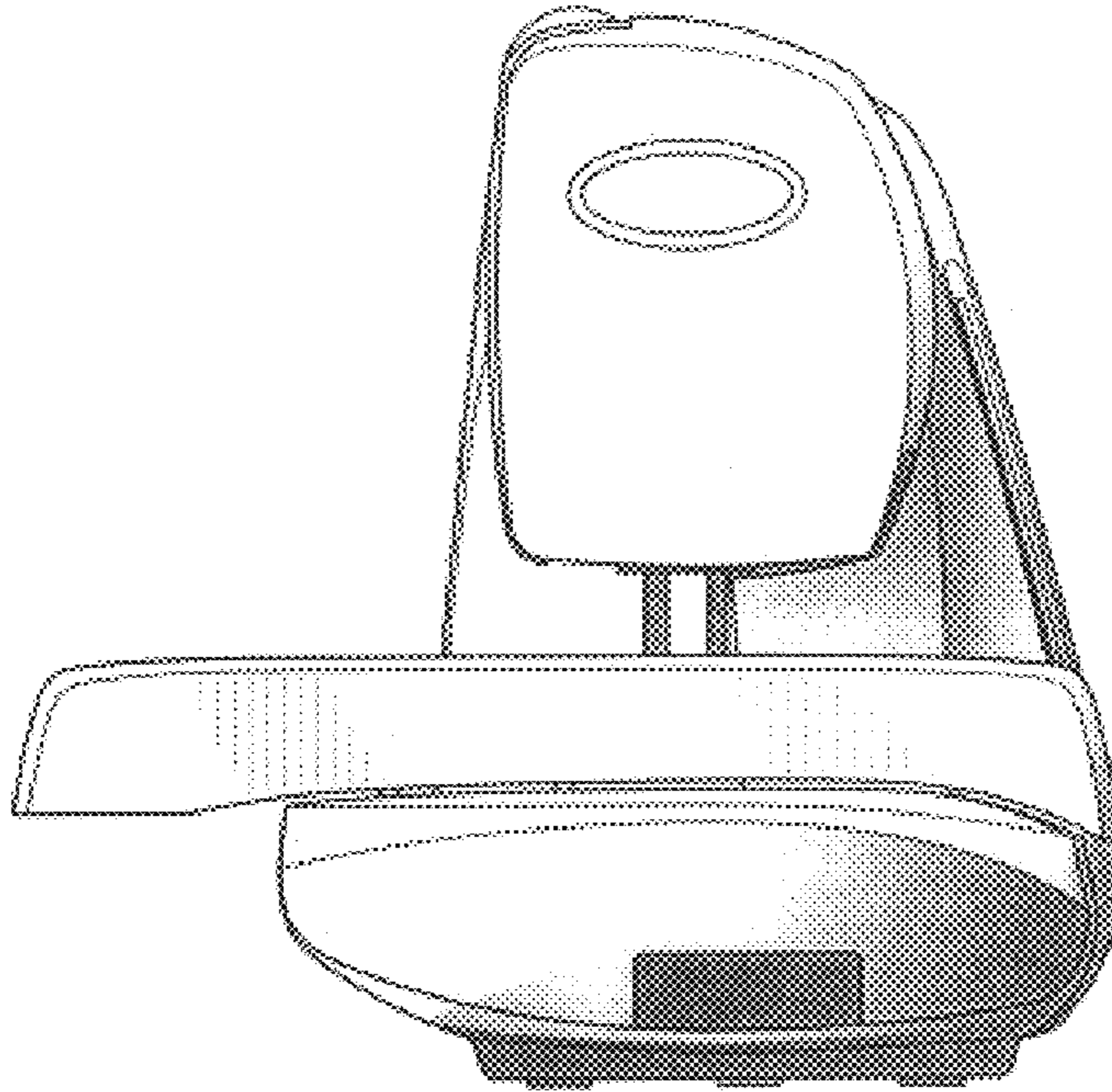


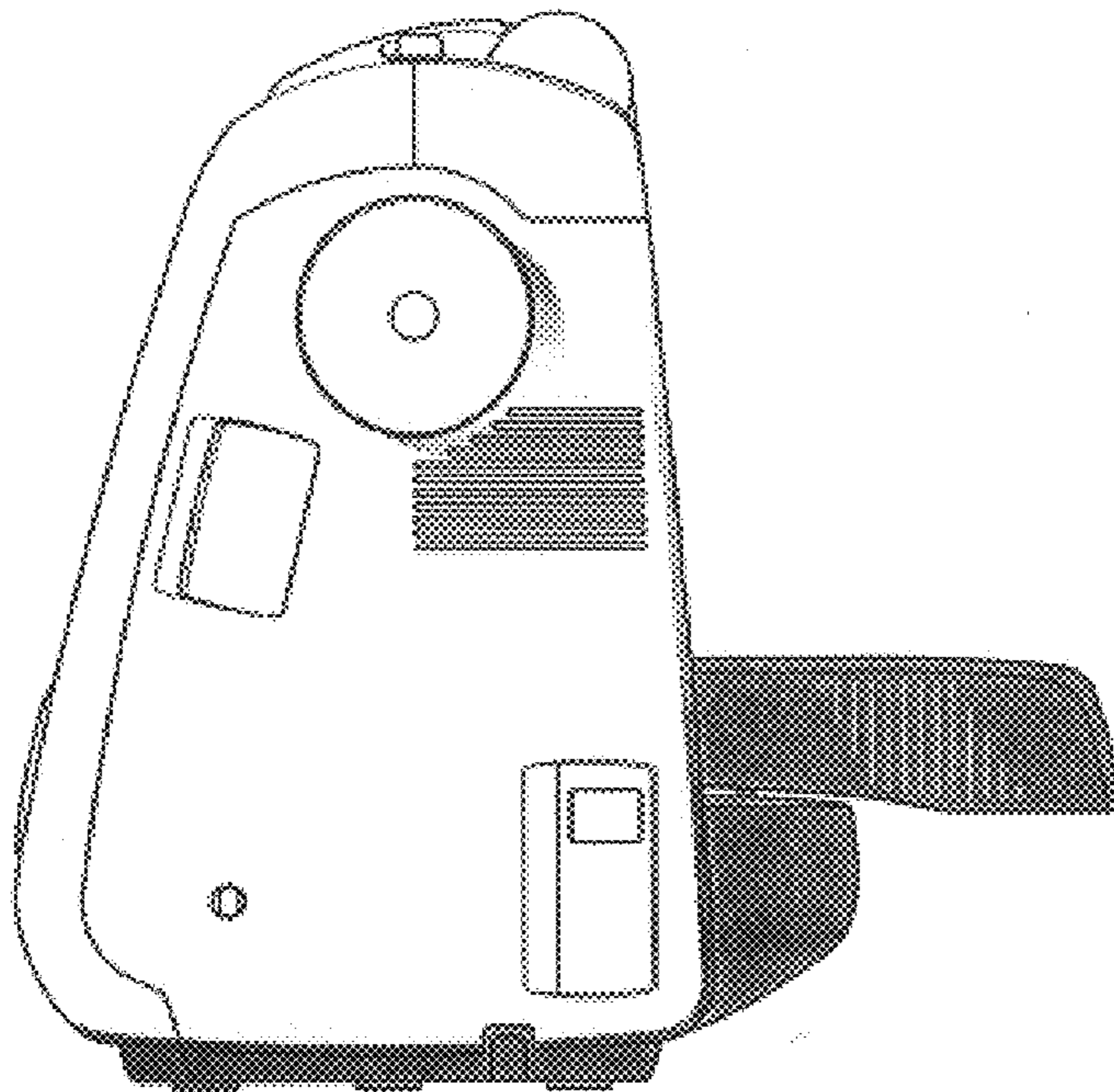
FIG. 2



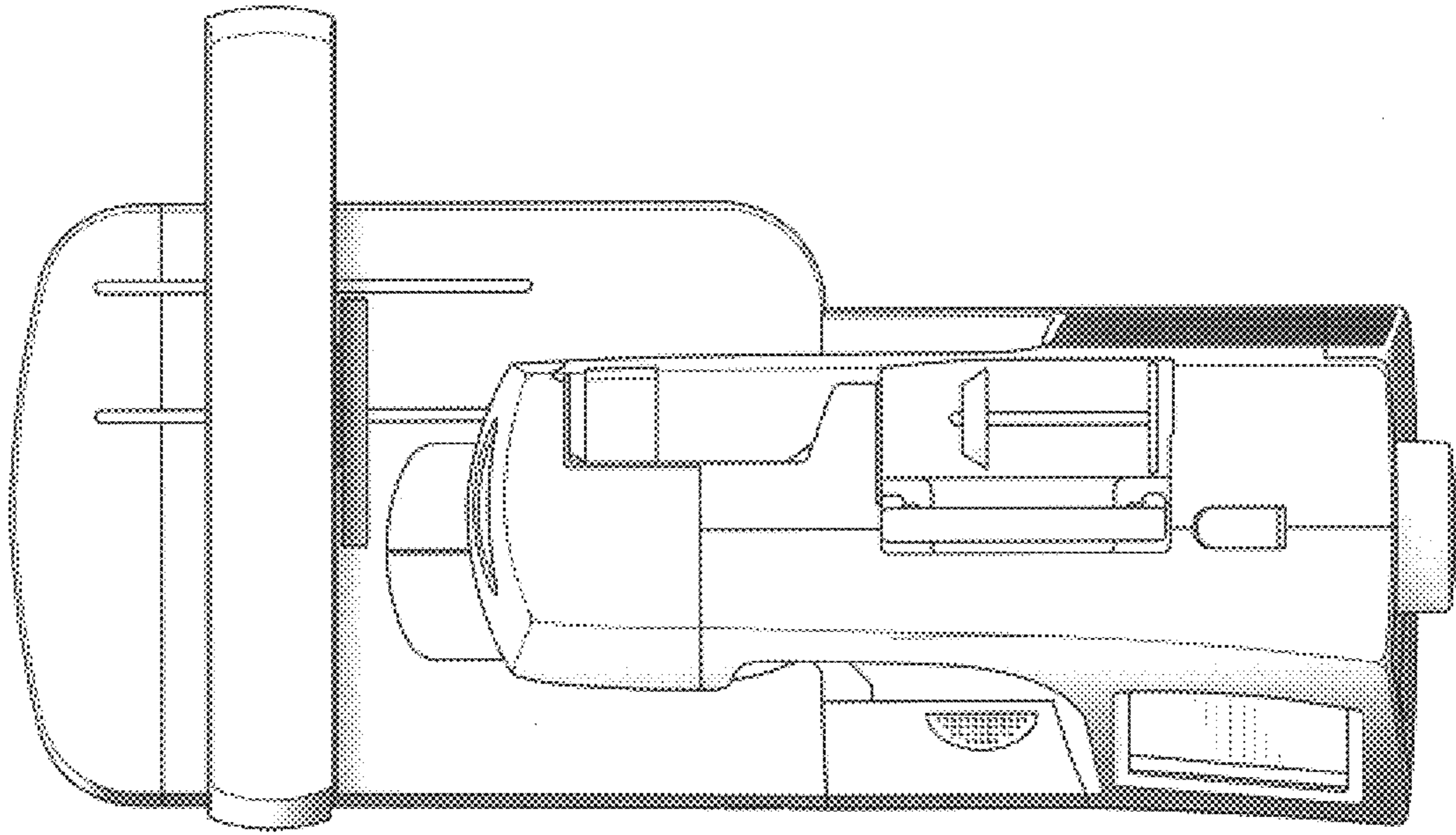
**FIG. 3**



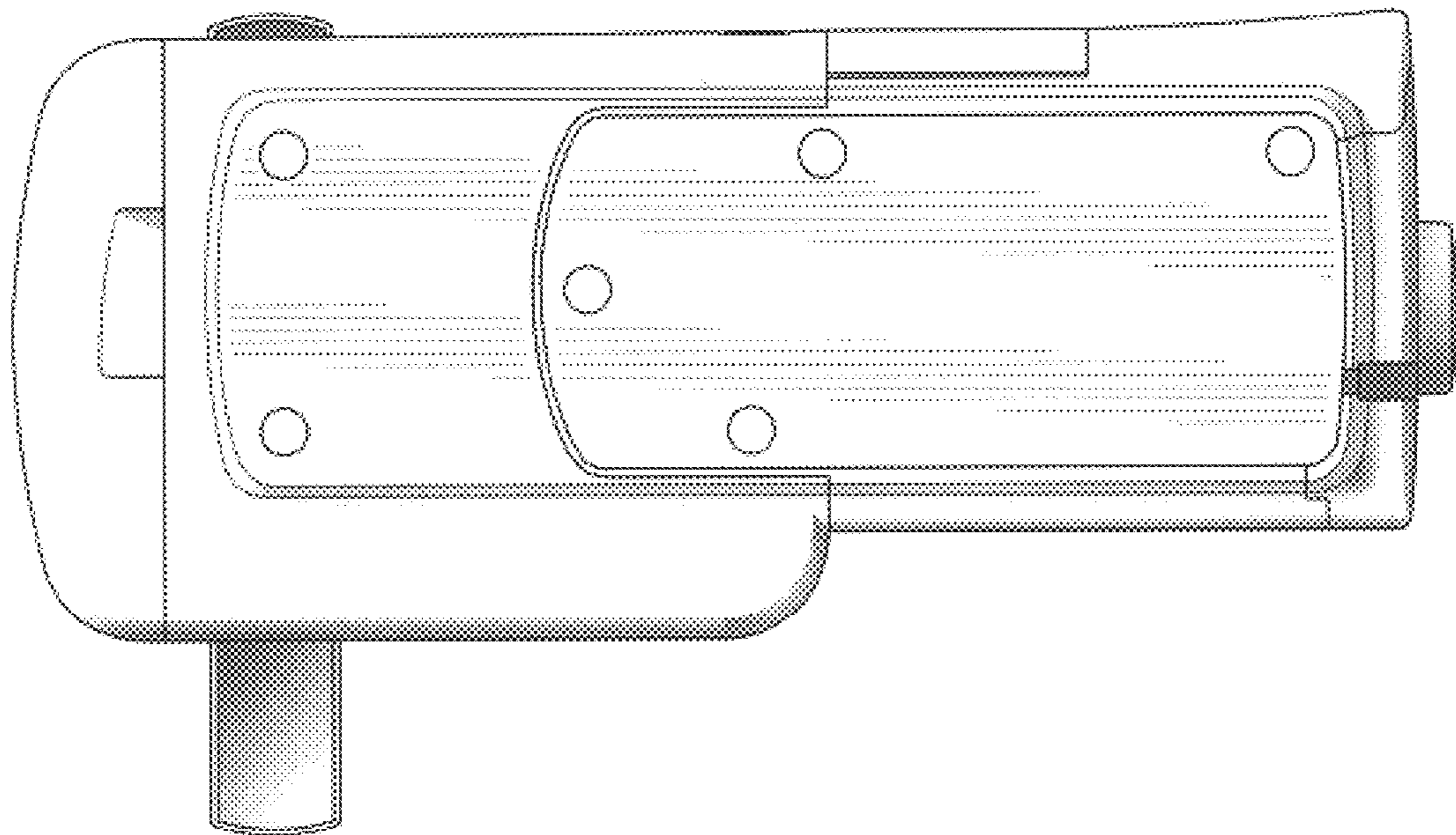
**FIG. 4**



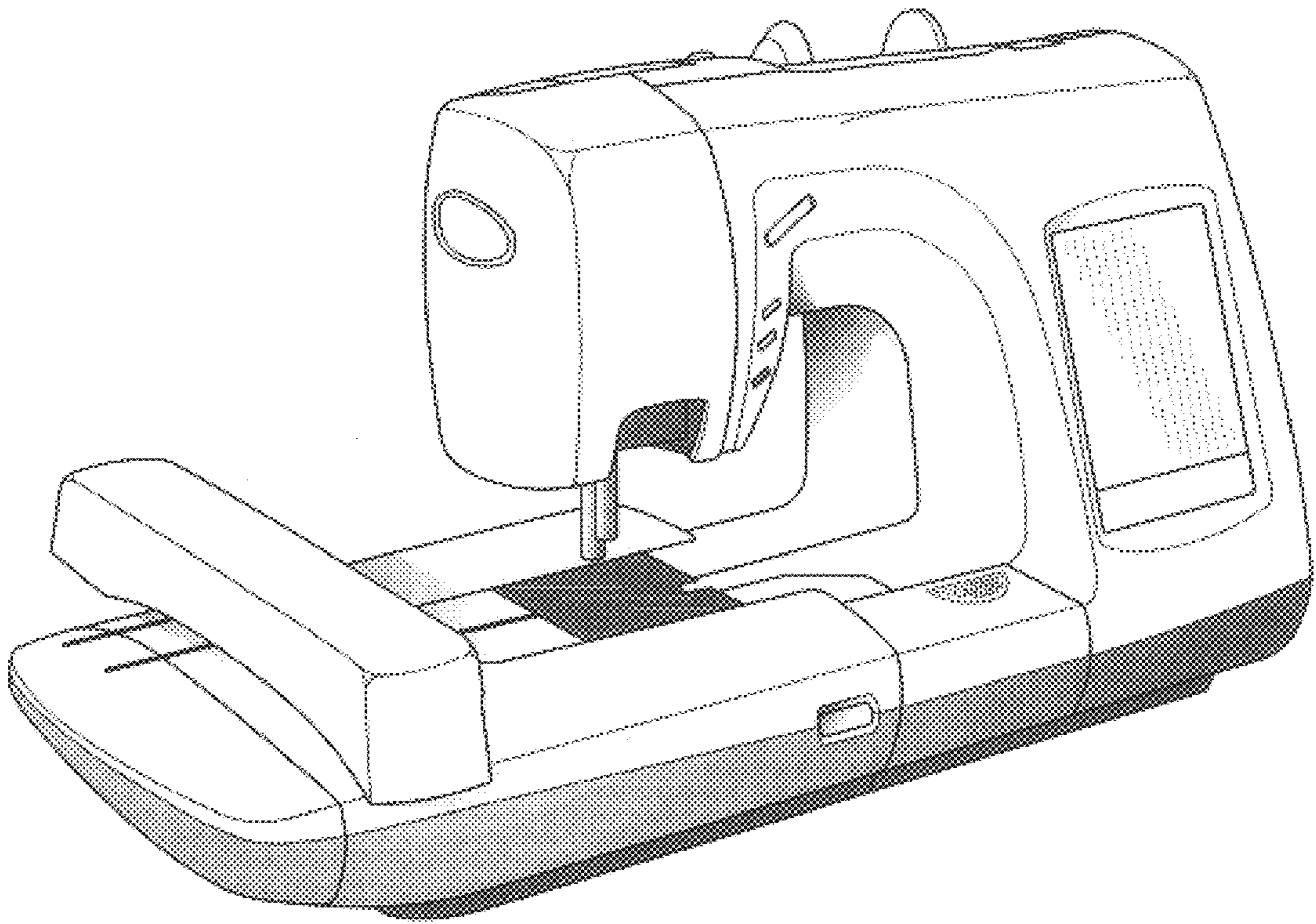
**FIG. 5**



**FIG. 6**



**FIG. 7**



**FIG. 8**

