



US00D464971S

(12) **United States Design Patent**
Pombo

(10) **Patent No.:** **US D464,971 S**

(45) **Date of Patent:** **** Oct. 29, 2002**

(54) **LIQUID CRYSTAL DISPLAY HOLDER**

(75) Inventor: **Stephen A. Pombo**, Campbell, CA (US)

(73) Assignee: **Kopin Corporation**, Taunton, MA (US)

(**) Term: **14 Years**

(21) Appl. No.: **29/090,339**

(22) Filed: **Jul. 7, 1998**

- D302,704 S * 8/1989 Krautsack
- 5,262,763 A * 11/1993 Okuyama et al.
- 5,450,221 A * 9/1995 Owen et al.
- 5,479,285 A * 12/1995 Burke
- 5,570,269 A * 10/1996 Ma
- 5,623,392 A * 4/1997 Ma
- 5,694,190 A * 12/1997 Matsumoto et al.
- 5,929,950 A * 7/1999 Matsuda
- 6,067,459 A * 5/2000 Lincoln et al.
- 6,188,380 B1 * 2/2001 Kawashima et al.
- 6,195,148 B1 * 2/2001 Sasuga et al.

* cited by examiner

Related U.S. Application Data

(63) Continuation of application No. 08/966,985, filed on Nov. 10, 1997, which is a continuation of application No. PCT/US97/20171, filed on Oct. 31, 1997, which is a continuation-in-part of application No. 08/942,272, filed on Sep. 30, 1997, which is a continuation-in-part of application No. 08/884,485, filed on Jun. 27, 1997, which is a continuation-in-part of application No. 08/855,909, filed on May 14, 1997, which is a continuation-in-part of application No. 08/853,630, filed on May 9, 1997, which is a continuation-in-part of application No. 08/888,420, filed on Apr. 7, 1997.

(51) **LOC (7) Cl.** **14-02**

(52) **U.S. Cl.** **D14/432**

(58) **Field of Search** 345/87, 88, 27;
D14/432; D10/30-39; 455/566; 349/58-60,
149-52

(56) **References Cited**

U.S. PATENT DOCUMENTS

- 4,444,513 A * 4/1984 Proellocks et al.
- 4,796,977 A * 1/1989 Drake

Primary Examiner—M. H. Tung

(74) *Attorney, Agent, or Firm*—Hamilton, Brook, Smith & Reynolds, P.C.

(57) **CLAIM**

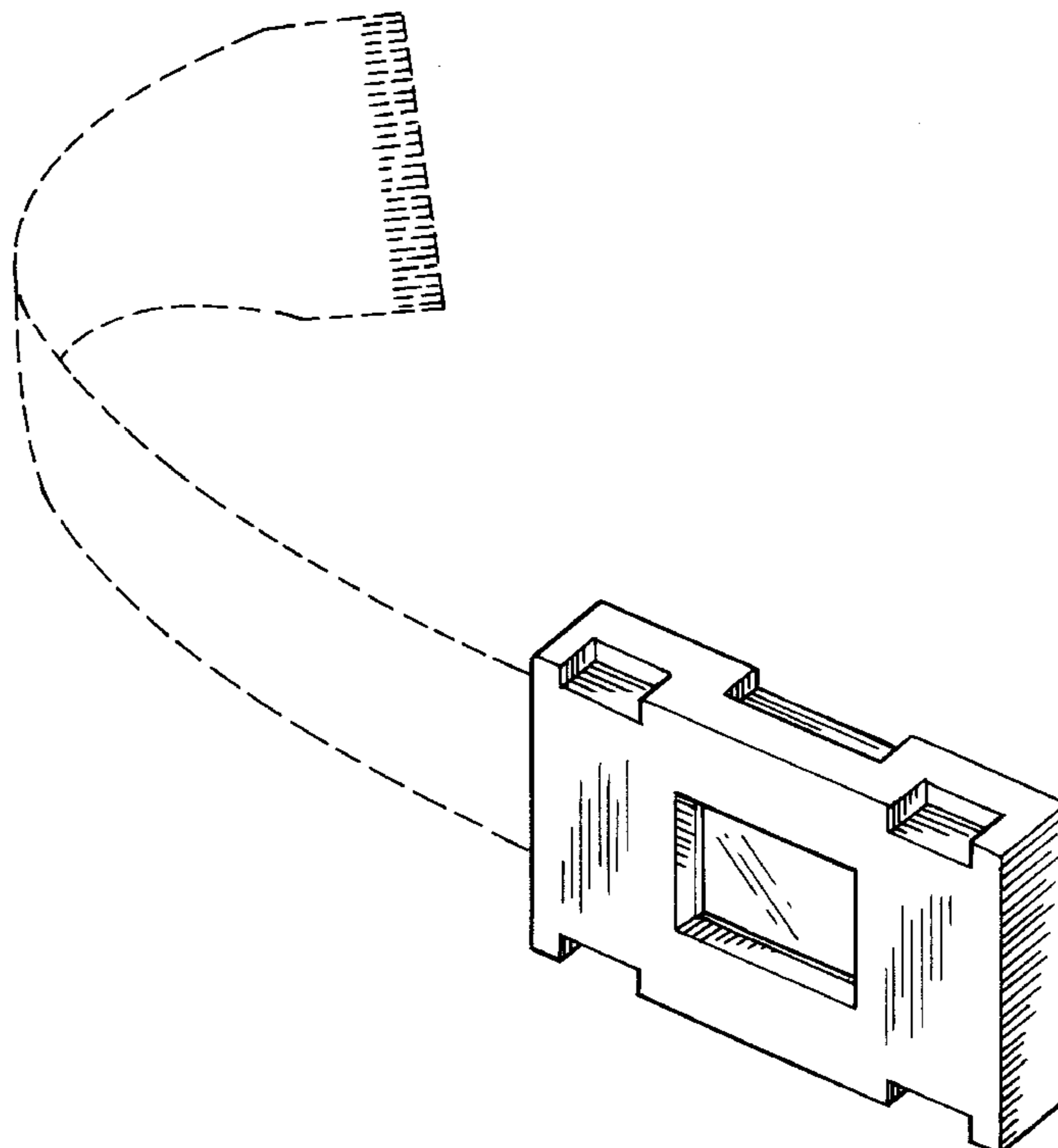
The ornamental design for a liquid crystal display holder, as shown and described.

DESCRIPTION

FIG. 1 is a front right perspective view of a liquid crystal display holder showing the new design, the broken line drawing of a connector is for illustrative purposes only and forms no part of the claimed design;

FIG. 2 is a front view of the liquid crystal display holder; FIG. 3 is a right view of the liquid crystal display holder; FIG. 4 is a top view of the liquid crystal display holder; FIG. 5 is a rear view of the liquid crystal display holder; FIG. 6 is a left view of the liquid crystal display holder; and, FIG. 7 is a bottom view of the liquid crystal display holder.

1 Claim, 2 Drawing Sheets



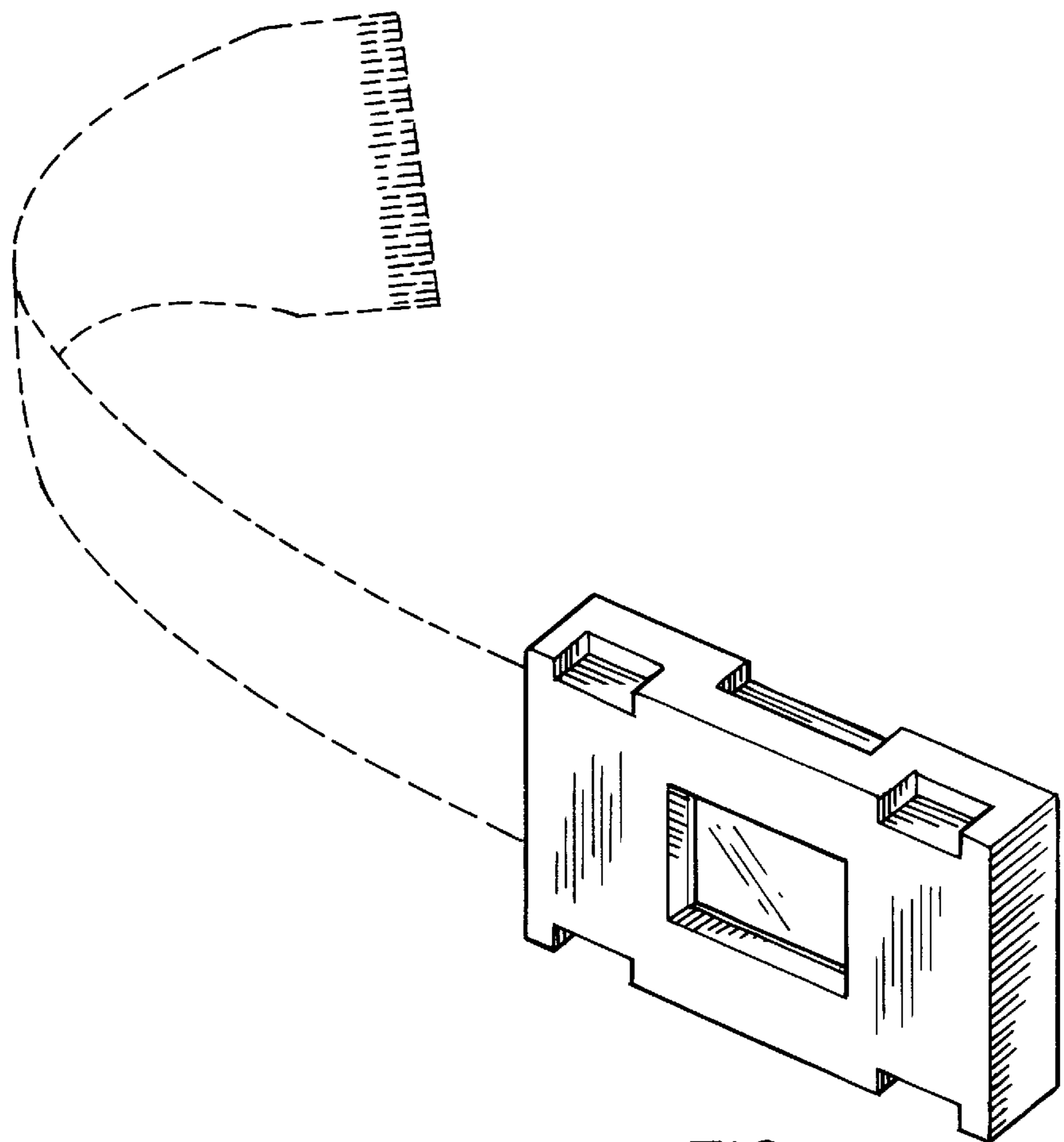


FIG. 1

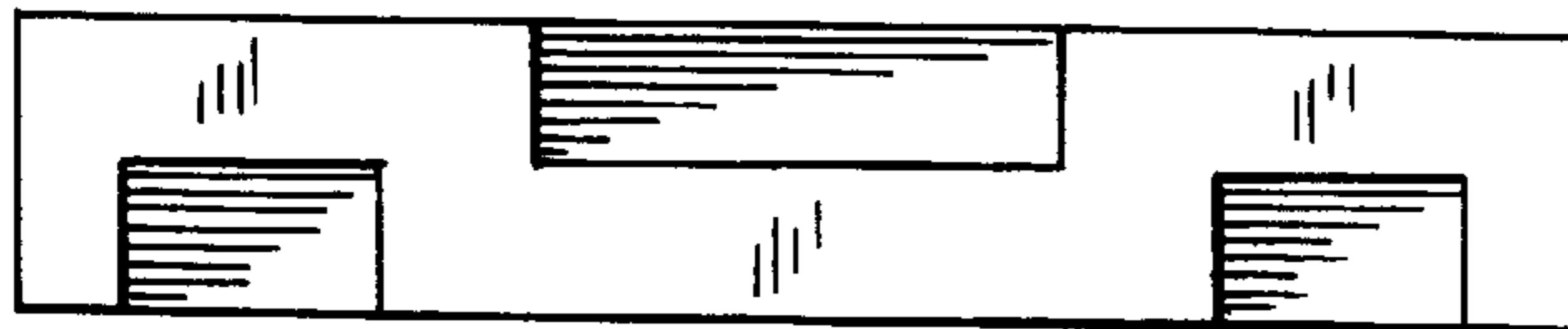


FIG. 4

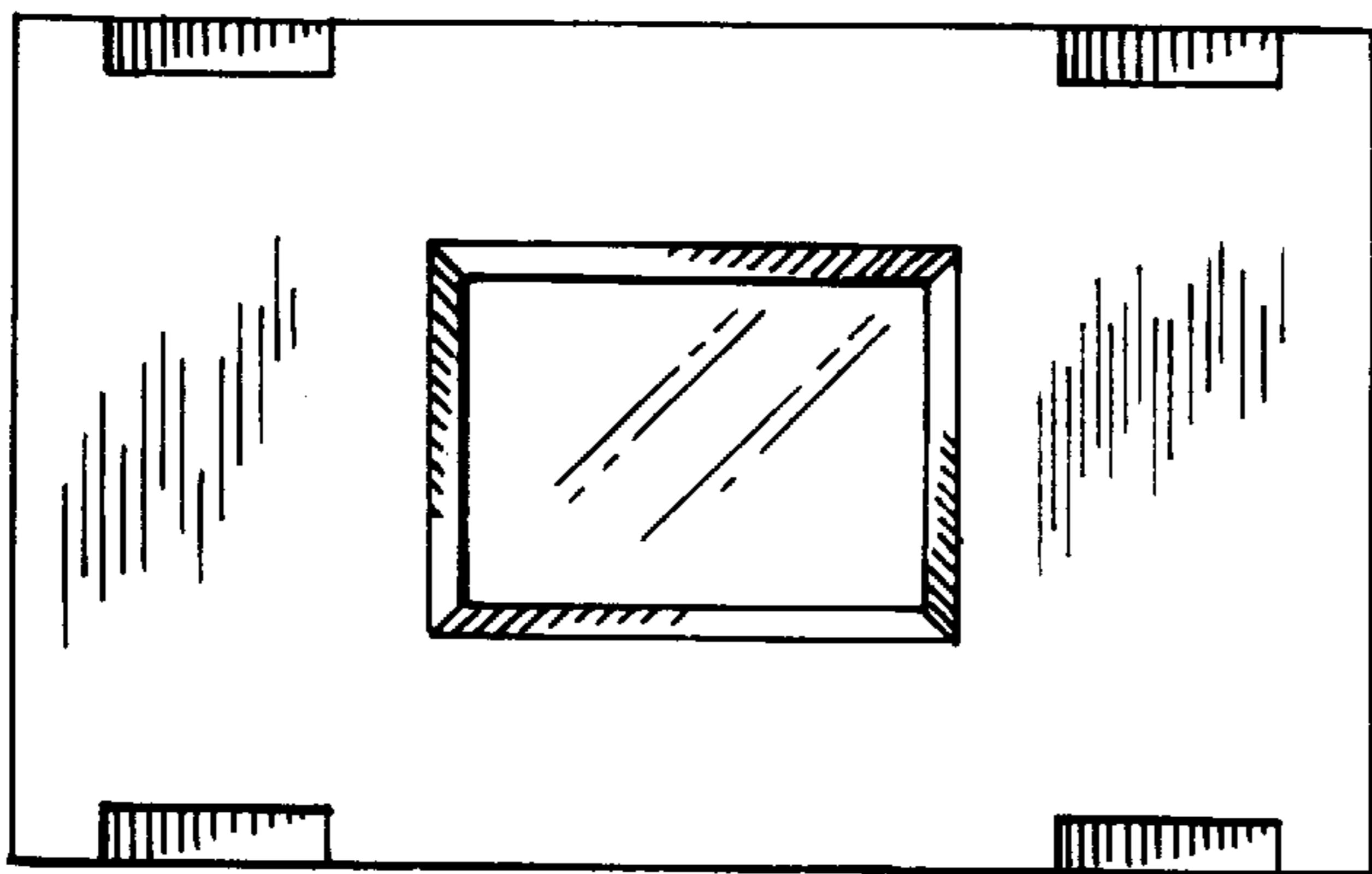


FIG. 2

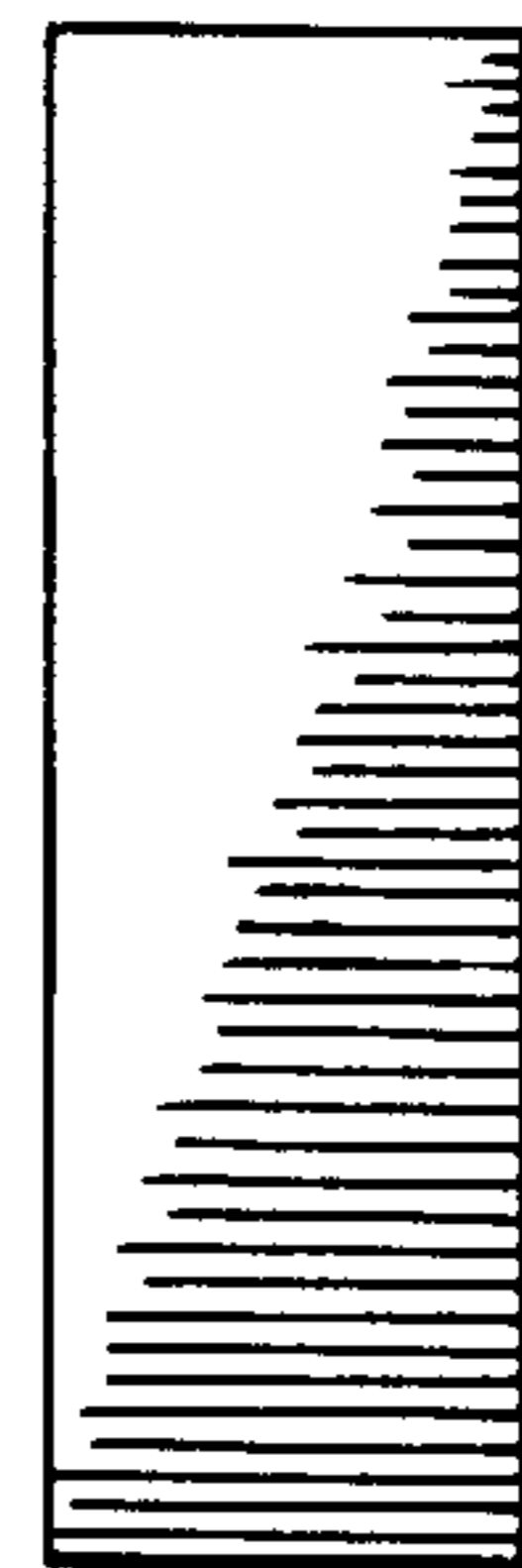


FIG. 3

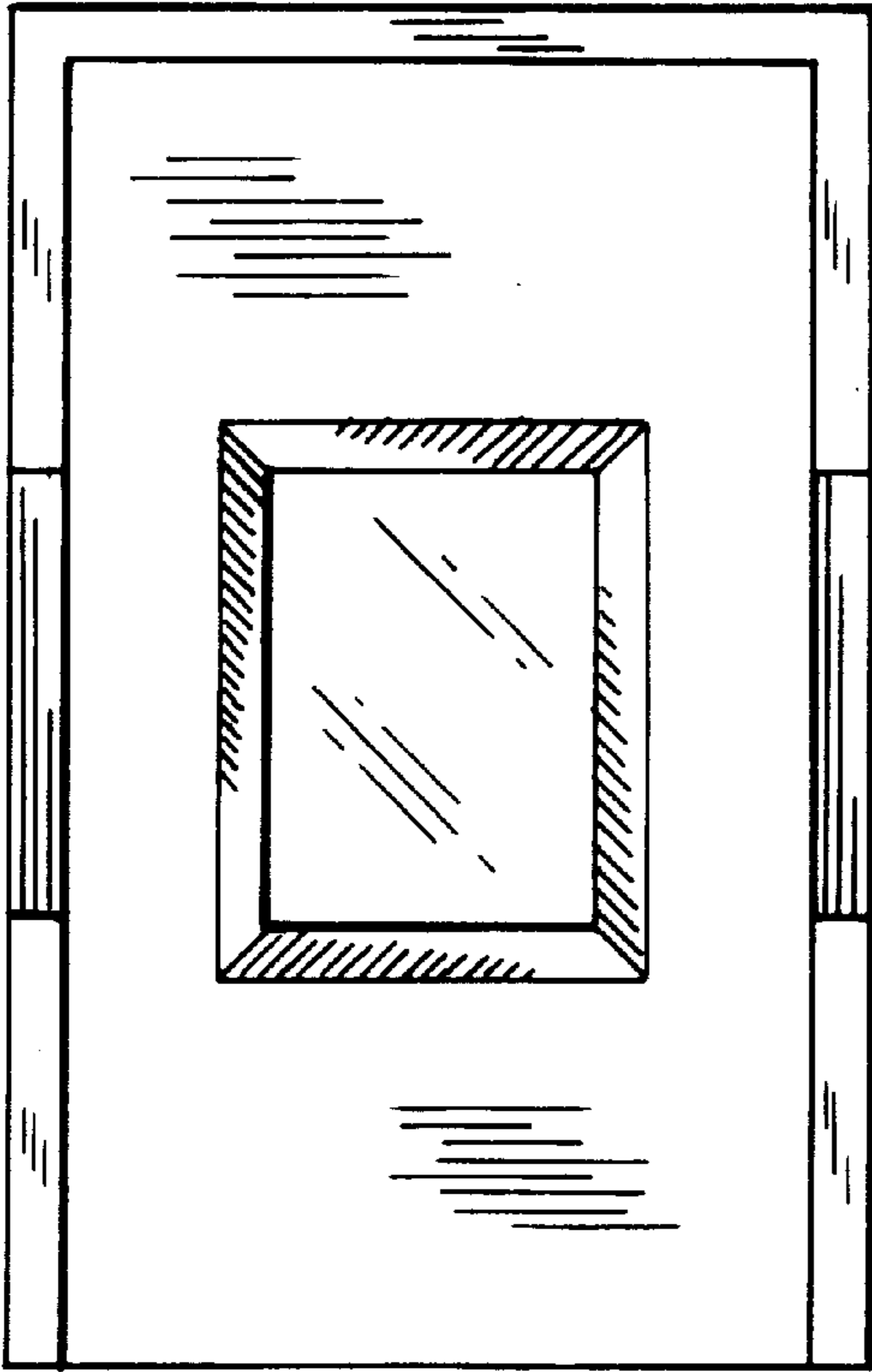


FIG. 5

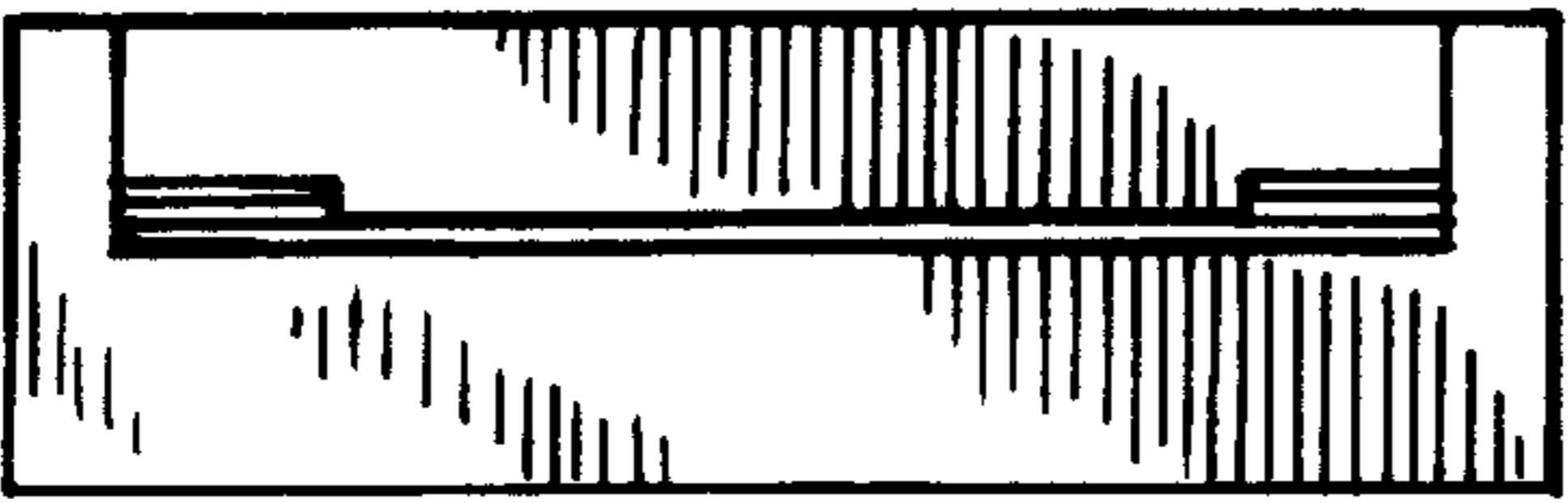


FIG. 6

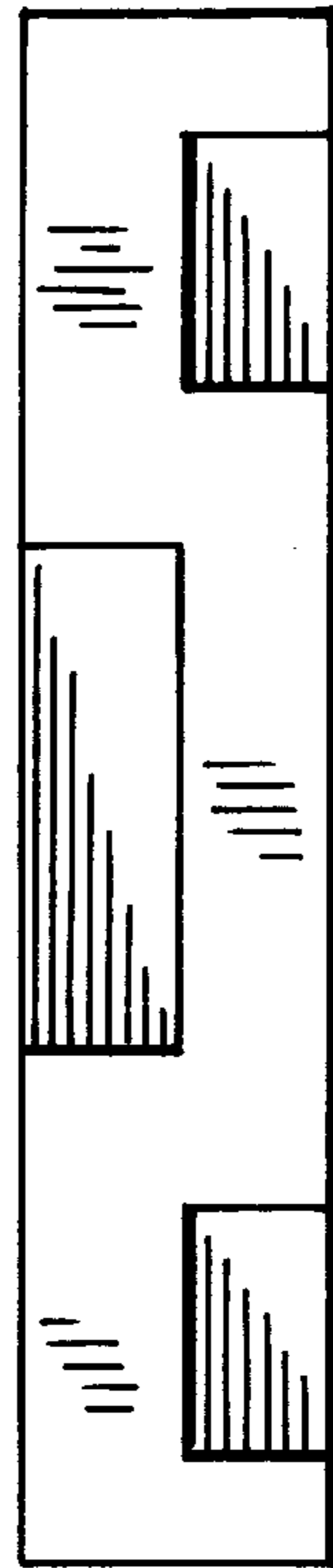


FIG. 7