



US00D464968S

(12) **United States Design Patent**  
**Wahlgren et al.**

(10) **Patent No.:** **US D464,968 S**

(45) **Date of Patent:** **\*\* Oct. 29, 2002**

(54) **GAME PAD**

(75) Inventors: **Pontus Kaj Bjoern Wahlgren**, San Francisco, CA (US); **Janet Miriam Collin**, San Francisco, CA (US); **Rico Luitpold Zorkendorfer**, San Francisco, CA (US); **Fred Swan**, Castro Valley, CA (US); **Richard Hubert Keyes McDonnell**, Newark, CA (US); **Peter A. Stern**, San Jose, CA (US)

(73) Assignee: **Logitech Europe S.A.** (CH)

(\*\*) Term: **14 Years**

(21) Appl. No.: **29/122,564**

(22) Filed: **Apr. 28, 2000**

(51) **LOC (7) Cl.** ..... **14-02**

(52) **U.S. Cl.** ..... **D14/415**

(58) **Field of Search** ..... D14/400, 401, D14/412-416; D21/324, 333; 273/148 B; 463/1, 30, 36-38, 46, 47; 345/156-161, 905

(56) **References Cited**

**U.S. PATENT DOCUMENTS**

5,394,168 A \* 2/1995 Smith, III et al. .... 345/156

5,759,100 A \* 6/1998 Nakanishi ..... 463/37  
D410,914 S \* 6/1999 Tyler et al. .... D14/415  
D415,752 S \* 10/1999 Tyler et al. .... D14/415  
D417,664 S \* 12/1999 Goto ..... D14/415  
D424,047 S \* 5/2000 Chan ..... D14/401  
6,171,191 B1 \* 1/2001 Ogata et al. .... 273/148 B  
D442,960 S \* 5/2001 Brulotte et al. .... D14/415  
6,231,444 B1 \* 5/2001 Goto et al. .... 273/148 B

\* cited by examiner

*Primary Examiner*—Prabhakar Deshmukh

(74) *Attorney, Agent, or Firm*—Townsend and Townsend and Crew LLP

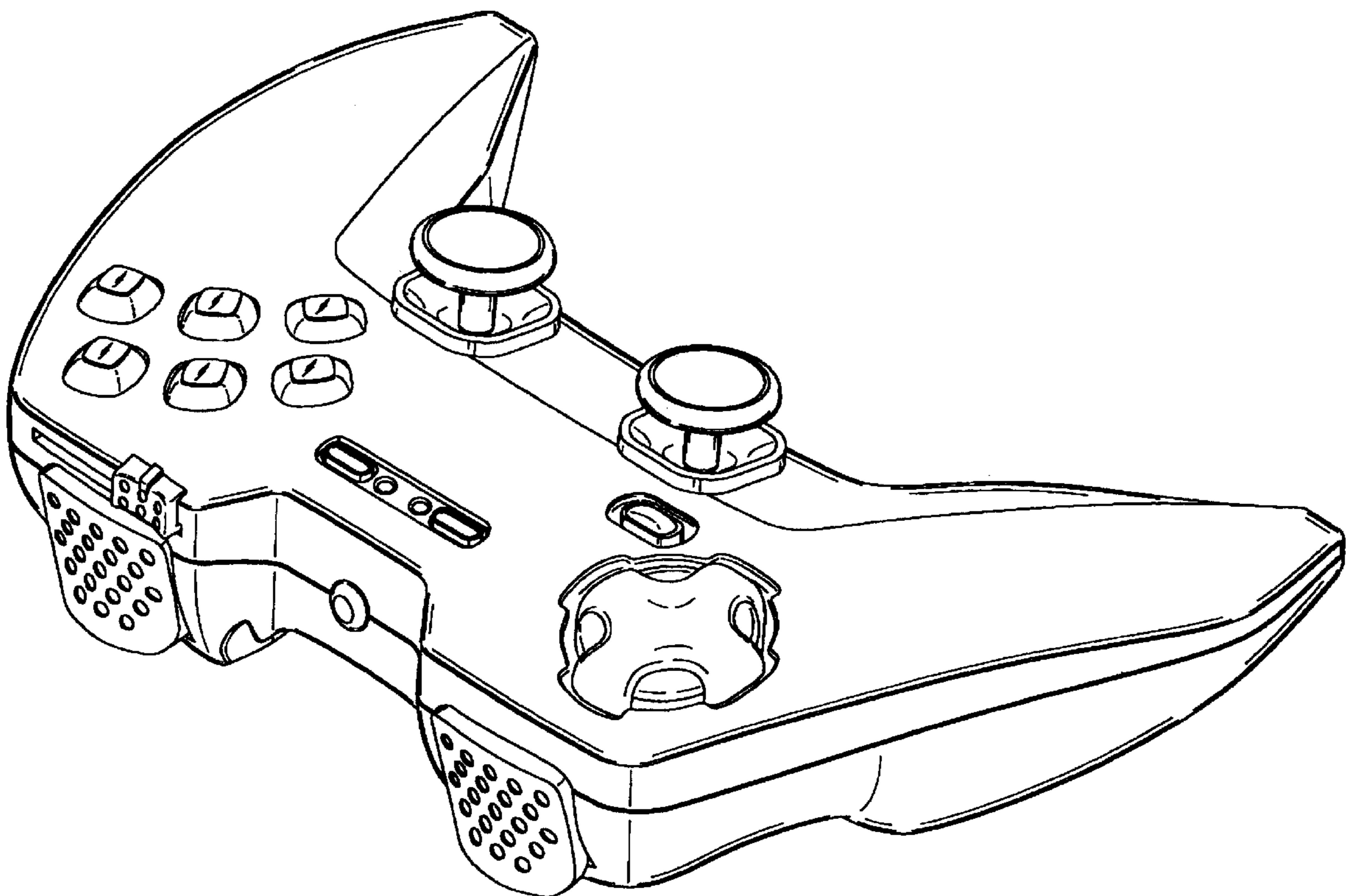
(57) **CLAIM**

The ornamental design for game pad, as shown and described.

**DESCRIPTION**

FIG. 1 is a perspective view of a game pad showing our new design;  
FIG. 2 is a front elevational view thereof;  
FIG. 3 is a rear elevational view thereof;  
FIG. 4 is a right side elevational view thereof;  
FIG. 5 is a left side elevational view thereof;  
FIG. 6 is a top plan view thereof; and,  
FIG. 7 is a bottom plan view thereof.

**1 Claim, 6 Drawing Sheets**



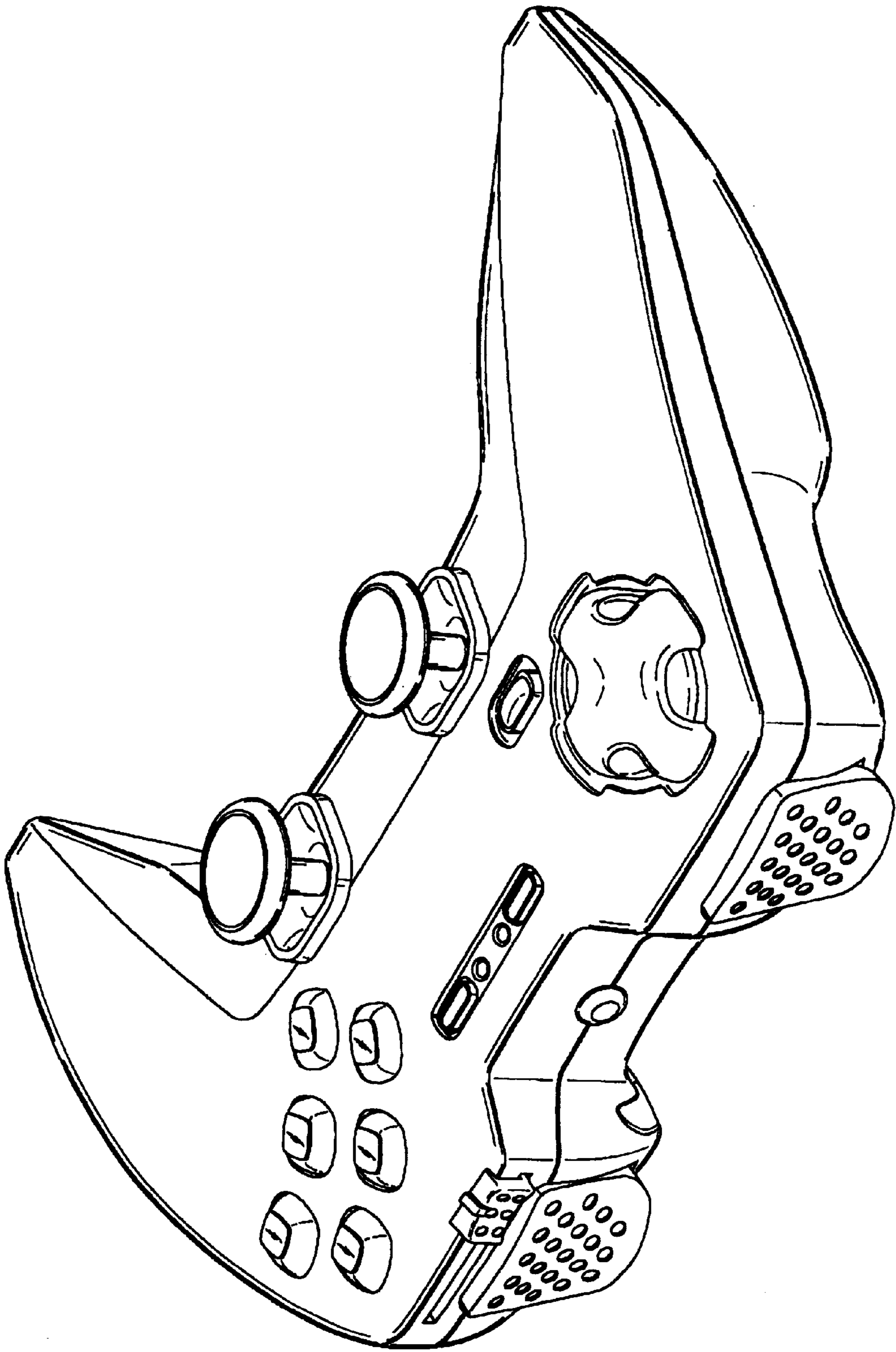


FIG. 1

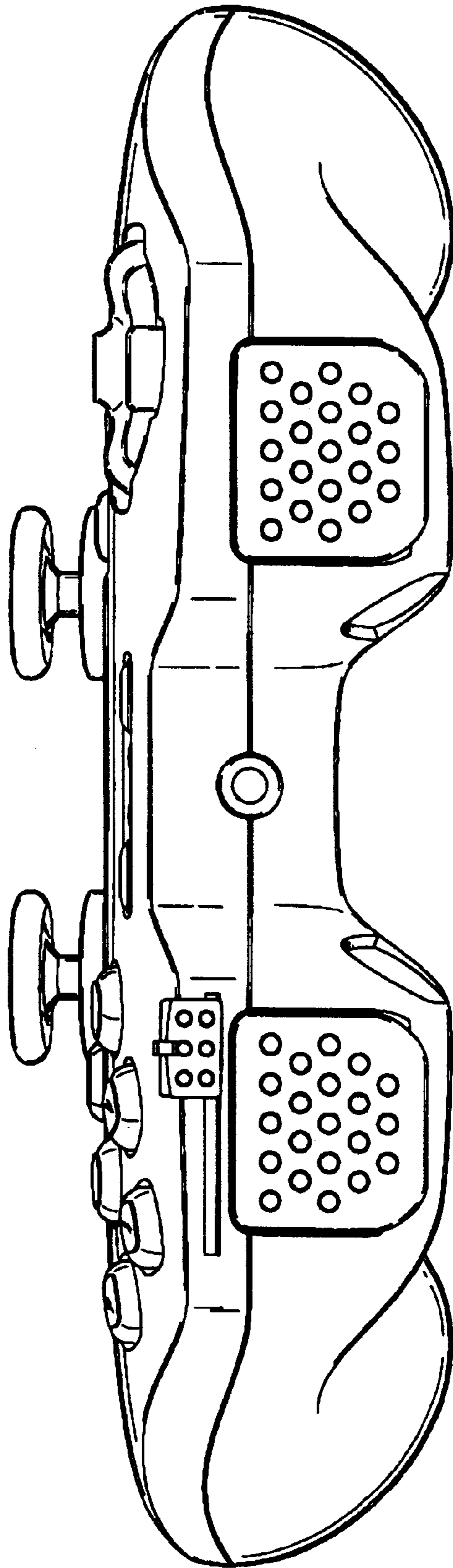


FIG. 2

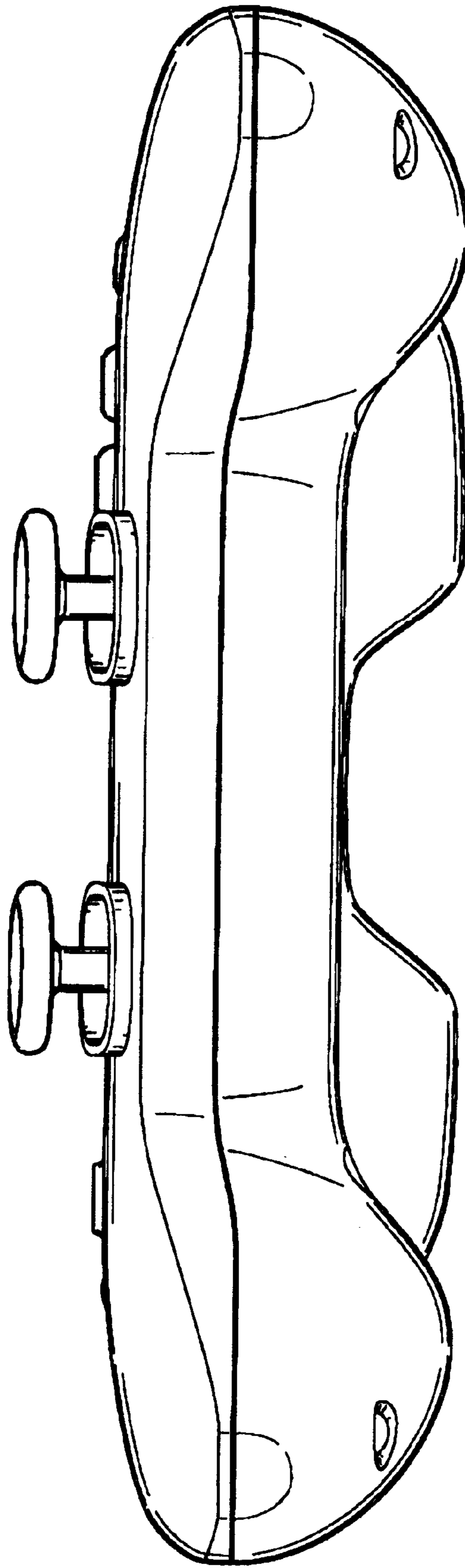


FIG. 3

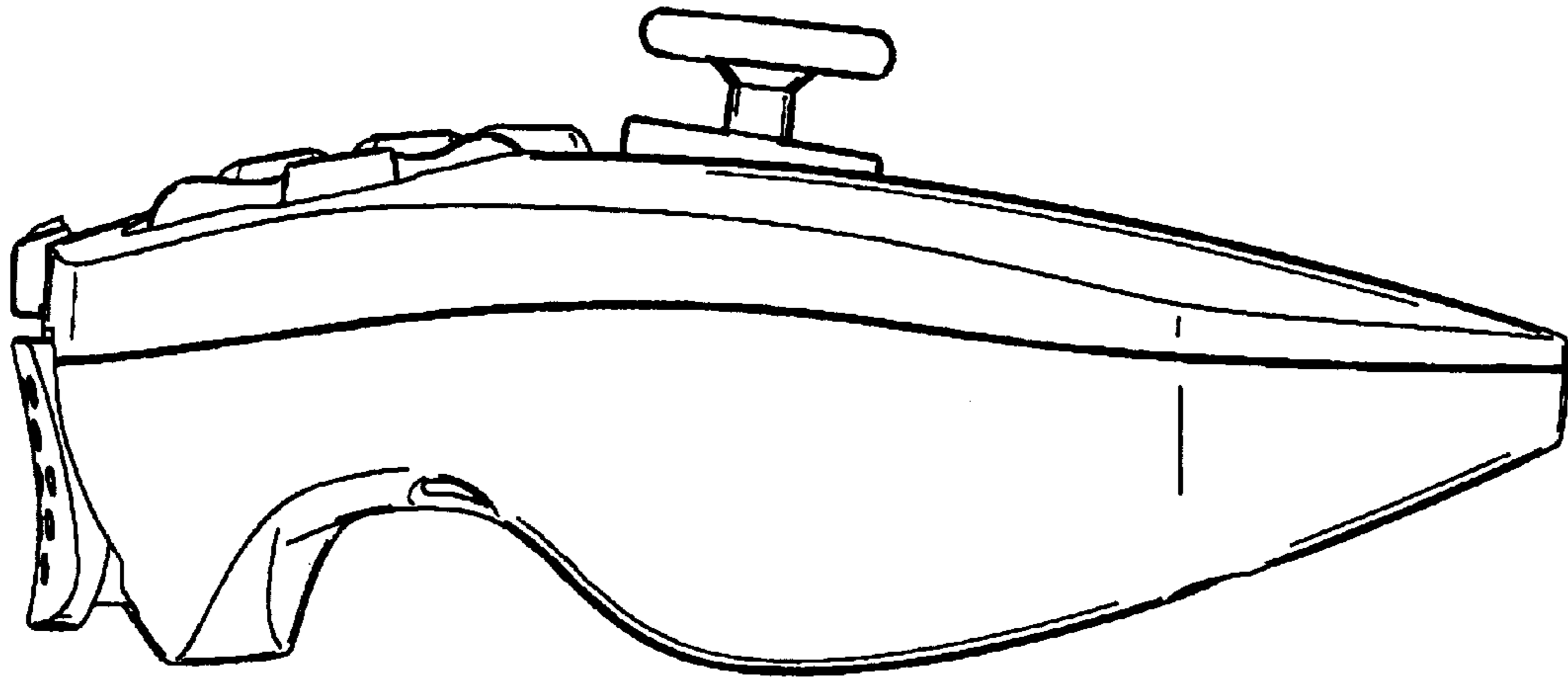


FIG. 4

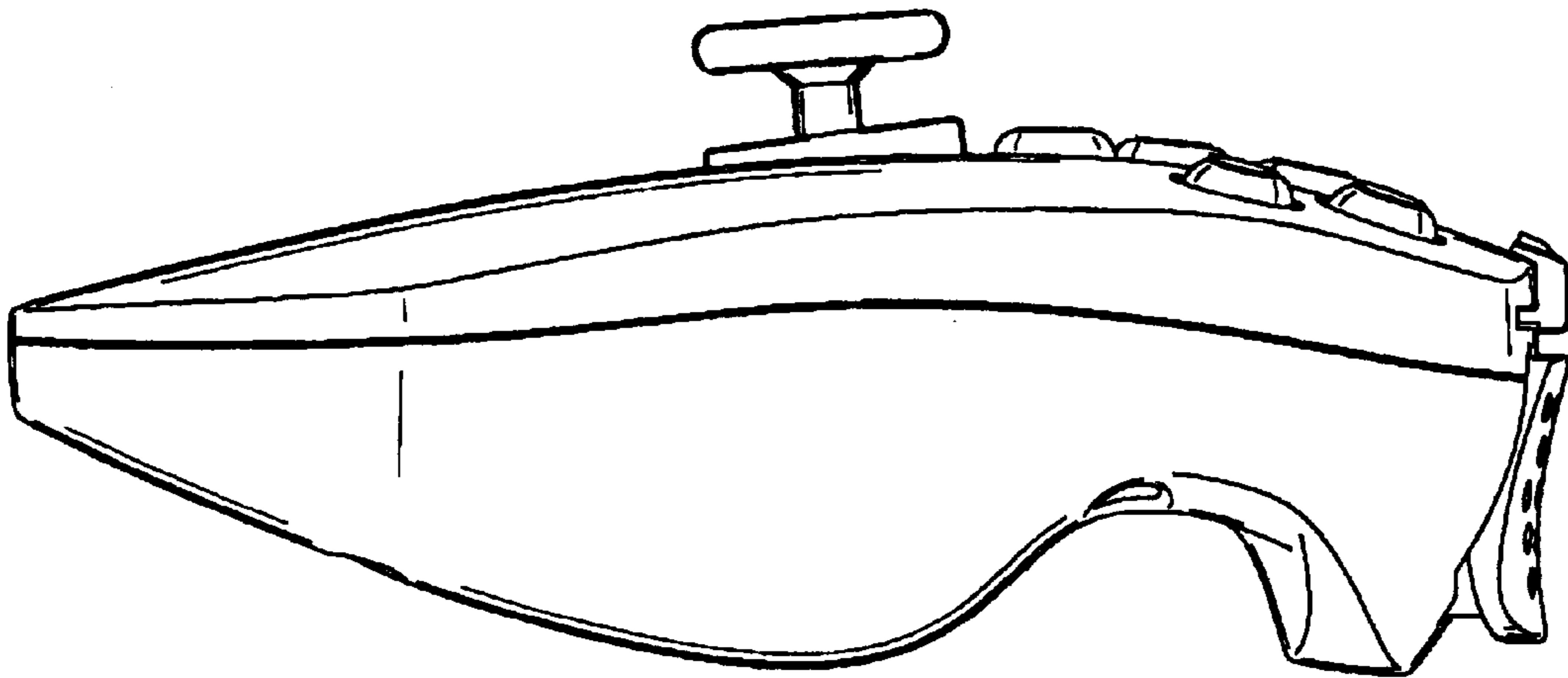


FIG. 5

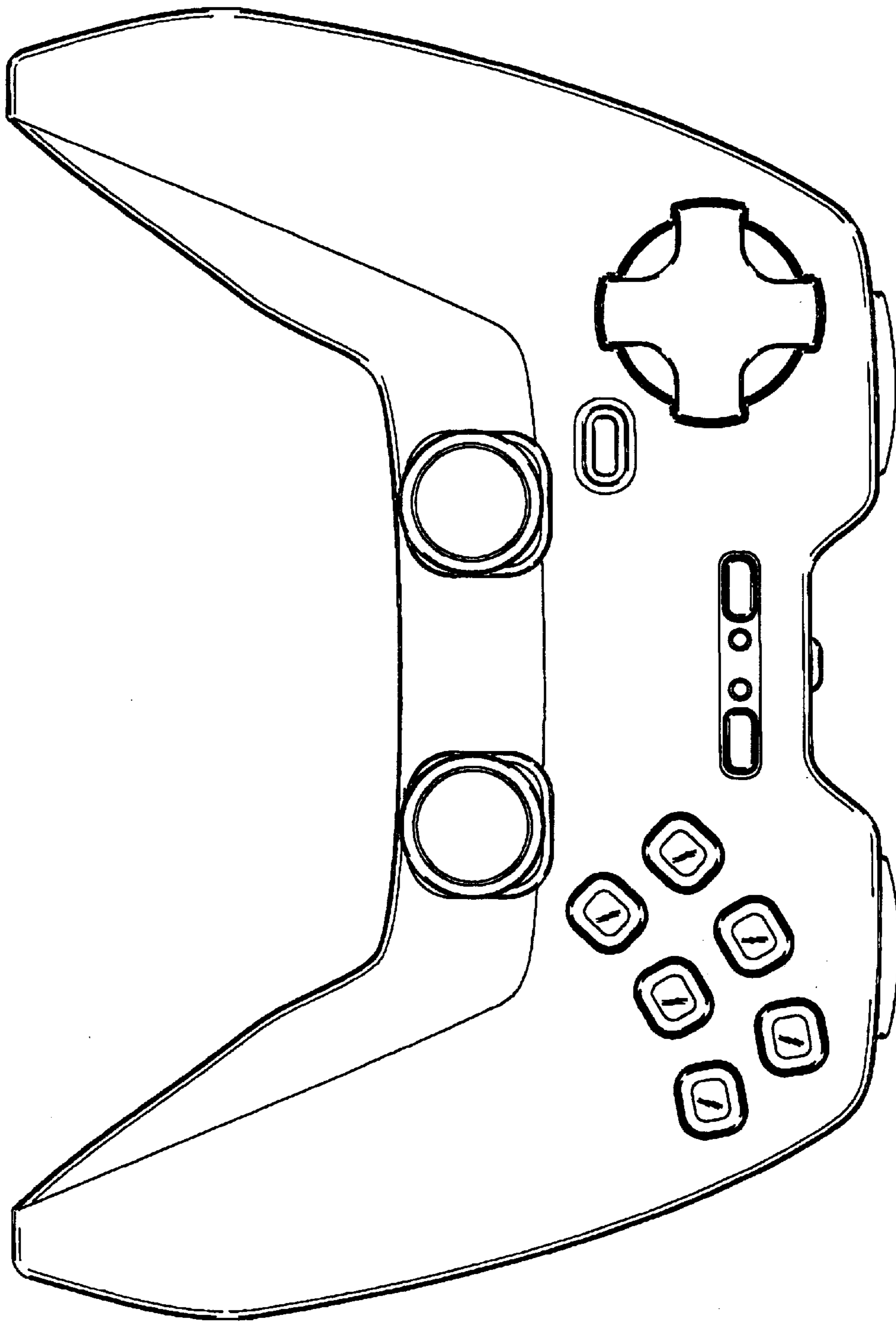


FIG. 6

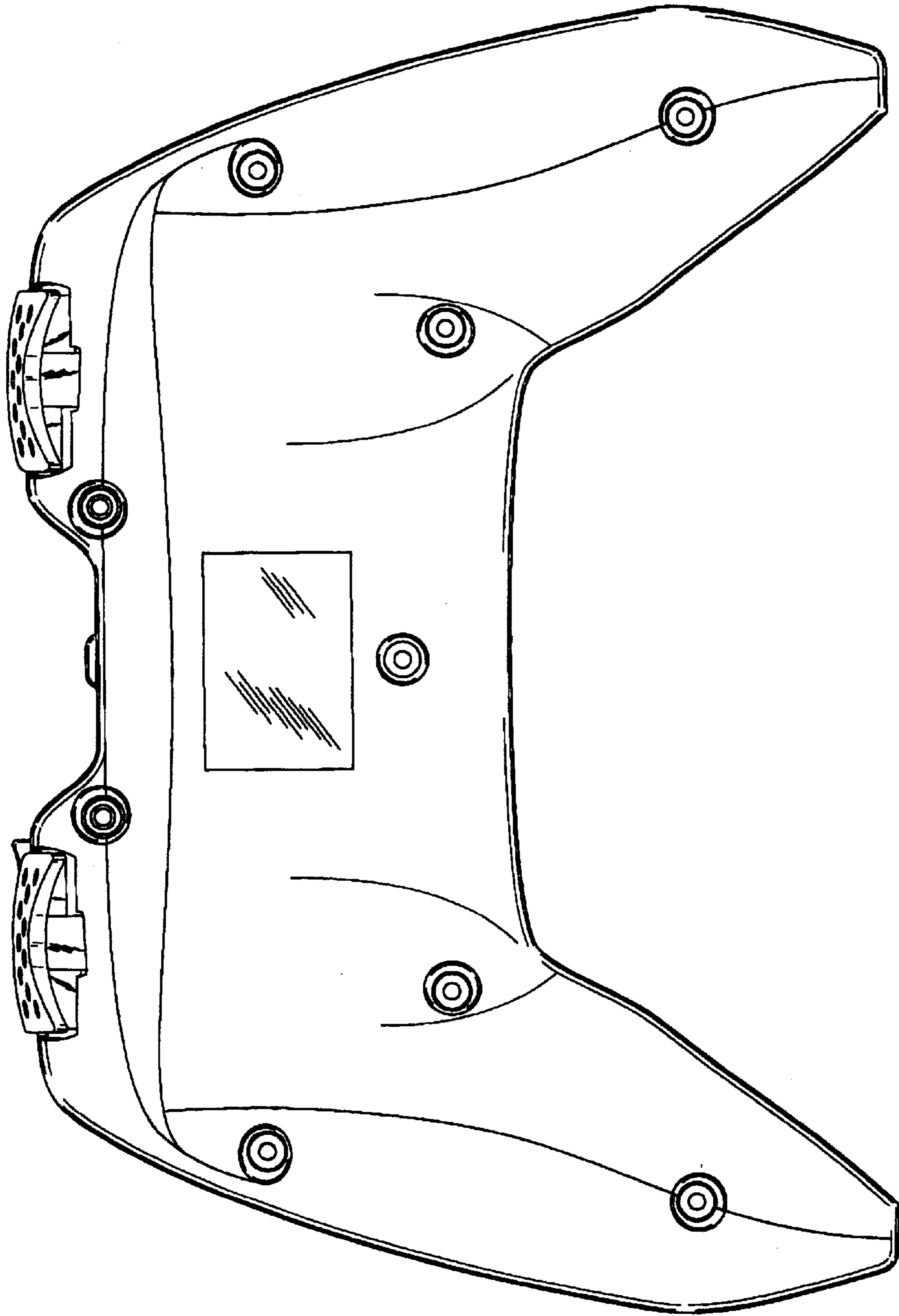


FIG. 7