



US00D464956S

(12) **United States Design Patent**
Hill et al.

(10) **Patent No.:** **US D464,956 S**

(45) **Date of Patent:** **** Oct. 29, 2002**

(54) **OUTDOOR COMMUNICATIONS PANEL**

(75) Inventors: **Peter G. Hill**, Ottawa (CA); **Clifford D. Read**, Carp (CA); **Mark J. Sonderegger**, Kanata (CA); **Jacques J. Gagnon**, Nepean (CA); **Vincent E. Somoza**, Kanata (CA); **Marek Bugajski**, Norcross, GA (US); **Quintin A. Boe**, Lilburn, GA (US); **Michael Horton**, Plano, TX (US)

(73) Assignee: **Nortel Networks Limited**, St. Laurent (CA)

(**) Term: **14 Years**

(21) Appl. No.: **29/133,163**

(22) Filed: **Nov. 24, 2000**

(51) **LOC (7) Cl.** **14-03**

(52) **U.S. Cl.** **D14/240; D13/152**

(58) **Field of Search** D14/137, 240, D14/138, 242, 308, 356, 357, 358, 311, 313, 441, 144, 348-355, 370, 341-347, 125, 432, 433, 155, 299, 257, 439, 140, 188, 230, 241, 243, 245; 379/433.01-433.13, 419, 434, 428.01-428.04, 420.01-420.04, 440, 441, 442; 455/550-575, 90; D13/184, 123, 152, 147, 110

(56) **References Cited**

U.S. PATENT DOCUMENTS

D328,591	*	8/1992	Yokoi et al.	D14/357
D331,546	*	12/1992	Pringle	D10/106
D346,583	*	5/1994	Mohri	D13/108

D351,138	*	10/1994	Shimizu et al.	D13/152
D392,645	*	3/1998	Wakabayashi	D14/240
5,745,338	*	4/1998	Bartolo et al.	361/637
D402,293	*	12/1998	Kodaira et al.	D14/217
D411,535	*	6/1999	Beaumont et al.	D14/137
D412,313	*	7/1999	Hughes	D13/152
D413,323	*	8/1999	Tashiro	D14/357
D413,572	*	9/1999	Byrd et al.	D13/146
D413,863	*	9/1999	Tennefoss et al.	D13/147
D418,822	*	1/2000	Worley et al.	D14/356
D432,082	*	10/2000	Chang	D13/123
D432,987	*	10/2000	Seo et al.	D13/123
D443,586	*	6/2001	Sakasegawa	D13/123
D443,587	*	6/2001	Sakasegawa	D13/123
D446,207	*	8/2001	Matthes et al.	D14/299
6,328,612	*	12/2001	Chung	439/717
D453,154	*	1/2002	Astradsson	D14/240
D454,556	*	3/2002	Schmidt et al.	D14/240

* cited by examiner

Primary Examiner—Jeffrey Asch

(74) *Attorney, Agent, or Firm*—Nortel Networks

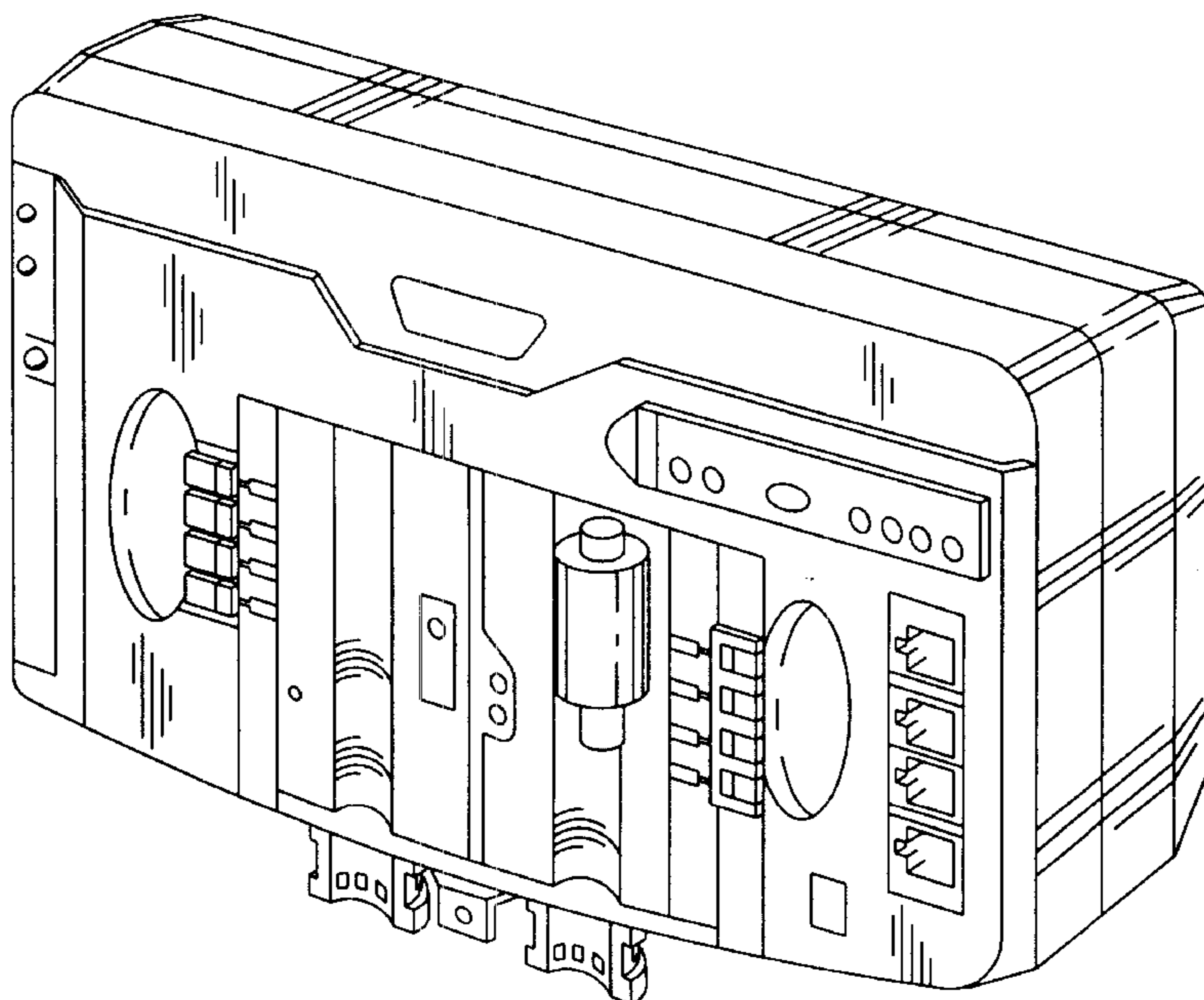
(57) **CLAIM**

The ornamental design for an outdoor communications panel, as shown.

DESCRIPTION

FIG. 1 is a perspective view thereof;
FIG. 2 is a top view thereof;
FIG. 3 is a bottom view thereof;
FIG. 4 is a front view thereof;
FIG. 5 is a back view thereof;
FIG. 6 is a right side view thereof; and,
FIG. 7 is a left side view thereof.

1 Claim, 4 Drawing Sheets



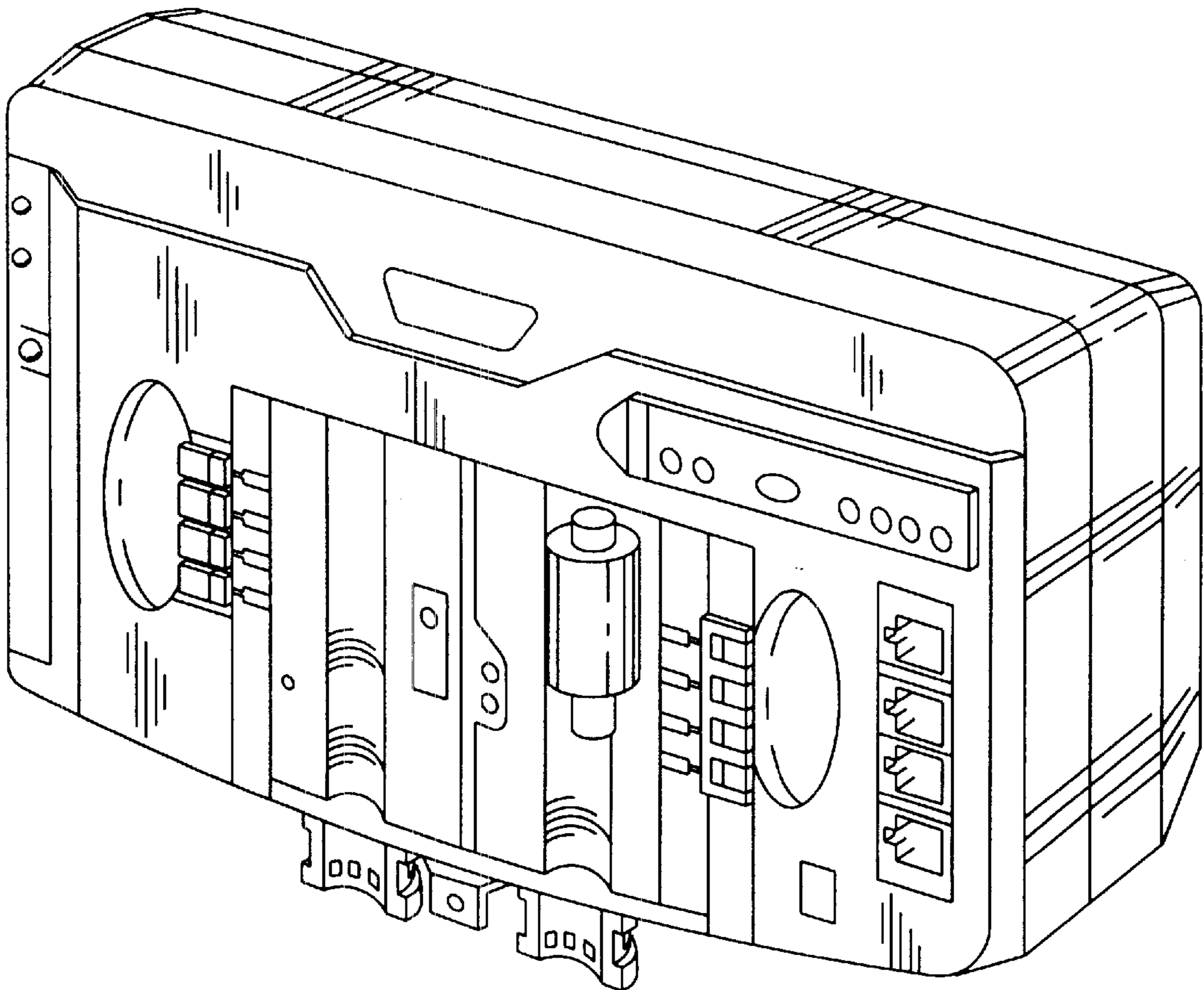


FIG. 1

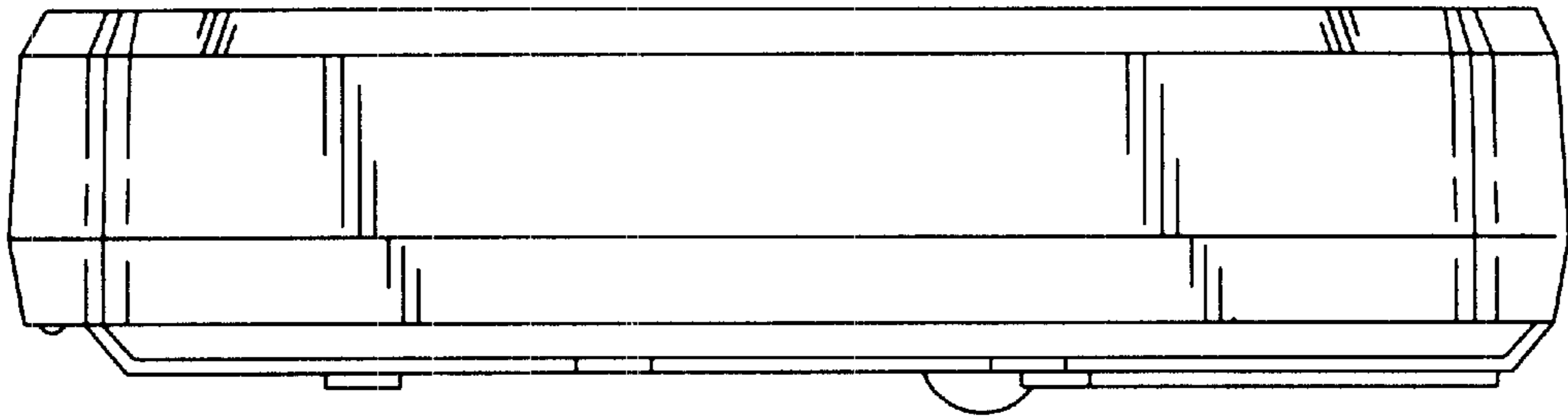


FIG. 2

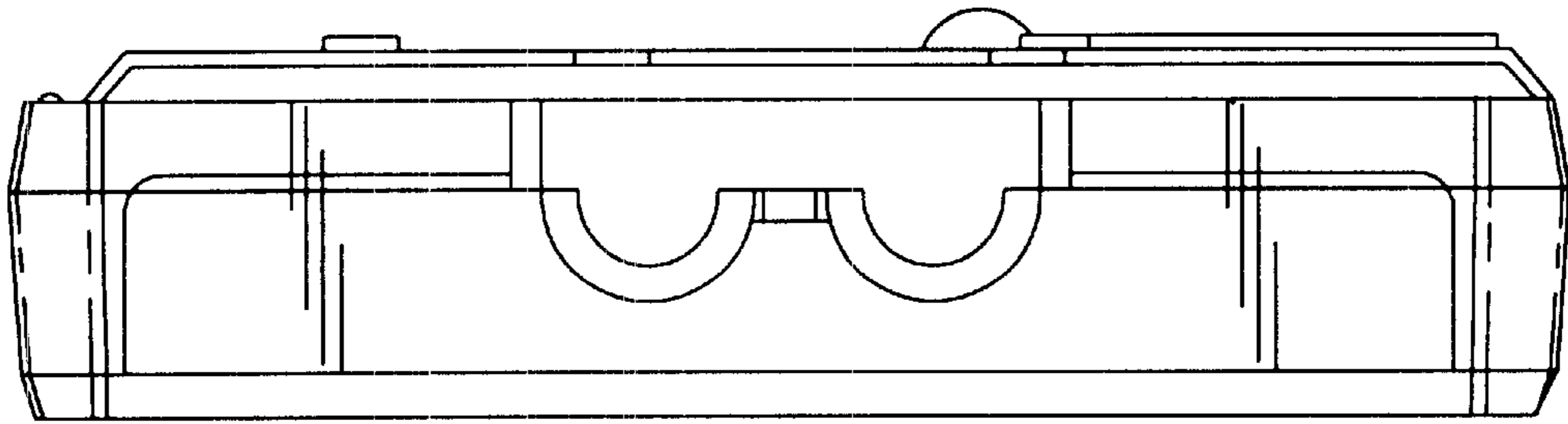


FIG. 3

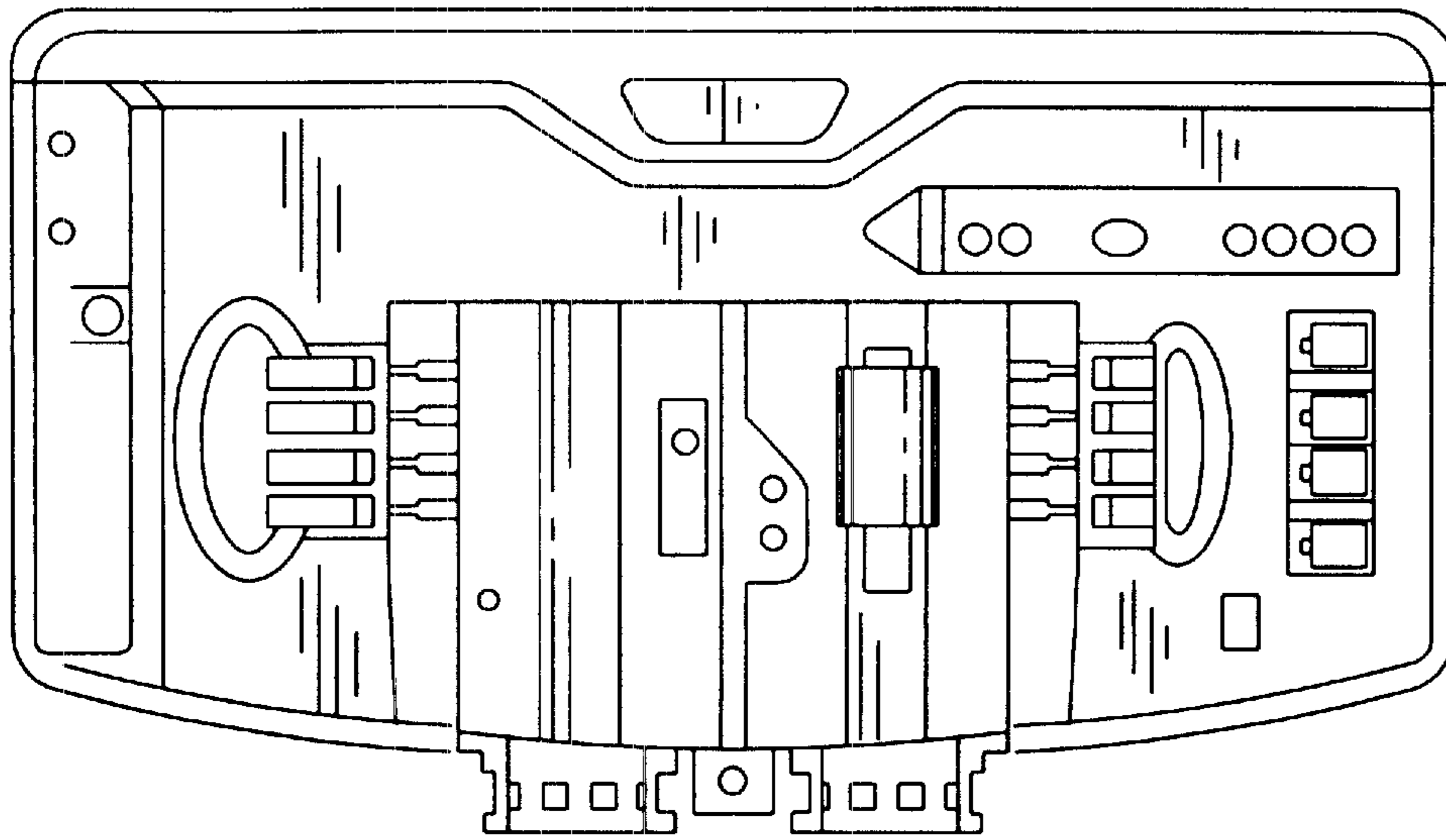


FIG. 4

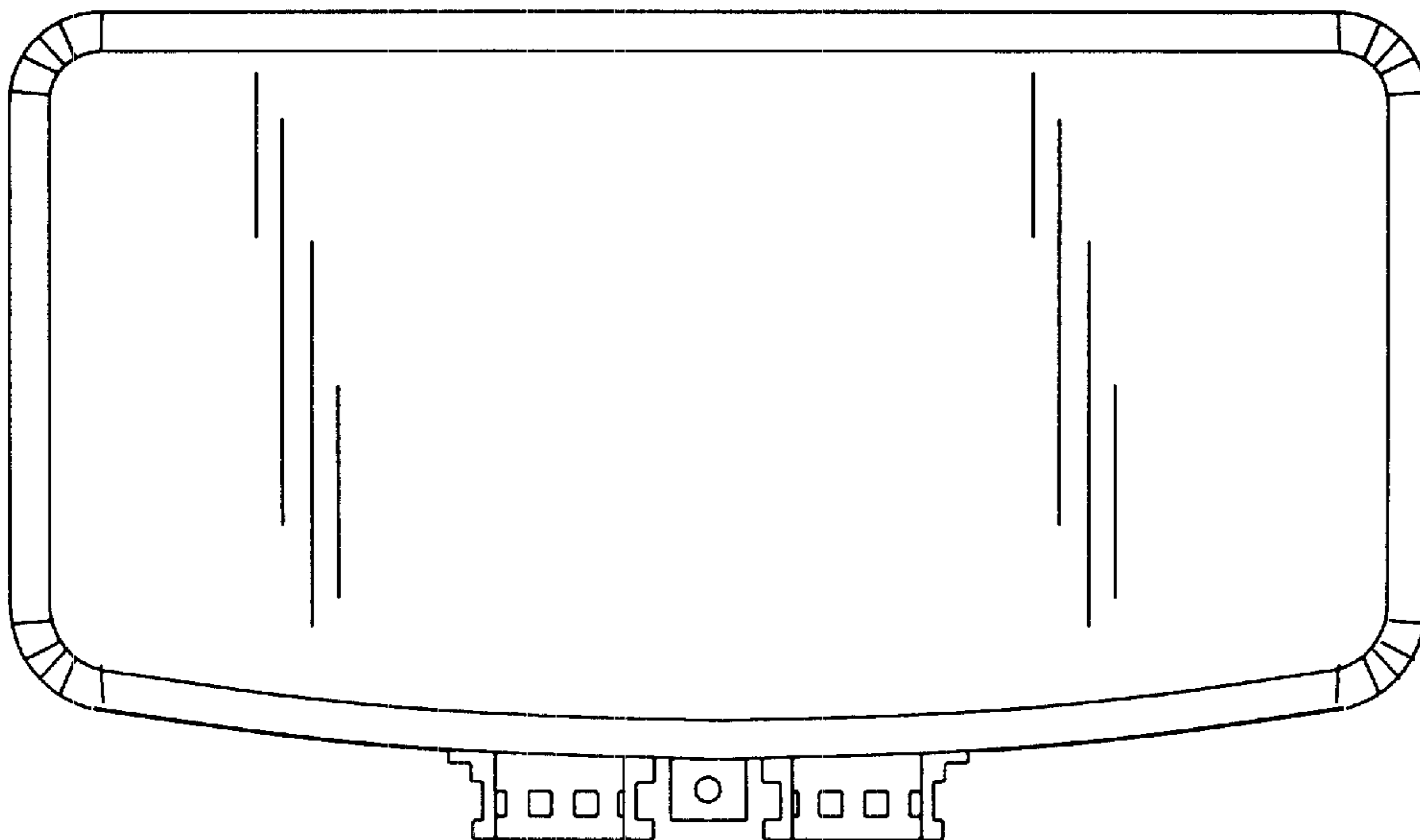


FIG. 5

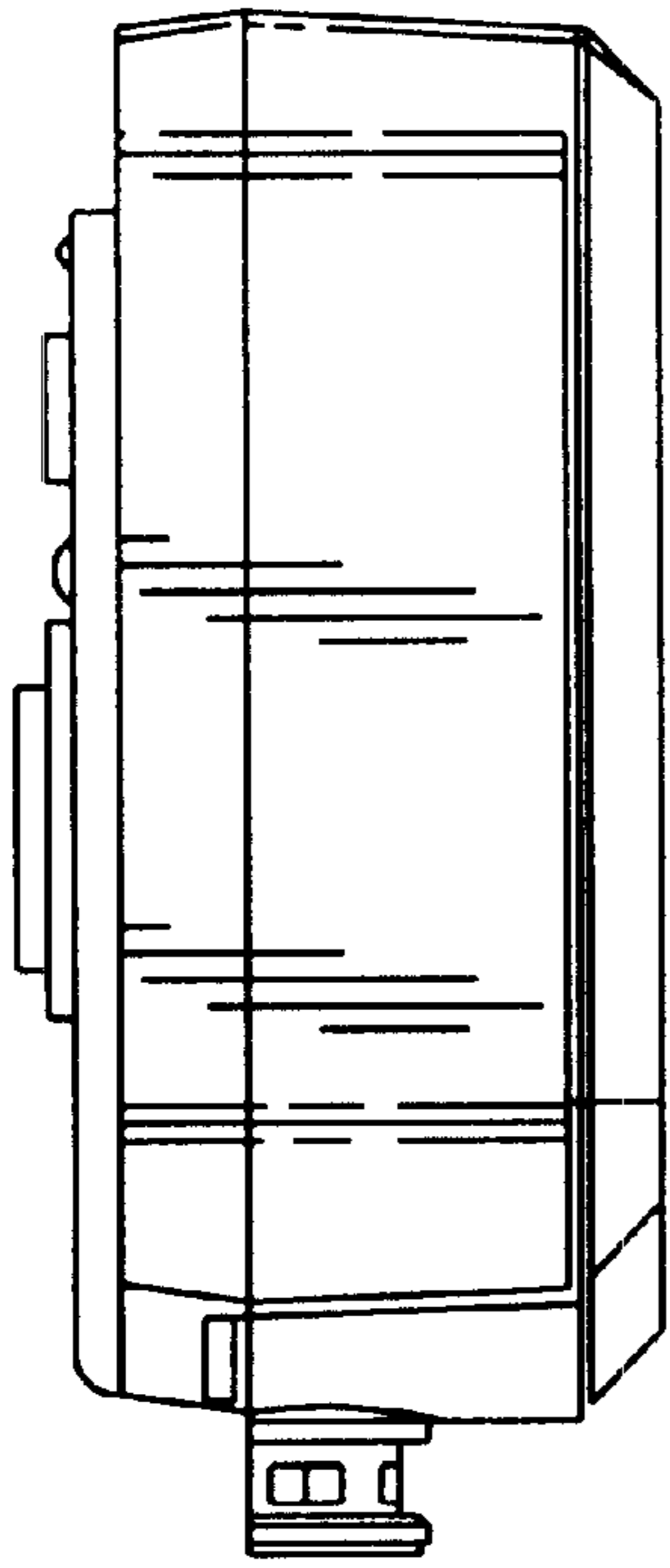


FIG. 6

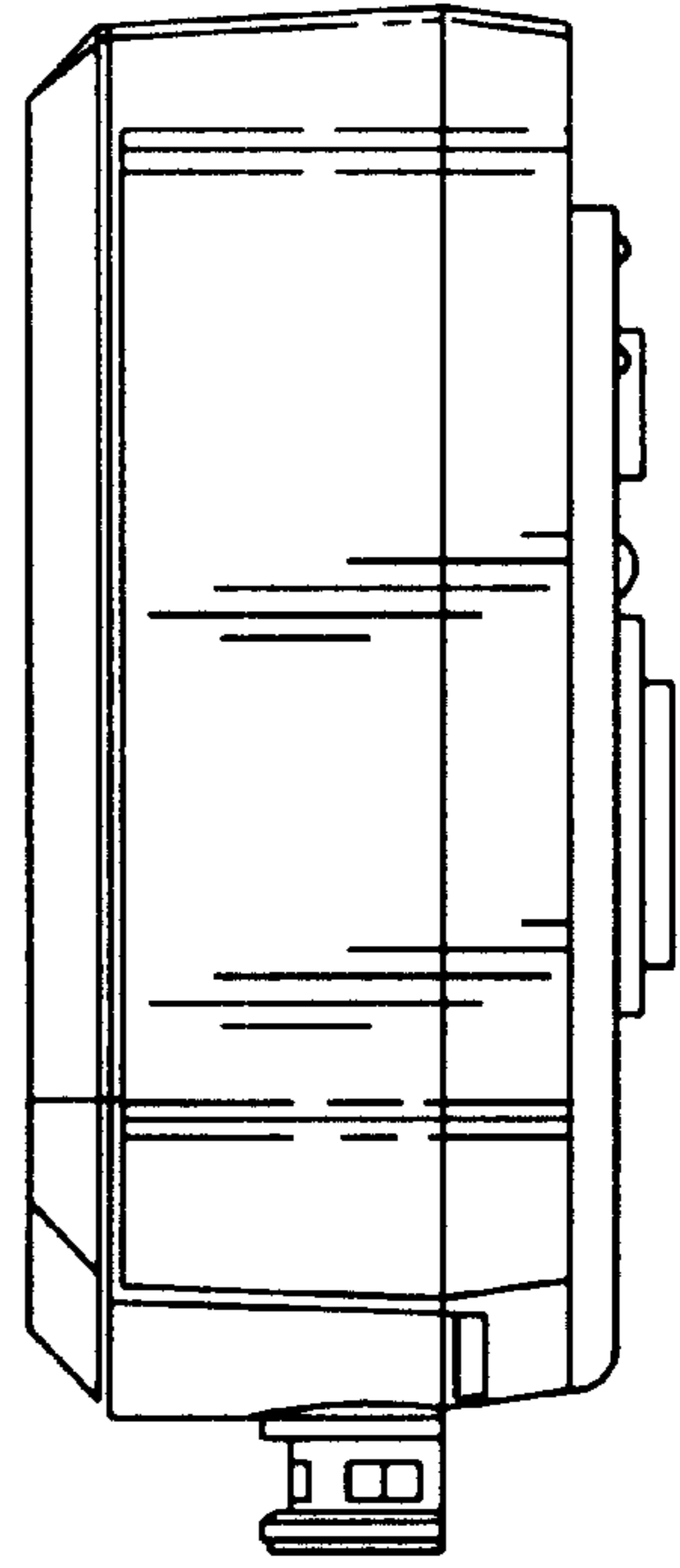


FIG. 7