



US00D464955S

(12) **United States Design Patent**
Lenz et al.

(10) **Patent No.:** **US D464,955 S**

(45) **Date of Patent:** **** Oct. 29, 2002**

(54) **HARDHAT LIP SPEAKER OR MIKE MOUNT**

(75) Inventors: **Vernon C. Lenz**, Union Gap, WA (US);
Chris Roose, Yakima, WA (US)

(73) Assignee: **Golden West Communications, Inc.**,
Union Gap, WA (US)

(**) Term: **14 Years**

(21) Appl. No.: **29/149,342**

(22) Filed: **Oct. 9, 2001**

(51) **LOC (7) Cl.** **14-01**

(52) **U.S. Cl.** **D14/229**

(58) **Field of Search** D14/229; D8/349;
D29/100, 103; 2/6.2, 6.3, 5, 422; 362/105,
106; 224/181, 271; D26/138; 381/75

(56) **References Cited**

U.S. PATENT DOCUMENTS

3,258,534 A * 6/1966 Goldsworthy 381/75
D236,584 S * 9/1975 Svahn D8/349
D333,012 S * 2/1993 Fleming D26/138
5,581,806 A * 12/1996 Capdepuy et al. 2/6.2

5,658,065 A * 8/1997 Jamieson 362/106

5,697,099 A * 12/1997 Siska, Jr. et al. 2/5

D392,071 S * 3/1998 Berke D29/103

5,857,599 A * 1/1999 Palmer 224/181

* cited by examiner

Primary Examiner—Paula A. Mortimer

(74) *Attorney, Agent, or Firm*—Leon D. Rosen

(57) **CLAIM**

The ornamental design for hardhat lip speaker or mike mount, as shown and described.

DESCRIPTION

FIG. 1 is a front and left isometric view of a hardhat lip speaker or mike mount showing our new design, the broken line showing of the hardhat lip and speaker is for illustrative purposes only and forms no part of the claimed design;

FIG. 2 is a front elevation view of the mount.

FIG. 3 is a left side view thereof.

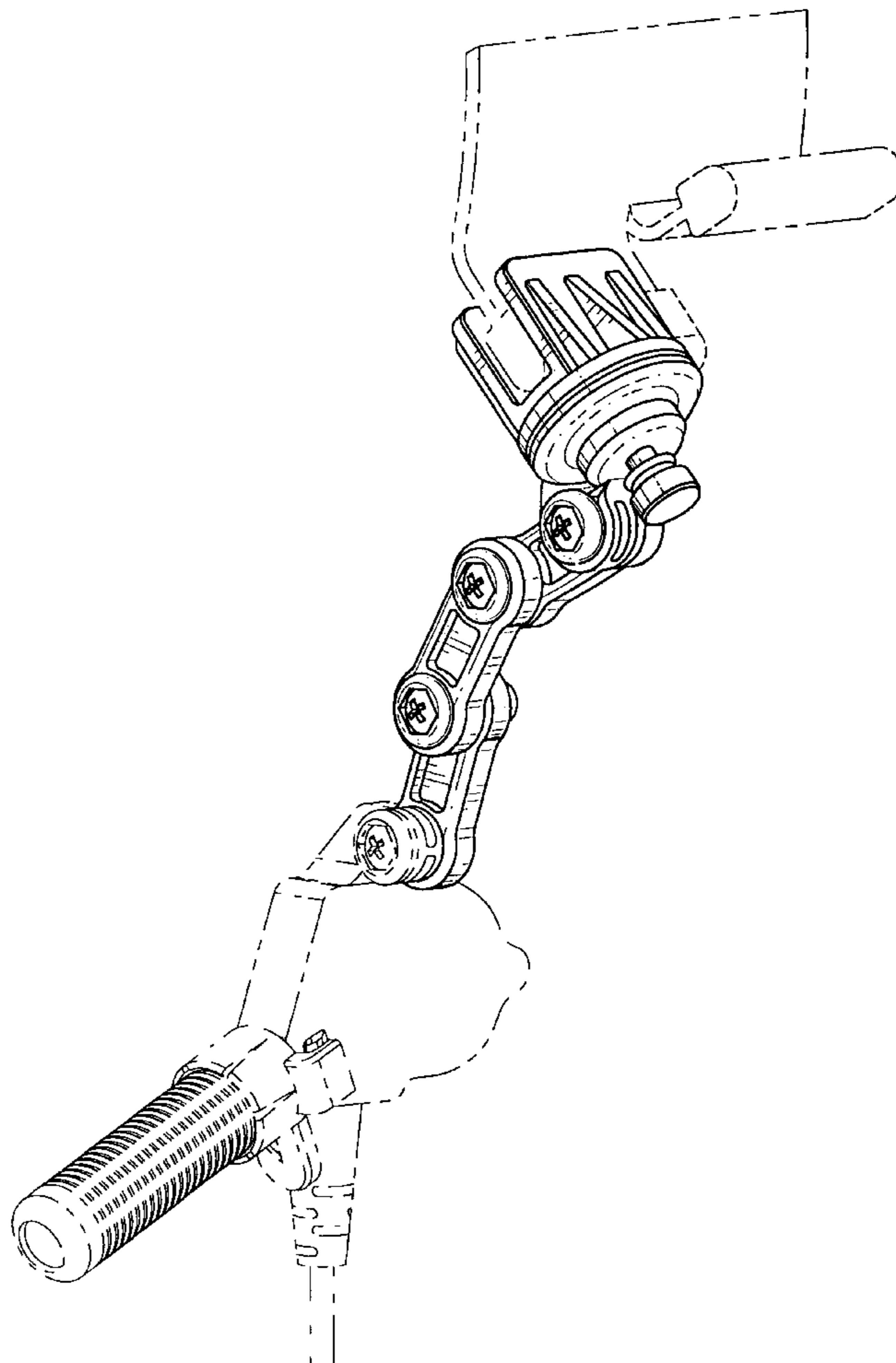
FIG. 4 is a right side view thereof.

FIG. 5 is a rear view thereof.

FIG. 6 is a top view thereof; and,

FIG. 7 is a bottom view thereof.

1 Claim, 3 Drawing Sheets



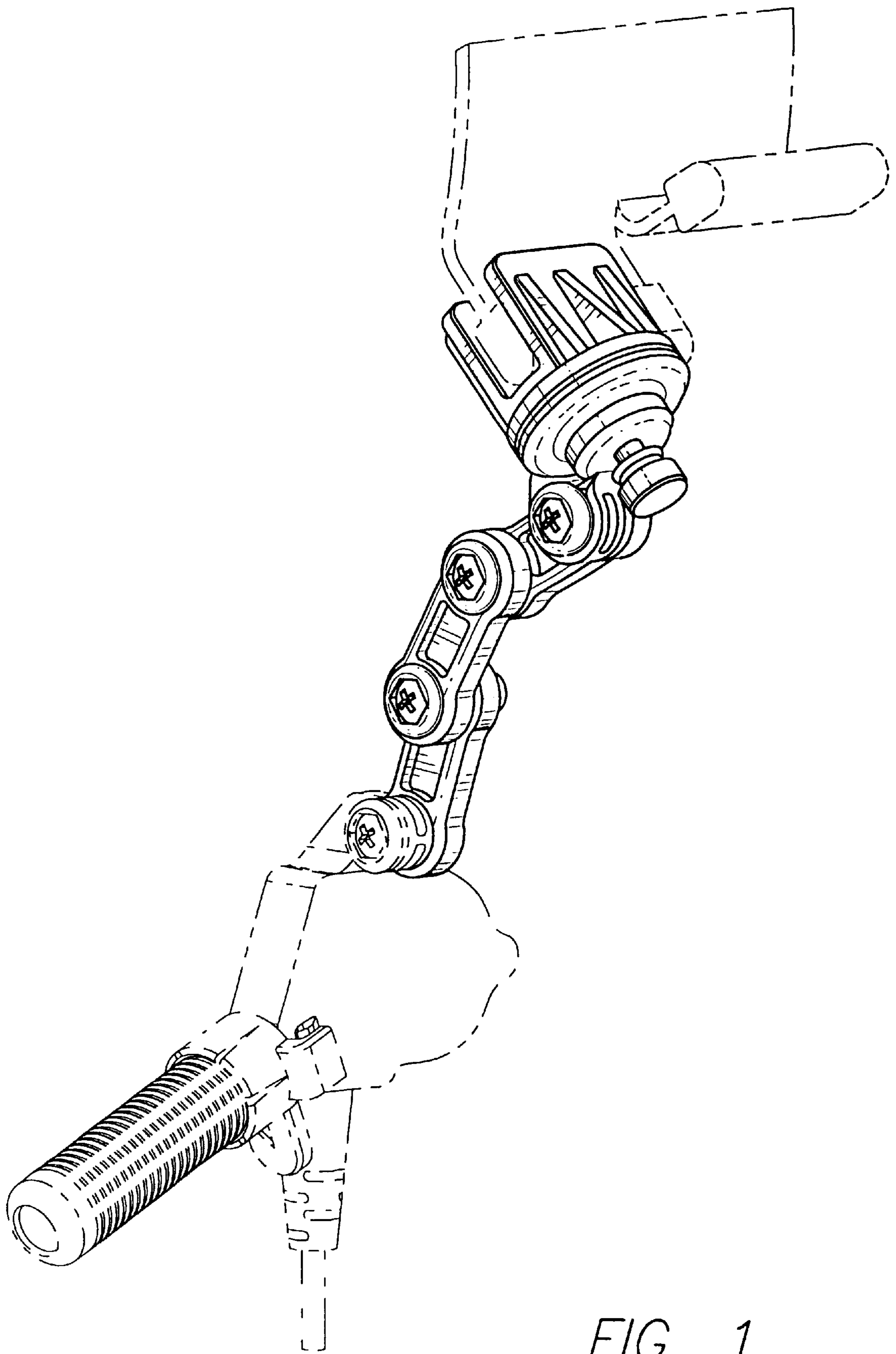


FIG. 1

FIG. 2

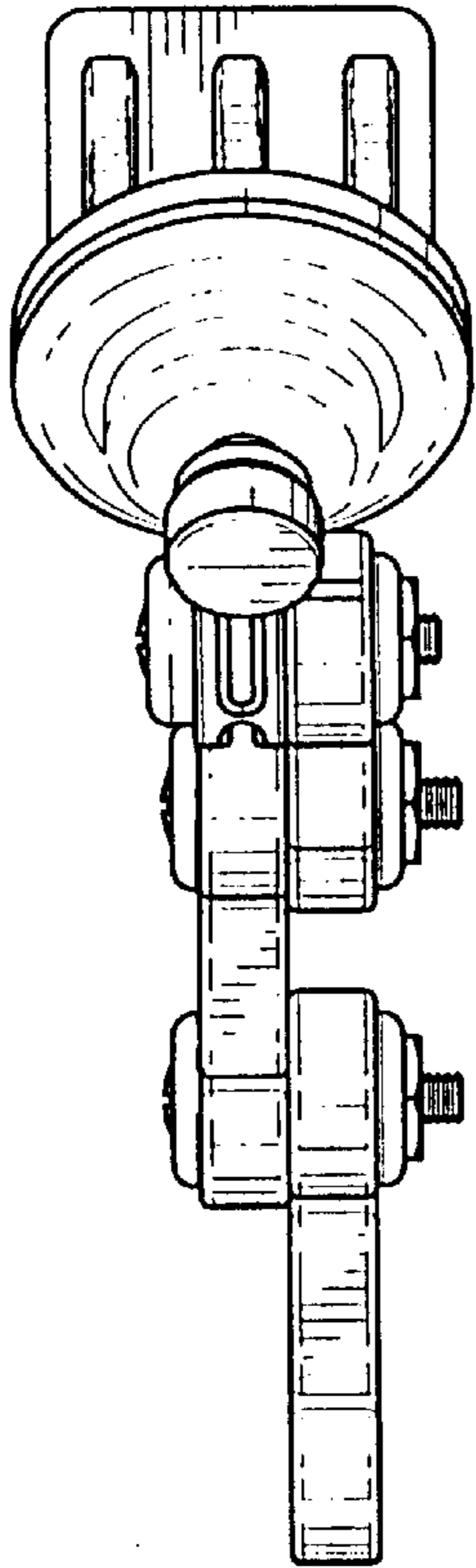


FIG. 5

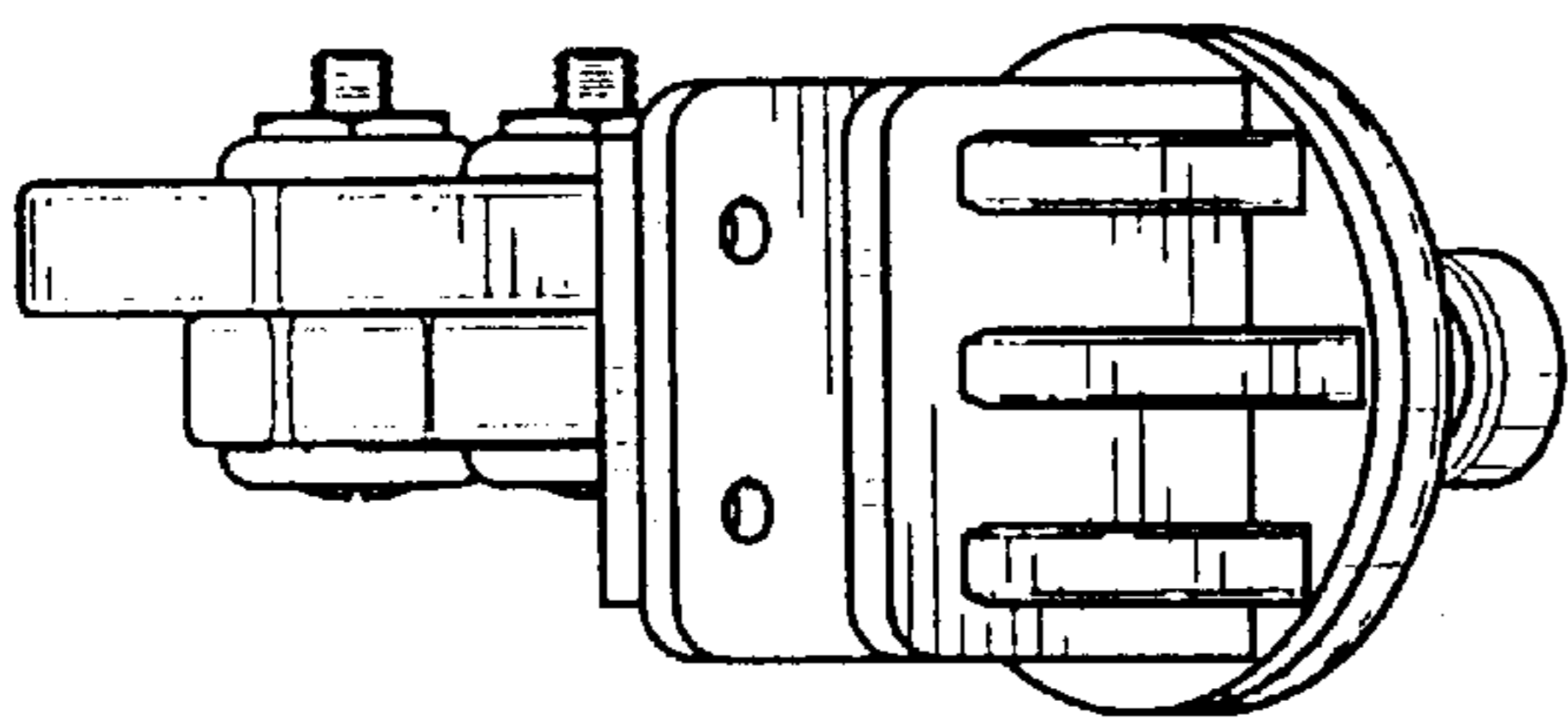
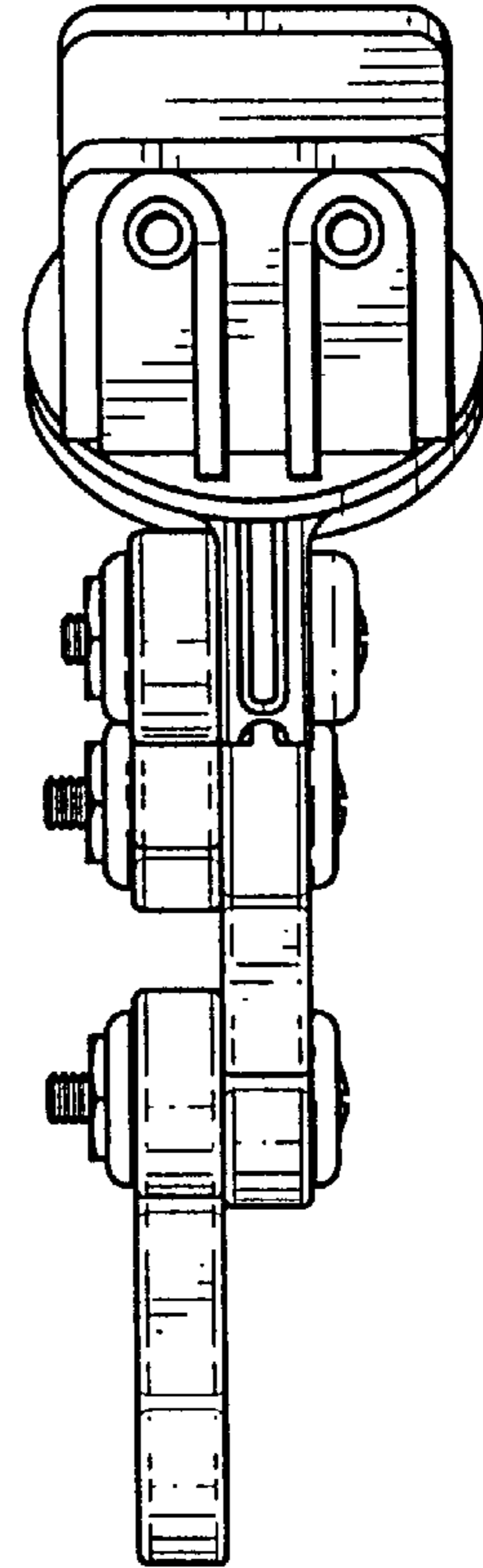


FIG. 6

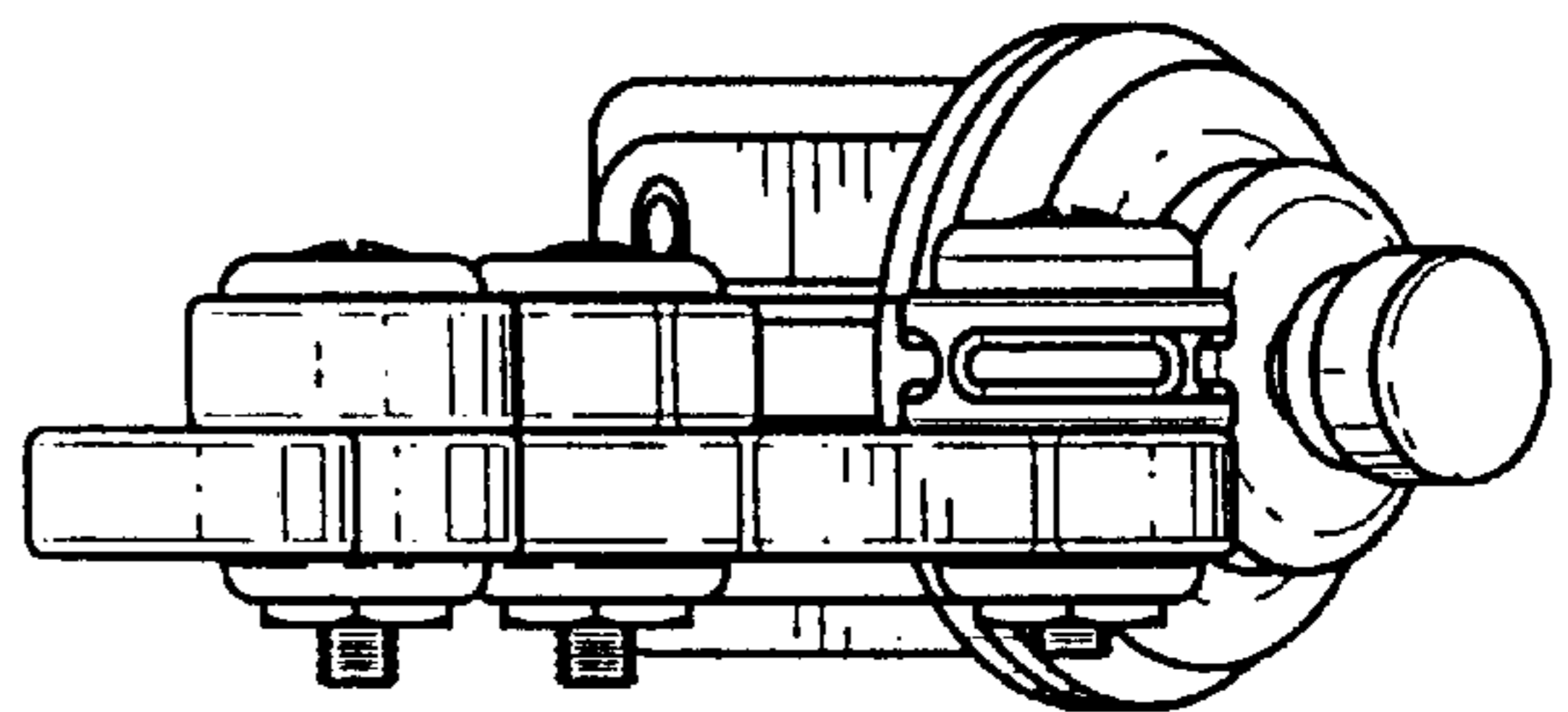


FIG. 7

FIG. 3

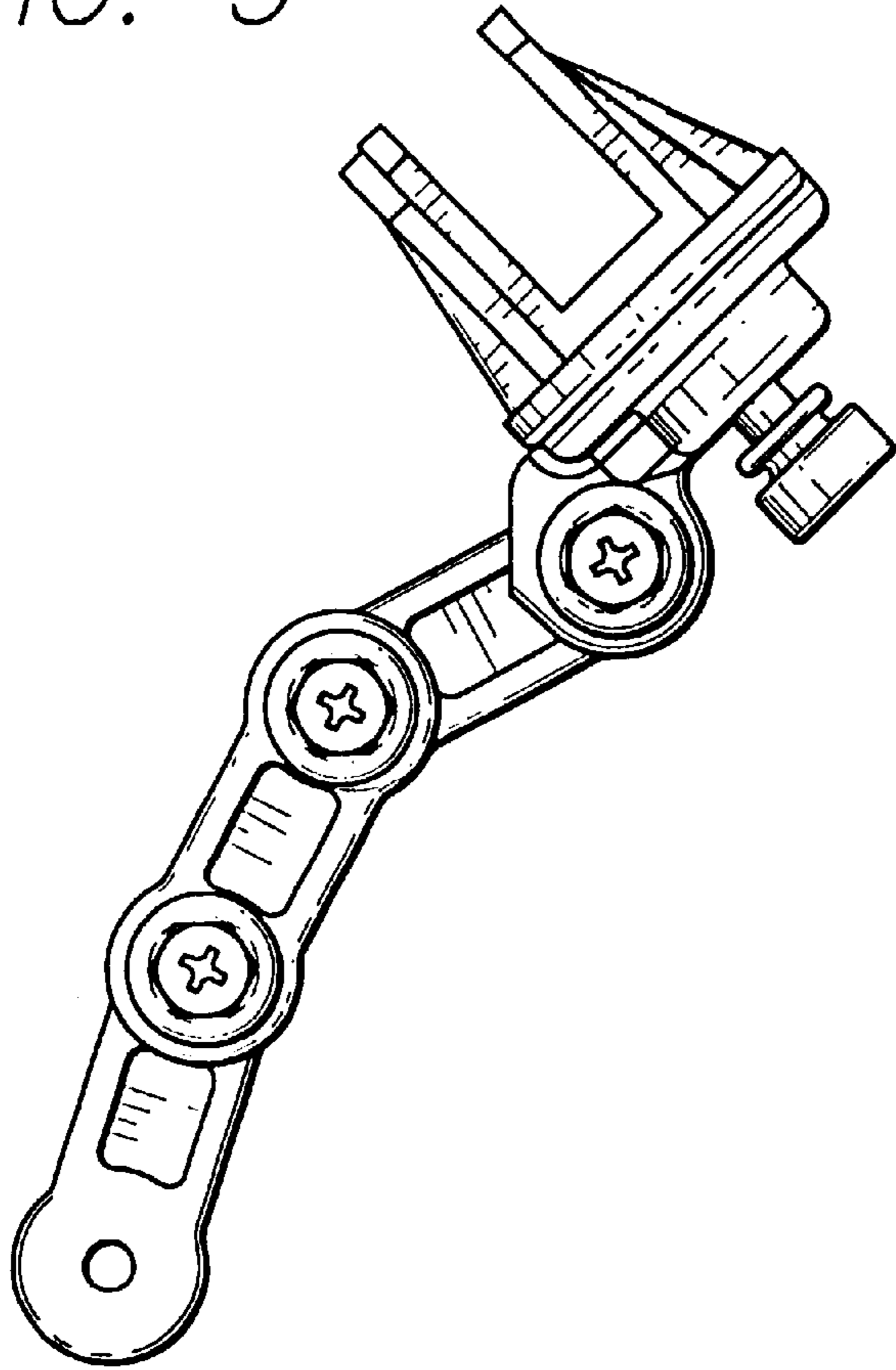


FIG. 4

