

US00D464954S

(12) **United States Design Patent**  
**Lenz et al.**

(10) **Patent No.:** **US D464,954 S**

(45) **Date of Patent:** **\*\* Oct. 29, 2002**

(54) **HARDHAT CUSHION ATTACHED SPEAKER OR MIKE MOUNT**

(75) Inventors: **Vernon C. Lenz**, Union Gap, WA (US);  
**Chris Roose**, Yakima, WA (US)

(73) Assignee: **Golden West Communication, Inc.**,  
Union Gap, WA (US)

(\*\*) Term: **14 Years**

(21) Appl. No.: **29/147,606**

(22) Filed: **Aug. 31, 2001**

(51) **LOC (7) Cl.** ..... **14-01**

(52) **U.S. Cl.** ..... **D14/229**

(58) **Field of Search** ..... D14/229; D8/349;  
D29/100, 103; 2/6.2, 6.3, 5, 422; 362/105,  
106; 224/181, 271; D26/138; 381/75

(56) **References Cited**

**U.S. PATENT DOCUMENTS**

3,258,534 A \* 6/1966 Goldsworthy ..... 381/75  
D236,584 S \* 9/1975 Svahn ..... D8/349  
D333,012 S \* 2/1993 Fleming ..... D26/138

5,581,806 A \* 12/1996 Capdepuy et al. .... 2/6.2  
5,658,065 A \* 8/1997 Jamieson ..... 362/106  
5,697,099 A \* 12/1997 Isiska, Jr. et al. .... 2/5  
D392,071 S \* 3/1998 Berke ..... D29/103  
5,857,599 A \* 1/1999 Palmer ..... 224/181

\* cited by examiner

*Primary Examiner*—Paula A. Mortimer

(74) *Attorney, Agent, or Firm*—Leon D. Rosen

(57) **CLAIM**

The ornamental design for hardhat cushion attached speaker or mike mount, as shown and described.

**DESCRIPTION**

FIG. 1 is a front elevation view of a hardhat cushion attached speaker mike mount showing my new design, the broken line showing of the hardhat is for illustrative purposes only and forms no part of the claimed design;

FIG. 2 is a rear elevation view thereof.

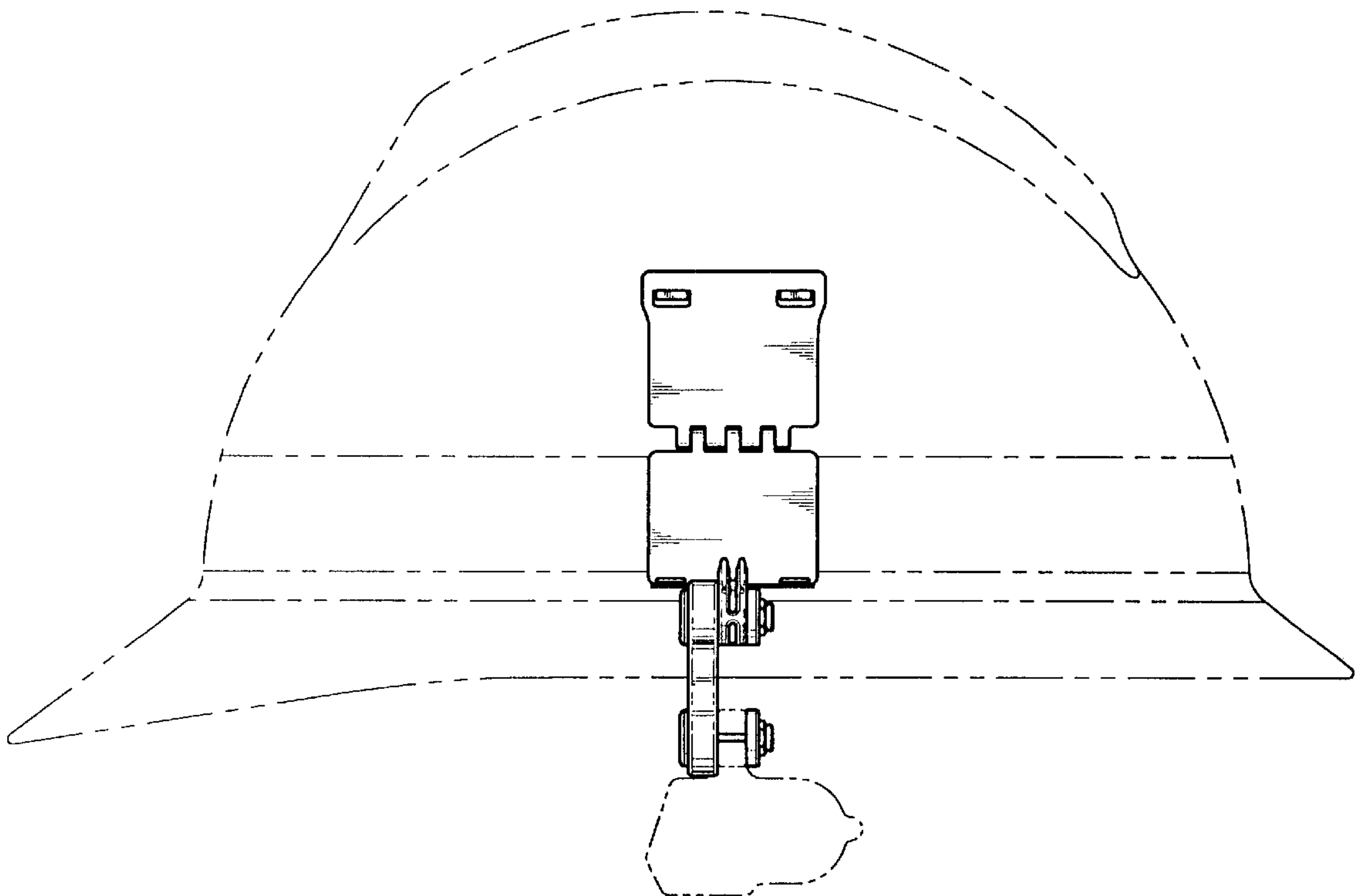
FIG. 3 is a left side view thereof.

FIG. 4 is a right side view thereof.

FIG. 5 is a top view thereof; and,

FIG. 6 is a bottom view thereof.

**1 Claim, 2 Drawing Sheets**



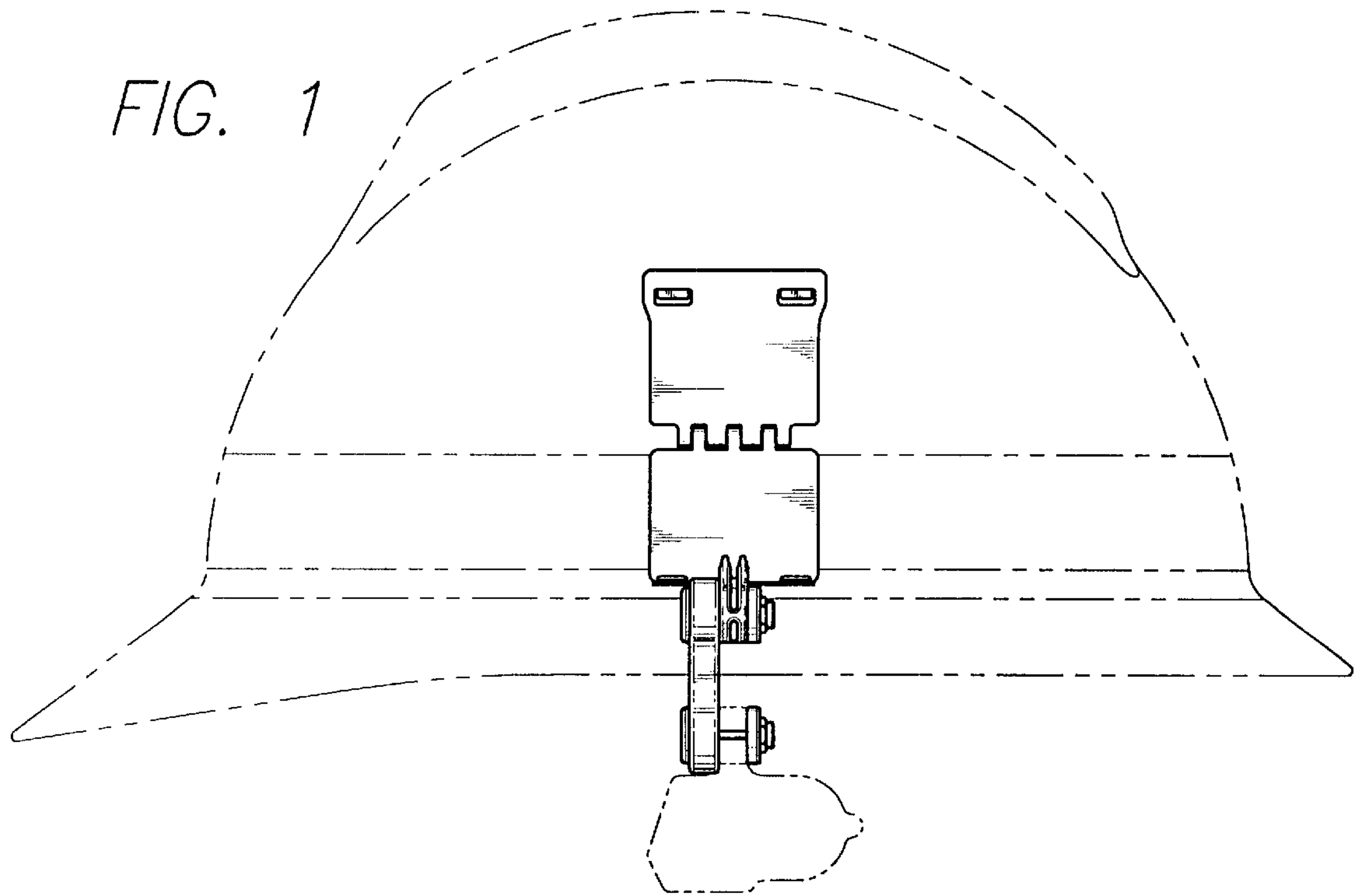
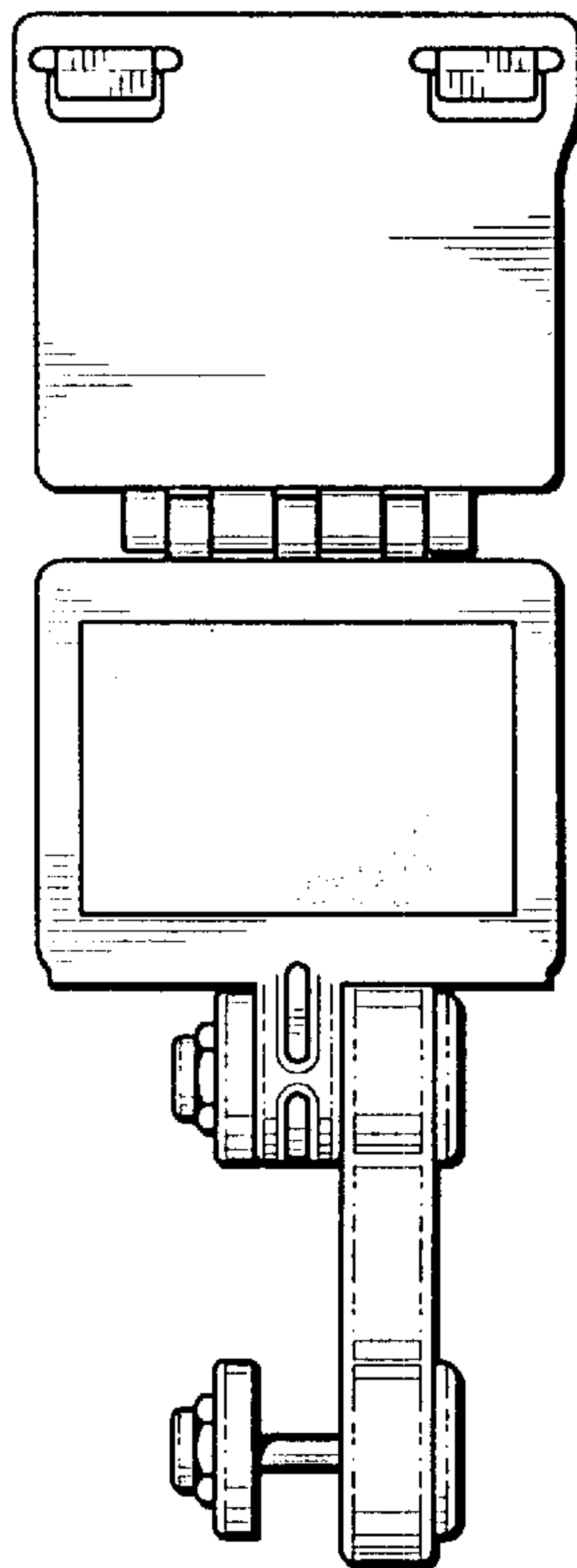


FIG. 2



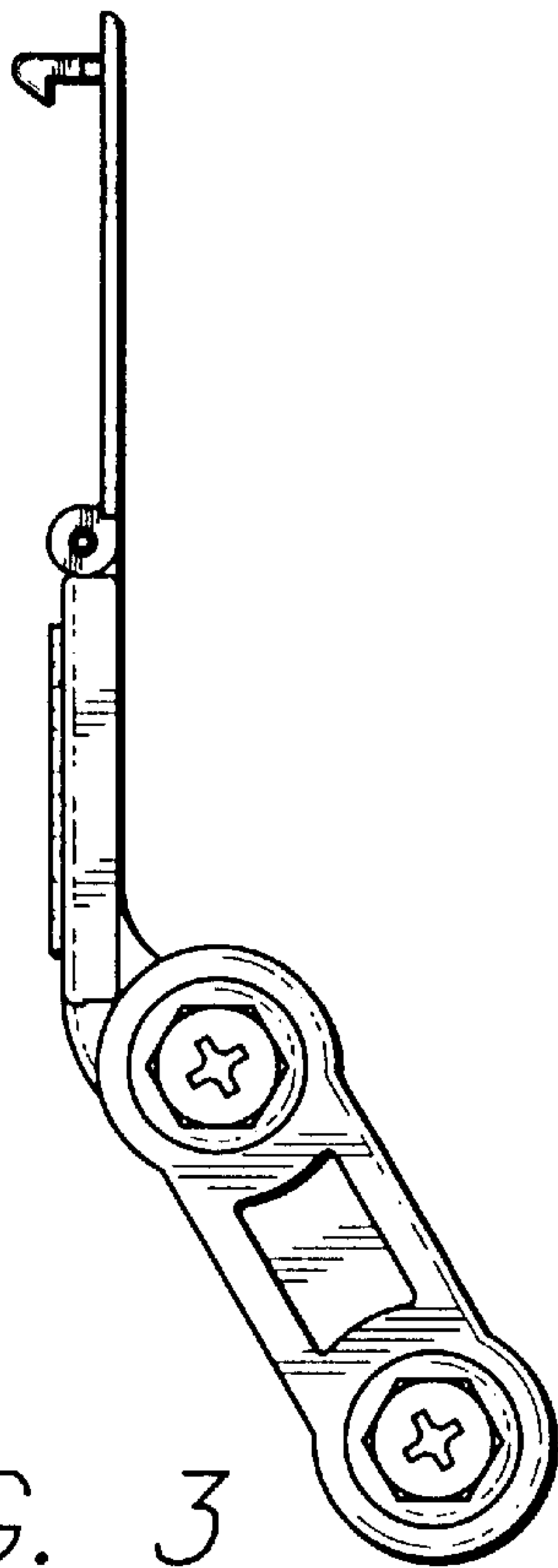


FIG. 3

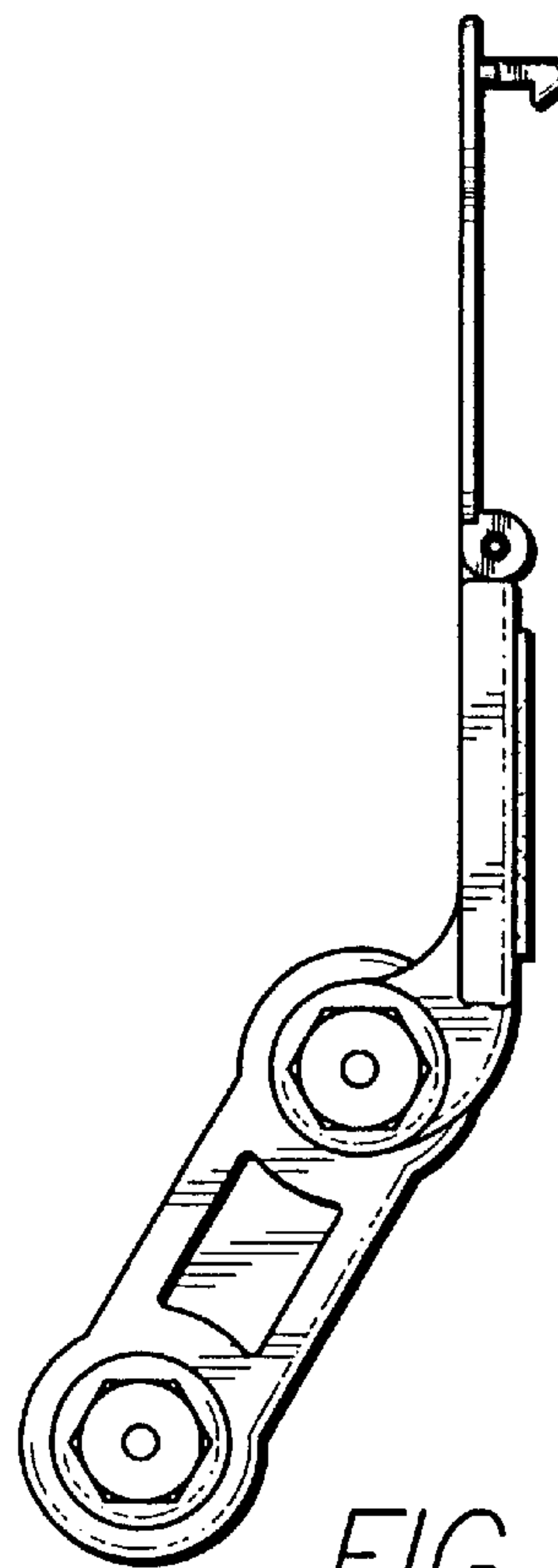


FIG. 4

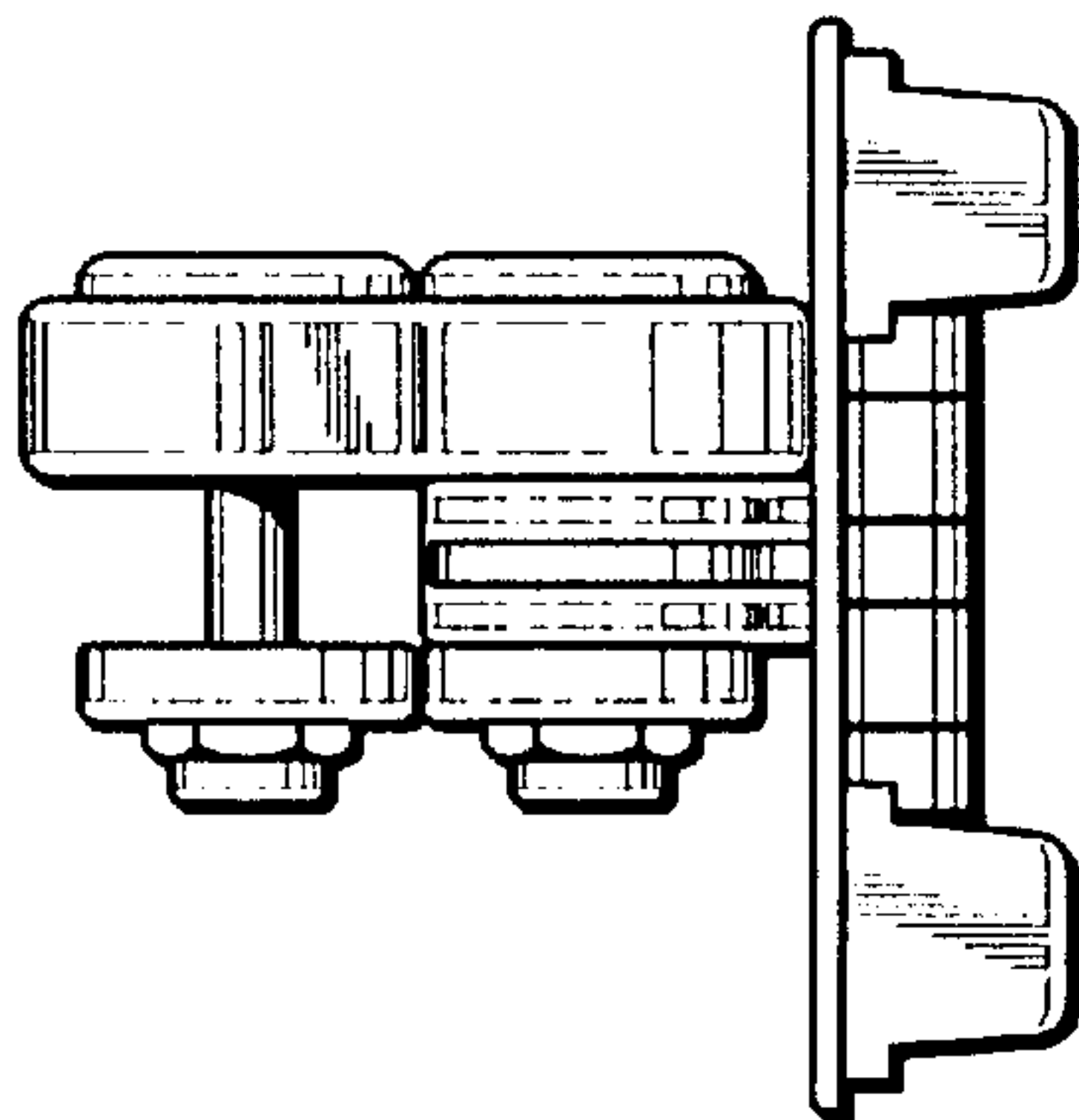


FIG. 5

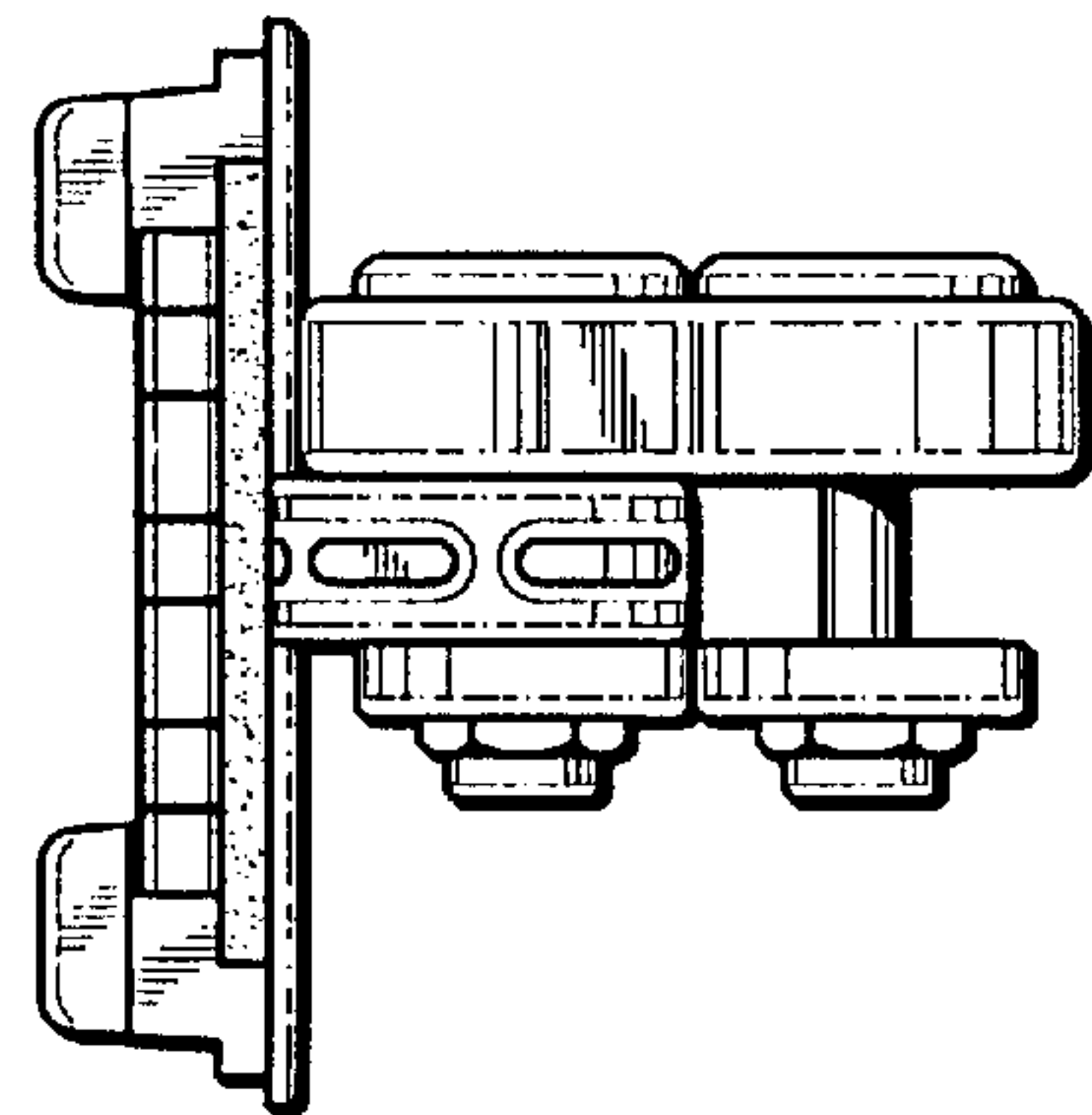


FIG. 6