



US00D464953S

(12) **United States Design Patent**
Lenz et al.

(10) **Patent No.:** **US D464,953 S**

(45) **Date of Patent:** **** Oct. 29, 2002**

(54) **WINGED HARDHAT SPEAKER OR MIKE MOUNT**

5,581,806 A * 12/1996 Capdepuy et al. 2/6.2
5,658,065 A * 8/1997 Jamieson 362/106
D392,071 S * 3/1998 Berke D29/103

(75) Inventors: **Vernon C. Lenz**, Union Gap, WA (US);
Chris Roose, Yakima, WA (US)

* cited by examiner

(73) Assignee: **Golden West Communications, Inc.**,
Union Gap, WA (US)

Primary Examiner—Paula A. Mortimer
(74) *Attorney, Agent, or Firm*—Leon D. Rosen

(**) Term: **14 Years**

(57) **CLAIM**

The ornamental design for winged hardhat speaker or mike mount, as shown and described.

(21) Appl. No.: **29/147,604**

(22) Filed: **Aug. 31, 2001**

DESCRIPTION

(51) **LOC (7) Cl.** **14-01**

(52) **U.S. Cl.** **D14/229**

(58) **Field of Search** D14/229; D8/349;
D29/100, 103; 2/6.2, 6.3, 5, 422; 362/105,
106; 224/181, 271; D26/138; 381/75

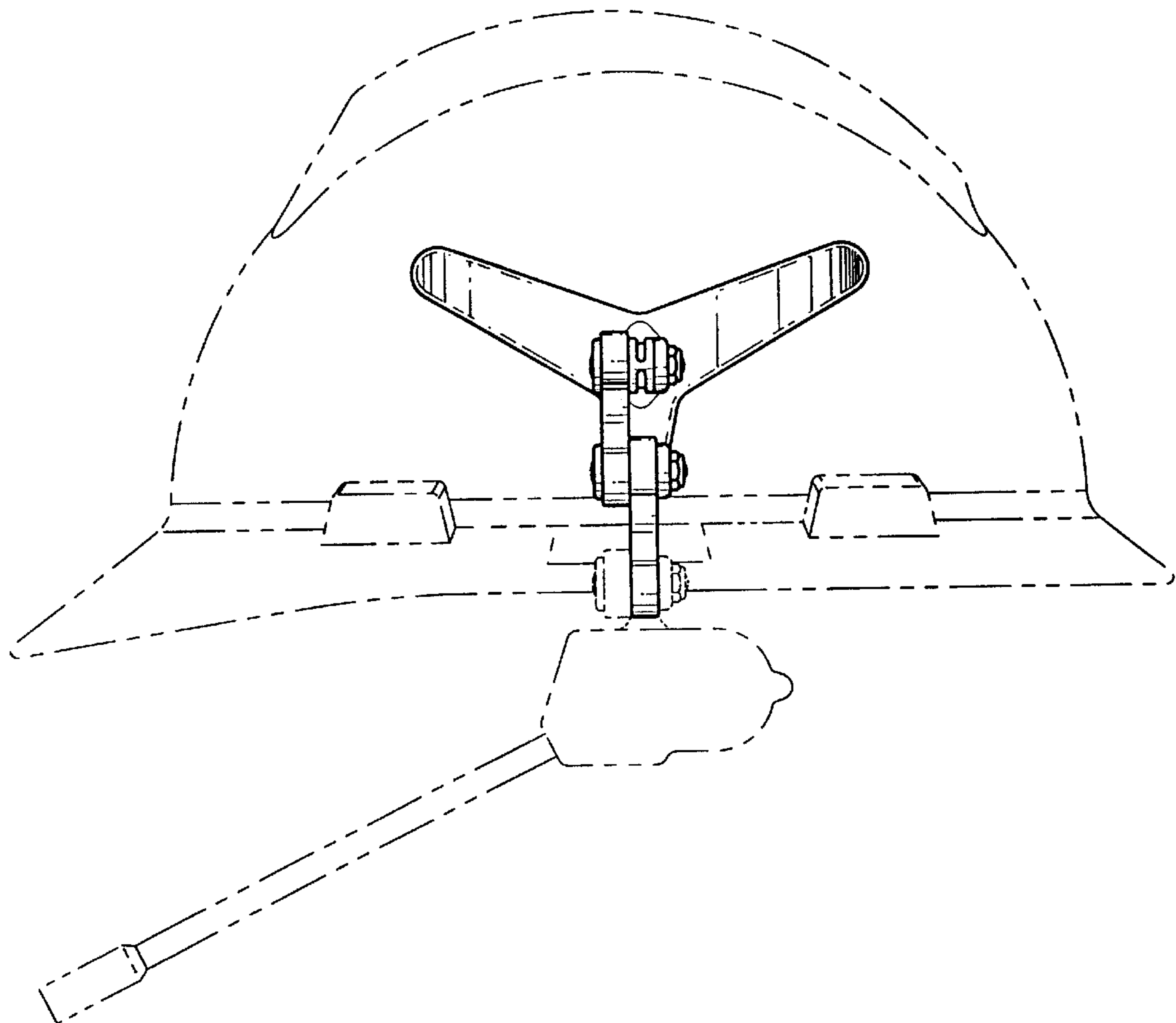
FIG. 1 is a front elevation view of a winged hardhat speaker or mike mount showing our new design, the broken line showing of the hardhat is for illustrative purposes only and forms no part of the claimed design;
FIG. 2 is a rear elevation view thereof;
FIG. 3 is a left side view thereof.
FIG. 4 is a right side view thereof.
FIG. 5 is a top view thereof; and,
FIG. 6 is a bottom view thereof.

(56) **References Cited**

U.S. PATENT DOCUMENTS

3,258,534 A * 6/1966 Goldsworthy 381/75
D333,012 S * 2/1993 Fleming D26/138

1 Claim, 2 Drawing Sheets



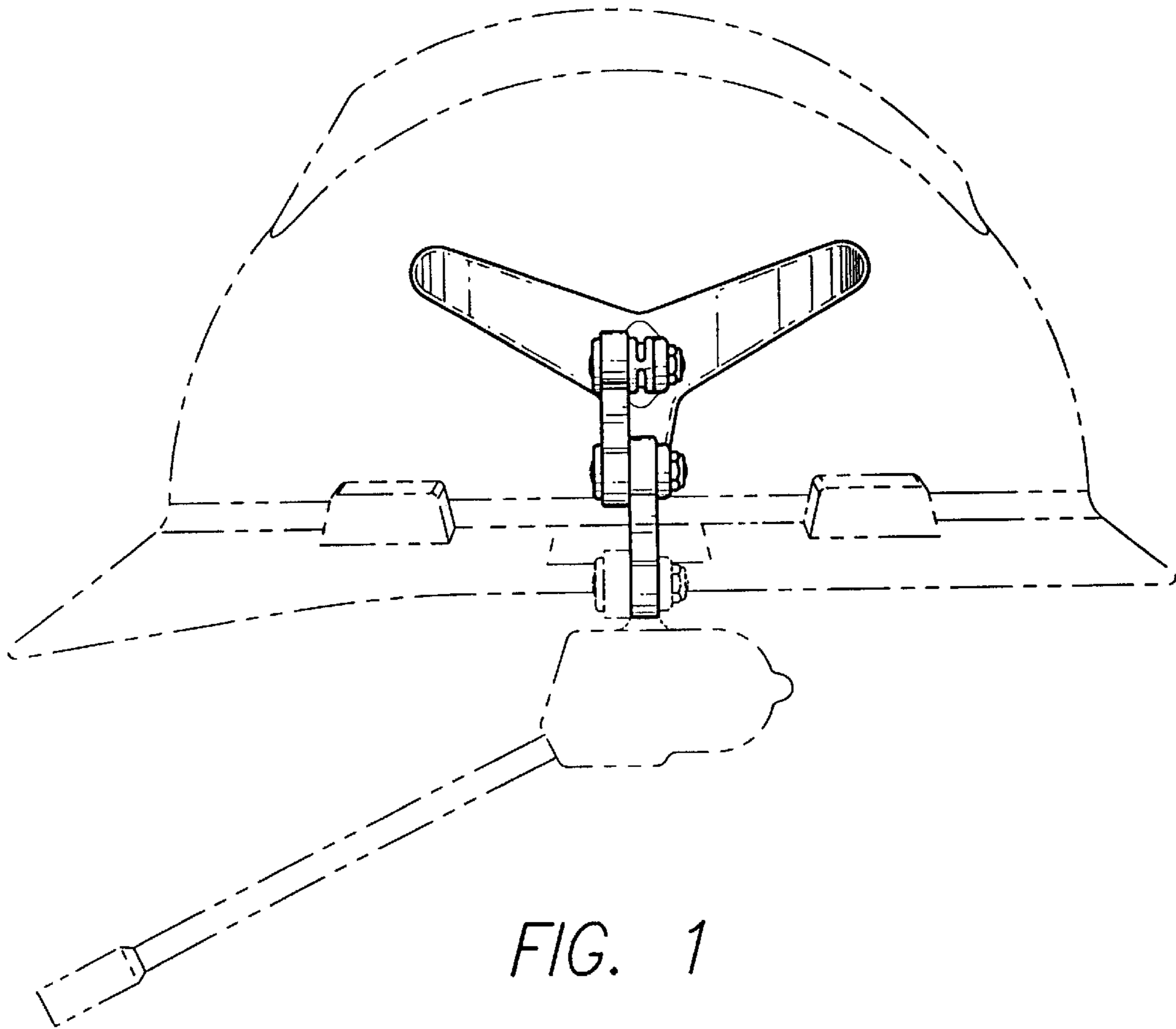


FIG. 1

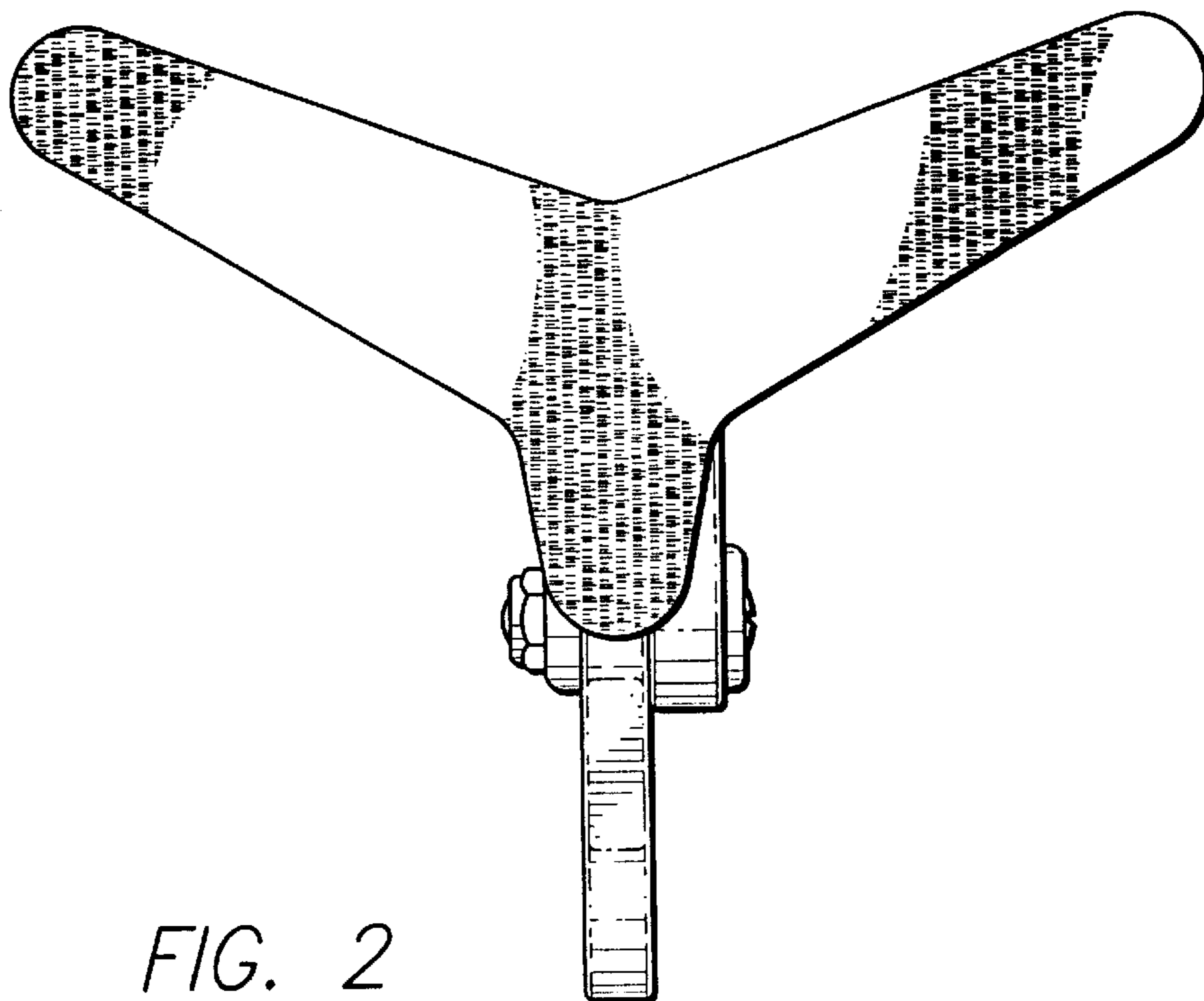


FIG. 2

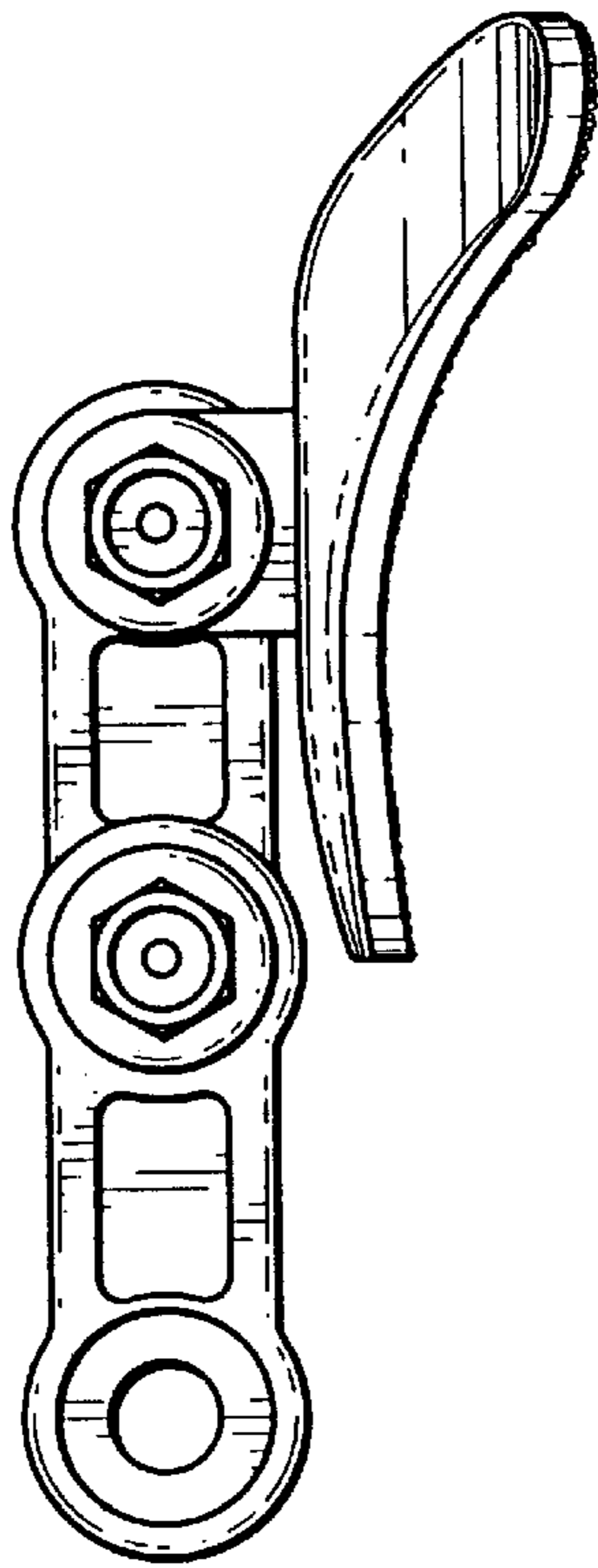


FIG. 3

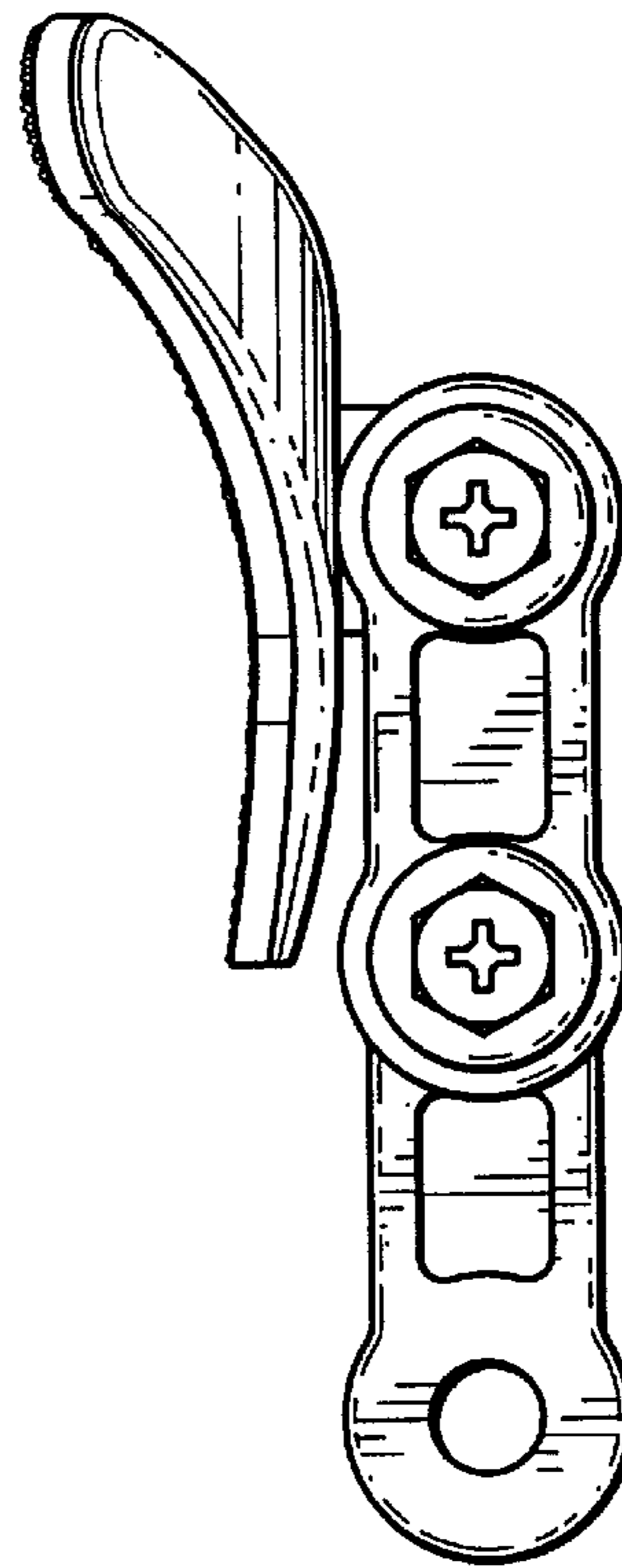


FIG. 4

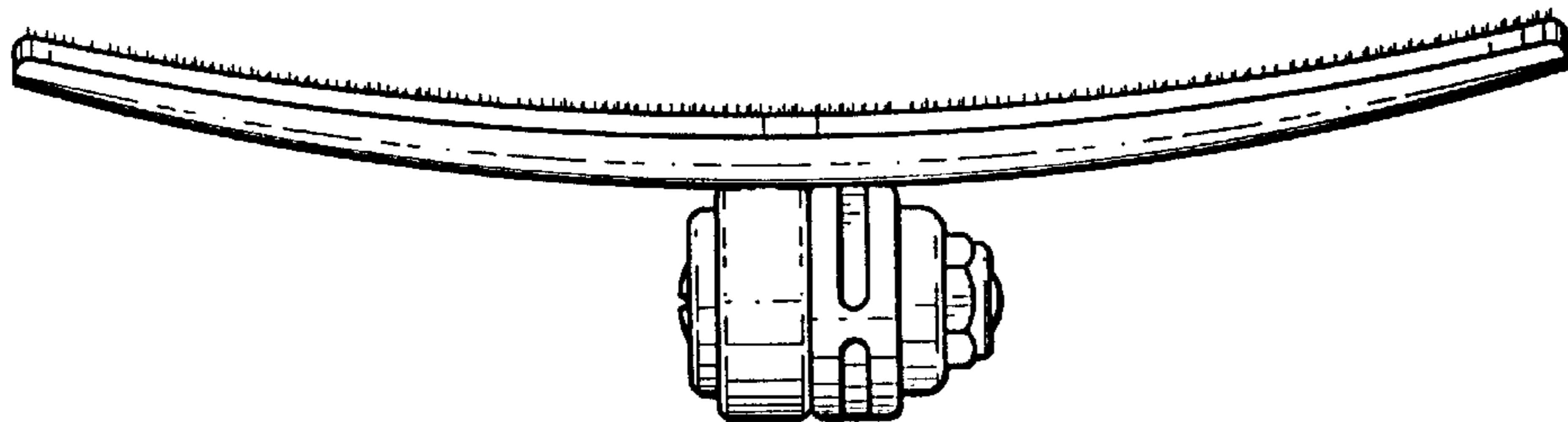


FIG. 5

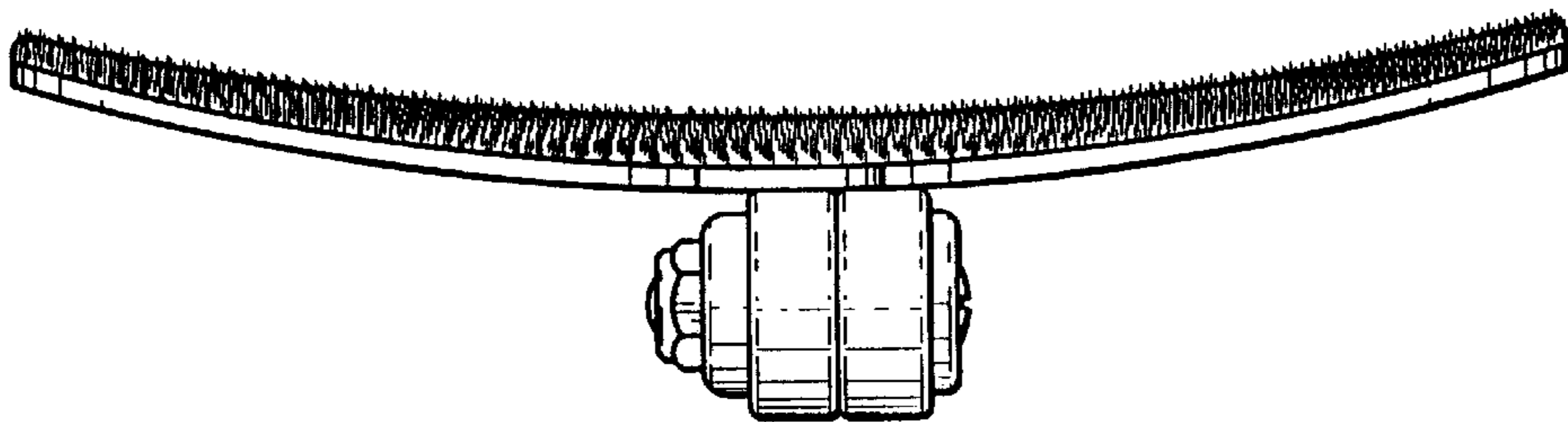


FIG. 6