



US00D464947S

(12) **United States Design Patent**
Hussaini et al.

(10) **Patent No.:** **US D464,947 S**

(45) **Date of Patent:** **** Oct. 29, 2002**

(54) **AUDIO VIDEO SELECTOR**

(75) Inventors: **Saied Hussaini**, Miami, FL (US); **Marc Iacovelli**, Miami, FL (US)

(73) Assignee: **Intec, Inc.**, Miami, FL (US)

(**) Term: **14 Years**

(21) Appl. No.: **29/149,952**

(22) Filed: **Oct. 24, 2001**

(51) **LOC (7) Cl.** **14-99**

(52) **U.S. Cl.** **D14/217; D14/188**

(58) **Field of Search** **D14/162, 168, D14/188, 217, 299; D13/179; 359/142, 146-147; 369/53-41**

(56) **References Cited**

U.S. PATENT DOCUMENTS

5,285,500 A	*	2/1994	Mantz	D14/188
D386,761 S	*	11/1997	Pleitz	D14/188
D441,352 S	*	5/2001	Kuo	D14/217
D446,204 S	*	7/2001	Smith	D14/188

* cited by examiner

Primary Examiner—Nanda Bondade

(74) *Attorney, Agent, or Firm*—Liniak, Berenato, Longacre & White

(57) **CLAIM**

The ornamental design for an audio video selector, as shown and described.

DESCRIPTION

FIG. 1 is a front view of the audio video selector according to the present invention;

FIG. 2 is a rear view of the audio video selector of FIG. 1;

FIG. 3 is a left side view of the audio video selector of FIG. 1;

FIG. 4 is a right side view of the audio video selector of FIG. 1;

FIG. 5 is a top view of the audio video selector of FIG. 1;

FIG. 6 is a bottom view of the audio video selector of FIG. 1; and,

FIG. 7 is a front perspective view of the audio video selector of FIG. 1.

1 Claim, 4 Drawing Sheets

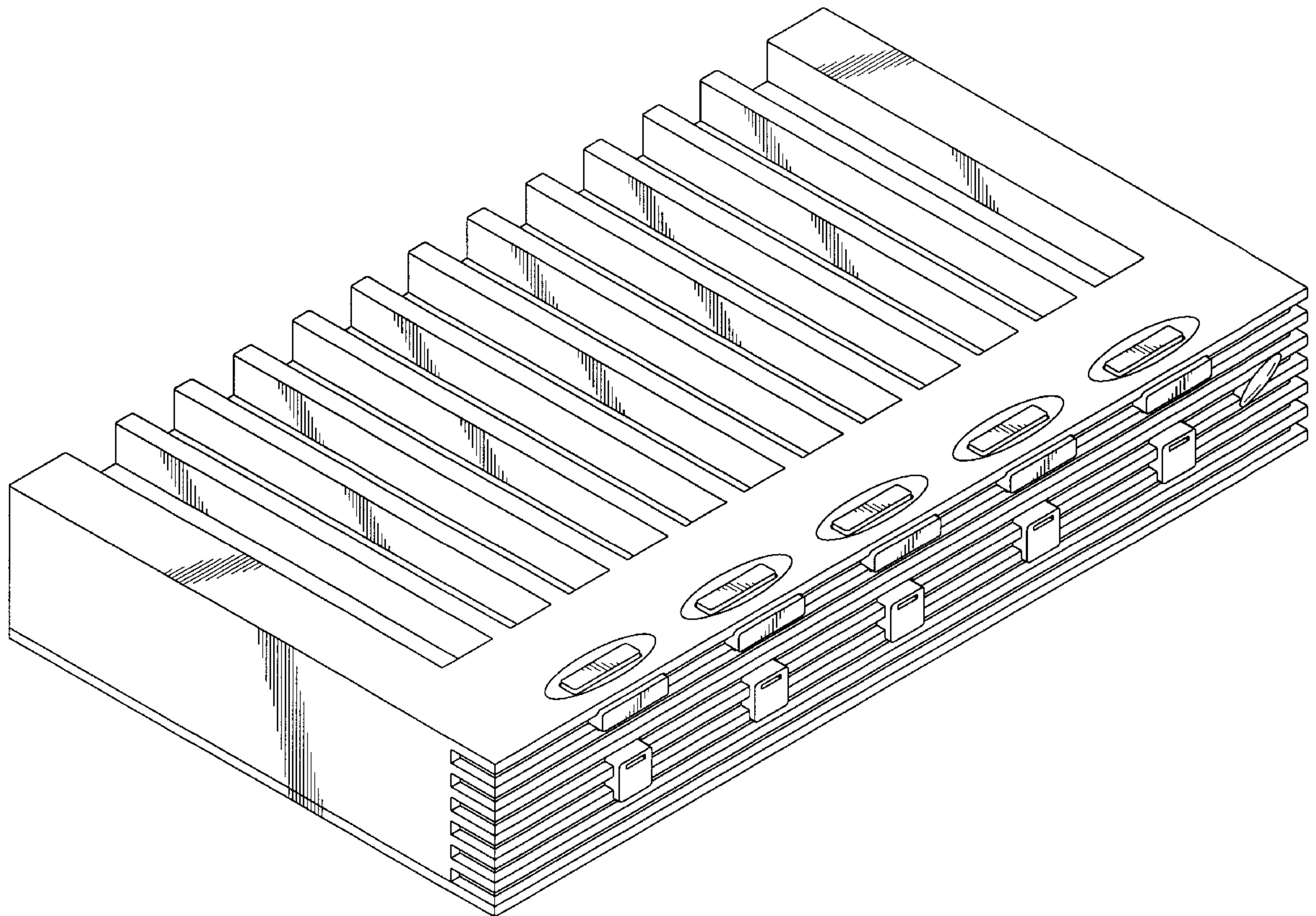


Fig. 1



Fig. 2

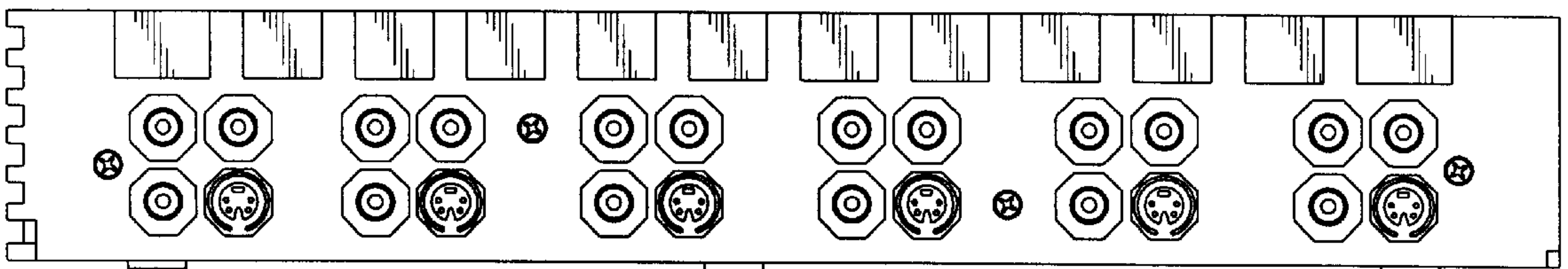


Fig. 3

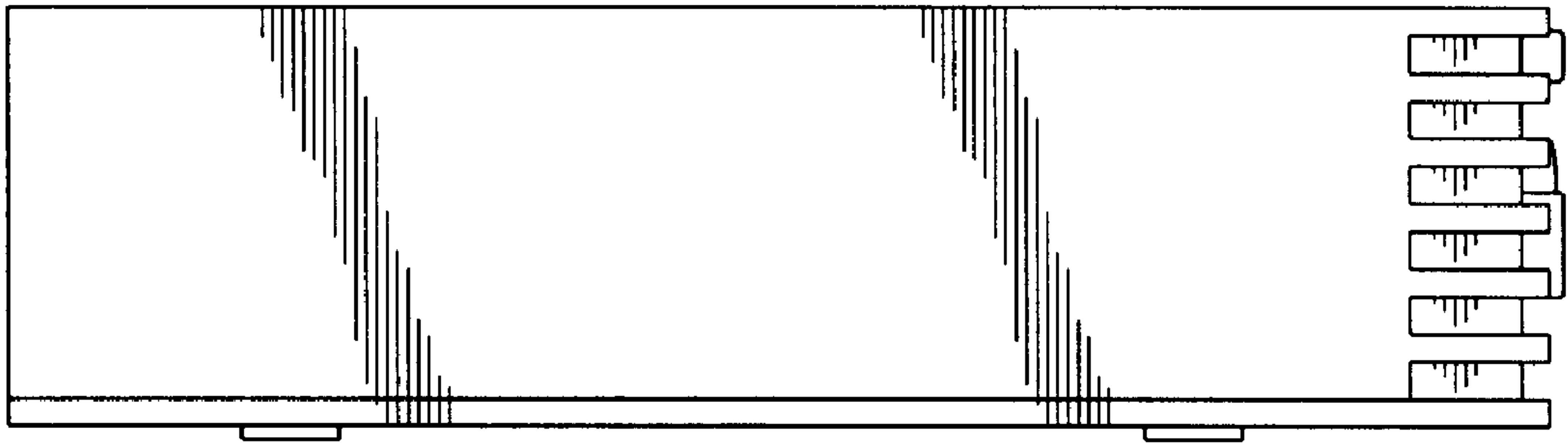


Fig. 4

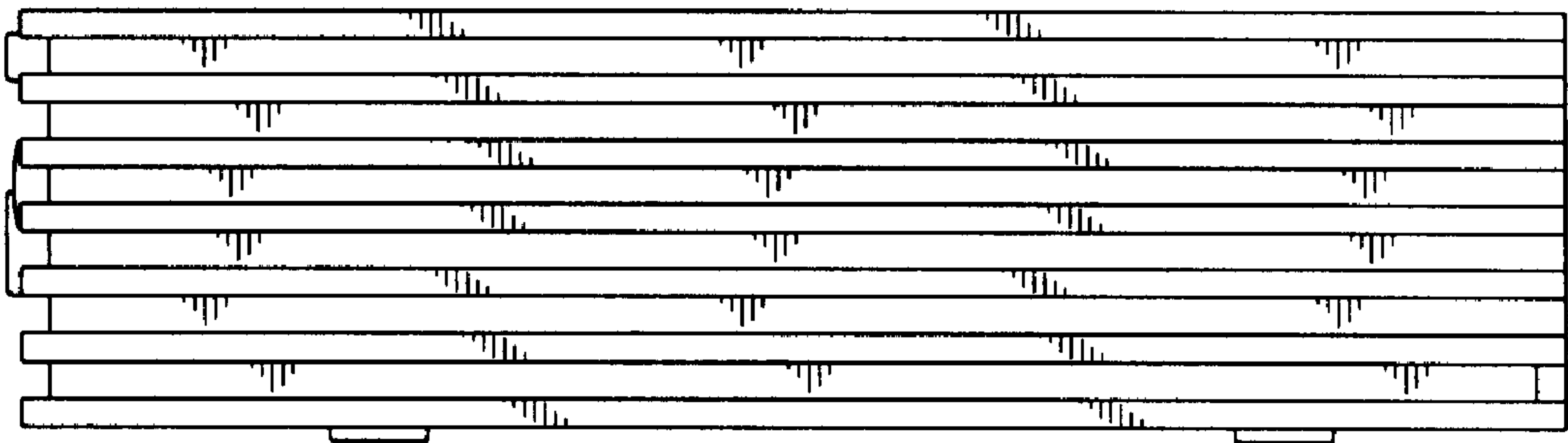


Fig. 5

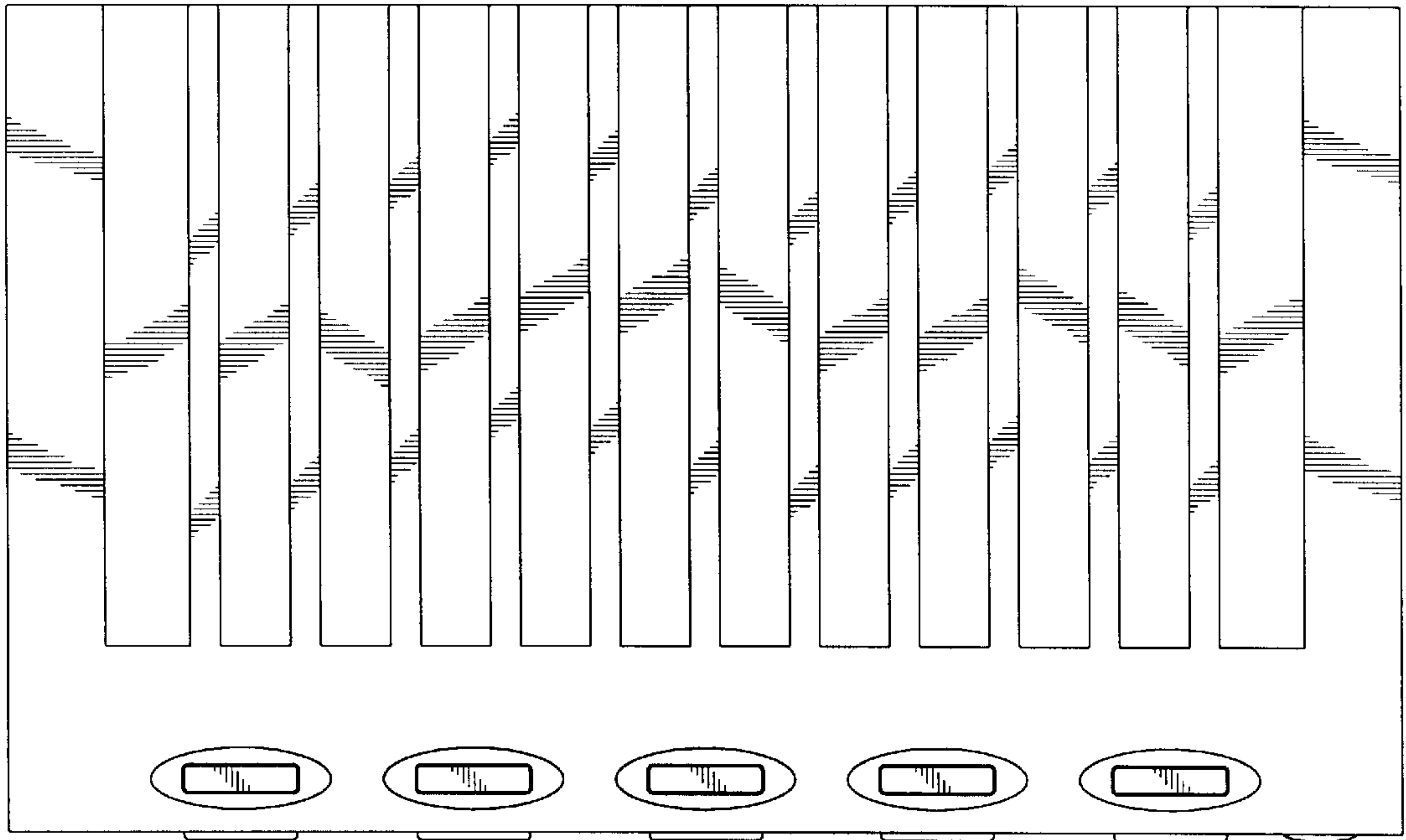
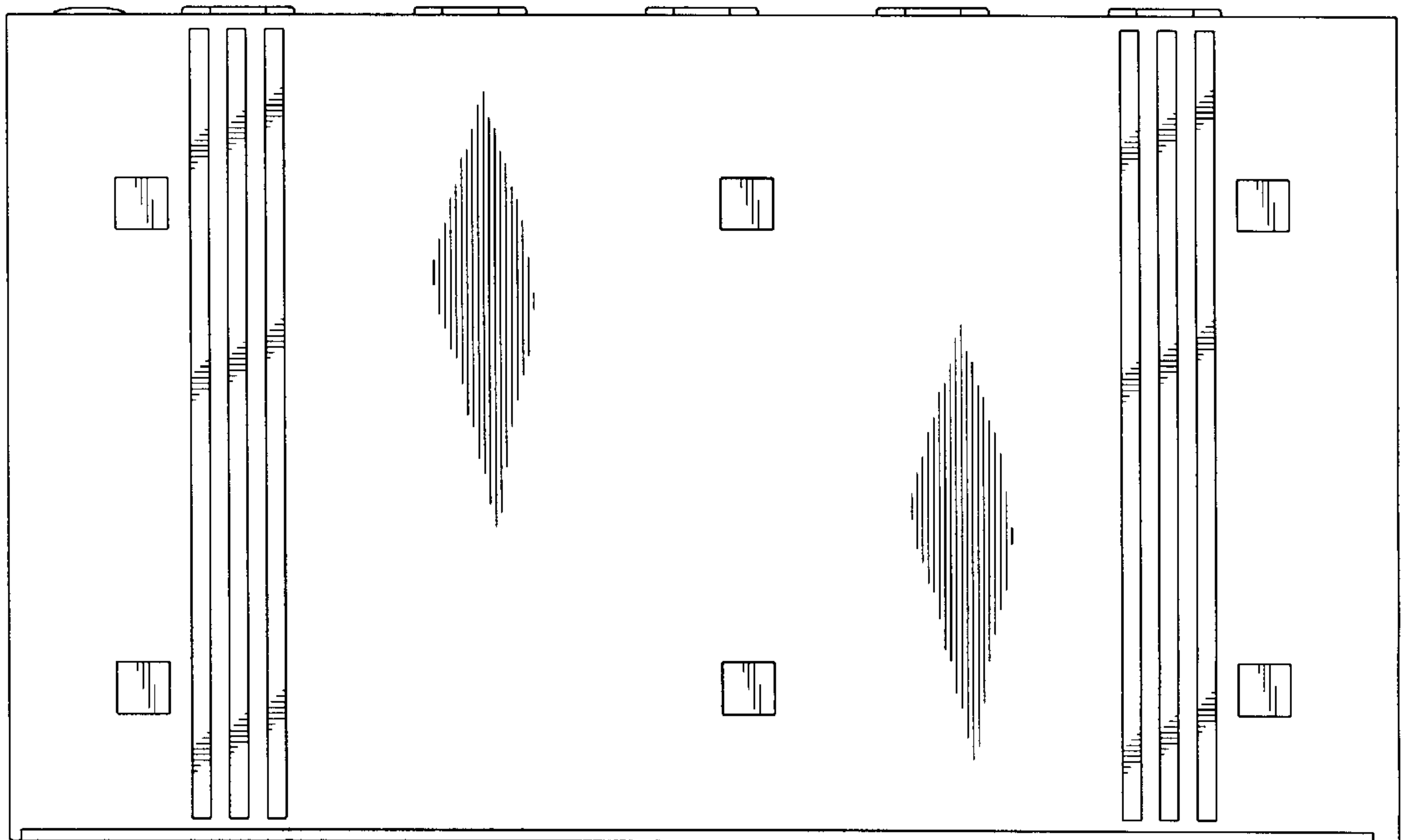


Fig. 6



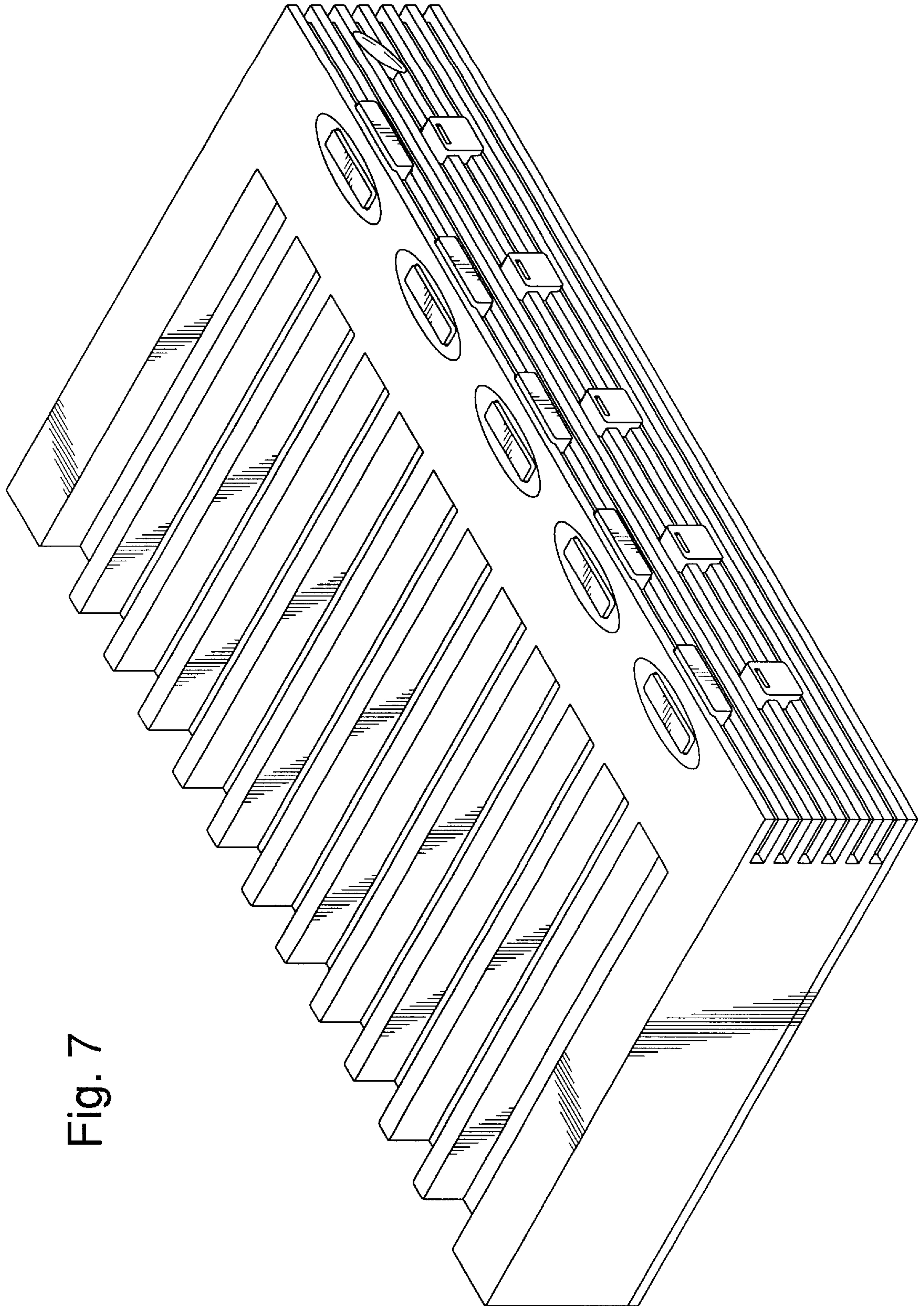


Fig. 7