



US00D464944S

(12) **United States Design Patent**
Lee et al.

(10) **Patent No.:** **US D464,944 S**

(45) **Date of Patent:** **** Oct. 29, 2002**

(54) **MOBILE AUDIO HEADSET**

D447,472 S * 9/2001 McGugan D14/225

(75) Inventors: **Kendrew Lee**, Fremont, CA (US);
Jeremy Magtoto, Discovery Bay, CA (US)

* cited by examiner

Primary Examiner—Paula A. Mortimer

(74) *Attorney, Agent, or Firm*—LaRiviere, Grubman & Payne, LLP

(73) Assignee: **Monster Cable Products, Inc.**,
Brisbane, CA (US)

(57) **CLAIM**

(**) Term: **14 Years**

The ornamental design for a mobile audio headset, as shown and described.

(21) Appl. No.: **29/150,634**

DESCRIPTION

(22) Filed: **Nov. 26, 2001**

(51) **LOC (7) Cl.** **14-01**

(52) **U.S. Cl.** **D14/206**

(58) **Field of Search** D14/142, 205,
D14/223, 228, 240; 381/370, 374, 375,
376, 377, 378, 379, 380, 381; 379/430

A portion of the disclosure of this design patent document contains material to which a claim of copyright protection is made. The copyright owner has no objection to the facsimile reproduction of the patent document or the patent disclosure as it appears in the U.S. Patent and Trademark office file or records, but reserves all other copyright rights.

FIG. 1 is a perspective view of a mobile audio headset, in accordance with the present invention;

FIG. 2 is a side view thereof;

FIG. 3 is a back view thereof;

FIG. 4 is a corresponding side view thereof;

FIG. 5 is a top view thereof;

FIG. 6 is an underside view thereof; and,

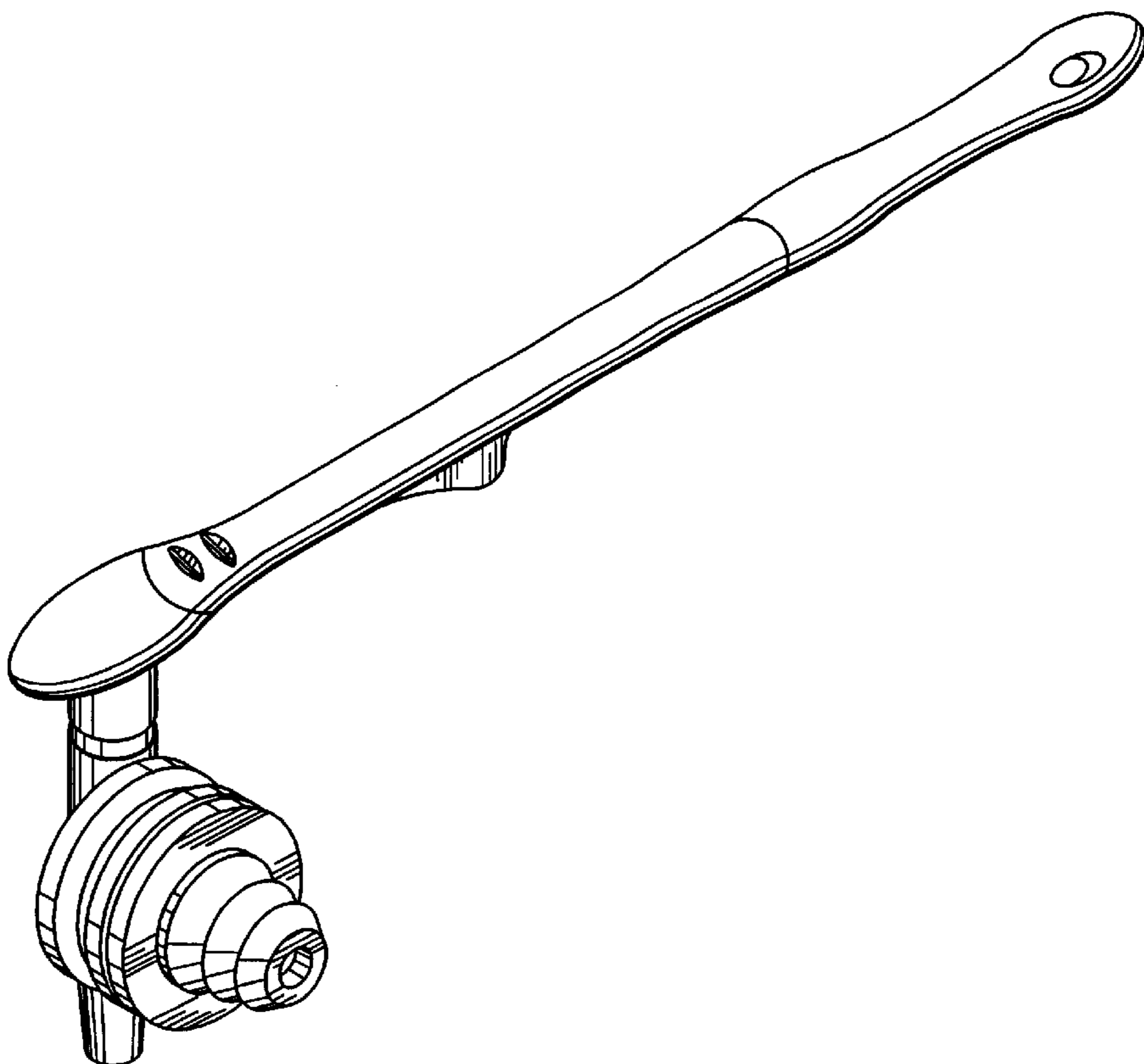
FIG. 7 is a front view thereof.

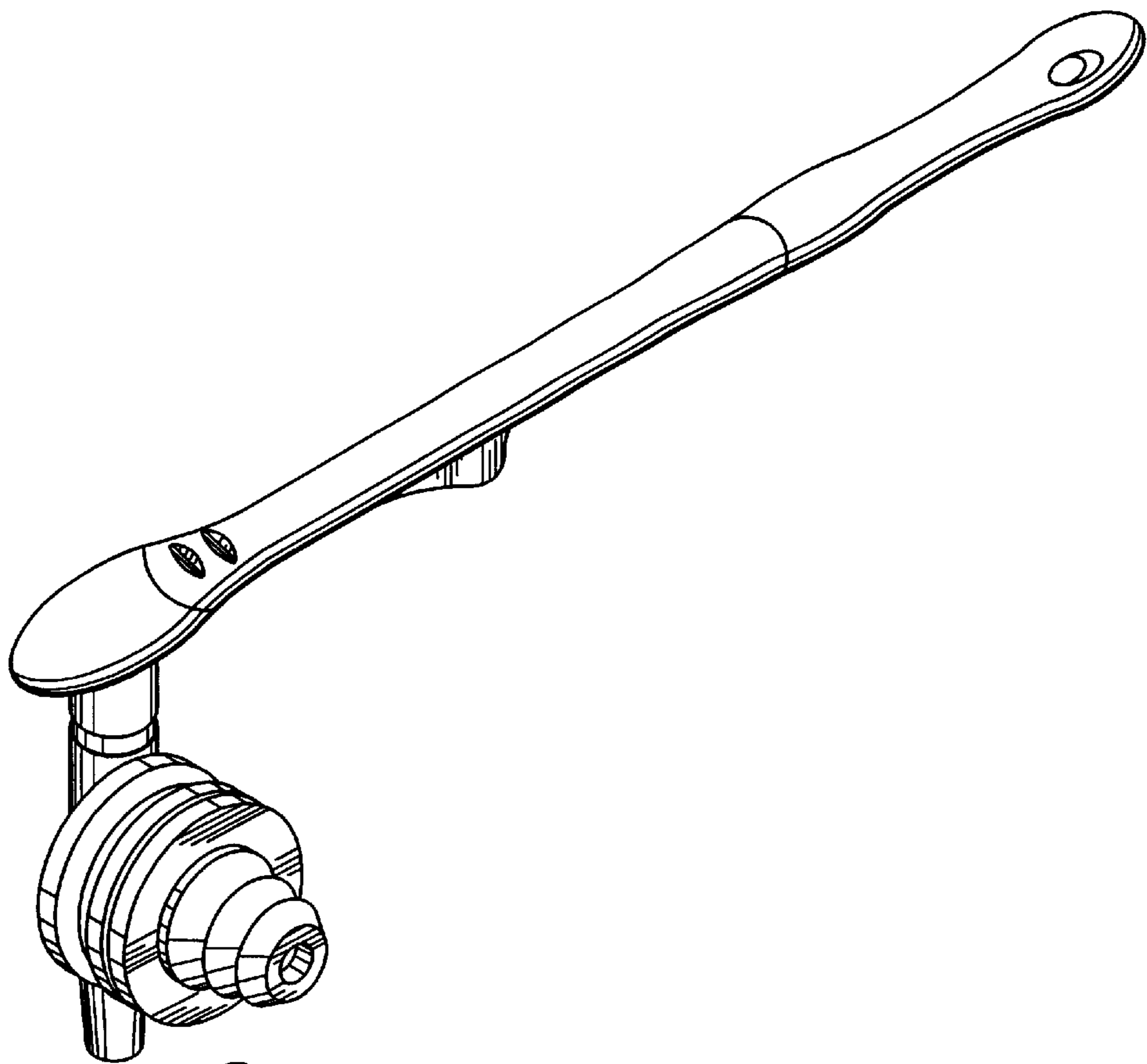
(56) **References Cited**

U.S. PATENT DOCUMENTS

D375,500 S	*	11/1996	Bungardt et al.	D14/223
D379,990 S	*	6/1997	Bungardt et al.	D14/228
D382,874 S	*	8/1997	Peschke et al.	D14/142
D384,958 S	*	10/1997	Shudo	D14/206
D396,715 S	*	8/1998	Konomi	D14/142
D409,621 S	*	5/1999	Andrea	D14/223
D431,030 S	*	9/2000	Yoon	D14/142

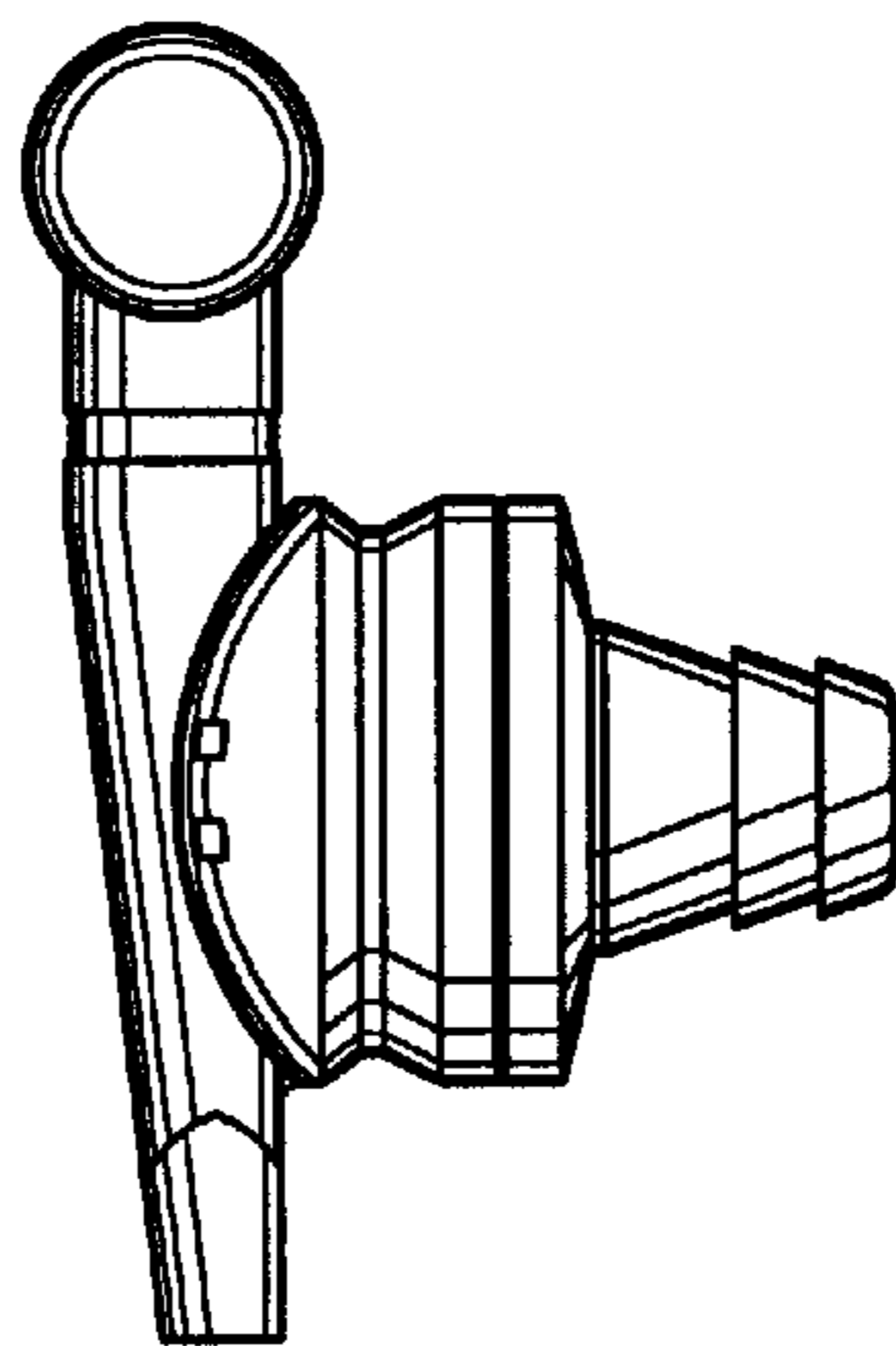
1 Claim, 3 Drawing Sheets





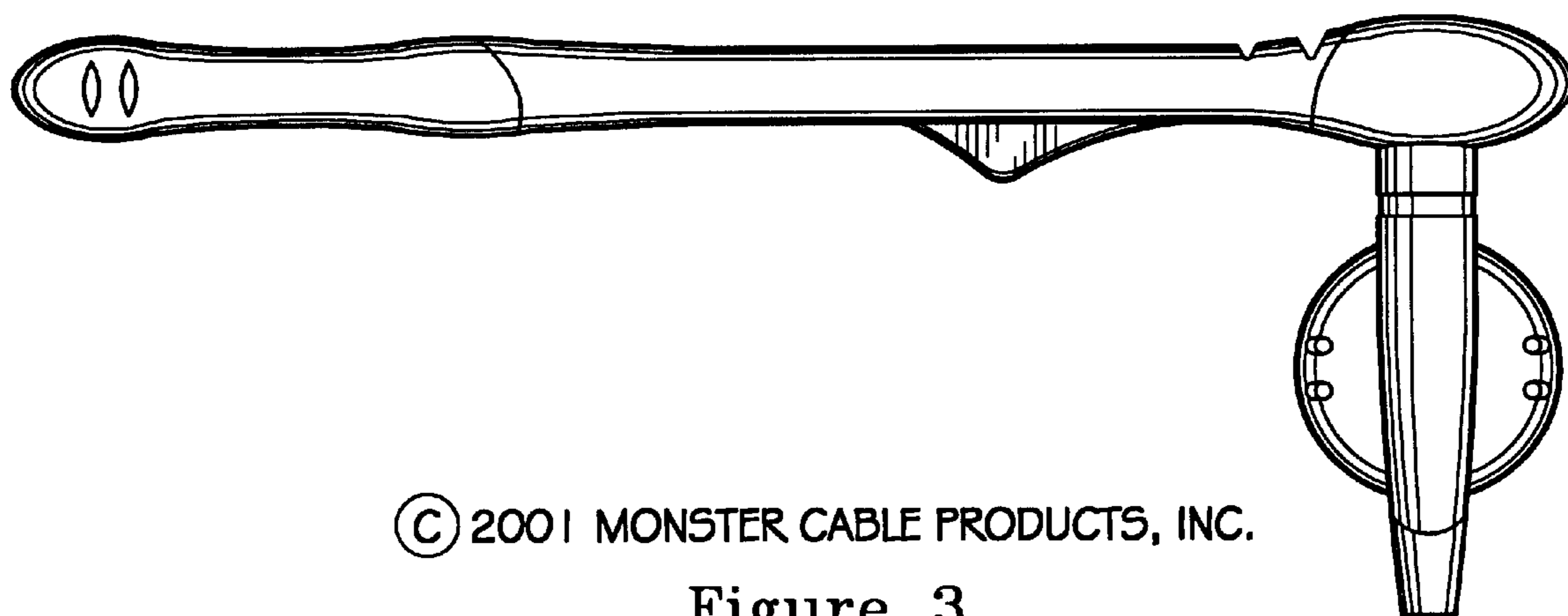
© 2001 MONSTER CABLE PRODUCTS, INC.

Figure 1



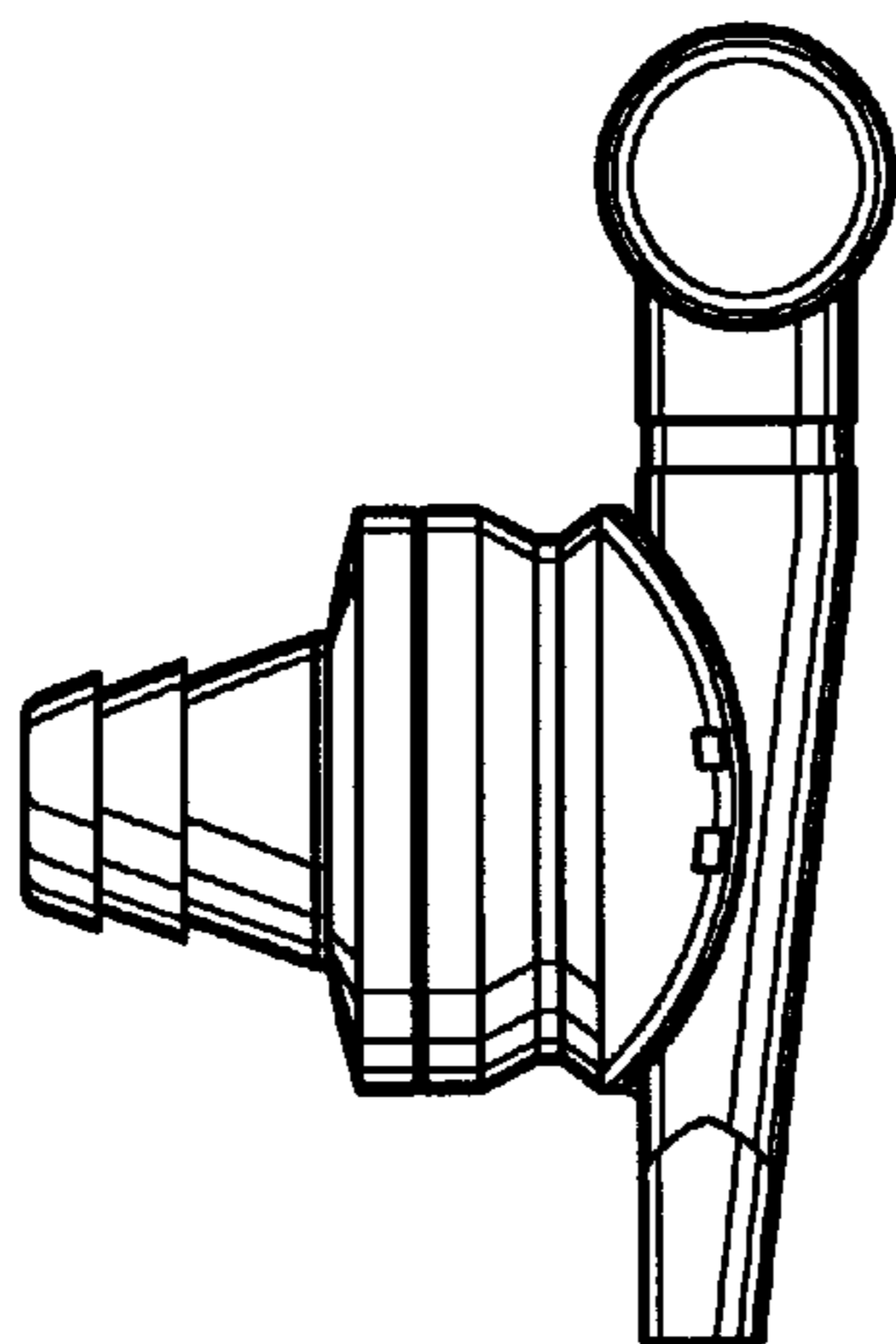
© 2001 MONSTER CABLE PRODUCTS, INC.

Figure 2



© 2001 MONSTER CABLE PRODUCTS, INC.

Figure 3



© 2001 MONSTER CABLE PRODUCTS, INC.

Figure 4

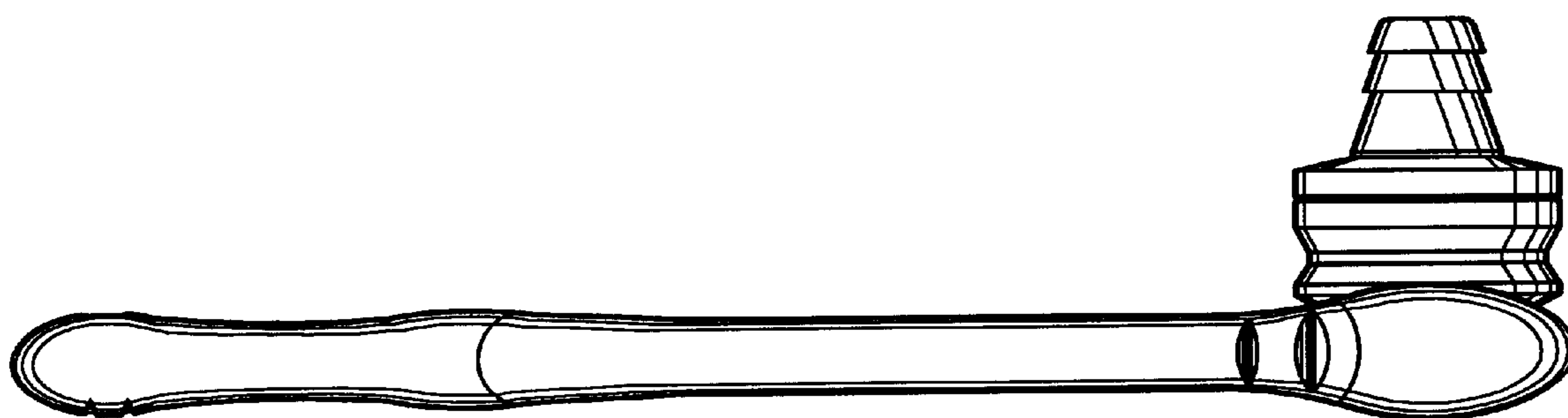
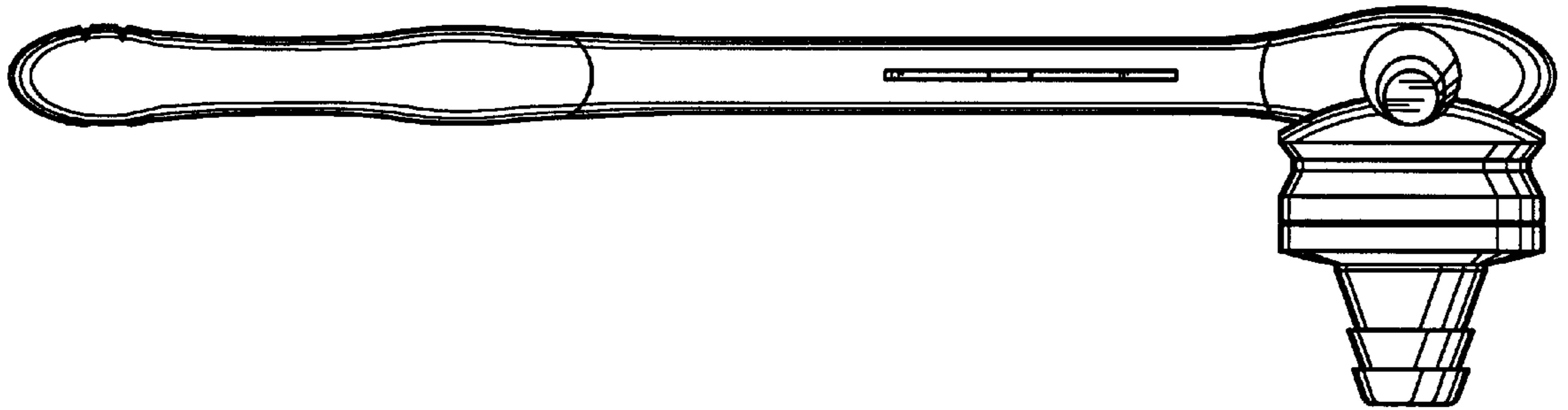


Figure 5



© 2001 MONSTER CABLE PRODUCTS, INC.

Figure 6

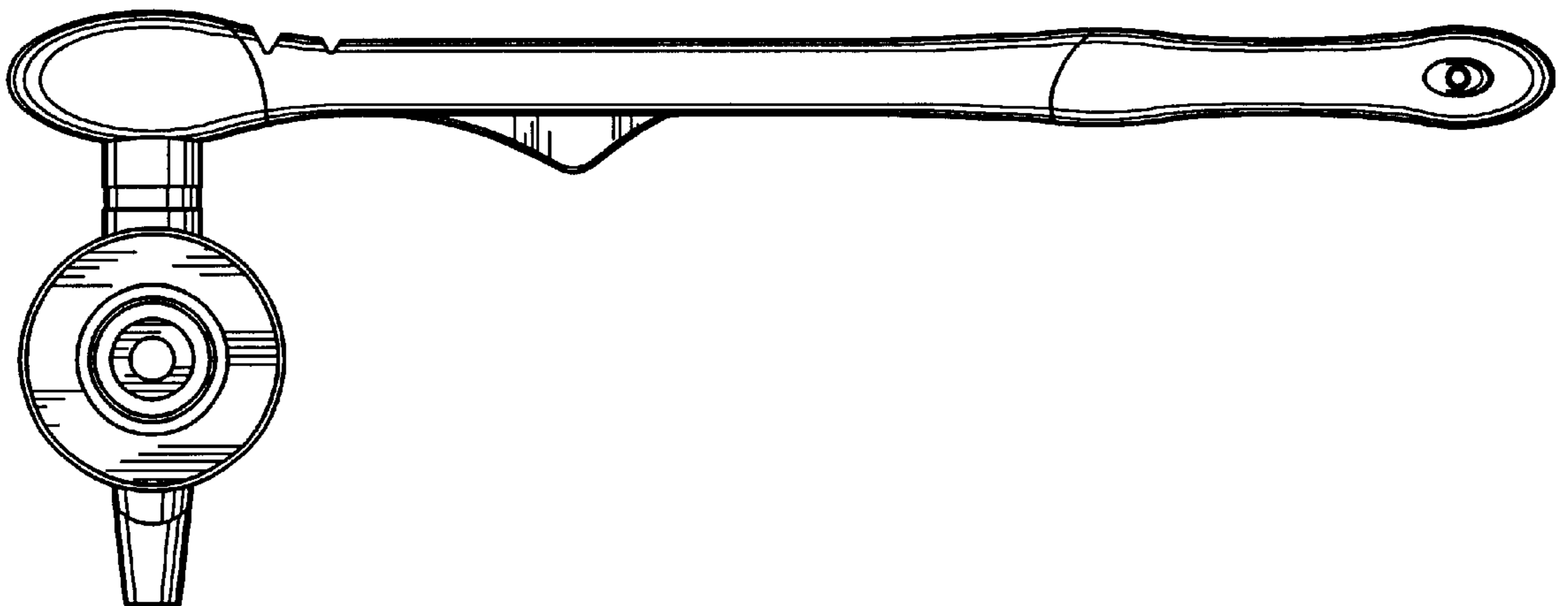


Figure 7