



US00D464943S

(12) **United States Design Patent**
Lai

(10) **Patent No.:** **US D464,943 S**

(45) **Date of Patent:** **** Oct. 29, 2002**

(54) **HANGING TYPE EARPHONE**

(76) Inventor: **His-Yuan Lai**, 235 Chung-Ho Box
8-24, Taipei (TW)

(**) Term: **14 Years**

(21) Appl. No.: **29/150,292**

(22) Filed: **Nov. 21, 2001**

(51) **LOC (7) Cl.** **14-01**

(52) **U.S. Cl.** **D14/206; D14/223**

(58) **Field of Search** D14/205, 206,
D14/223; 181/129, 130; 379/430, 433;
381/381, 370

(56) **References Cited**

U.S. PATENT DOCUMENTS

| | | | | | |
|------------|---|---------|-----------------|-------|---------|
| D366,486 S | * | 1/1996 | Runquist et al. | | D14/206 |
| D375,313 S | * | 11/1996 | Jensen et al. | | D14/206 |
| D403,327 S | * | 12/1998 | Landreth et al. | | D14/223 |
| D451,907 S | * | 12/2001 | Amae et al. | | D14/223 |

D452,857 S * 1/2002 Hong D14/223

D455,417 S * 4/2002 Bey et al. D14/223

D455,732 S * 4/2002 Skulley et al. D14/223

* cited by examiner

Primary Examiner—Paula A. Mortimer

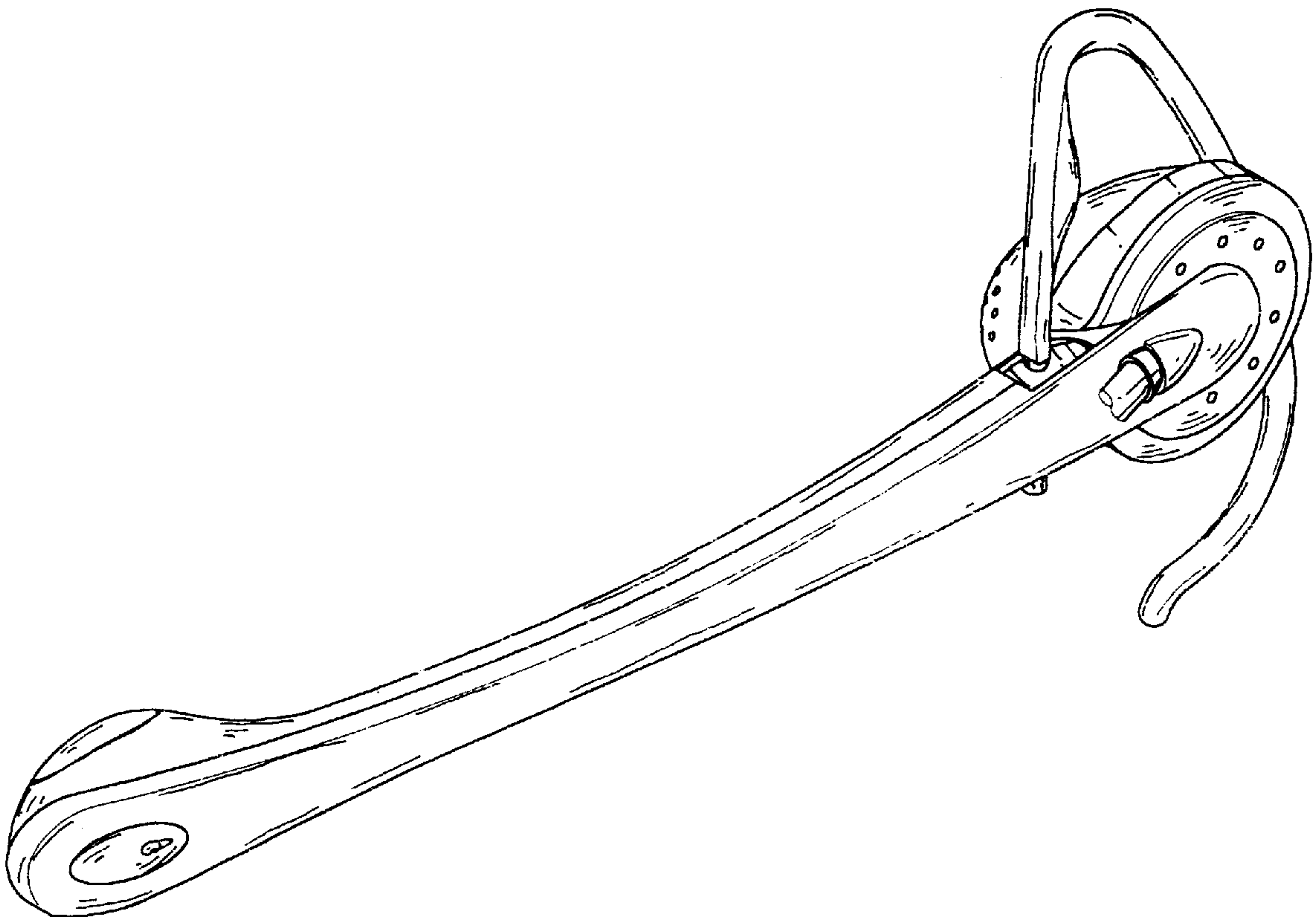
(57) **CLAIM**

The ornamental design for a hanging type earphone, as shown and described.

DESCRIPTION

FIG. 1 is a front elevational view thereof;
FIG. 2 is a rear elevational view thereof;
FIG. 3 is a left side view thereof;
FIG. 4 is a right side view thereof;
FIG. 5 is a top plan view thereof;
FIG. 6 is a bottom plan view thereof; and,
FIG. 7 is a perspective view of a hanging type earphone showing my new design.

1 Claim, 4 Drawing Sheets



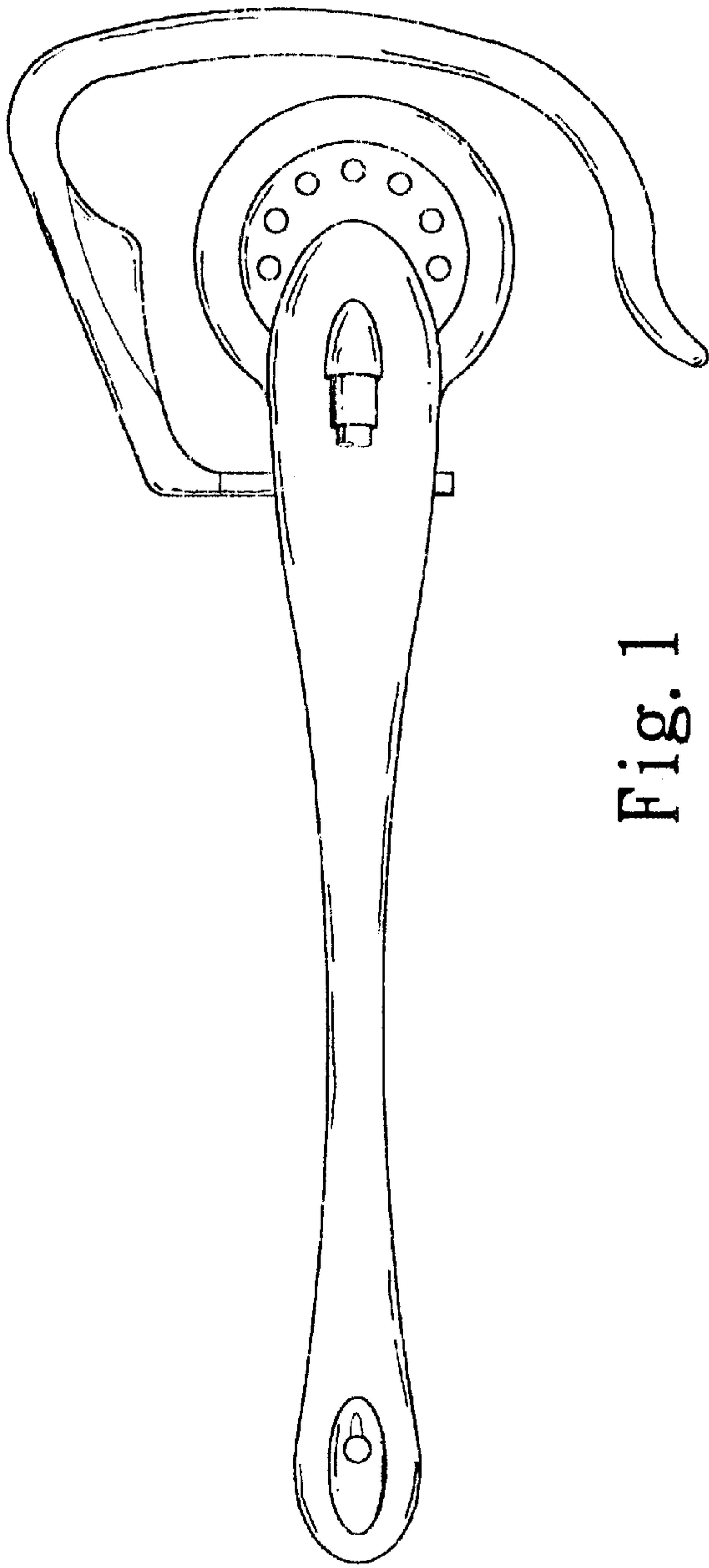


Fig. 1

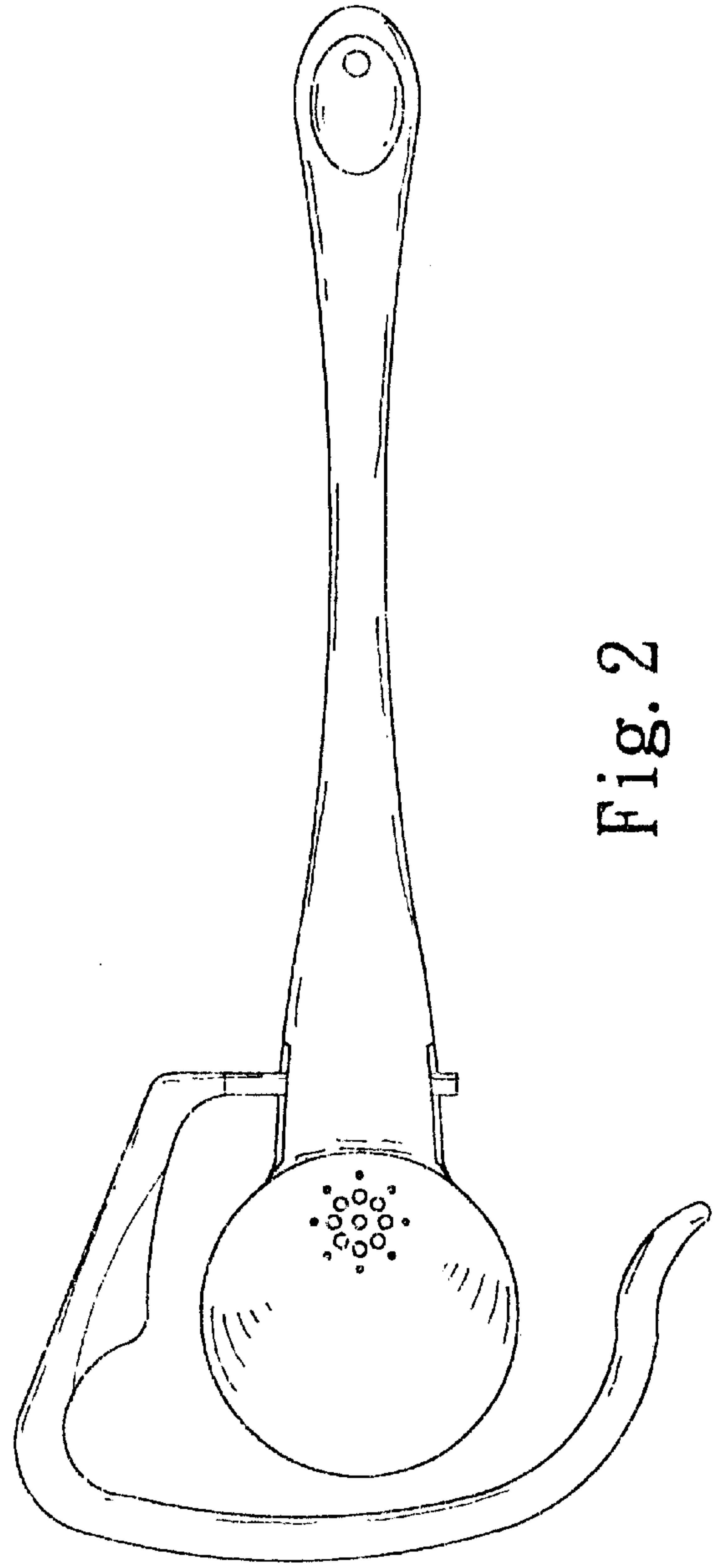


Fig. 2

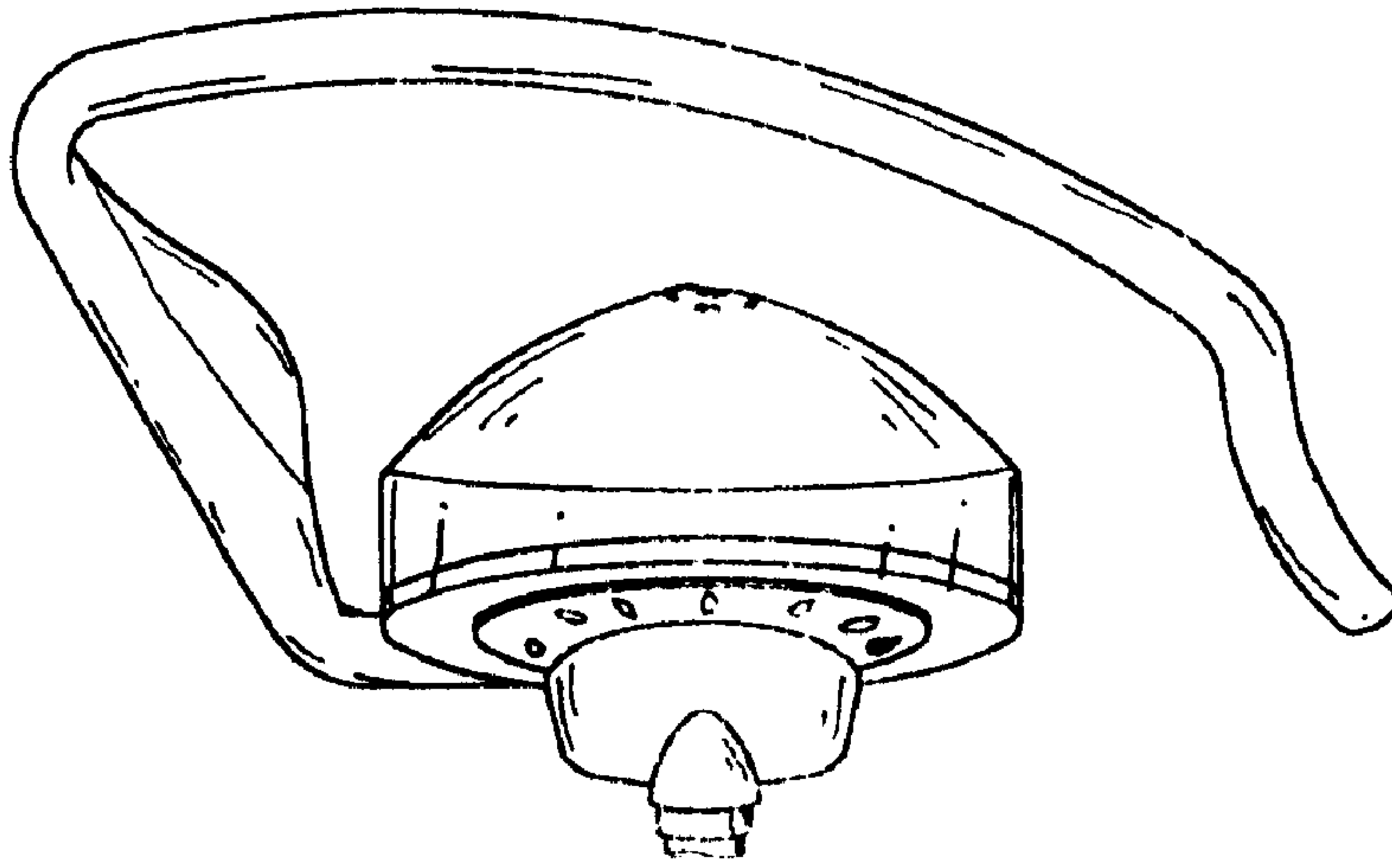


Fig. 4

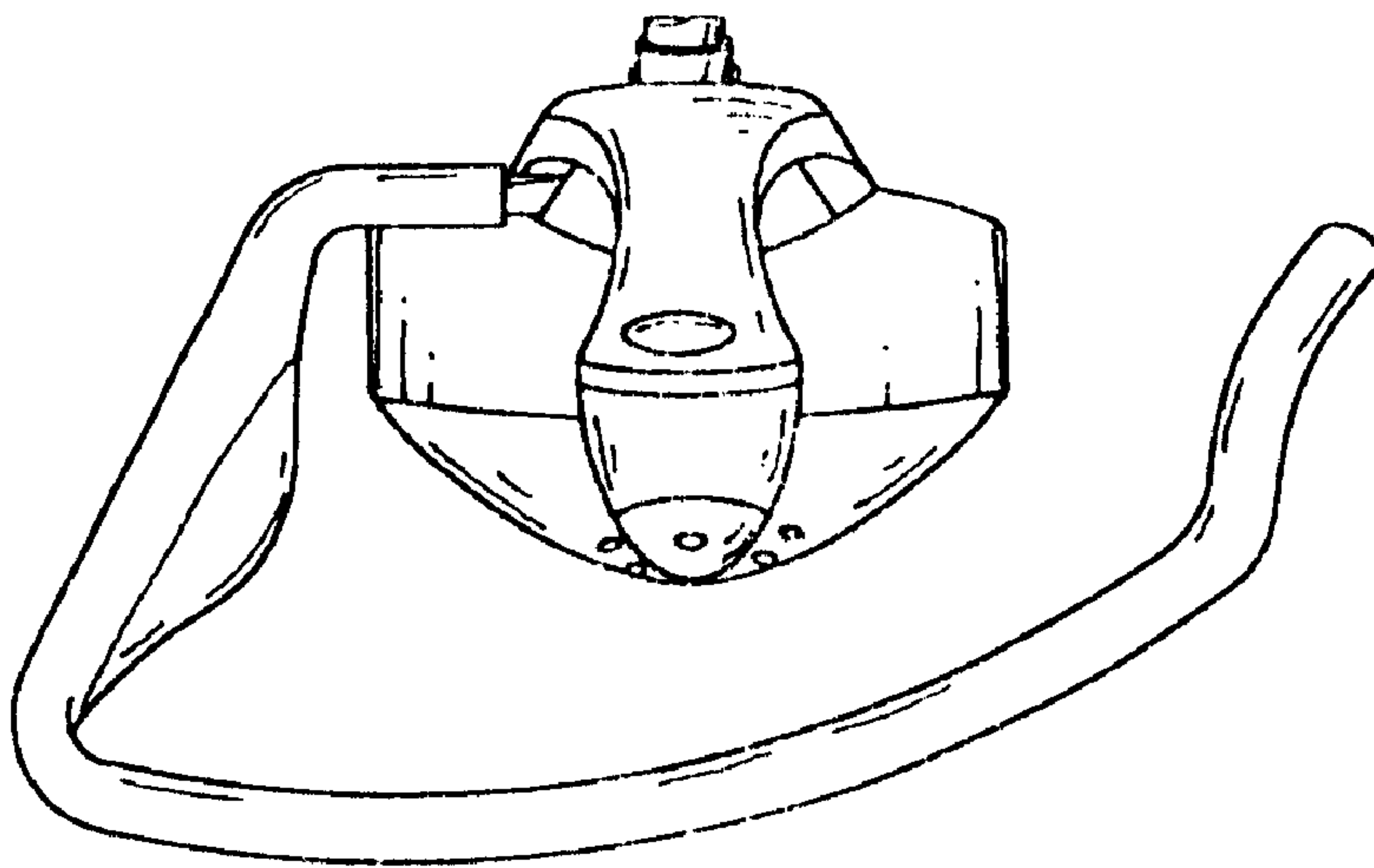


Fig. 3

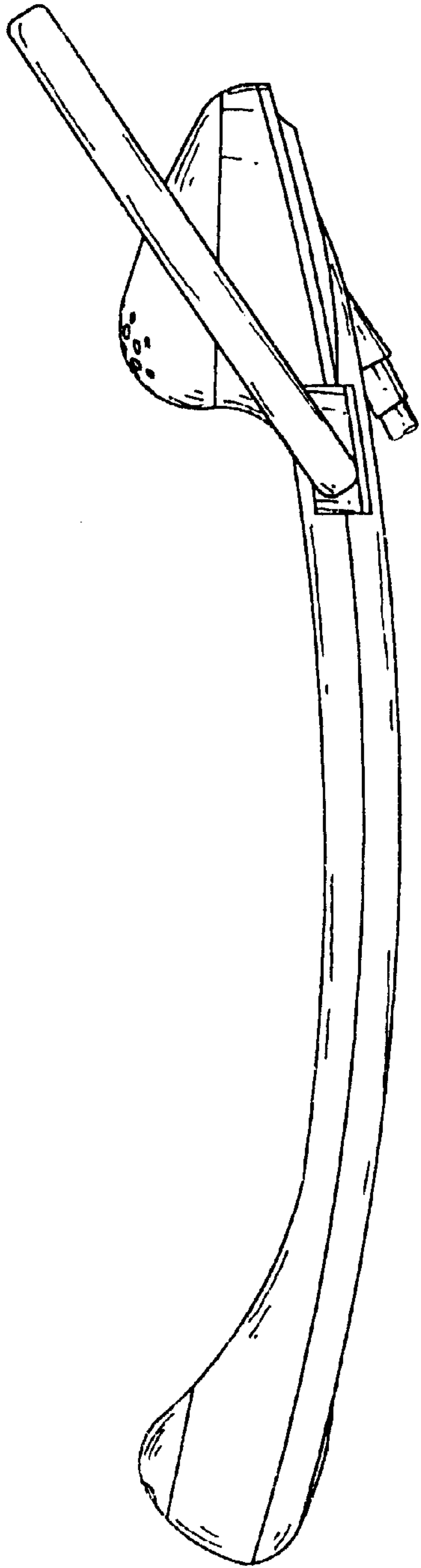


Fig. 5



Fig. 6

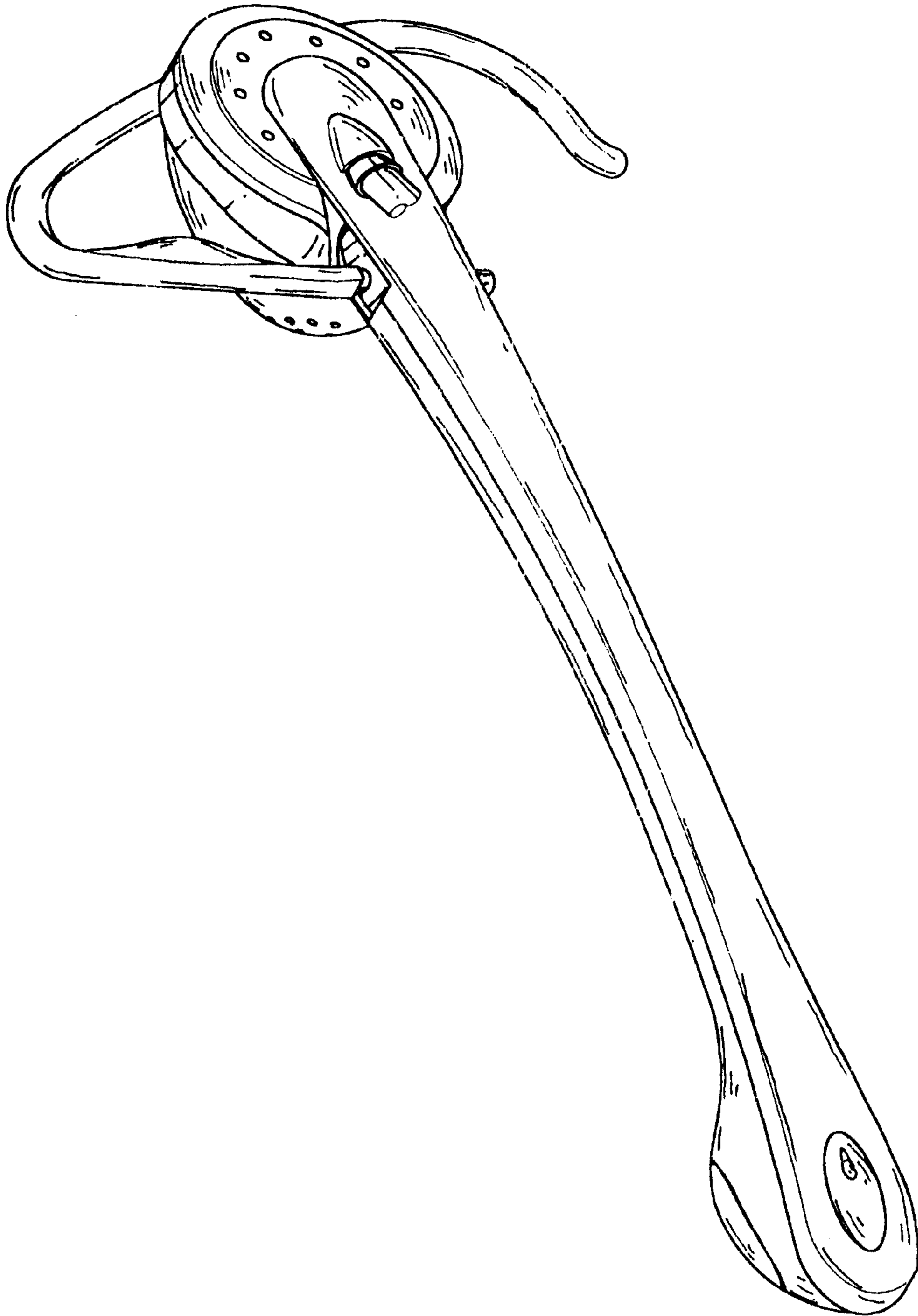


Fig. 7