



US00D464941S

(12) **United States Design Patent**  
**Latto et al.**

(10) **Patent No.:** **US D464,941 S**

(45) **Date of Patent:** **\*\* Oct. 29, 2002**

(54) **MP3 AUDIO PLAYER**

D442,934 S \* 5/2001 Volanski ..... D14/156

(75) Inventors: **Antonio T. Latto**, Portland, OR (US);  
**Isaac A. Simpson**, Milwaukie, OR  
(US); **Markus Diebel**, San Francisco,  
CA (US); **Paul Bradley**, Woodside, CA  
(US)

\* cited by examiner

*Primary Examiner*—Nanda Bondade  
(74) *Attorney, Agent, or Firm*—Blakely, Sokoloff, Taylor &  
Zafman LLP

(73) Assignee: **Intel Corporation**, Santa Clara, CA  
(US)

(57) **CLAIM**

The ornamental design for an MP3 audio player, as shown  
and described.

(\*\*) Term: **14 Years**

**DESCRIPTION**

(21) Appl. No.: **29/148,377**

FIG. 1 is a front perspective view of an MP3 audio player  
showing our new design;

(22) Filed: **Sep. 19, 2001**

FIG. 2 is a front elevational view of the MP3 audio player  
shown in FIG. 1;

(51) **LOC (7) Cl.** ..... **14-01**

(52) **U.S. Cl.** ..... **D14/156**

FIG. 3 is a rear elevational view of the MP3 audio player  
shown in FIG. 1;

(58) **Field of Search** ..... D14/156-157,  
D14/160-165, 167-168, 188-189, 217-218,  
299; 312/7.1; 369/75.1, 75.2, 77.1, 77.2;  
455/344, 347-351

FIG. 4 is a left side elevational view of the MP3 audio player  
shown in FIG. 1;

FIG. 5 is a right side elevational view of the MP3 audio  
player shown in FIG. 1;

(56) **References Cited**

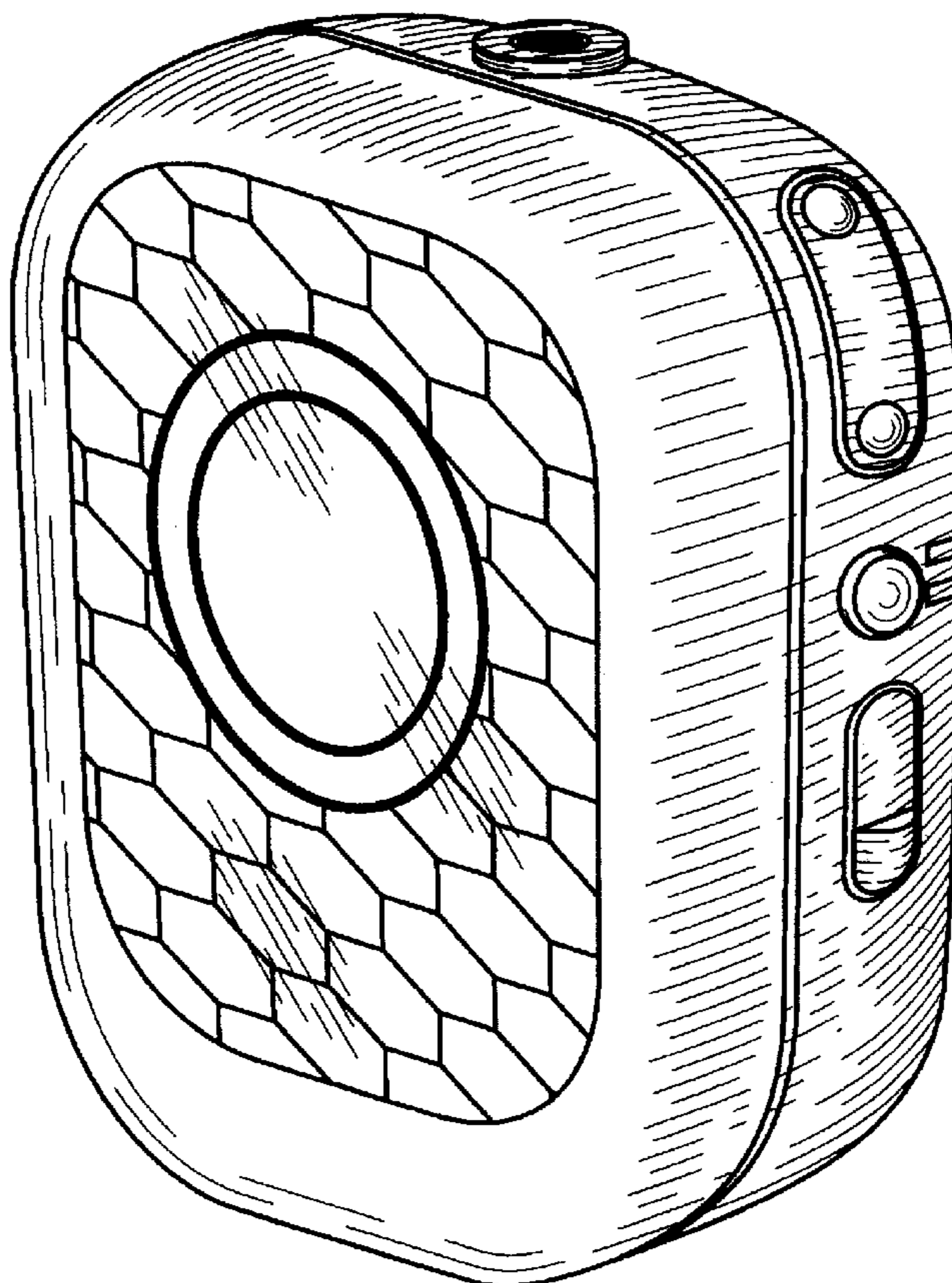
**U.S. PATENT DOCUMENTS**

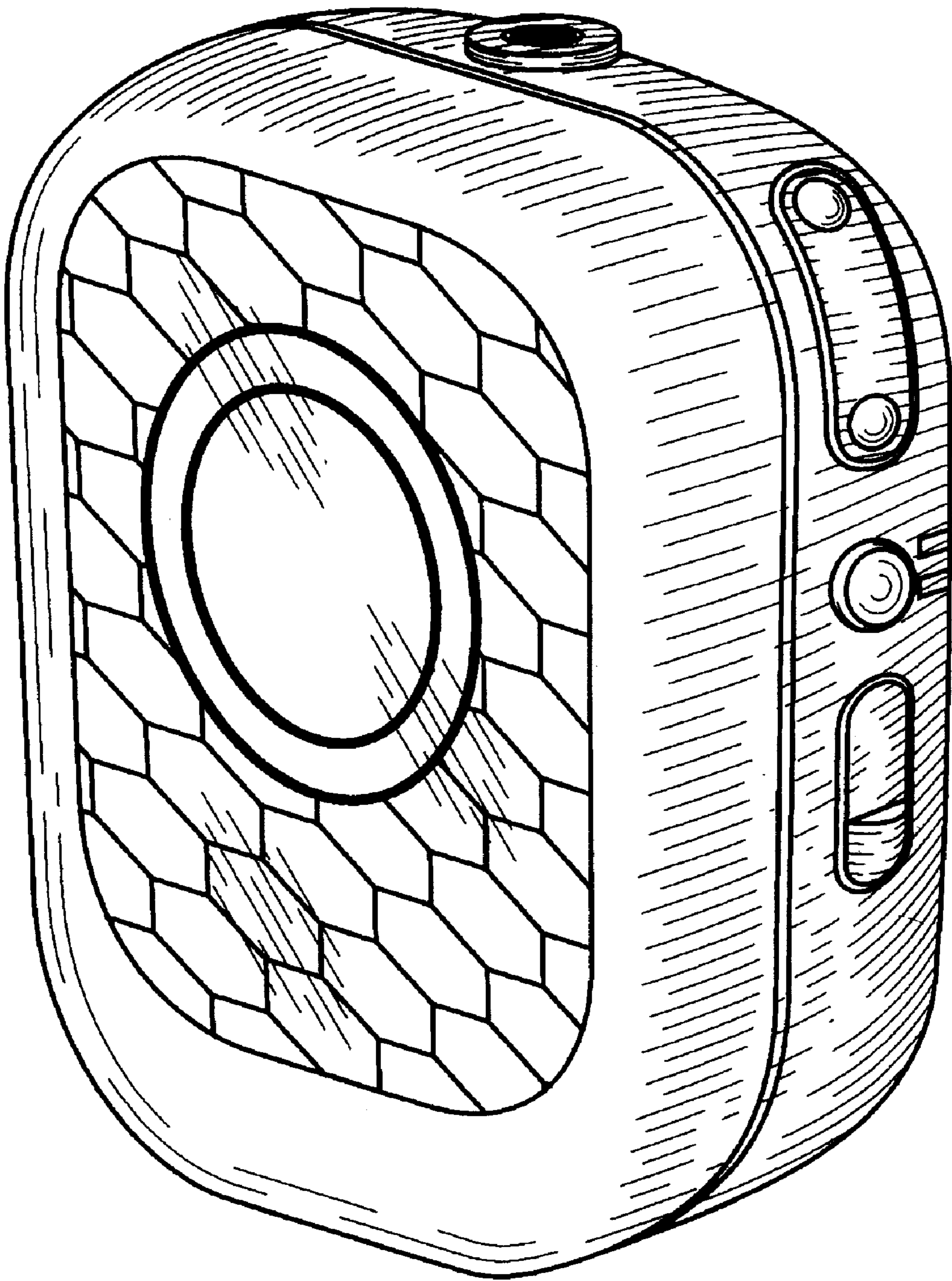
D328,896 S \* 8/1992 Warburton ..... D14/188  
D409,194 S \* 5/1999 Ridinger ..... D14/188  
D409,606 S \* 5/1999 Syudo ..... D14/156

FIG. 6 is a bottom plan view of the MP3 audio player shown  
in FIG. 1; and,

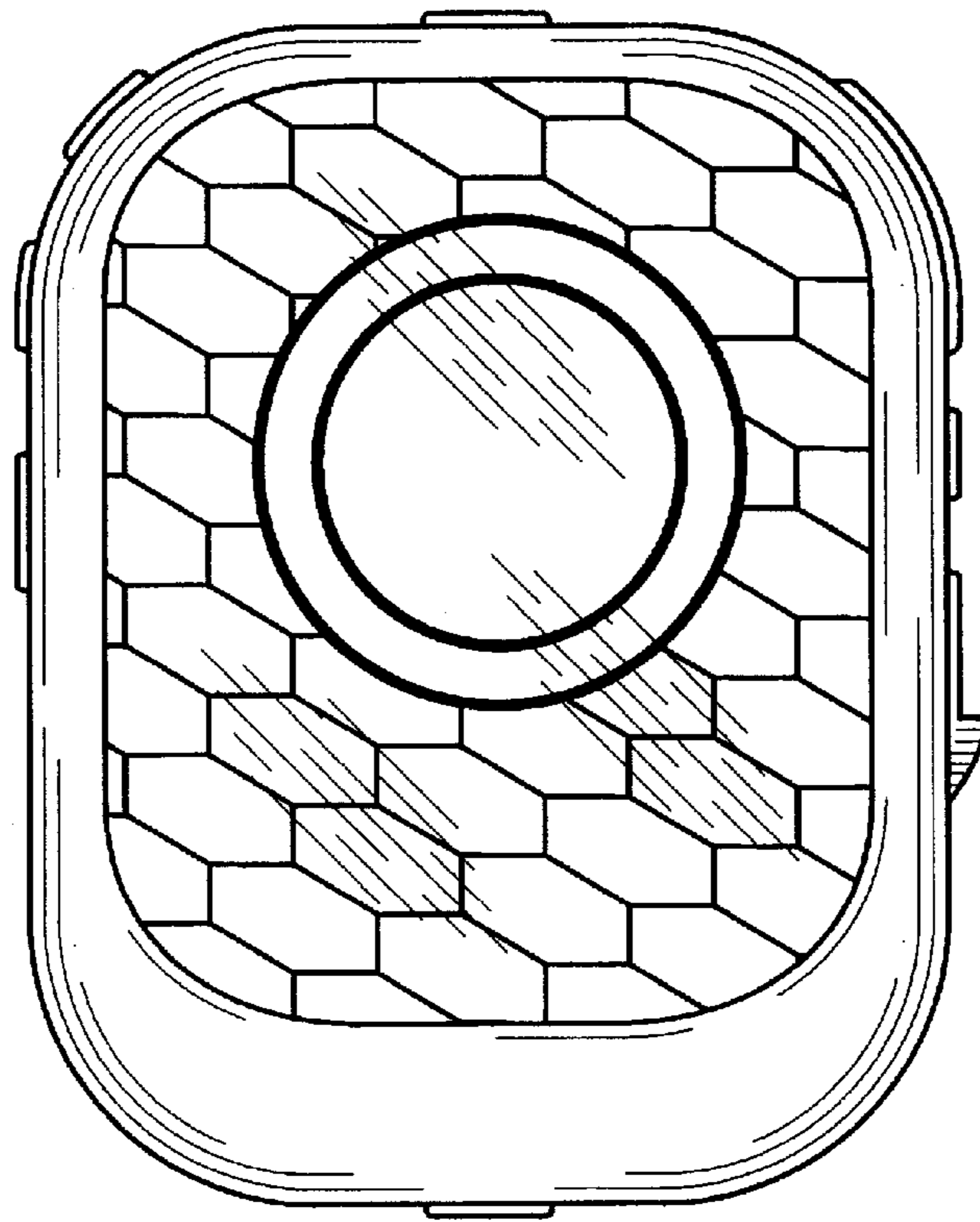
FIG. 7 is a top plan view of the MP3 audio player shown in  
FIG. 1.

**1 Claim, 3 Drawing Sheets**

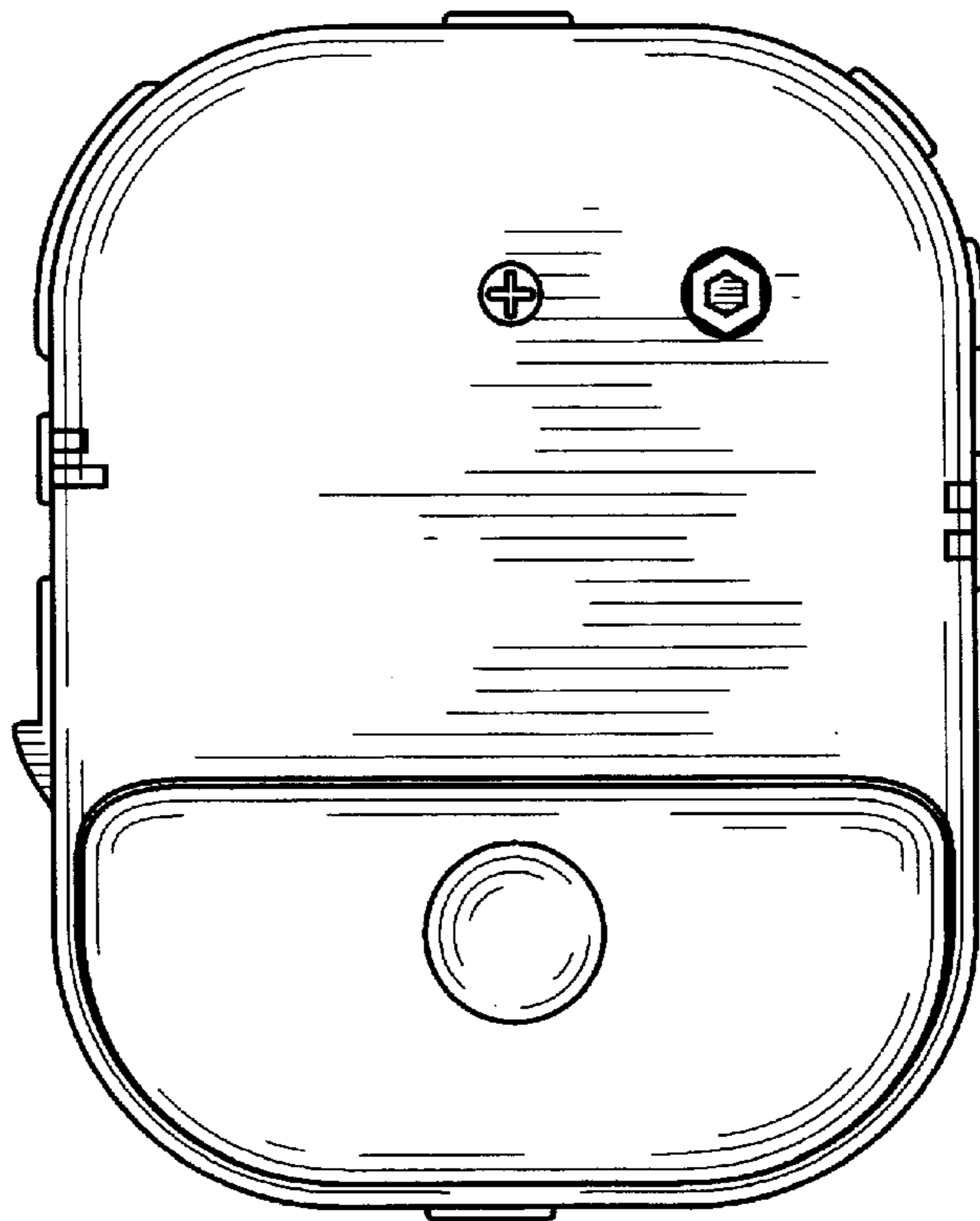




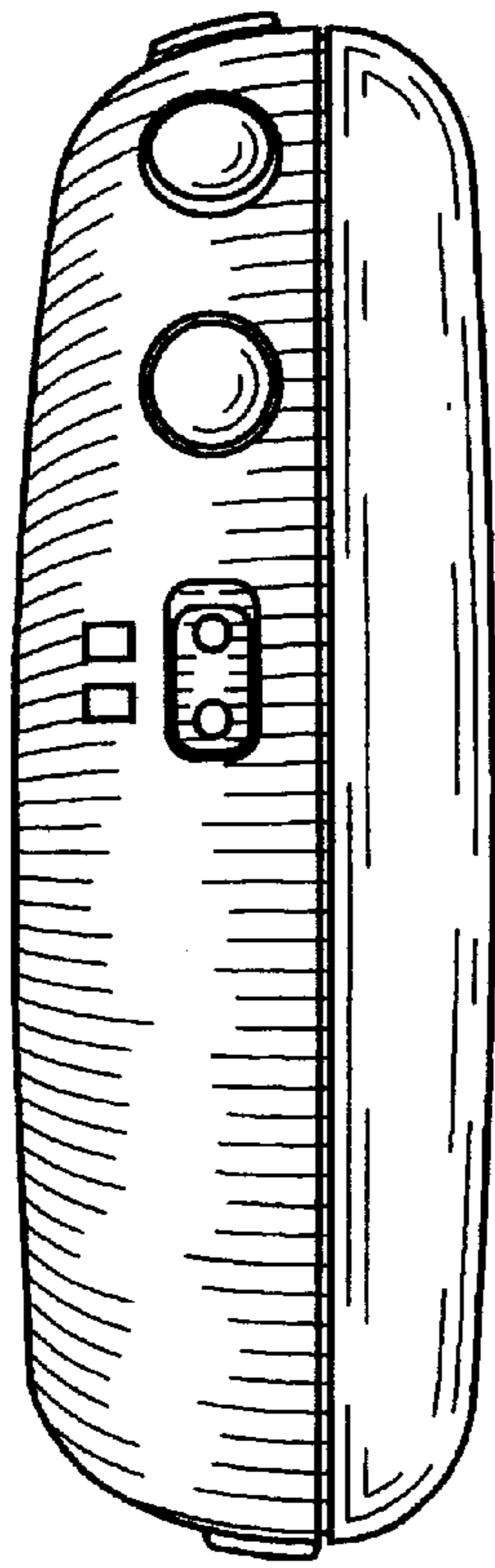
**FIG. 1**



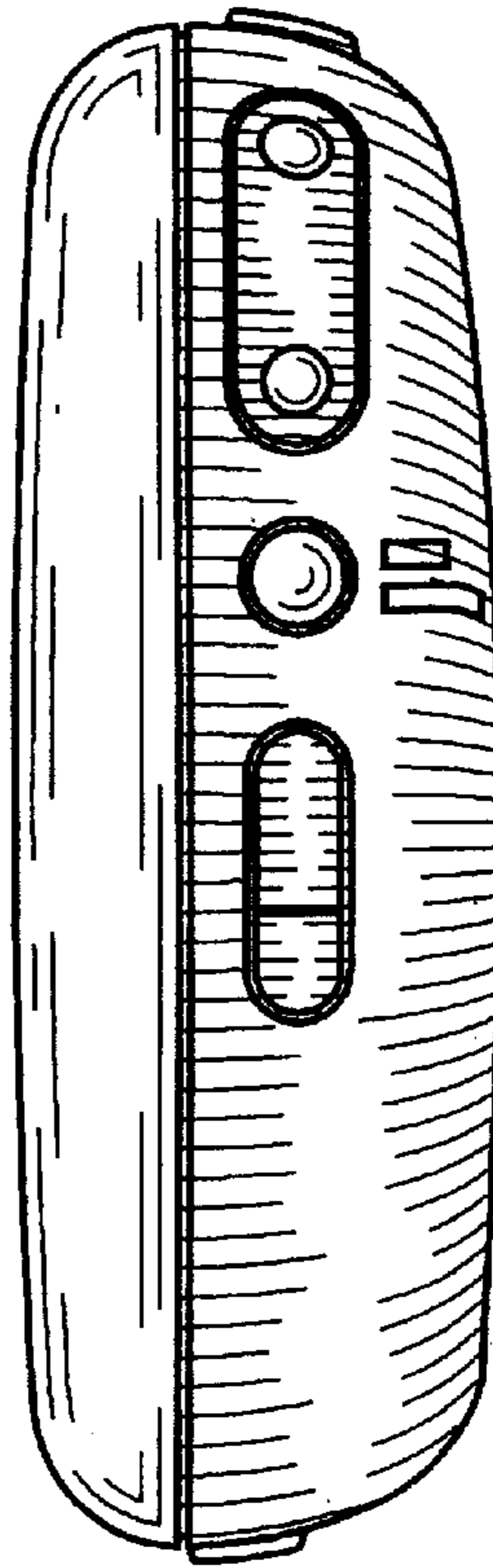
**FIG. 2**



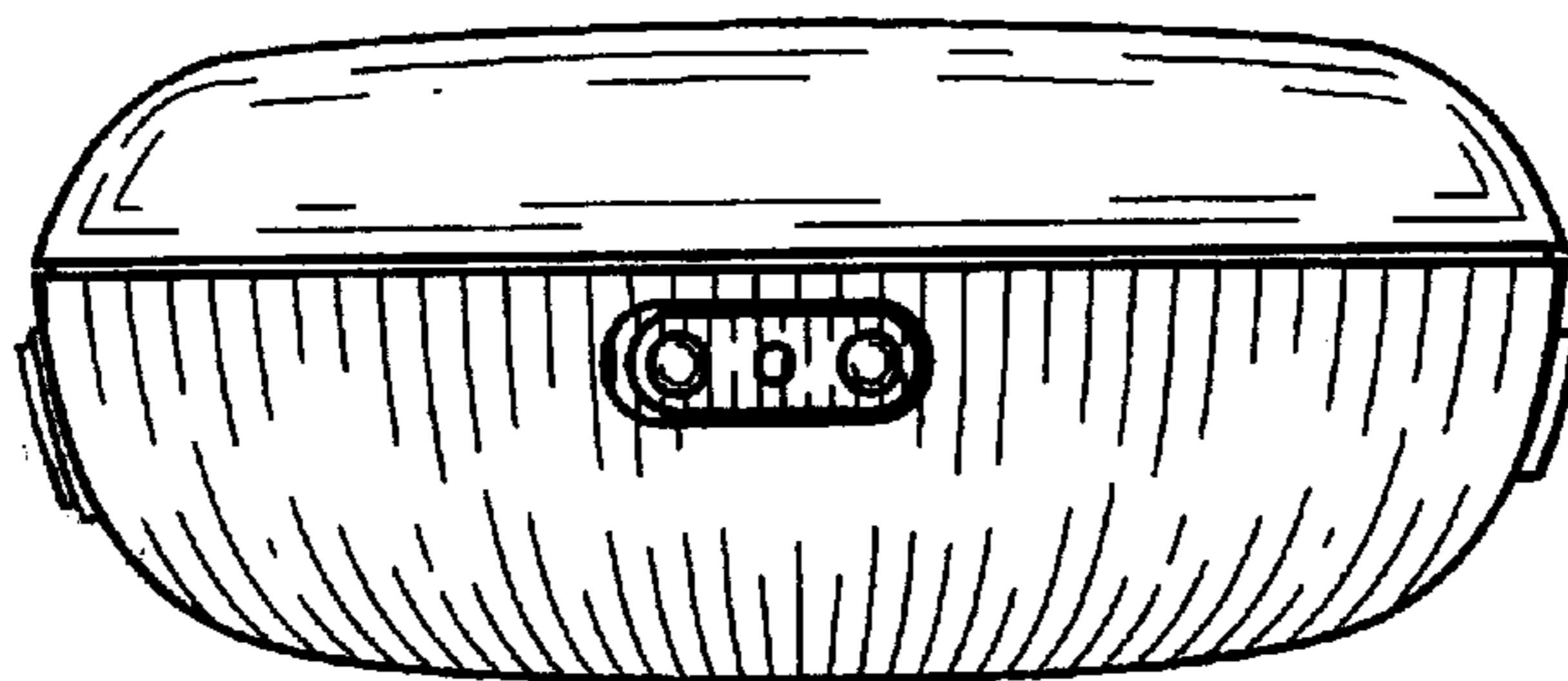
**FIG. 3**



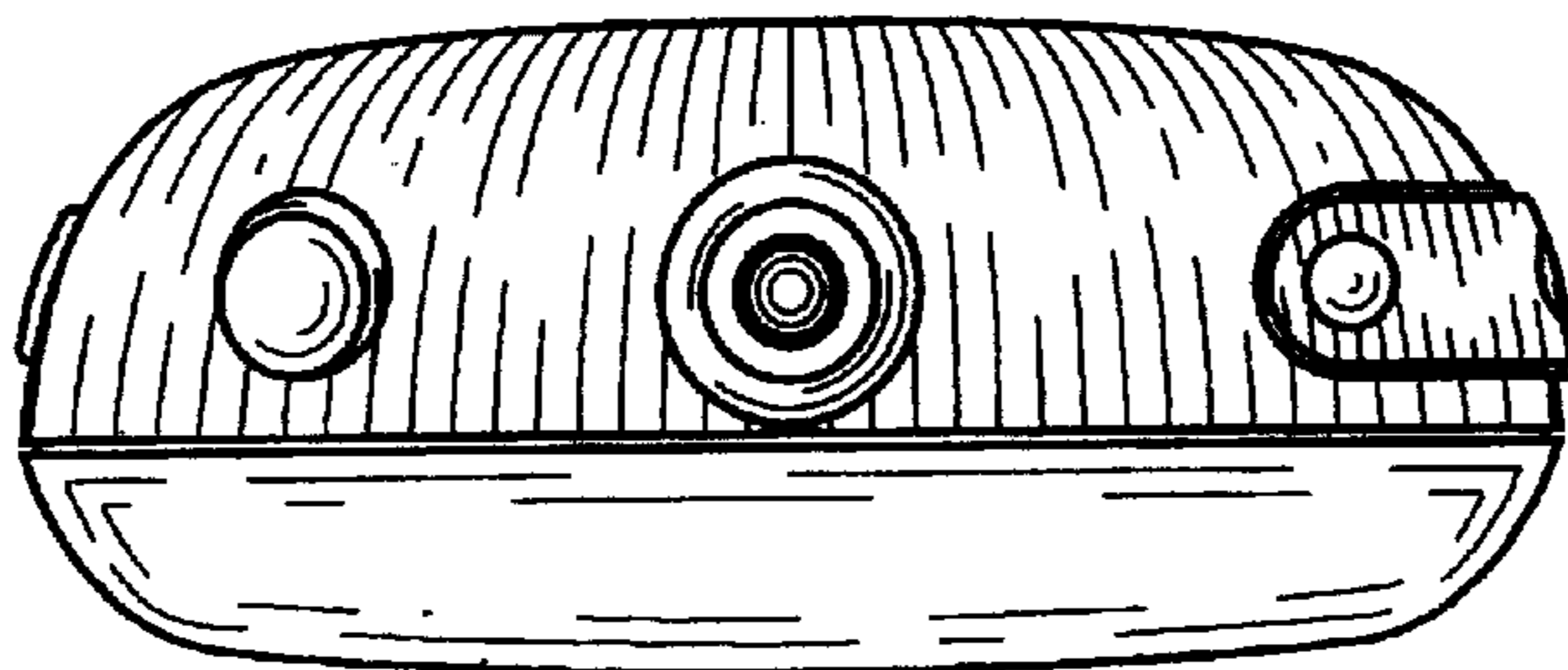
**FIG. 4**



**FIG. 5**



**FIG. 6**



**FIG. 7**