



US00D464936S

(12) **United States Design Patent**
Hu et al.

(10) **Patent No.:** **US D464,936 S**

(45) **Date of Patent:** **** Oct. 29, 2002**

(54) **ELECTRICAL CONNECTOR**

(75) Inventors: **JinKui Hu**, Kunsan (CN); **ZiQiang Zhu**, Kunsan (CN)

(73) Assignee: **Hon Hai Precision Ind. Co., Ltd.**, Taipei Hsien (TW)

(**) Term: **14 Years**

(21) Appl. No.: **29/151,478**

(22) Filed: **Nov. 30, 2001**

(30) **Foreign Application Priority Data**

Nov. 2, 2001 (TW) 090307061

(51) **LOC (7) Cl.** **13-03**

(52) **U.S. Cl.** **D13/147**

(58) **Field of Search** D13/146, 147;
439/108, 607, 609, 540.1, 541.5

(56) **References Cited**

U.S. PATENT DOCUMENTS

D407,070 S * 3/1999 Chang D13/147
D409,983 S * 5/1999 Wu D13/147

D419,134 S * 1/2000 Chen D13/146
6,155,872 A * 12/2000 Wu 439/541.5
6,183,292 B1 * 2/2001 Chen et al. 439/541.5
D442,145 S * 5/2001 Zheng et al. D13/147
6,238,241 B1 * 5/2001 Zhu et al. 439/541.5
D446,775 S * 8/2001 Chao-Hsing et al. D13/147

* cited by examiner

Primary Examiner—Joel Sincavage

(74) *Attorney, Agent, or Firm*—Wei Te Chung

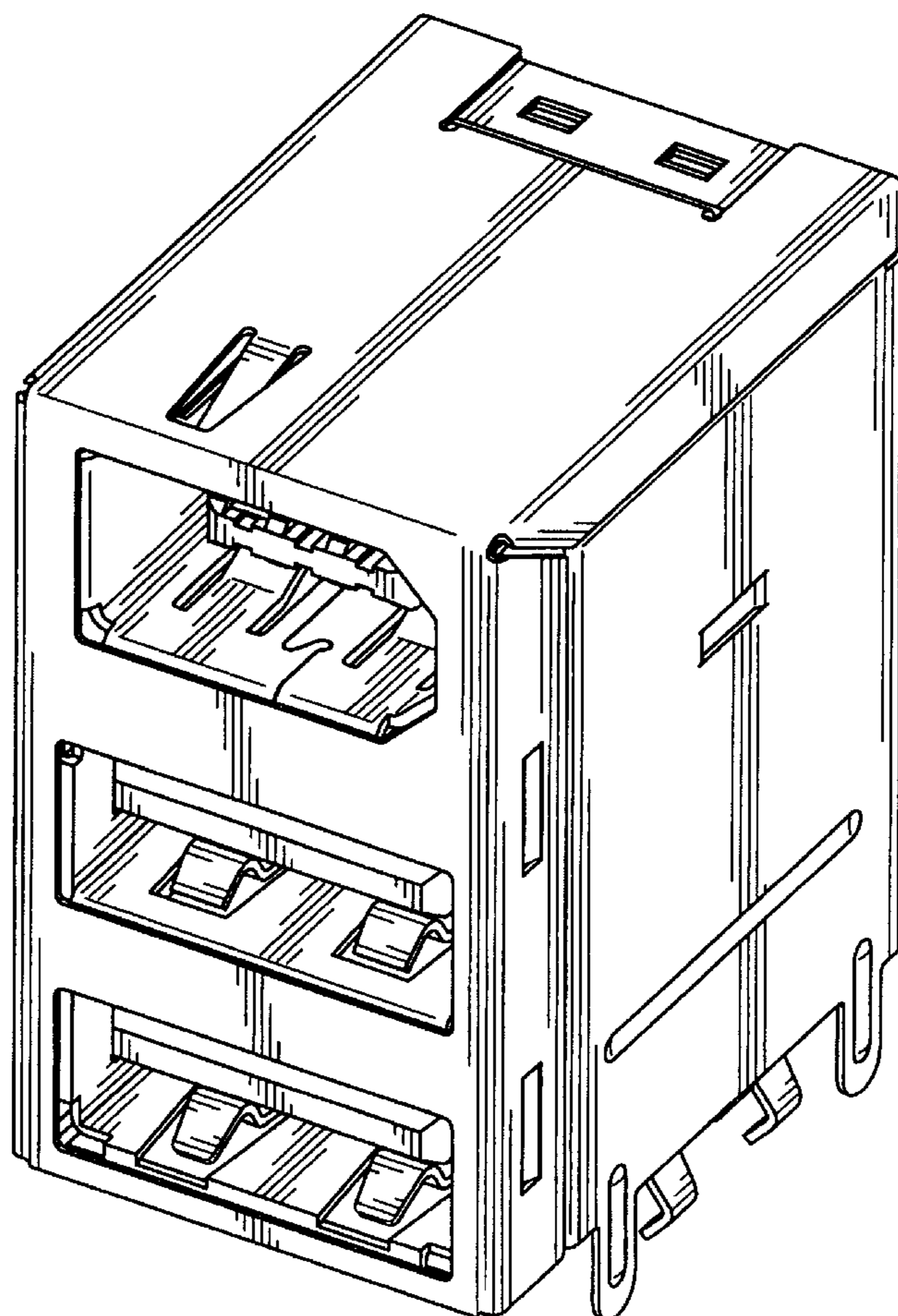
(57) **CLAIM**

The ornamental design for an electrical connector, as shown.

DESCRIPTION

FIG. 1 is a front, top and right side perspective view of an electrical connector showing our new design; FIG. 2 is a front elevational view thereof; FIG. 3 is a rear elevational view thereof; FIG. 4 is a left side elevational view thereof; FIG. 5 is a right side elevational view thereof; FIG. 6 is a top plan view thereof; and, FIG. 7 is a bottom plan view thereof.

1 Claim, 7 Drawing Sheets



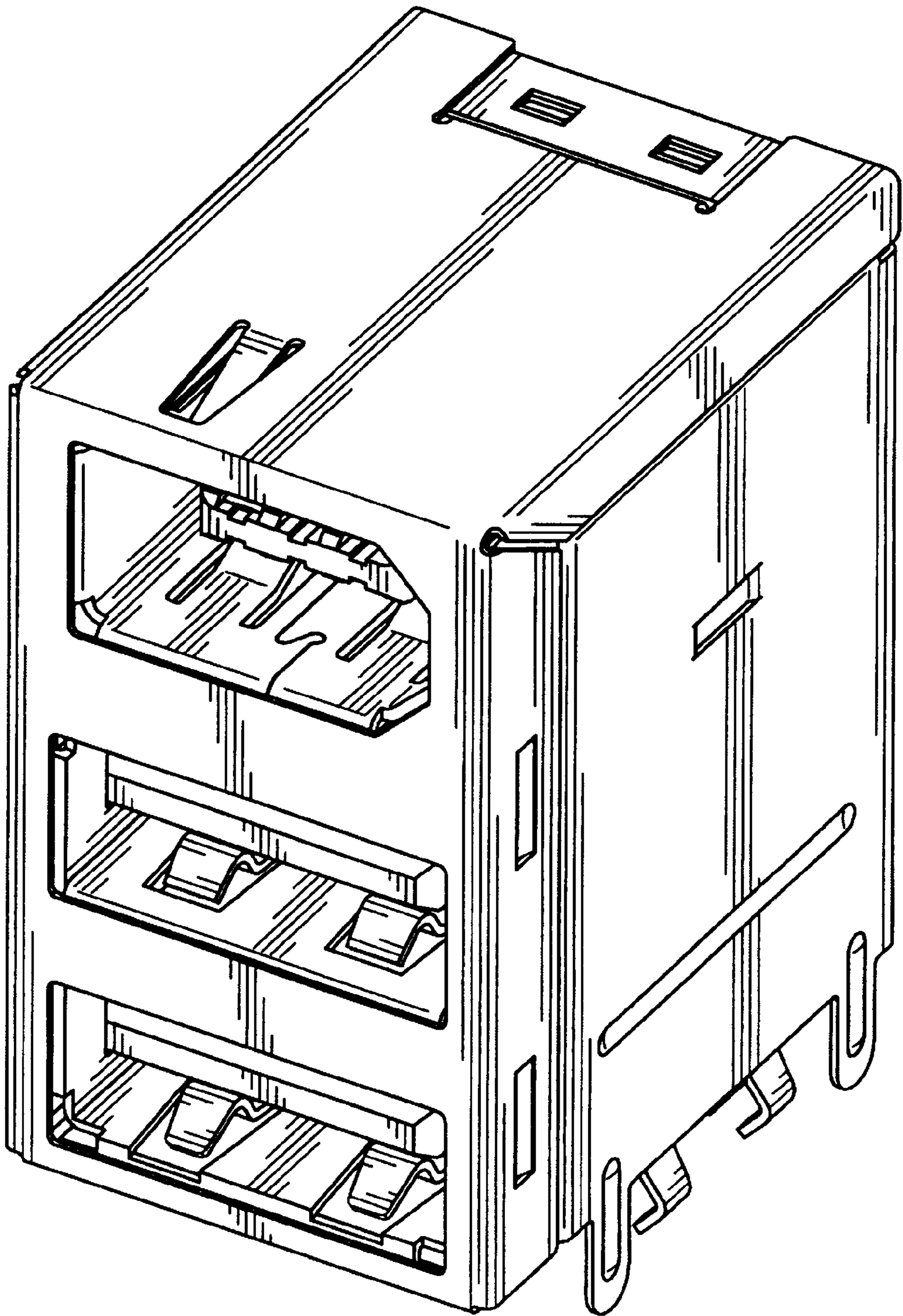


FIG. 1

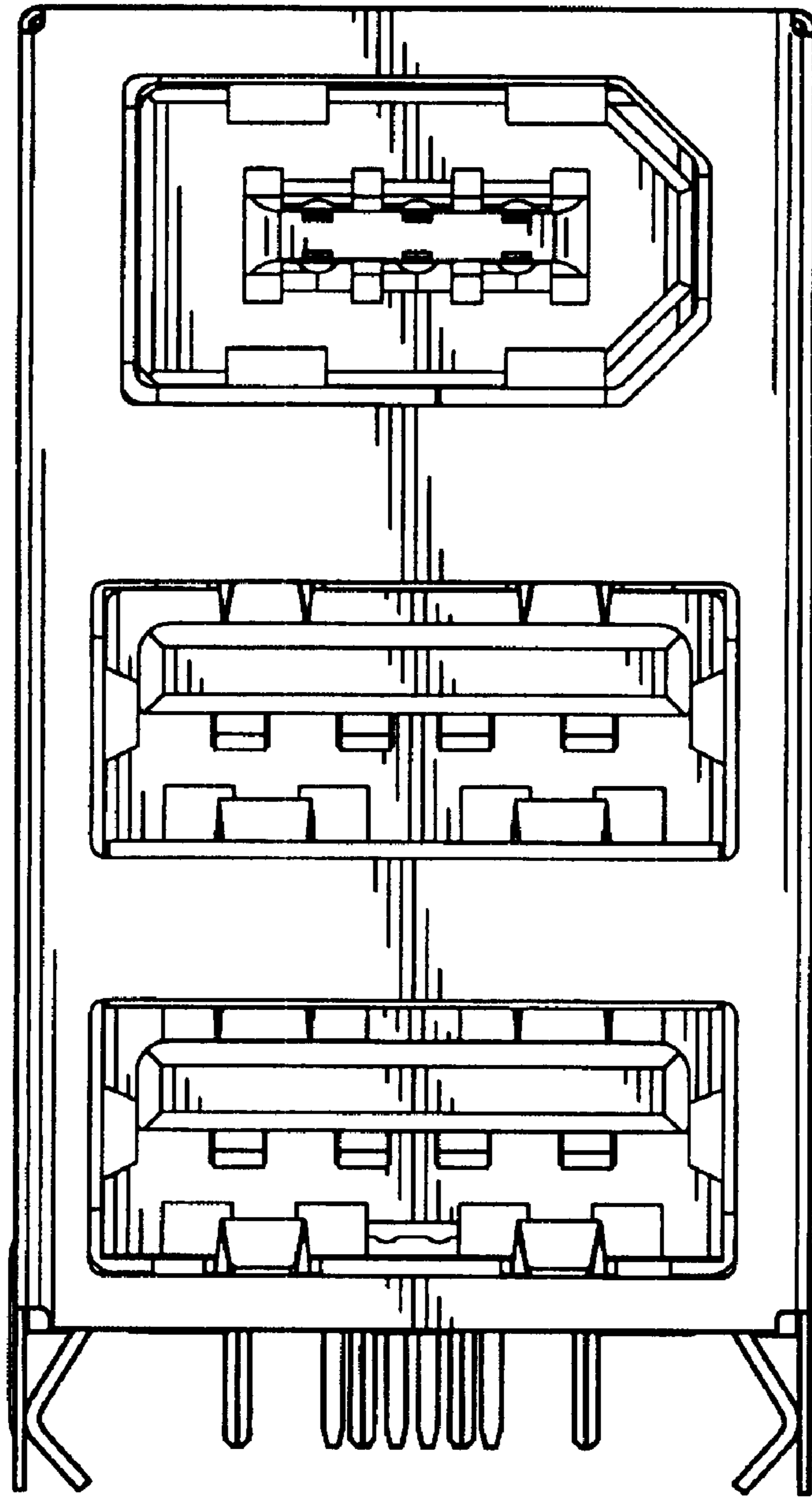


FIG. 2

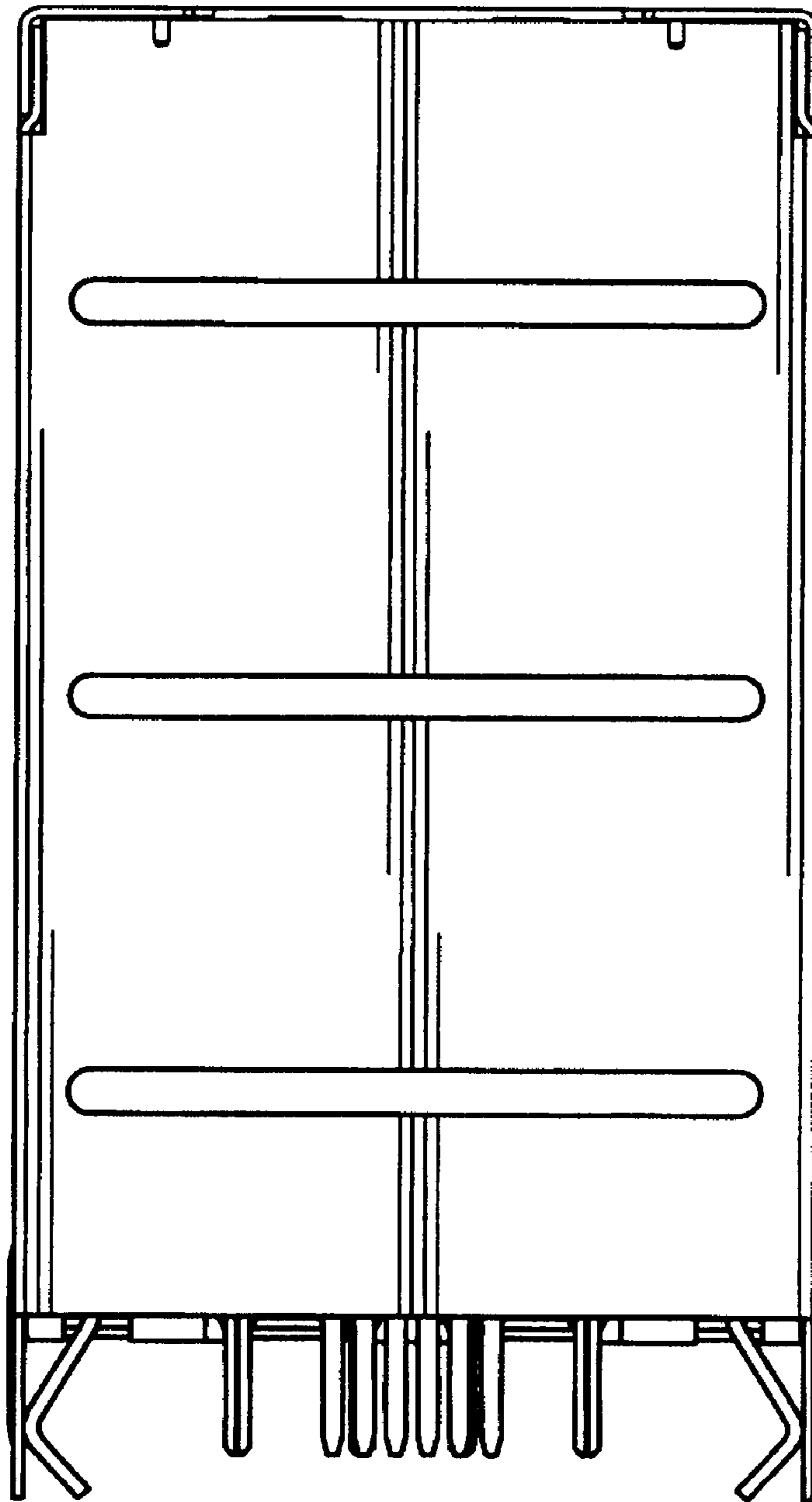


FIG. 3

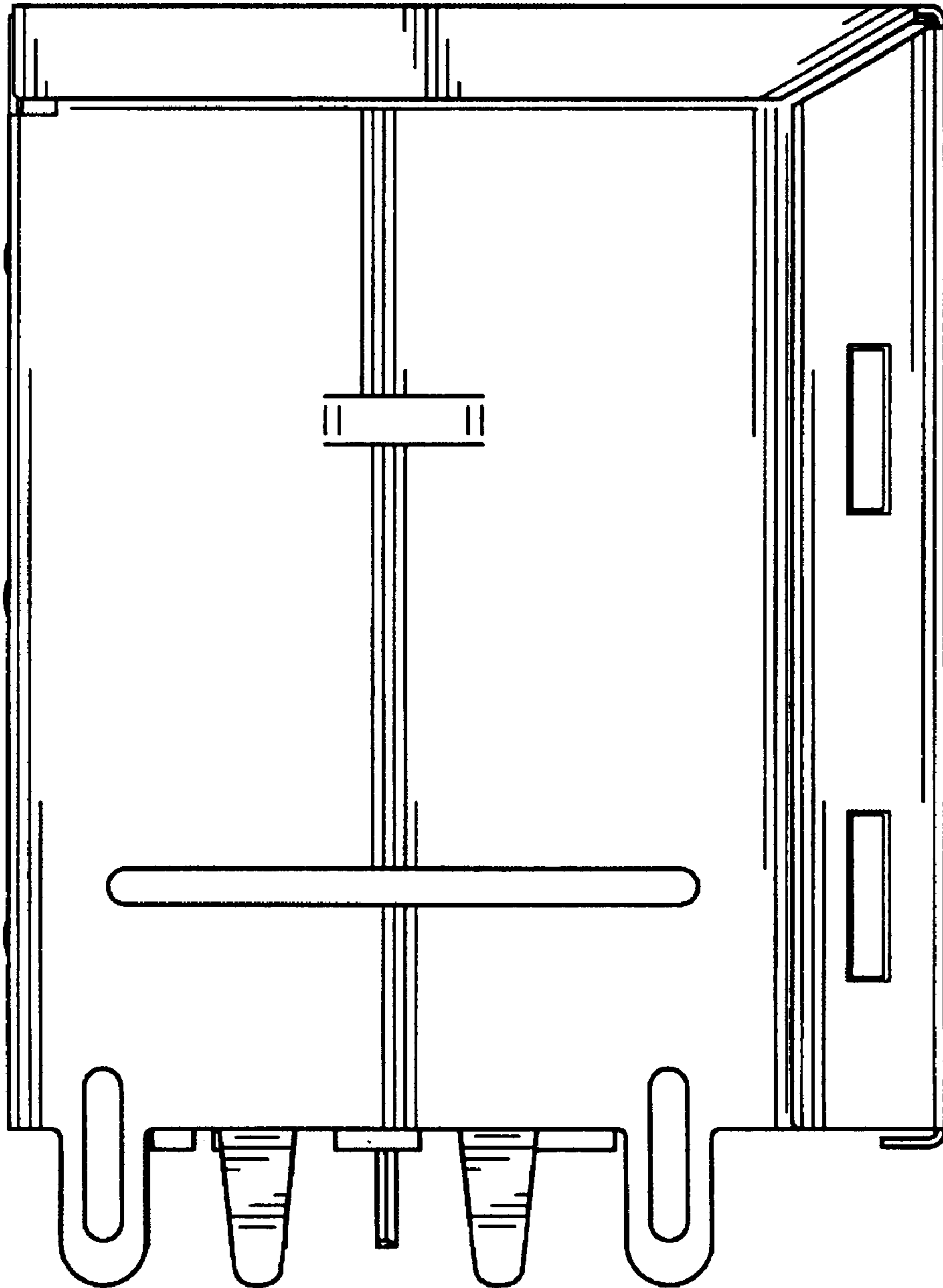


FIG. 4

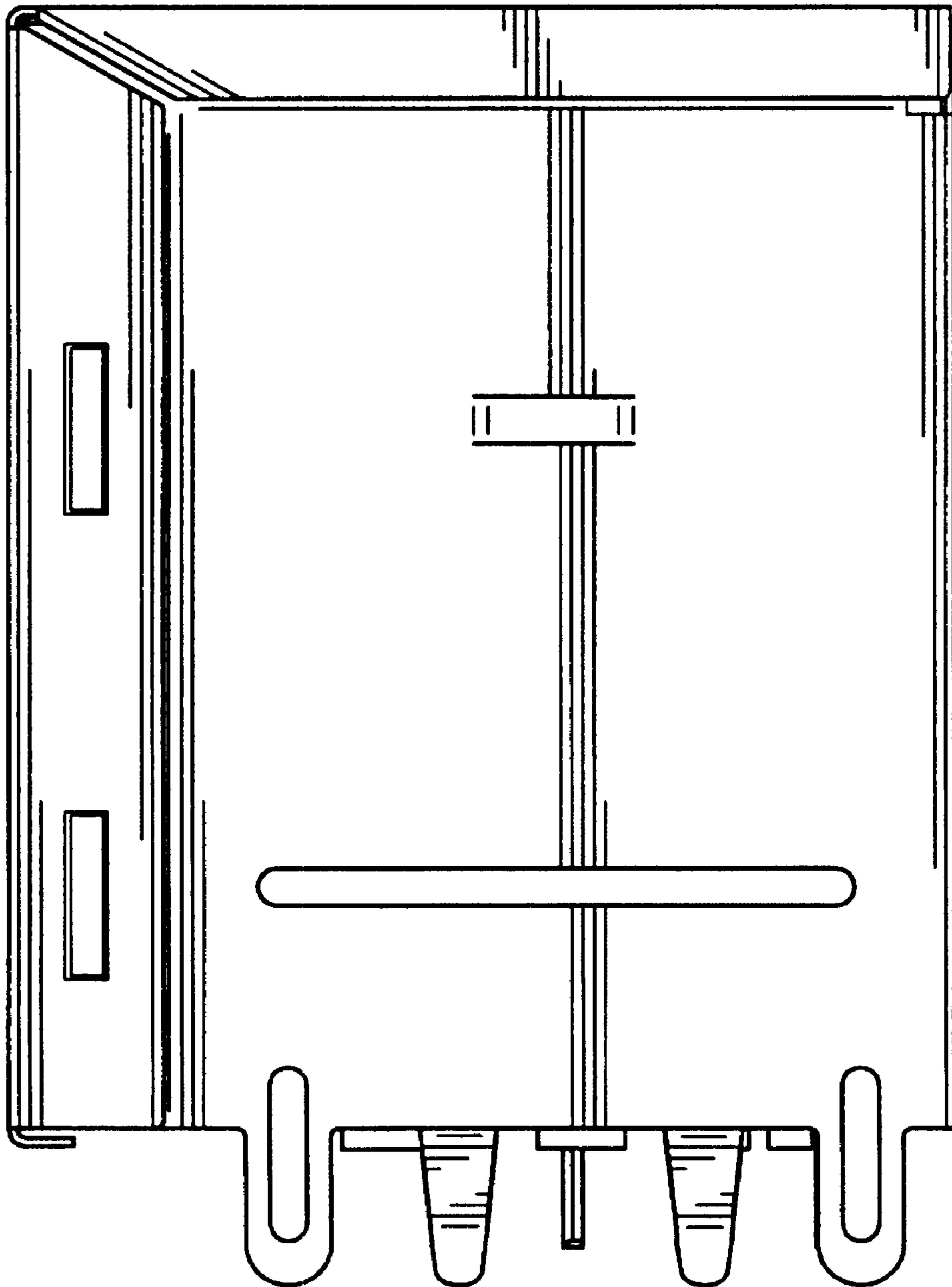


FIG. 5

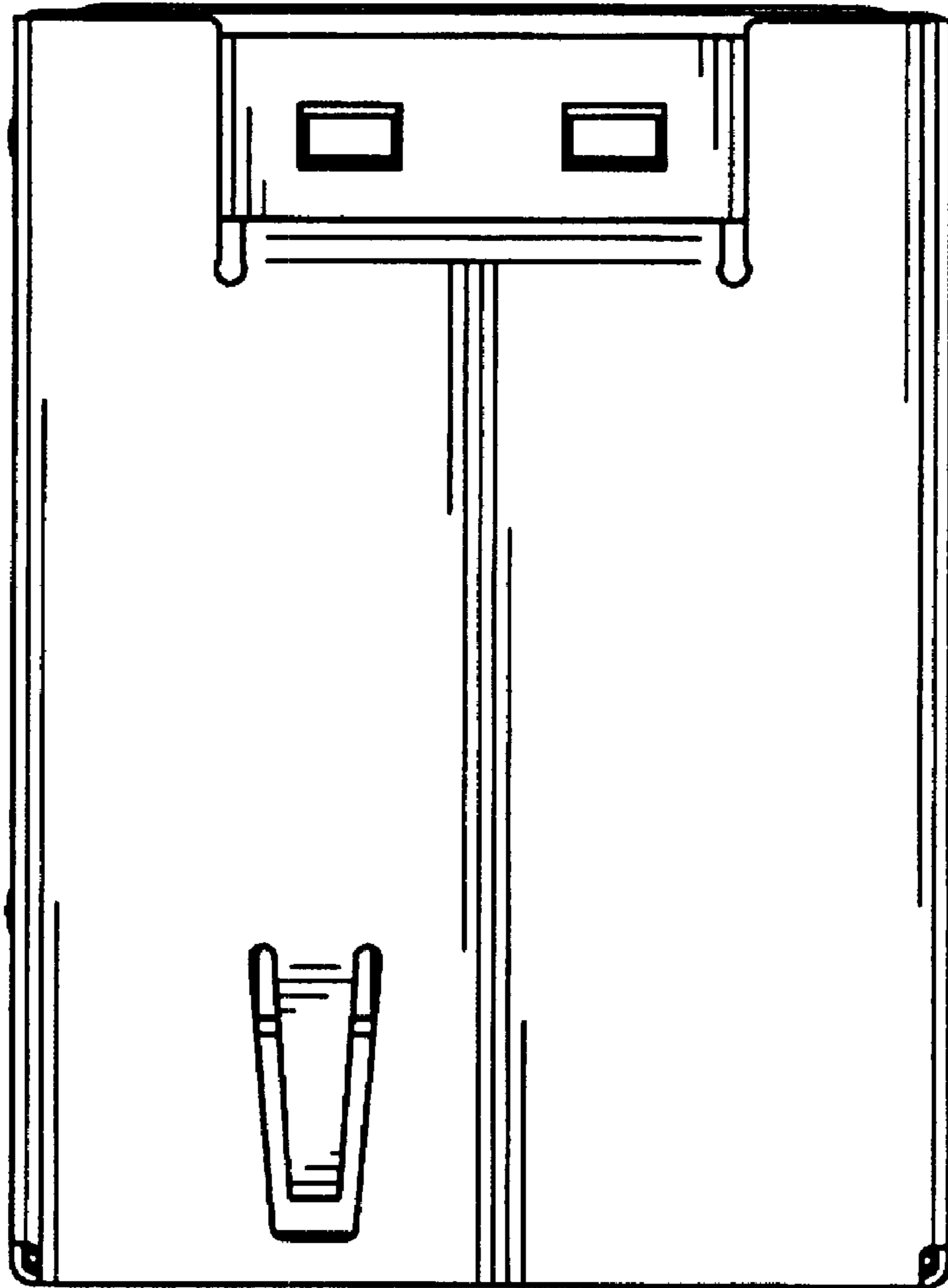


FIG. 6

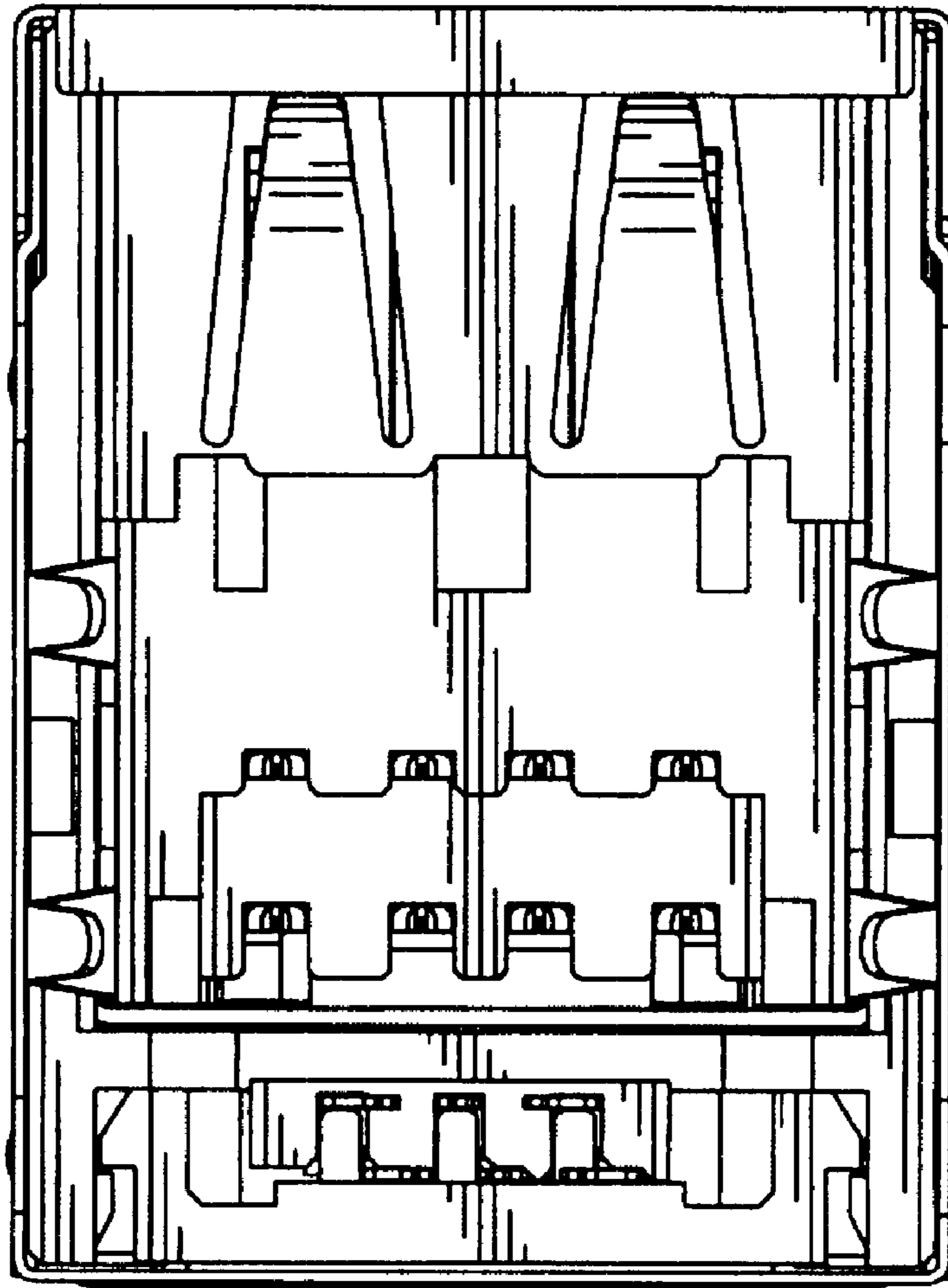


FIG. 7