



US00D464935S

(12) **United States Design Patent**
Krieger et al.

(10) **Patent No.:** **US D464,935 S**

(45) **Date of Patent:** **** Oct. 29, 2002**

(54) **JUMP-START SYSTEM WITH COMPRESSOR**

(75) Inventors: **Michael Krieger**, Miami Beach, FL
(US); **Kevin Ellsworth**, Hollywood, FL
(US)

(73) Assignee: **Vector Products, Inc.**, Ft. Lauderdale,
FL (US)

(**) Term: **14 Years**

(21) Appl. No.: **29/156,565**

(22) Filed: **Mar. 5, 2002**

(51) **LOC (7) Cl.** **13-02**

(52) **U.S. Cl.** **D13/110**

(58) **Field of Search** D15/7-9; D13/106-108,
D13/110; 307/150, 151; 320/104, 105, 115;
429/65

(56) **References Cited**

U.S. PATENT DOCUMENTS

D374,859 S * 10/1996 Guay et al. D13/110
5,589,292 A * 12/1996 Rozon 429/65

D432,985 S * 10/2000 Wan D13/107
D444,125 S * 6/2001 Shy D13/110
D446,500 S * 8/2001 Krieger et al. D13/110
RE37,482 E * 12/2001 Guay et al. D13/110

* cited by examiner

Primary Examiner—Ralf Seifert

(74) *Attorney, Agent, or Firm*—Venable; Robert Kinberg

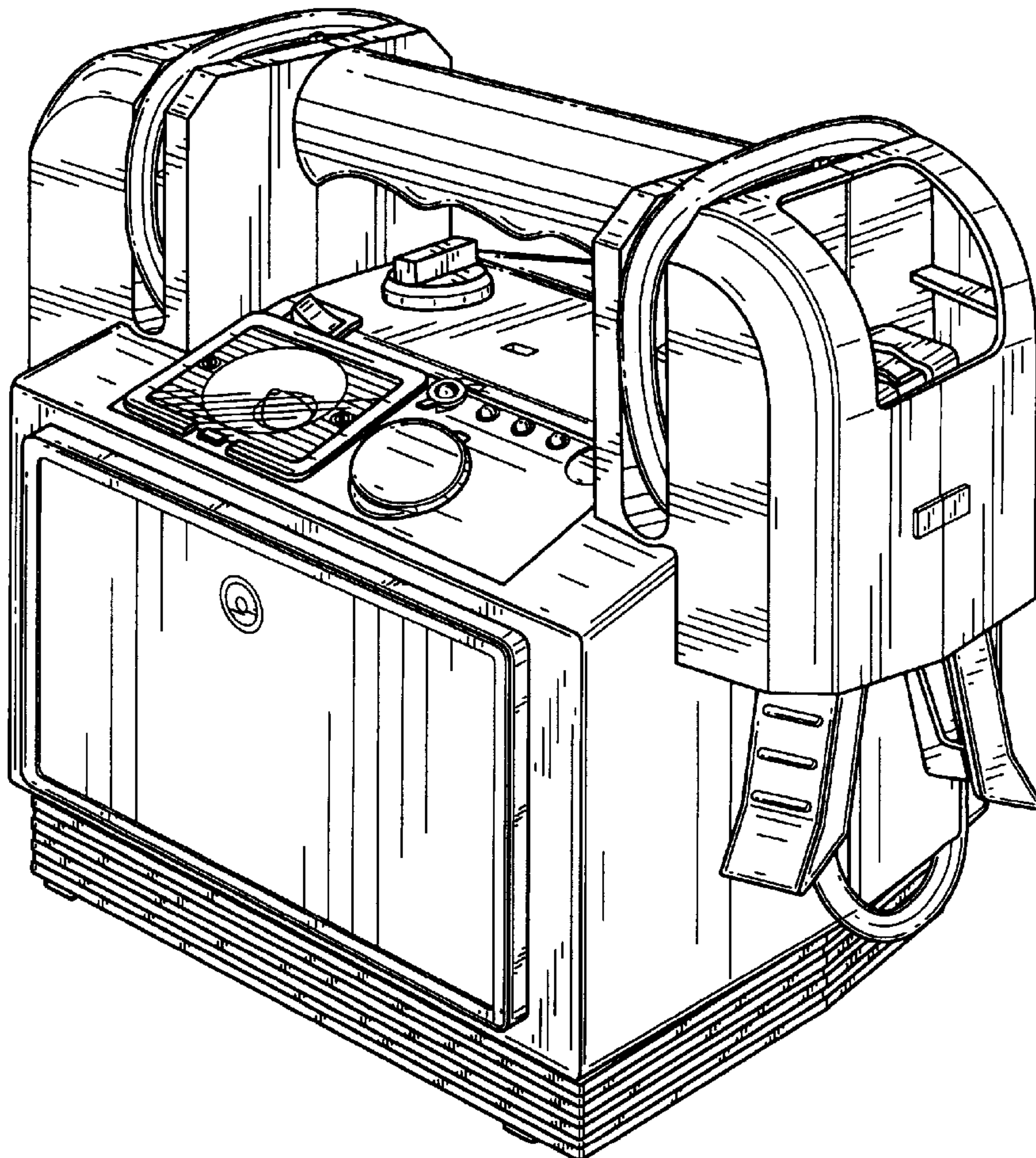
(57) **CLAIM**

The ornamental design for a jump-start system with compressor, as shown and described.

DESCRIPTION

FIG. 1 is a top-front-right perspective view of the jump-start system with compressor showing a new design;
FIG. 2 is a front view of the design shown in FIG. 1;
FIG. 3 is a back view of the design shown in FIG. 1;
FIG. 4 is a top view of the design shown in FIG. 1;
FIG. 5 is a bottom view of the design shown in FIG. 1;
FIG. 6 is a right side view of the design shown in FIG. 1;
and,
FIG. 7 is a left side view of the design shown in FIG. 1.

1 Claim, 7 Drawing Sheets



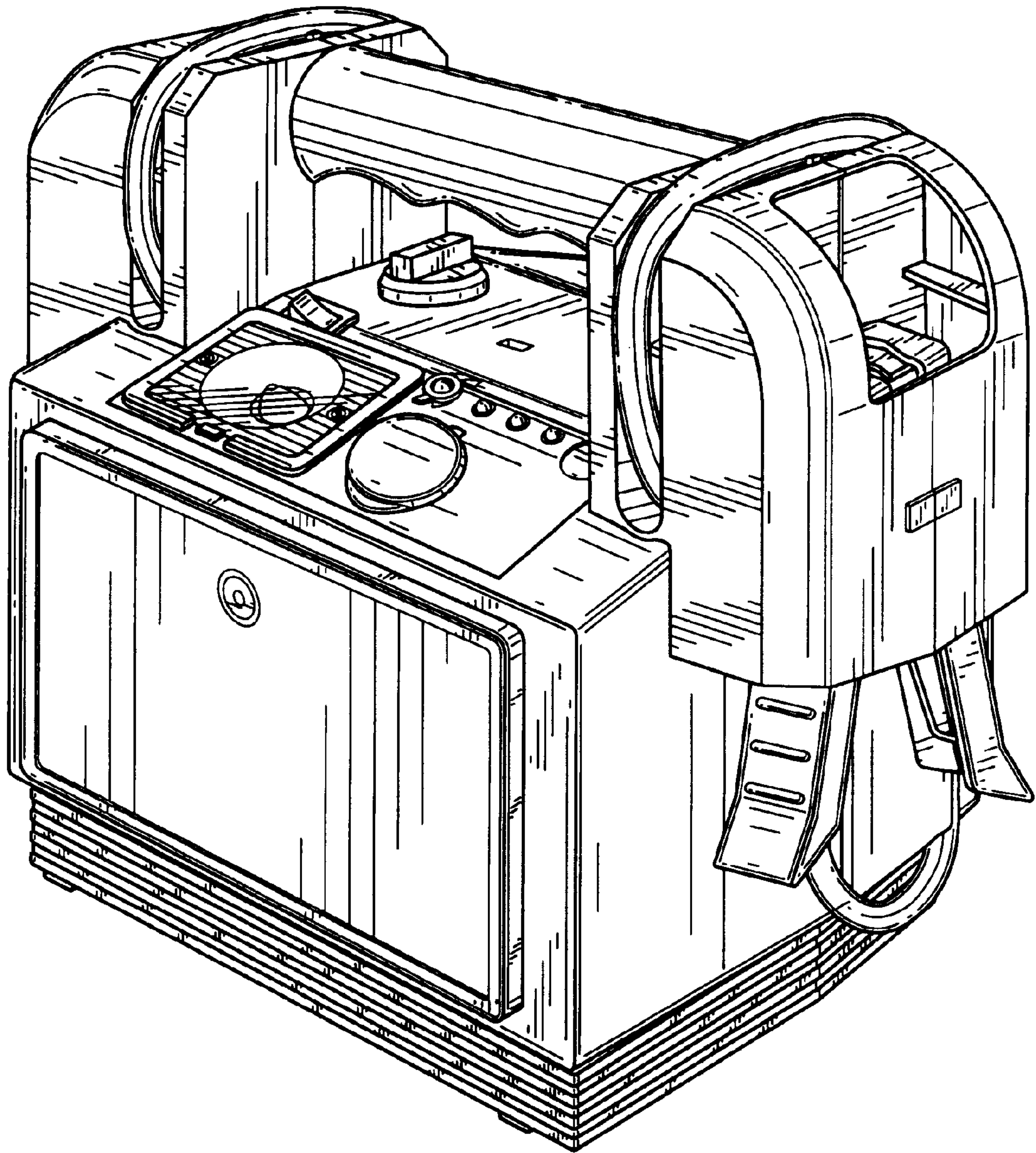


FIG. 1

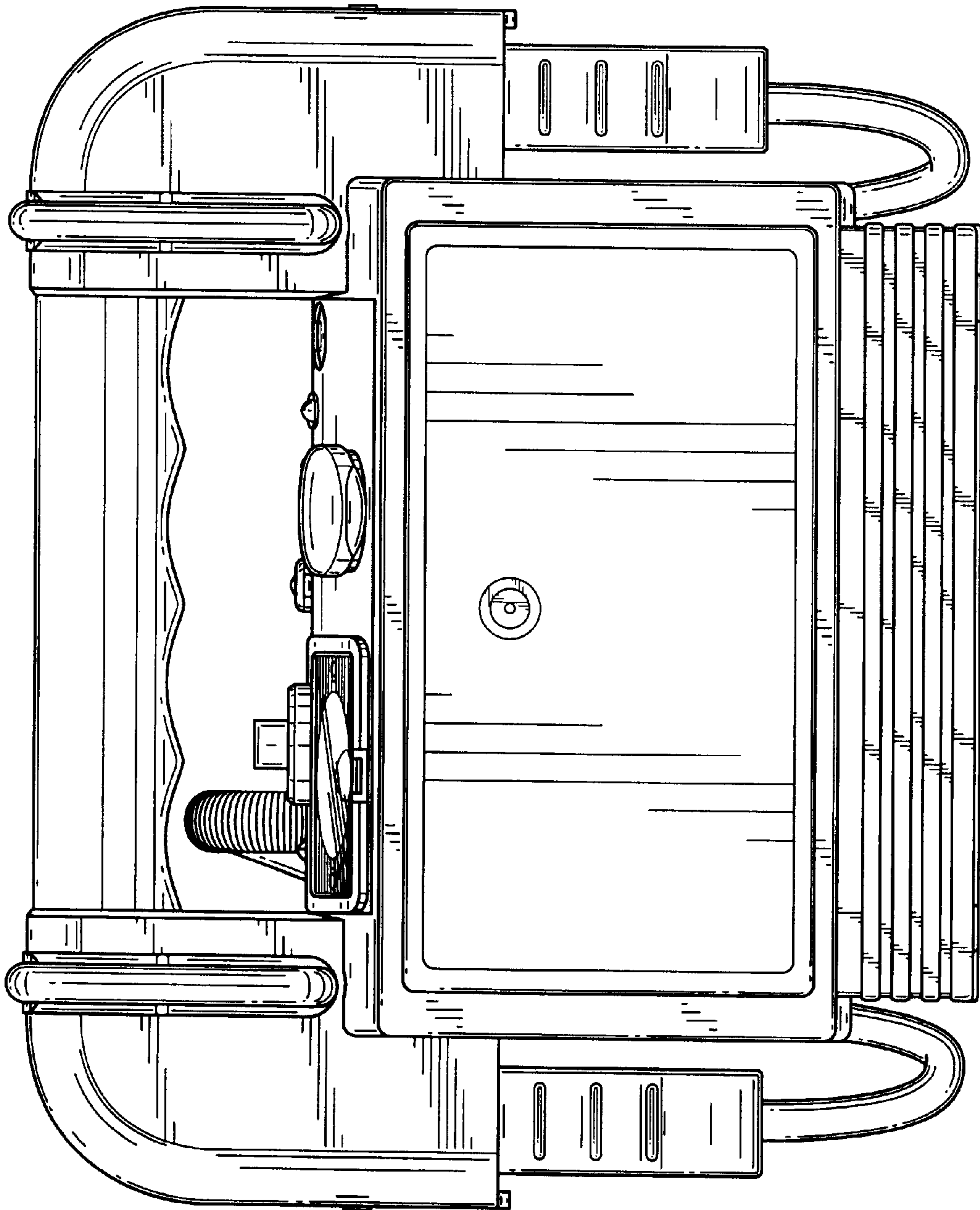


FIG. 2

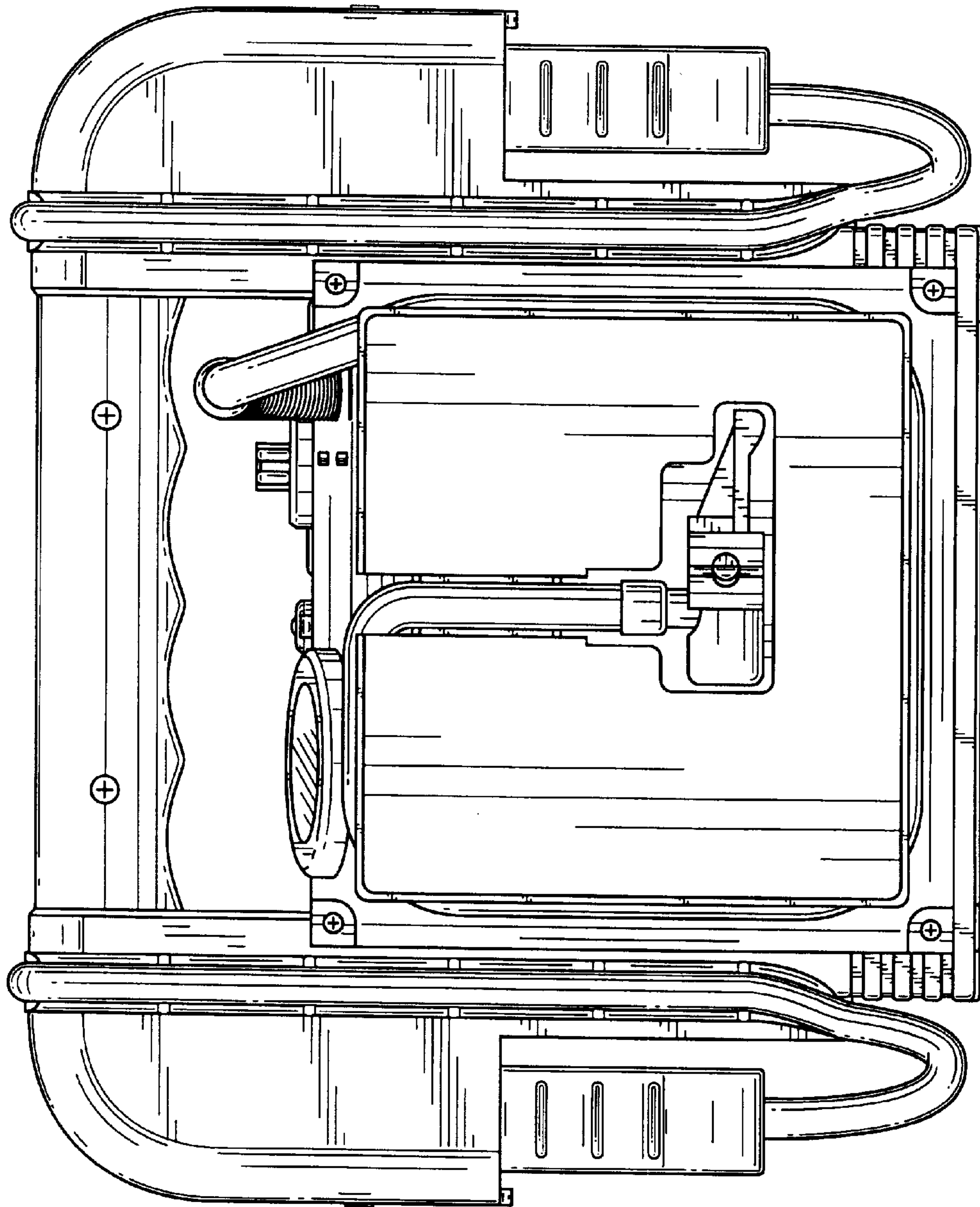


FIG. 3

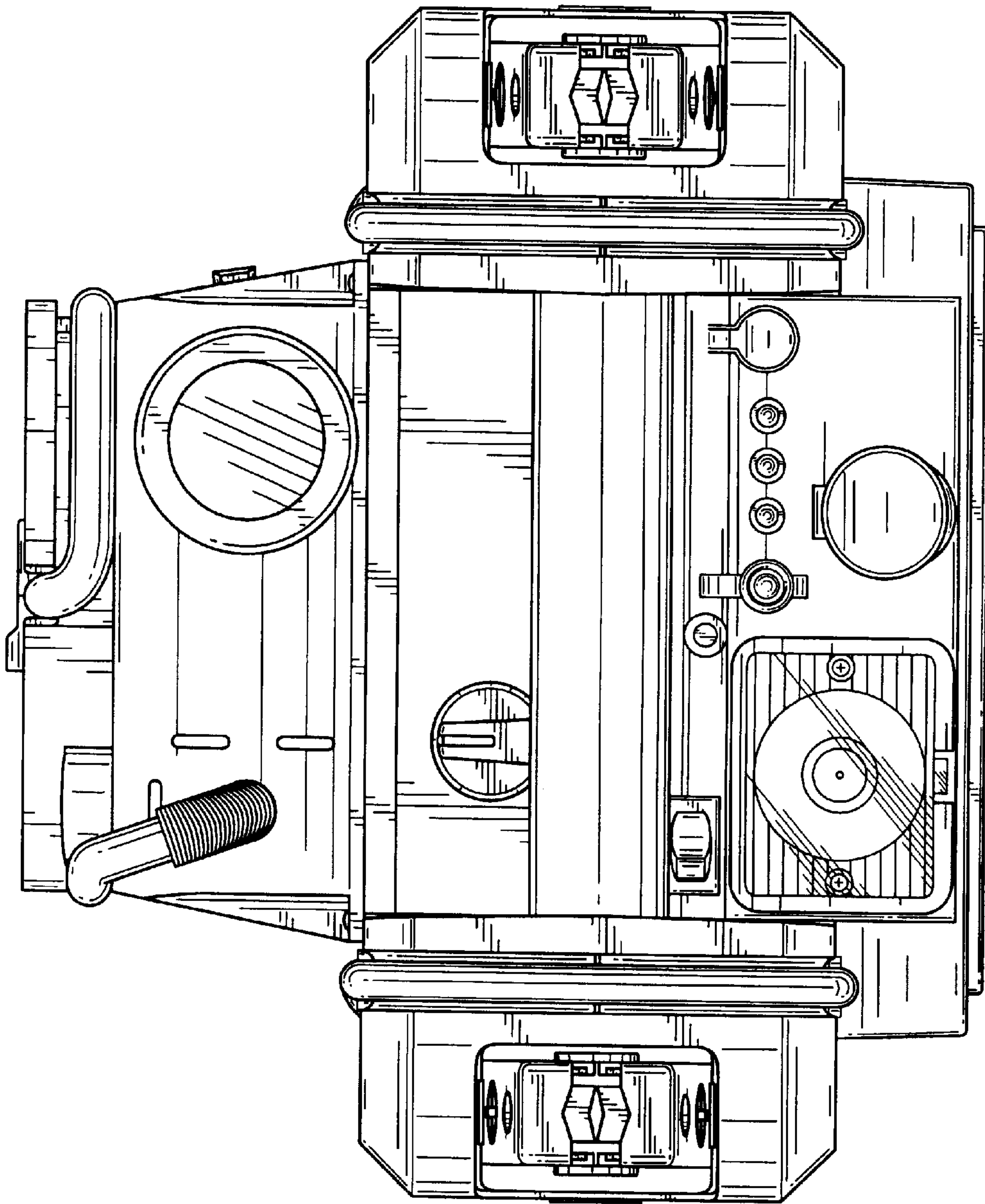


FIG. 4

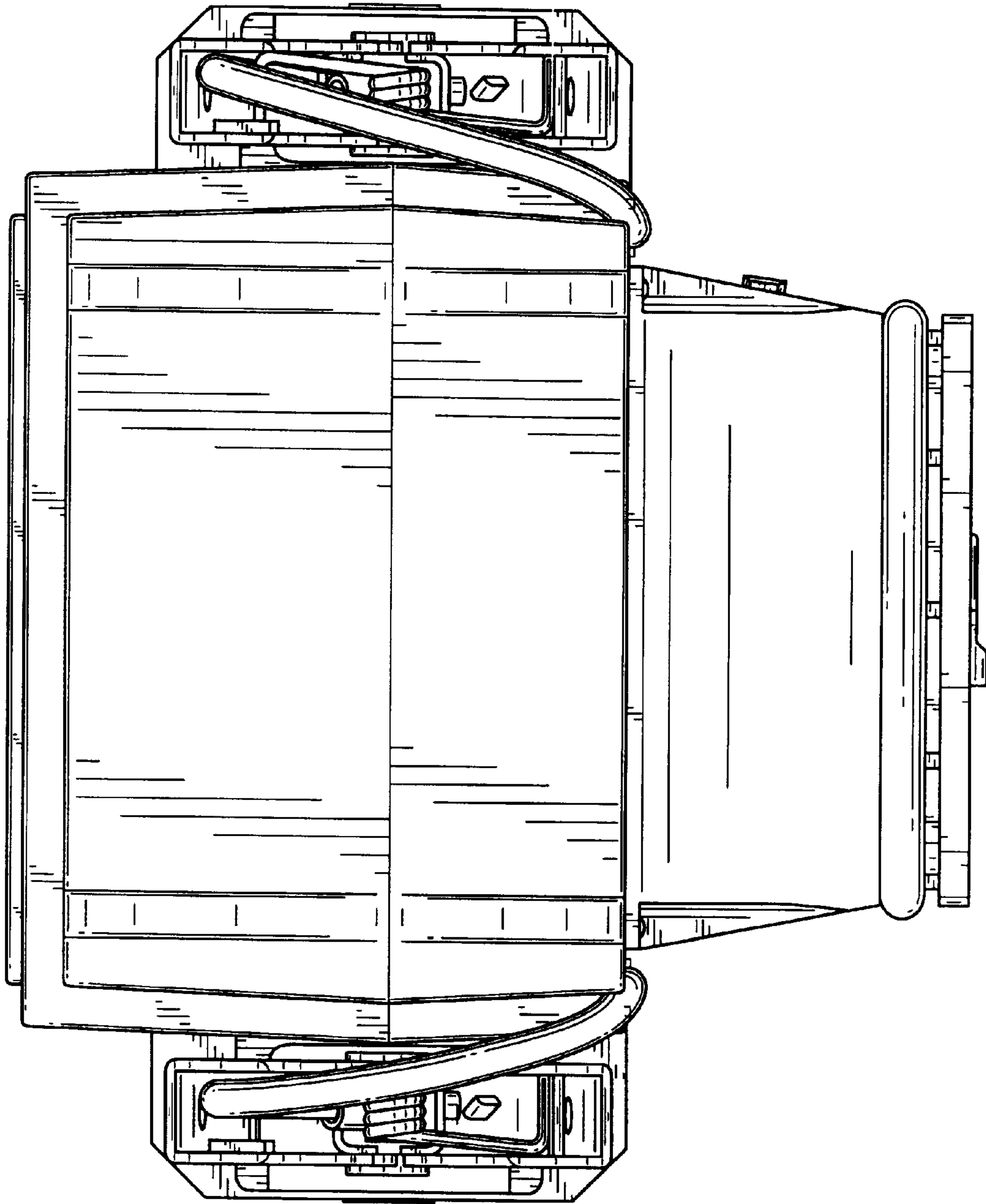


FIG. 5

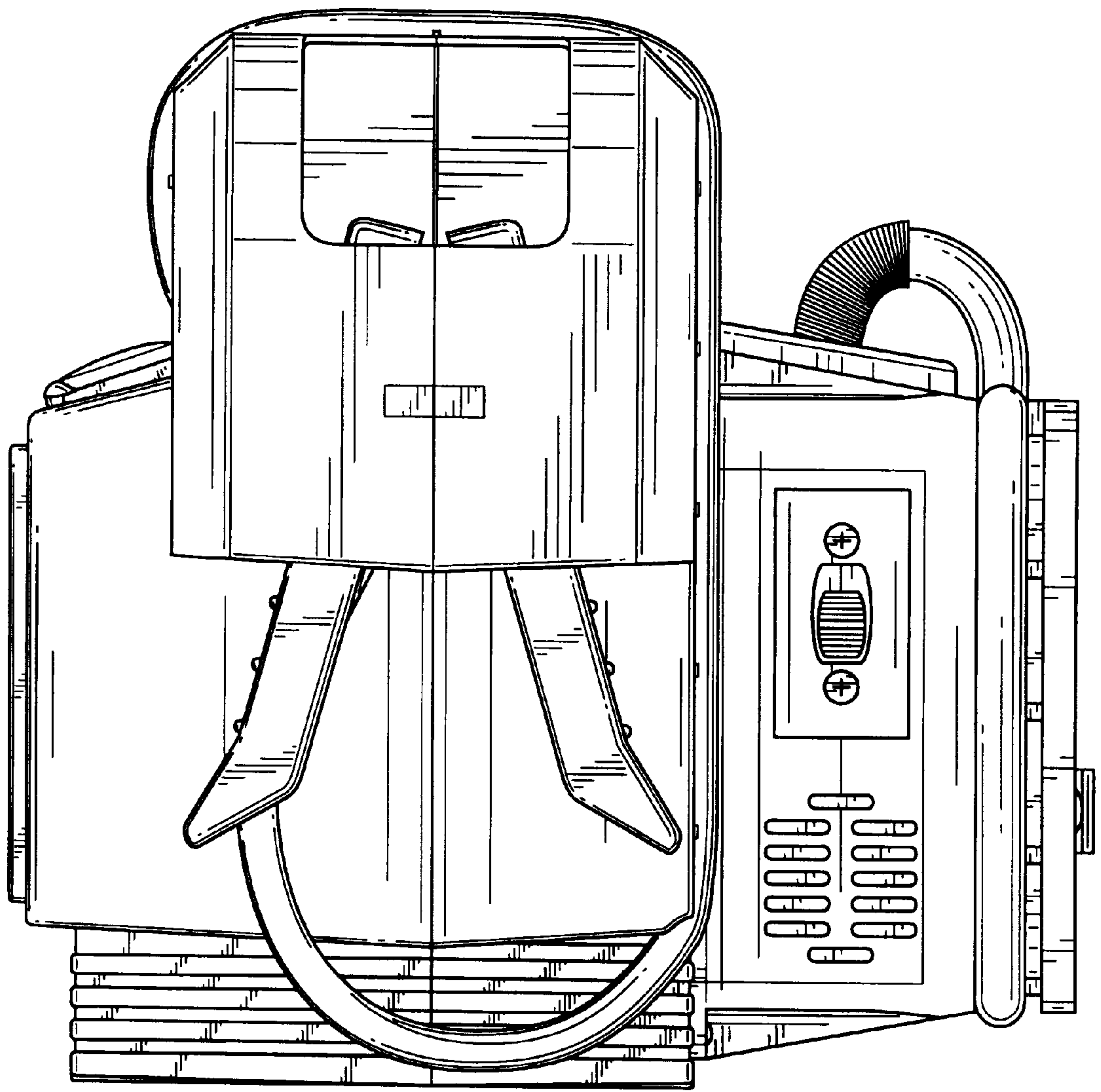


FIG. 6

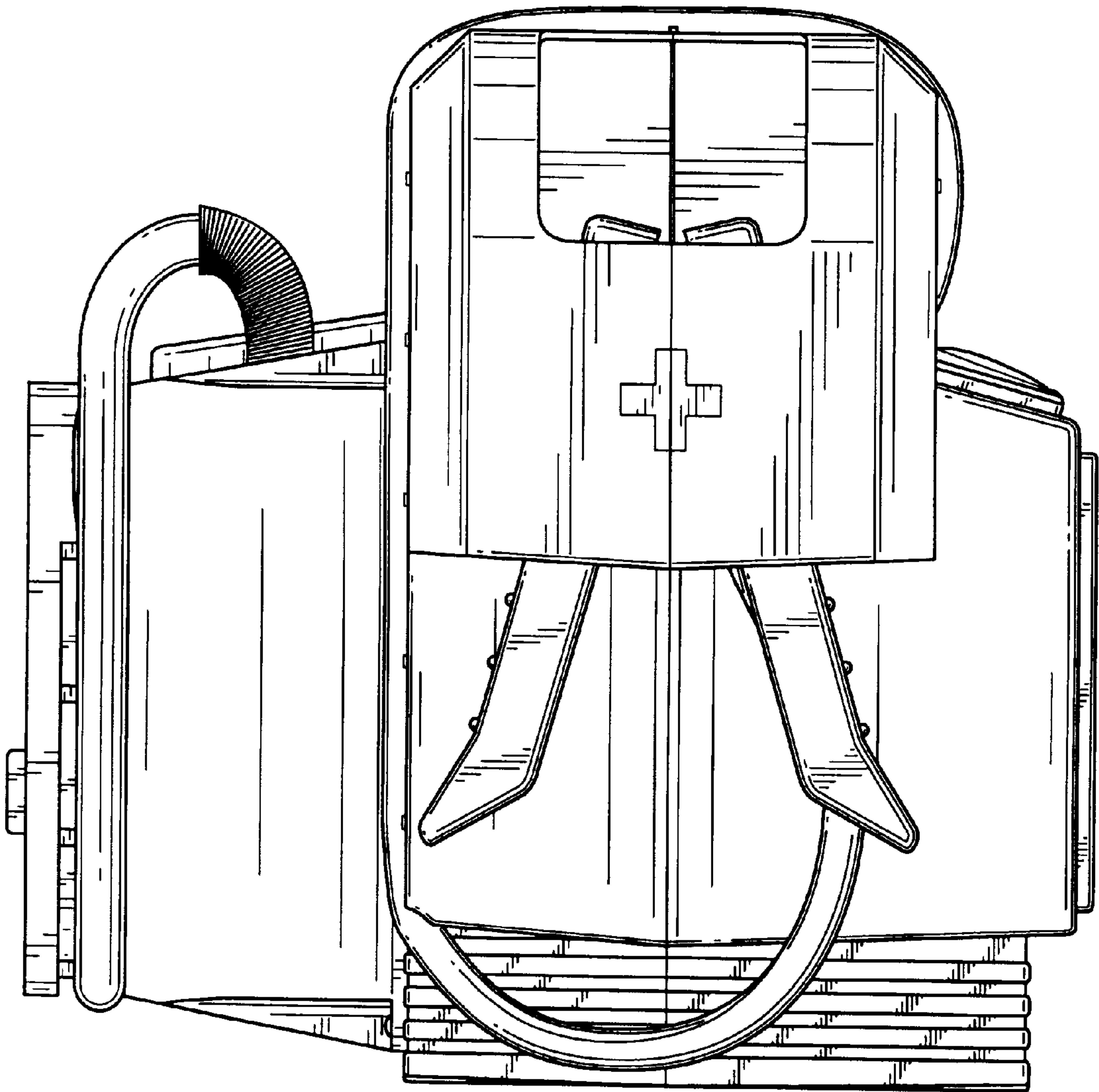


FIG. 7