



US00D464932S

(12) **United States Design Patent**  
**Hanya**

(10) **Patent No.:** **US D464,932 S**

(45) **Date of Patent:** **\*\* Oct. 29, 2002**

(54) **TIRE TREAD**

(75) Inventor: **Masahiro Hanya**, Kobe (JP)

(73) Assignee: **The Goodyear Tire & Rubber Company**, Akron, OH (US)

(\*\*) Term: **14 Years**

(21) Appl. No.: **29/151,916**

(22) Filed: **Dec. 11, 2001**

(30) **Foreign Application Priority Data**

Jul. 3, 2001 (JP) ..... 3010042

(51) **LOC (7) Cl.** ..... **12-15**

(52) **U.S. Cl.** ..... **D12/550**

(58) **Field of Search** ..... D12/544, 546, 547, 549, 551, 553, 554, 555, 558, 559, 560, 561, 562, 563, 564, 565, 566, 567, 579, 586, 588, 589, 590, 591, 595, 603; 152/209.1, 209.12, 209.13, 209.26, 209.27, 209.28

(56) **References Cited**

**PUBLICATIONS**

Avon CR228D Tire, 2000Tread Design Guide, Jan. 2000, p. 14. 3/1.\*

Bridgestone Expedia S-01 Tire, 2000Tread Design Guide, Jan. 2000, p. 16. 4/1.\*

Hankook Ventus Plus 405 Tire, 2000Tread Design Guide, Jan. 2000, p. 37. 2/4.\*

Nitto NT-460 Premium Touring Tire, 2000Tread Design Guide, Jan. 2000, p. 52. 4/2.\*

Goodyear Eagle F1 Steel Tire. Goodyear Ultra Performance Brochure #186600, Jan. 2000.\*

\* cited by examiner

*Primary Examiner*—Robert M. Spear

(74) *Attorney, Agent, or Firm*—David L. King

(57) **CLAIM**

The ornamental Design for a tire tread, as shown and described.

**DESCRIPTION**

FIG. 1 is a perspective view of a tire tread showing our new design, it being understood that the pattern repeats uniformly throughout the circumference of the tread;

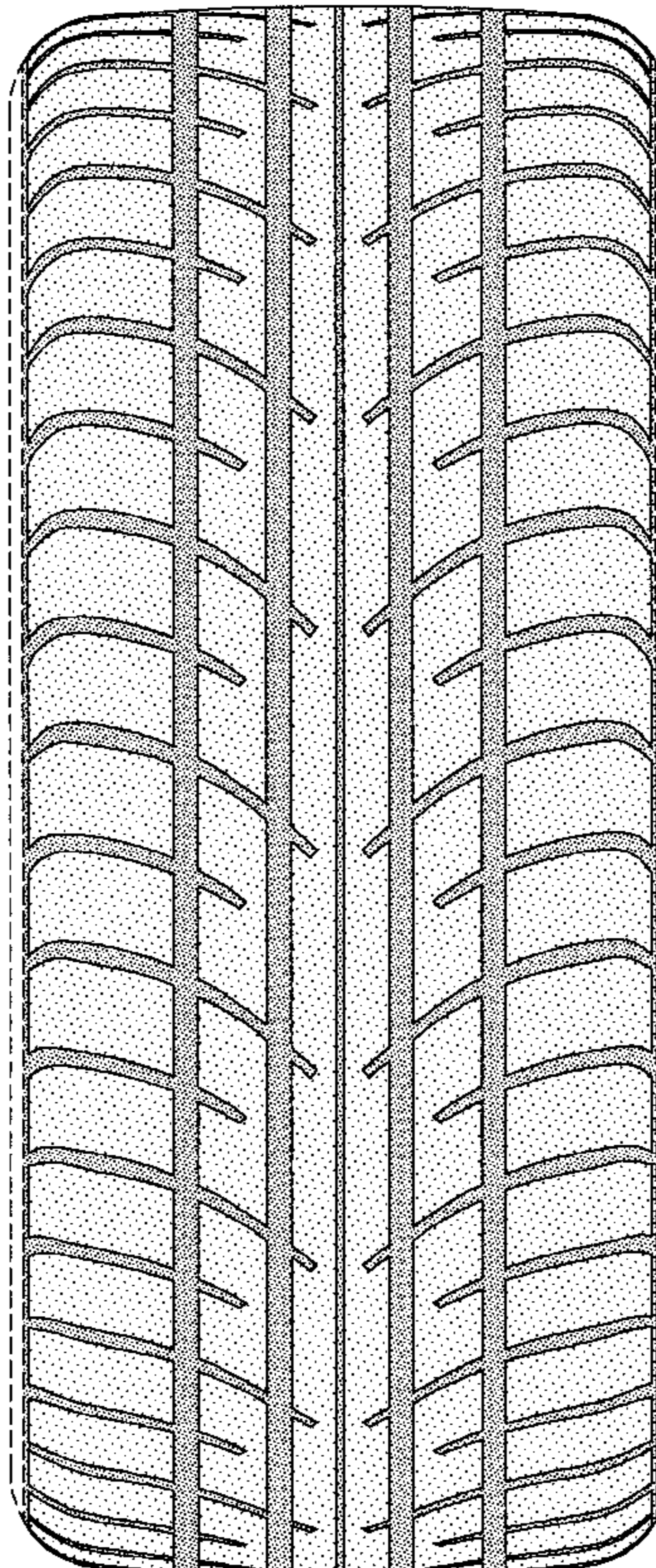
FIG. 2 is a front elevational view thereof;

FIG. 3 is a right side elevational view thereof, the other side being a mirror image of the right side thereof; and,

FIG. 4 is an enlarged fragmentary frontal view.

In the drawings, the broken lines defining the sidewall and inner bead and the peripheral boundary between the tire tread and the sidewall are for illustrative purposes only and form no part of the claimed design.

**1 Claim, 4 Drawing Sheets**



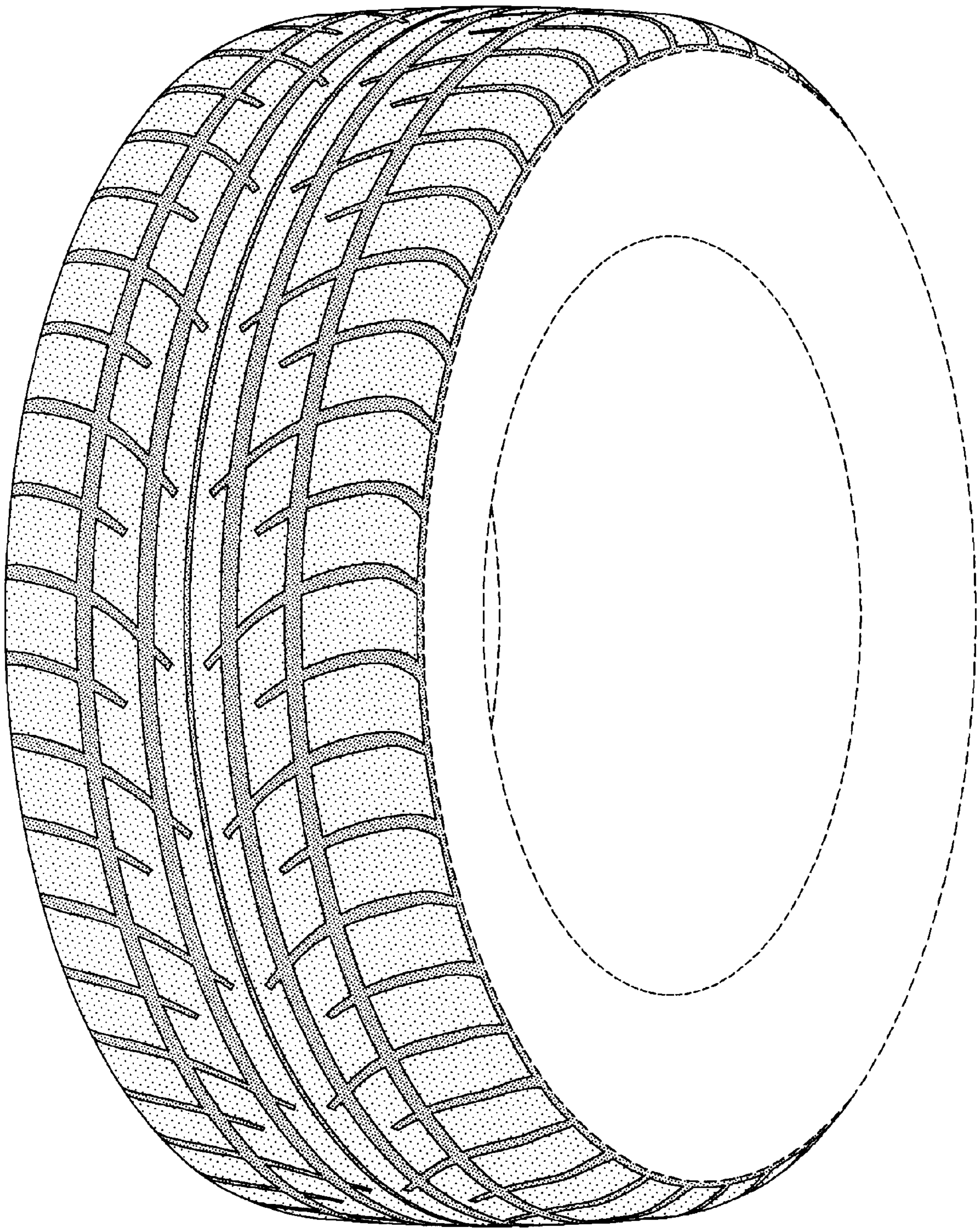


FIG-1

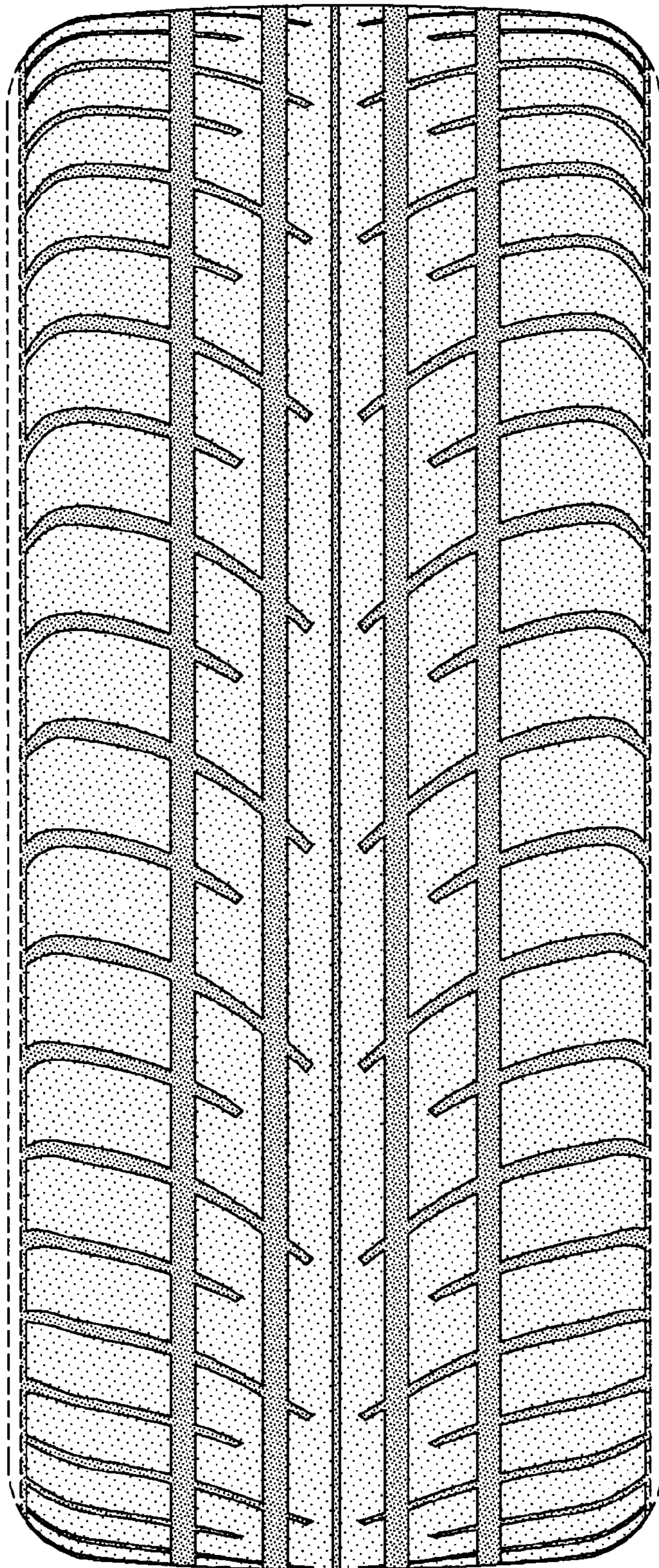


FIG-2

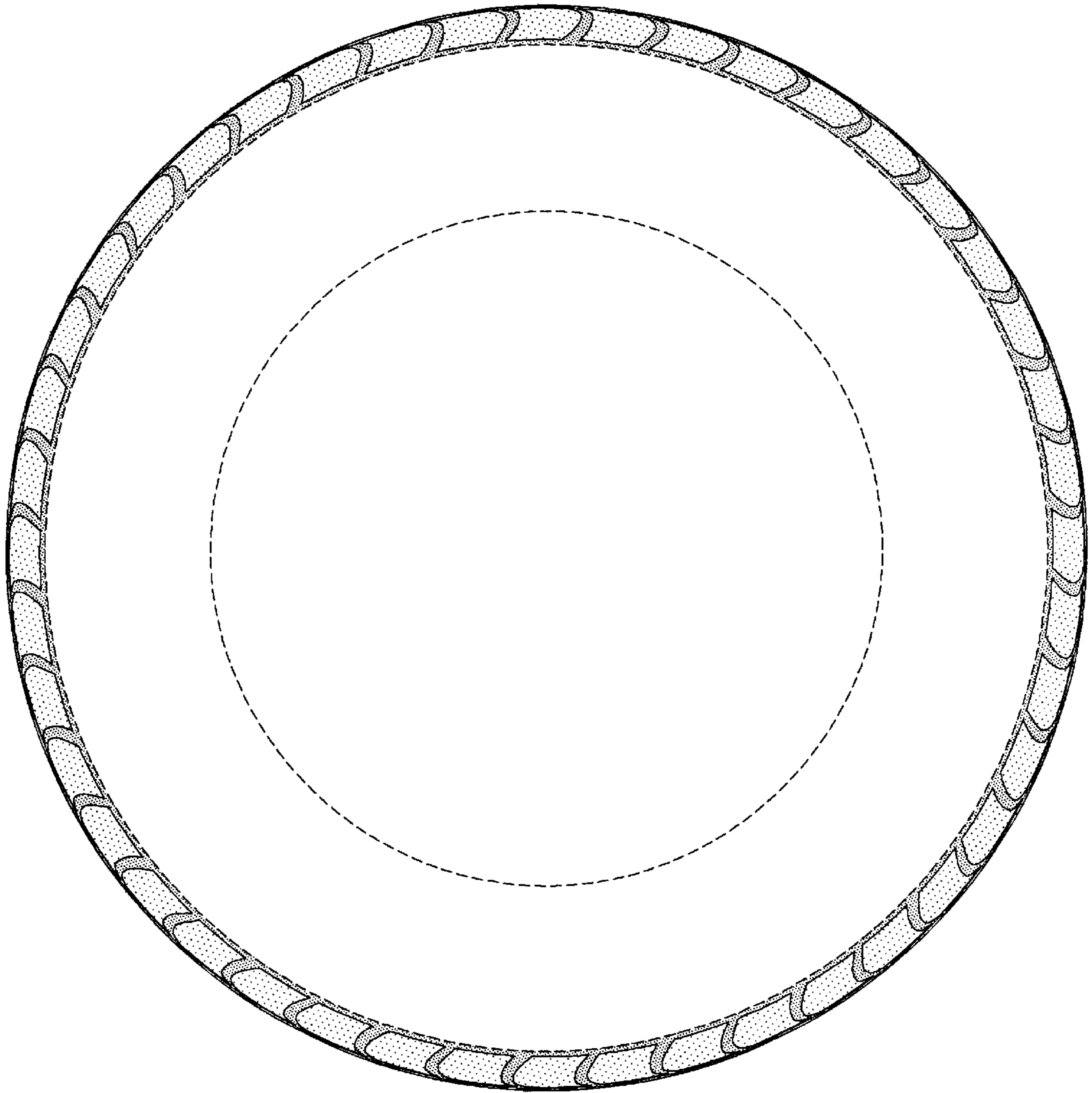


FIG-3

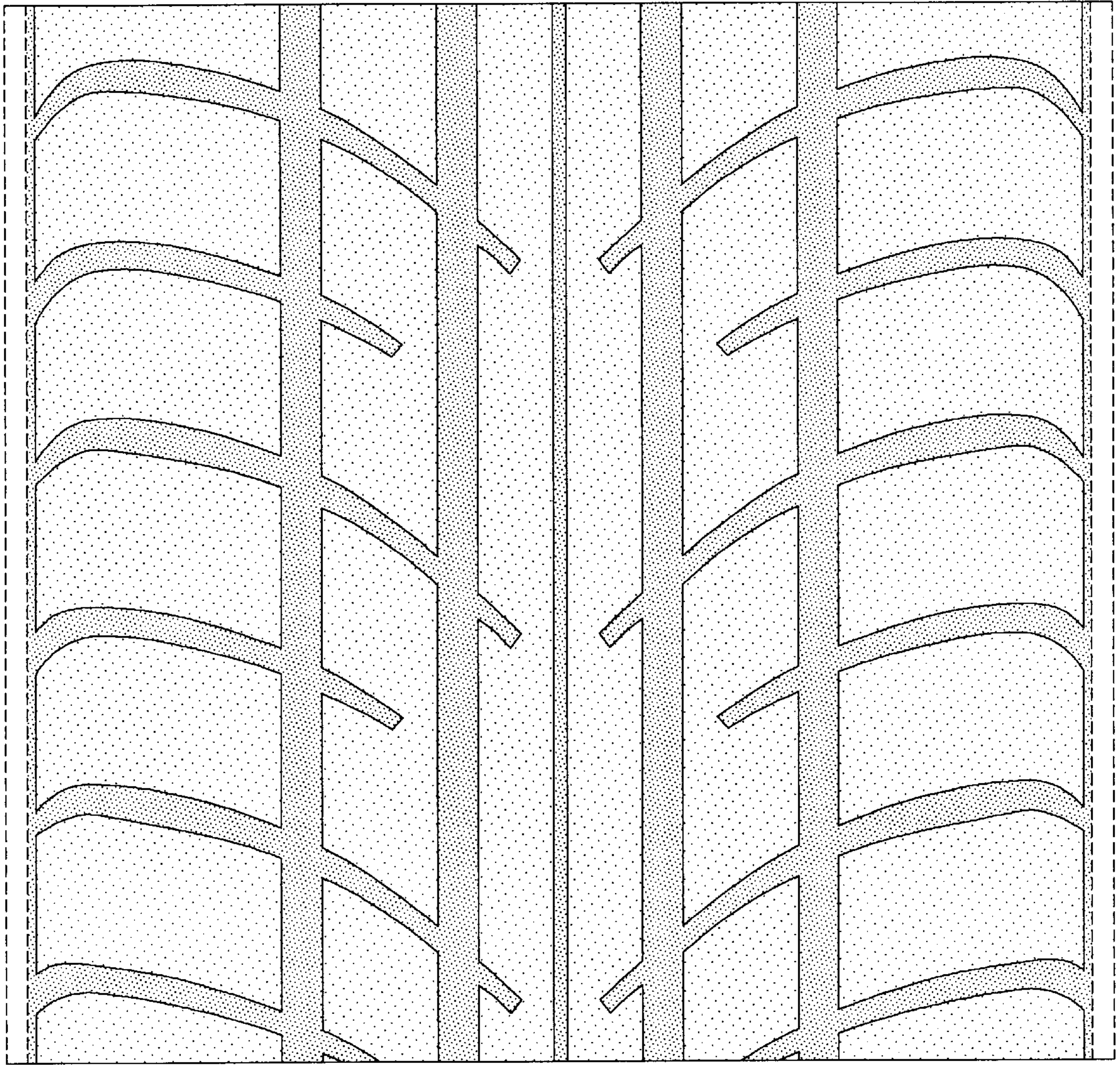


FIG-4