



US00D464931S

(12) **United States Design Patent**  
**Slingluff et al.**

(10) **Patent No.: US D464,931 S**

(45) **Date of Patent: \*\* Oct. 29, 2002**

(54) **TIRE TREAD**

(75) Inventors: **Mark David Slingluff**, North Canton, OH (US); **Charles Kenneth Schmalix**, Canal Fulton, OH (US)

(73) Assignee: **The Goodyear Tire & Rubber Company**, Akron, OH (US)

(\*\*) Term: **14 Years**

(21) Appl. No.: **29/133,394**

(22) Filed: **Nov. 29, 2000**

(51) **LOC (7) Cl.** ..... **12-15**

(52) **U.S. Cl.** ..... **D12/521**

(58) **Field of Search** ..... D12/134-152;  
152/209.1, 209.3, 209.8, 209.9, 209.11,  
455, 456, 902, 903, 904

(56) **References Cited**

**U.S. PATENT DOCUMENTS**

D292,787 S	11/1987	Kadomaru	.....	D12/147
D328,267 S	7/1992	Constant	.....	D12/146
D328,268 S	7/1992	Constant	.....	D12/146
D329,033 S	9/1992	Maxwell	.....	D12/147
D336,874 S	6/1993	Montag et al.	.....	D12/147
D340,212 S	10/1993	Montag et al.	.....	D12/147
5,291,929 A	3/1994	Daisho et al.	.....	152/209 R
D349,873 S	8/1994	Shibata et al.	.....	D12/141
D369,764 S	5/1996	Himuro et al.	.....	D12/147
D382,522 S	8/1997	Ratliff, Jr.	.....	D12/147
D383,103 S	9/1997	Ratliff, Jr.	.....	D12/147
D383,714 S	9/1997	Graas et al.	.....	D12/146

D384,922 S	10/1997	Ratliff, Jr.	.....	D12/147
5,707,461 A	1/1998	Himuro	.....	152/209 R
D392,226 S	3/1998	Howald et al.	.....	D12/141
D403,996 S	1/1999	Espinasse et al.	.....	D12/147
D410,601 S	6/1999	Murata et al.	.....	D12/147
D412,472 S	8/1999	Brown et al.	.....	D12/146
6,021,830 A	2/2000	Iwamura	.....	152/209 R

**OTHER PUBLICATIONS**

Goodyear Conquest GL Tire, 1999 Tread Design Guide, Jan. 1999, p. 35. 3/2.\*

\* cited by examiner

*Primary Examiner*—Robert M. Spear

(74) *Attorney, Agent, or Firm*—David E. Wheeler

(57) **CLAIM**

The ornamental Design for a tire tread, as shown and described.

**DESCRIPTION**

FIG. 1 is a perspective view of a tire tread showing our new design, it being understood that the pattern repeats uniformly throughout the circumference of the tread;

FIG. 2 is a front elevational view thereof;

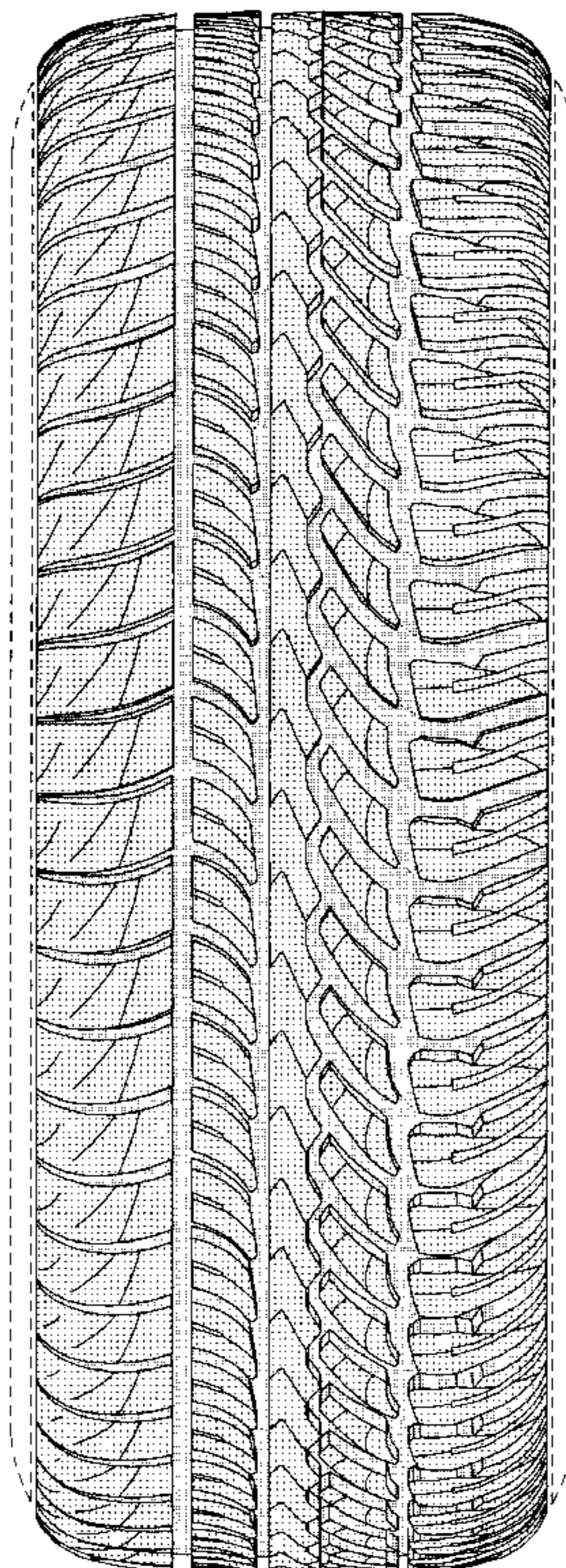
FIG. 3 is a side elevational view thereof;

FIG. 4 is the opposite side elevational view being thereof; and,

FIG. 5 is an enlarged fragmentary perspective view.

In the drawings, the broken lines defining the inner bead and the sidewall are for illustrative purposes only and form no part of the claimed design.

**1 Claim, 5 Drawing Sheets**



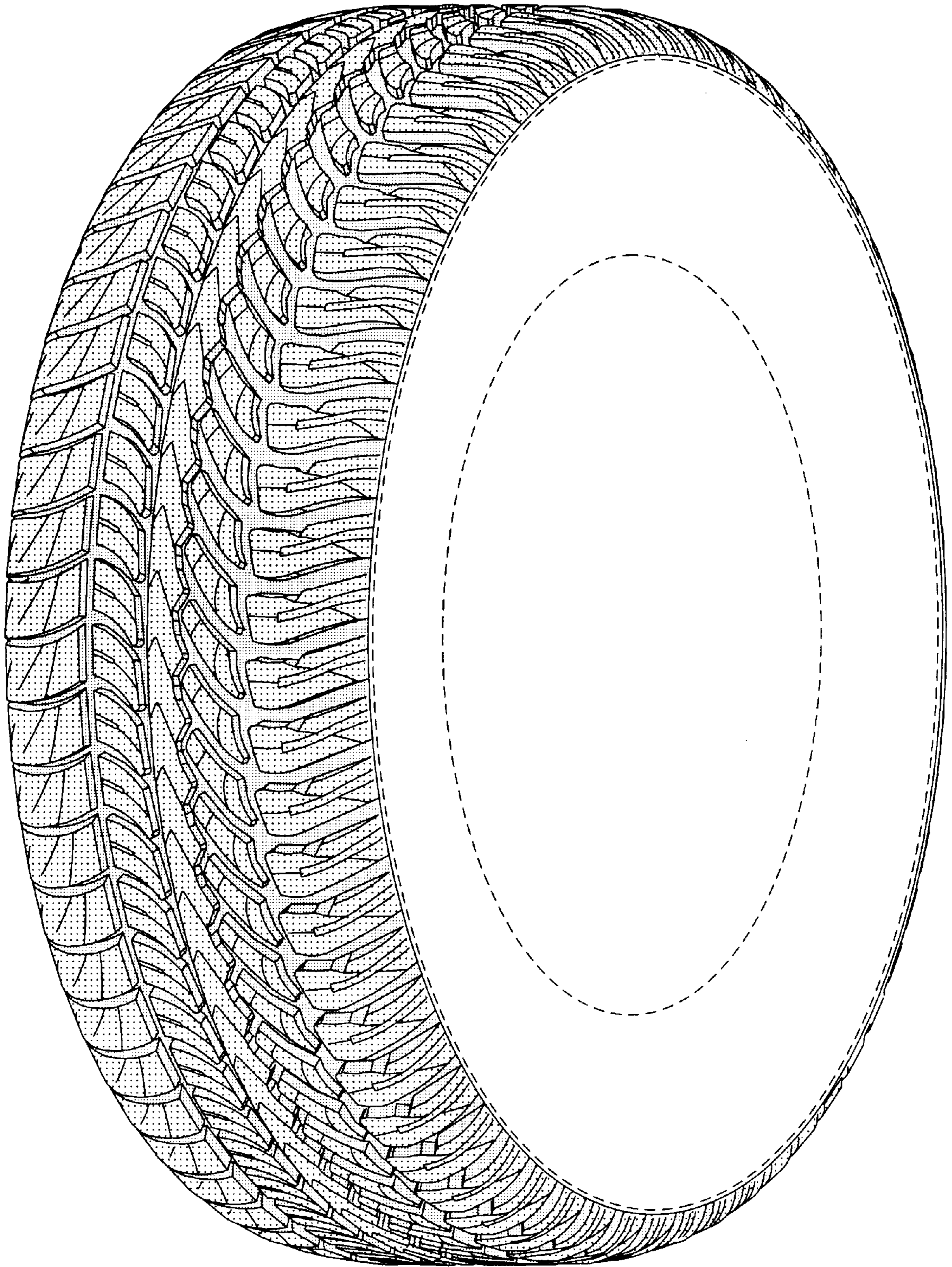


Figure 1

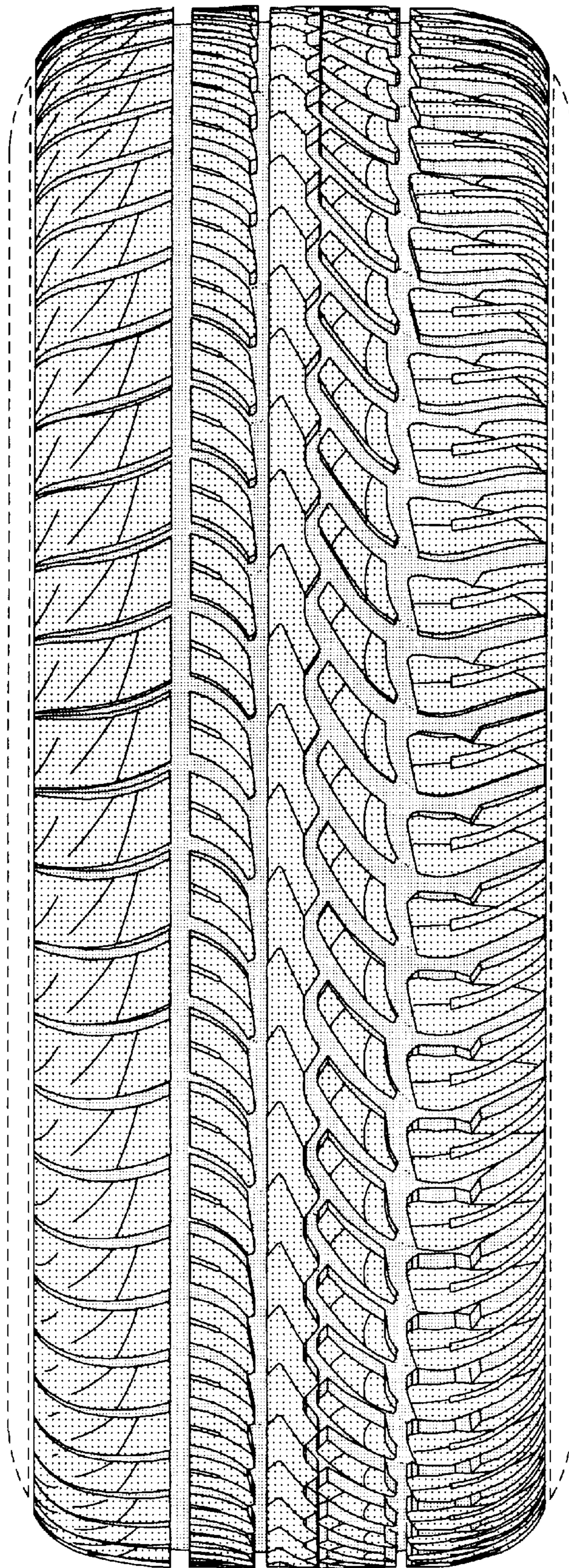


Figure 2

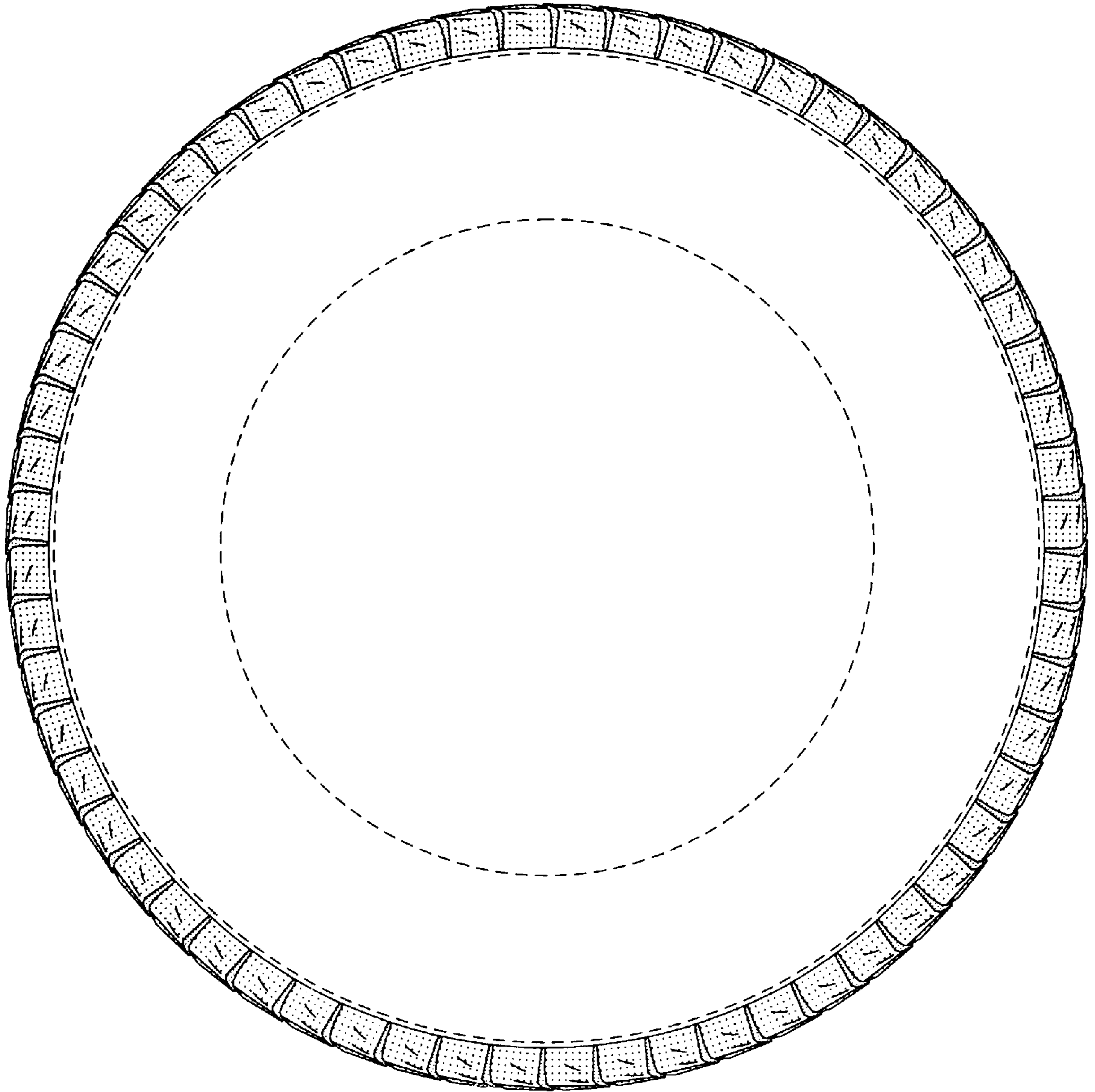


Figure 3

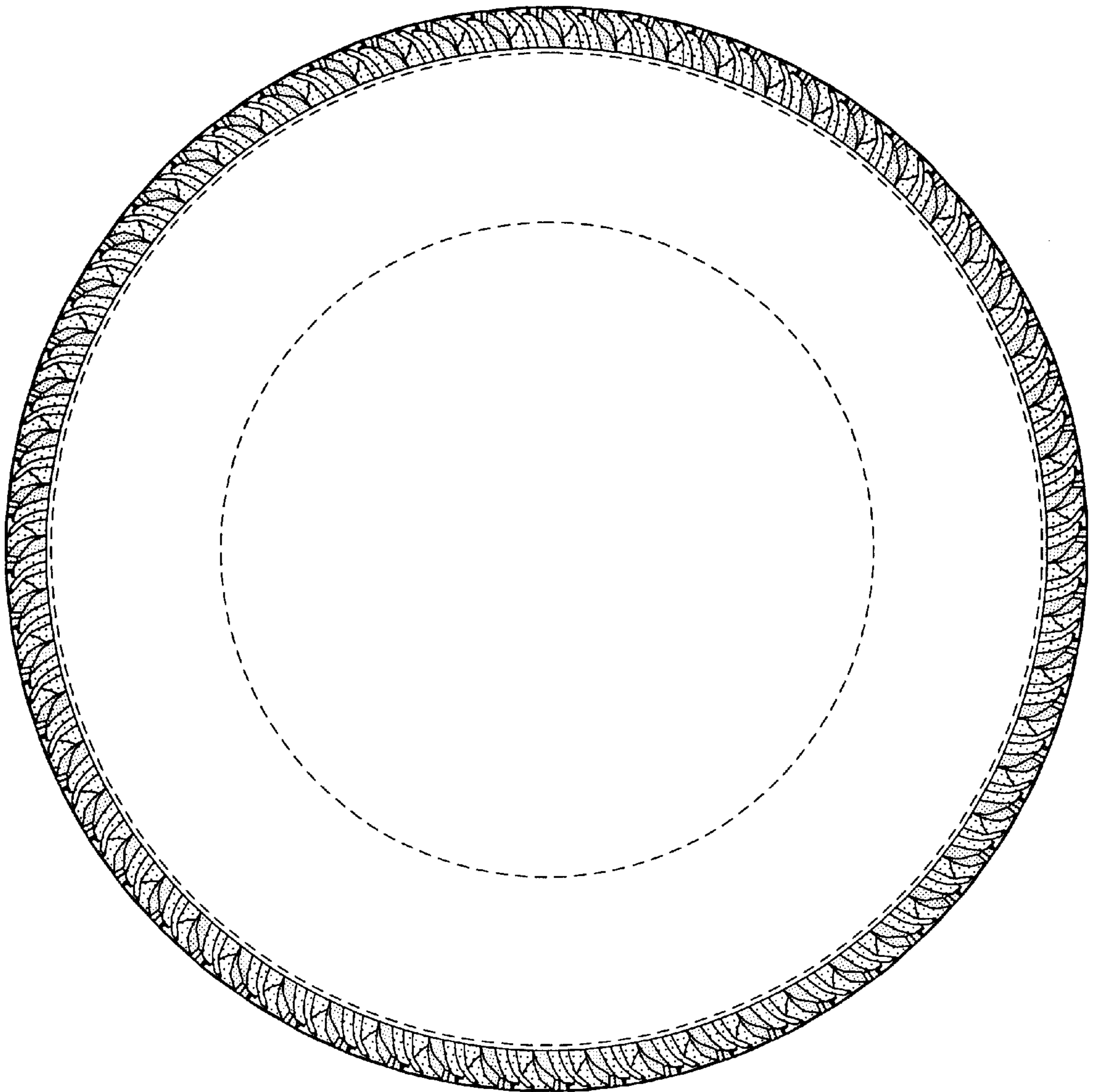


Figure 4

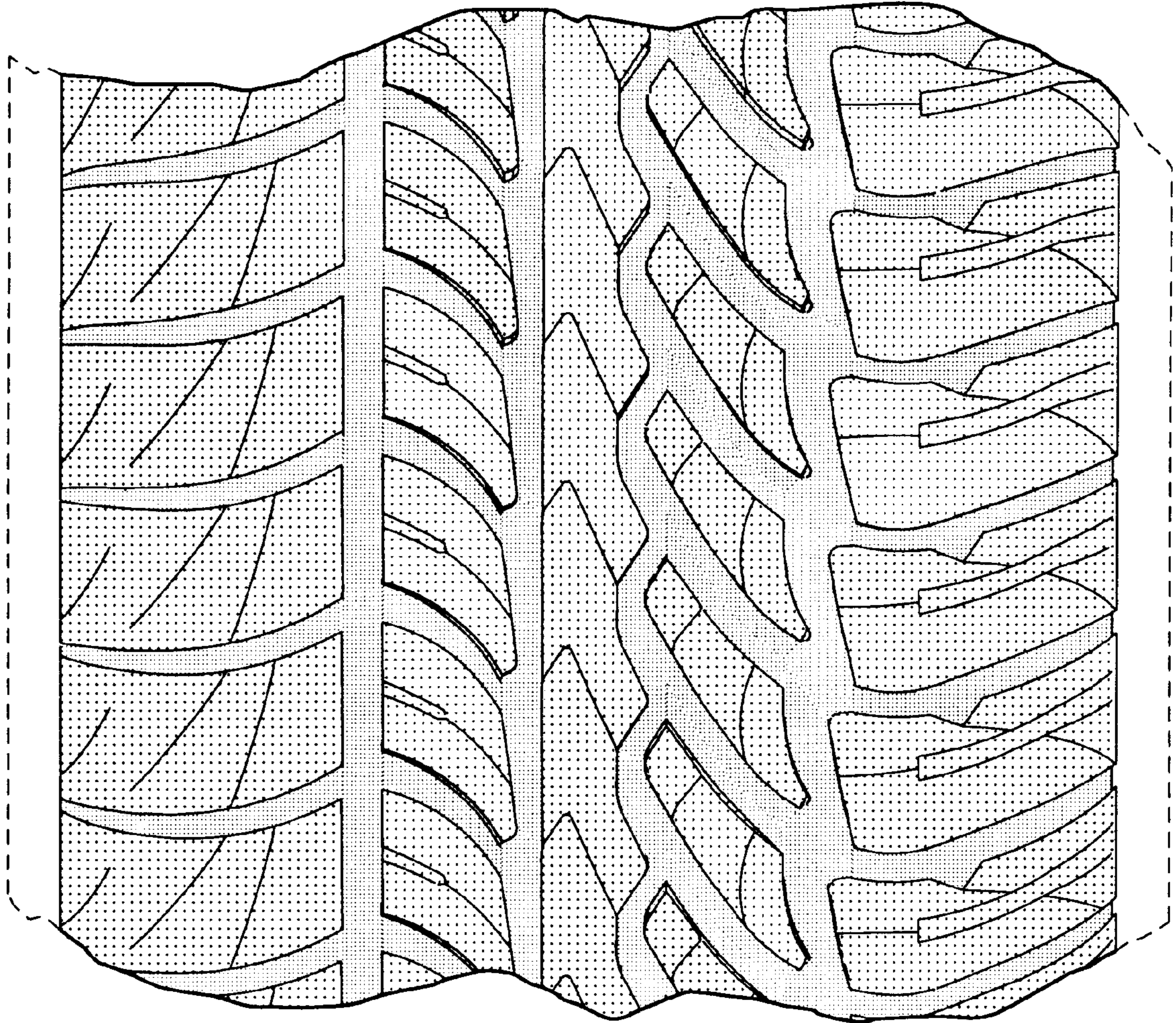


Figure 5