



US00D464928S

(12) **United States Design Patent**
Bucaccio et al.

(10) **Patent No.:** **US D464,928 S**

(45) **Date of Patent:** **** Oct. 29, 2002**

(54) **PEDESTAL PORTION OF A PERSONAL WATERCRAFT**

(75) Inventors: **Tom Bucaccio**, Grant, FL (US); **Jason Baldas**, Warren, MI (US); **Shannon Cassell**, Palm Bay, FL (US); **Kirk Agüero**, Indialantic, FL (US)

(73) Assignee: **Bombardier Inc.**, Valcourt (CA)

(**) Term: **14 Years**

(21) Appl. No.: **29/152,673**

(22) Filed: **Dec. 28, 2001**

Related U.S. Application Data

(62) Division of application No. 29/128,818, filed on Sep. 1, 2000.

(51) **LOC (7) Cl.** **12-06**

(52) **U.S. Cl.** **D12/307**

(58) **Field of Search** D12/300-317;
114/55.5, 55.54, 55.57

(56) **References Cited**

U.S. PATENT DOCUMENTS

D325,556 S	*	4/1992	LaPointe	D12/307
D340,221 S	*	10/1993	Krieger et al.	D12/307
D343,360 S	*	1/1994	LaPointe	D12/307
D399,182 S	*	10/1998	LaPointe et al.	D12/307

OTHER PUBLICATIONS

Bombardier Sea-Doo 1999, Product Brochure, Everybody's Doin'it.

* cited by examiner

Primary Examiner—Lisa Lichtenstein

(74) *Attorney, Agent, or Firm*—Pillsbury Winthrop LLP

(57) **CLAIM**

The ornamental design for a pedestal portion of a personal watercraft, as shown and described.

DESCRIPTION

FIG. 1 is an elevated stern view of a pedestal portion of a personal watercraft showing our new design;

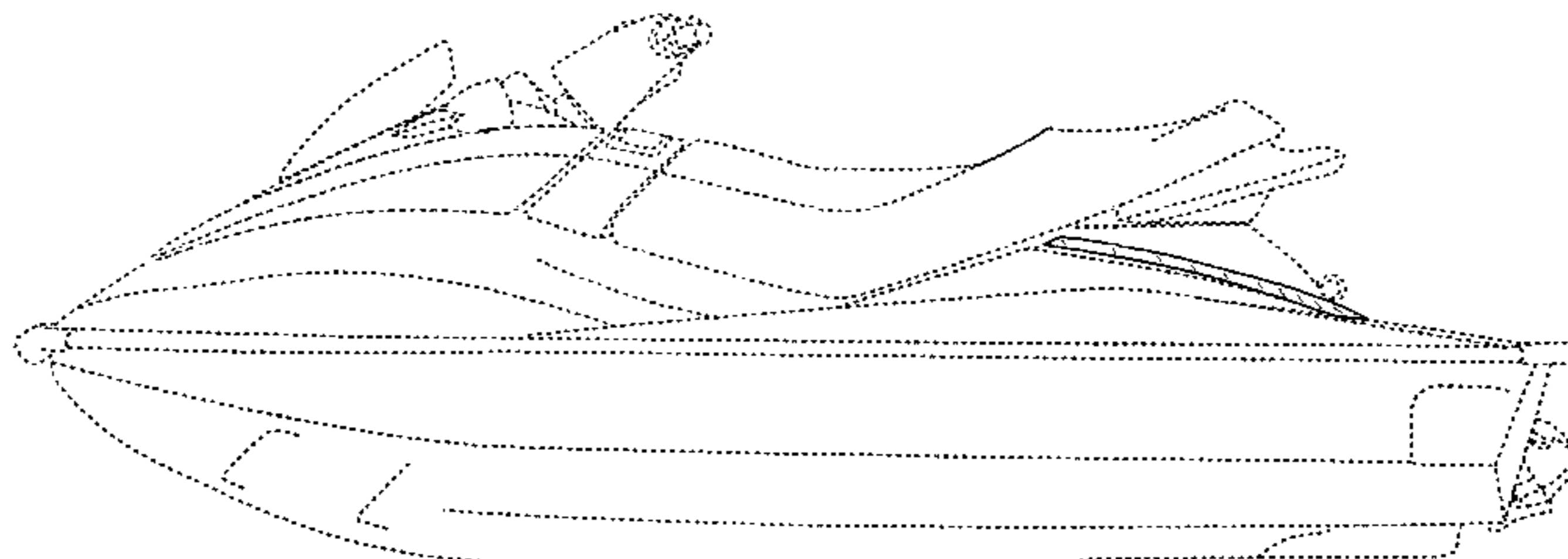
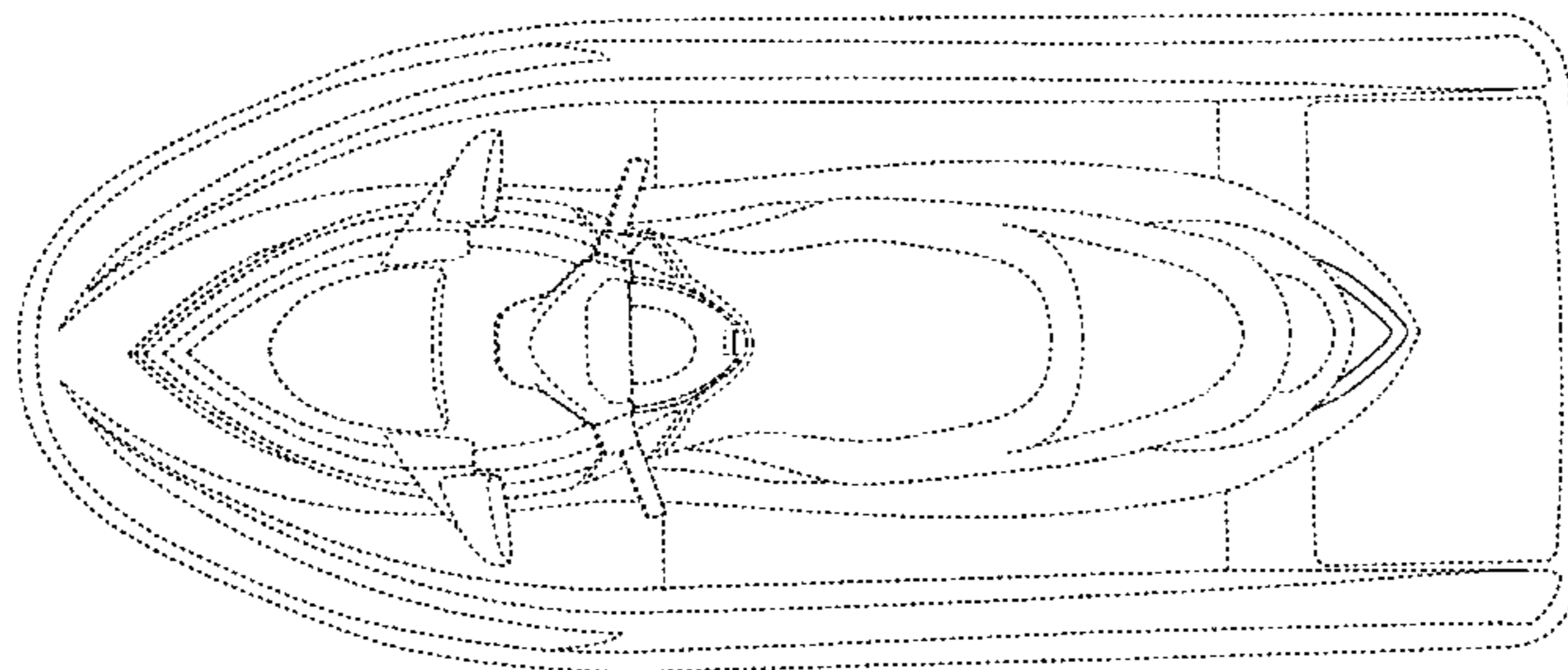
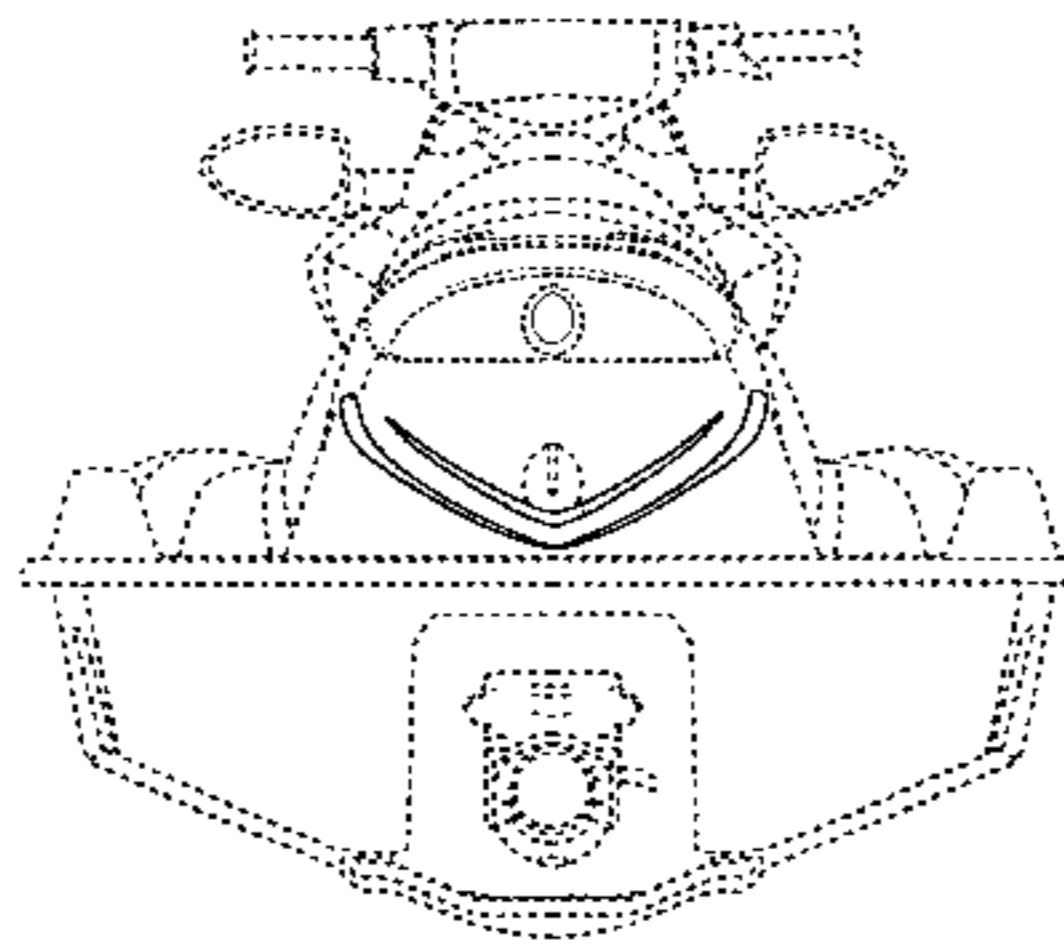
FIG. 2 is a top plan view of the pedestal portion of the personal watercraft of FIG. 1; and,

FIG. 3 is an elevated side view of the pedestal portion of the personal watercraft of FIG. 1 taken from the port side thereof, the starboard side being a mirror image thereof.

Throughout the various figures of the drawings, certain views are not provided. The omission of a particular view is intended to convey that the element(s) depicted is/are plain and unornamented in that omitted view.

The broken line showing of environmental structure in FIGS. 1-3 is for illustrative purposes only and forms no part of the claimed design.

1 Claim, 3 Drawing Sheets



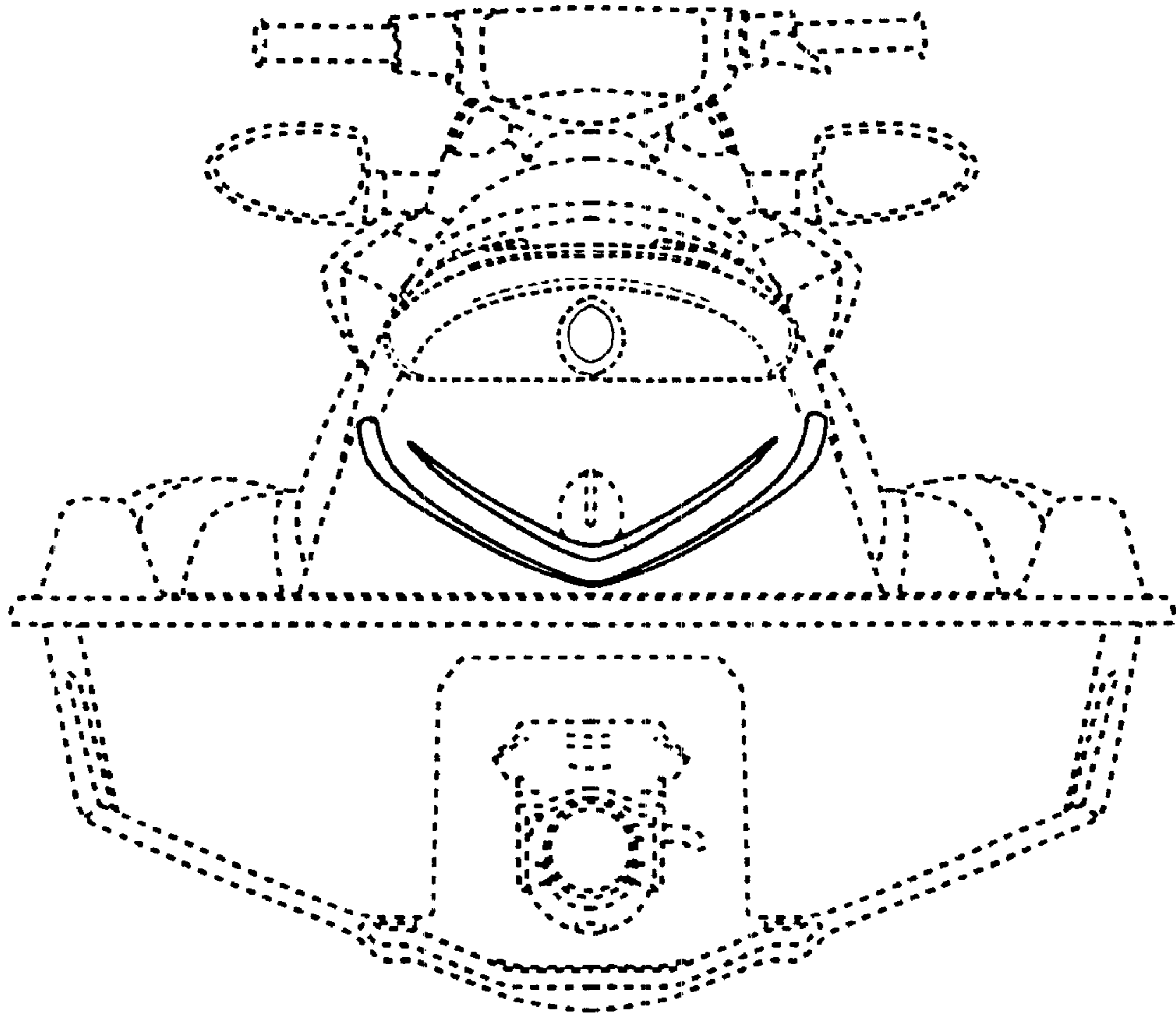


FIG. 1

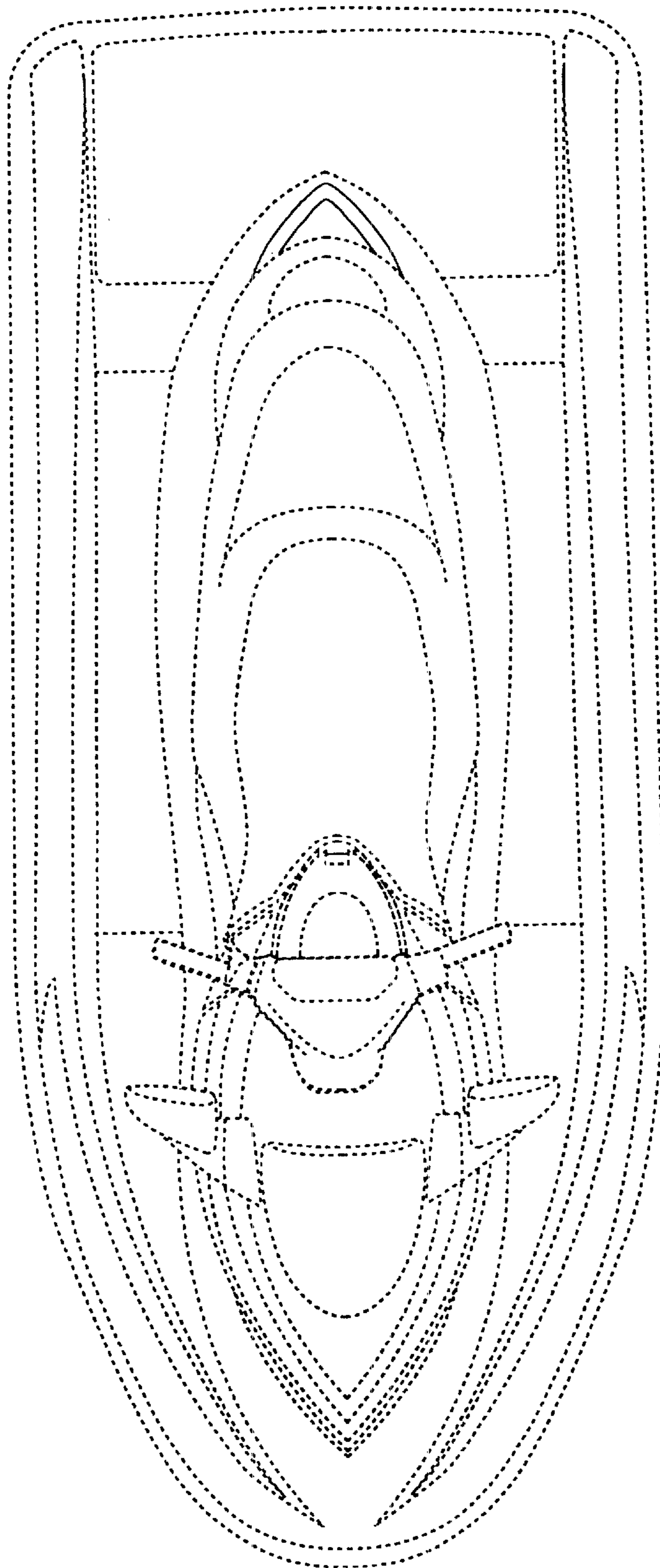


FIG. 2

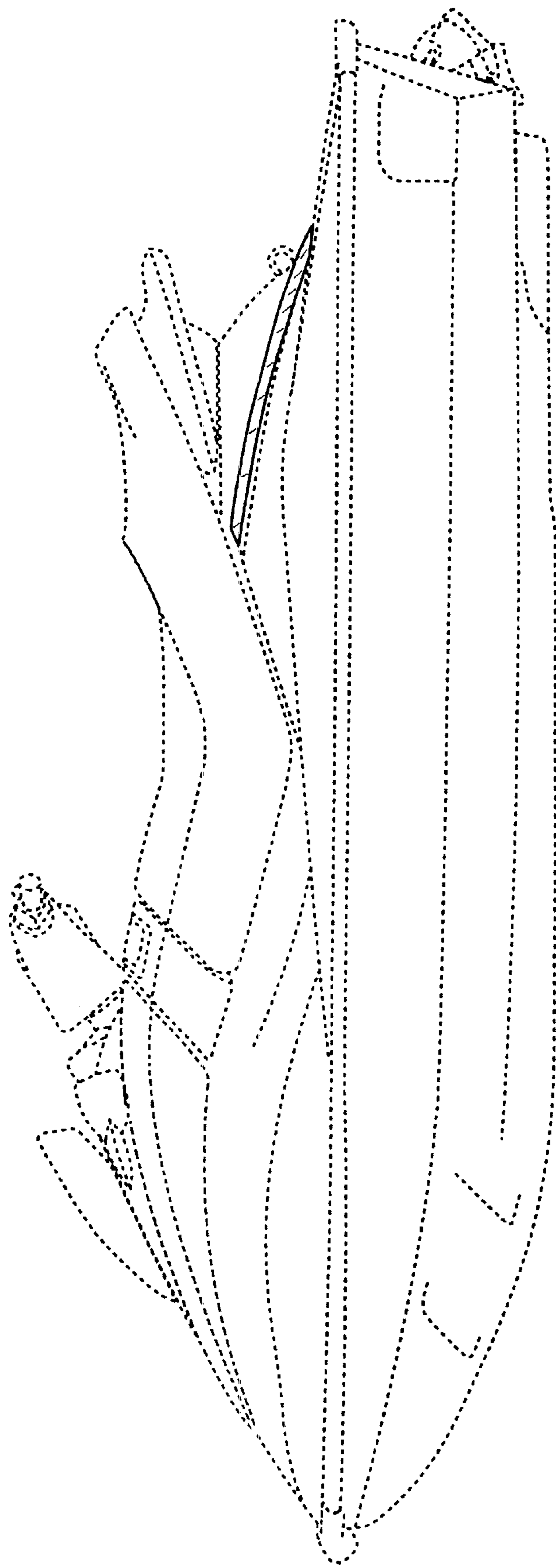


FIG. 3