



US00D464925S

(12) **United States Design Patent**
Bassani Antivari

(10) **Patent No.:** **US D464,925 S**

(45) **Date of Patent:** **** Oct. 29, 2002**

(54) **BOAT**

(75) Inventor: **Luca Bassani Antivari**, Curaçao (AN)

(73) Assignee: **Wally Yachts N.V.**, Curacao (AN)

(**) Term: **14 Years**

(21) Appl. No.: **29/154,700**

(22) Filed: **Jan. 30, 2002**

(51) **LOC (7) Cl.** **12-06**

(52) **U.S. Cl.** **D12/300**

(58) **Field of Search** **D12/300-318;**
114/343, 363, 355

(56) **References Cited**

U.S. PATENT DOCUMENTS

5,619,949 A *	4/1997	Dick, Jr.	114/363
D427,136 S *	6/2000	Roy et al.	D12/300
D430,098 S *	8/2000	Vuckovis	D12/300

* cited by examiner

Primary Examiner—Lisa Lichtenstein

(74) *Attorney, Agent, or Firm*—Fitzpatrick, Cella, Harper & Scinto

(57) **CLAIM**

The ornamental design for a boat, as shown and described.

DESCRIPTION

FIG. 1 is a perspective view showing the top, front and left side of a boat embodying the new design;

FIG. 2 is a perspective view showing the top, rear and left side of the boat of FIG. 1;

FIG. 3 is an elevational view of the right side of the boat shown in FIG. 1;

FIG. 4 is an elevational view of the left side of the boat shown in FIG. 1;

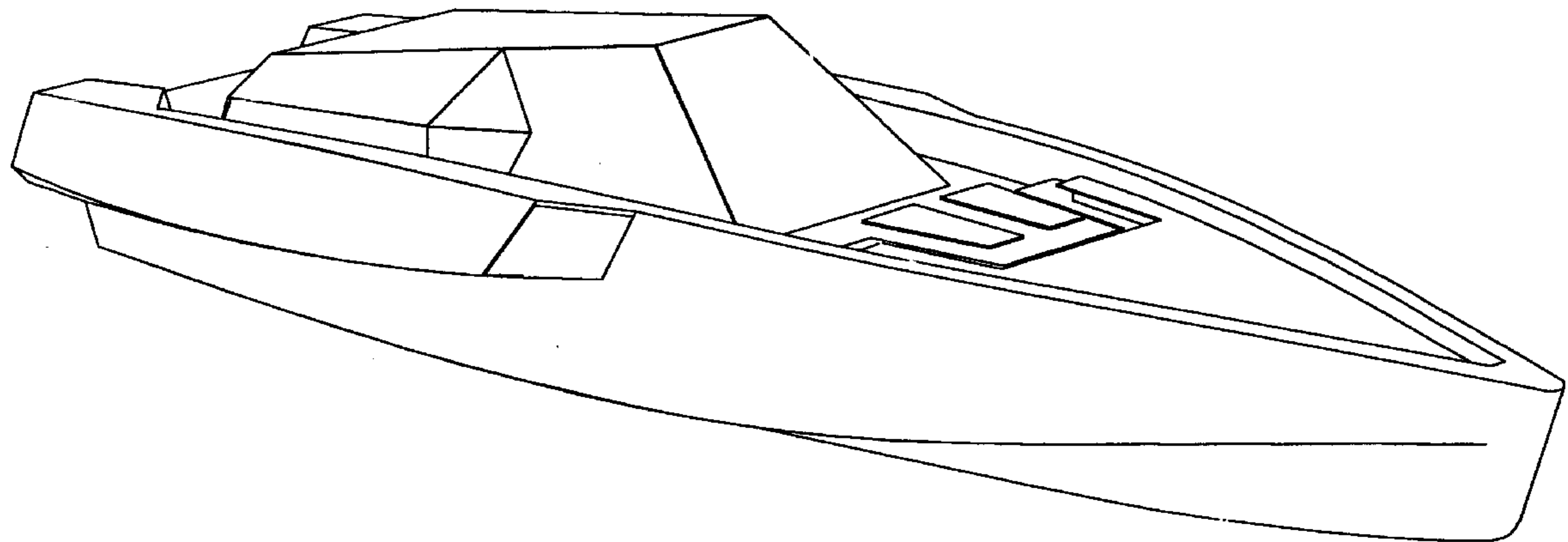
FIG. 5 is a top view of the boat shown in FIG. 1;

FIG. 6, is a bottom view of the boat shown in FIG. 1;

FIG. 7 is a rear elevational view of the boat shown in FIG. 1; and,

FIG. 8 is a front elevational view of the boat shown in FIG. 1.

1 Claim, 8 Drawing Sheets



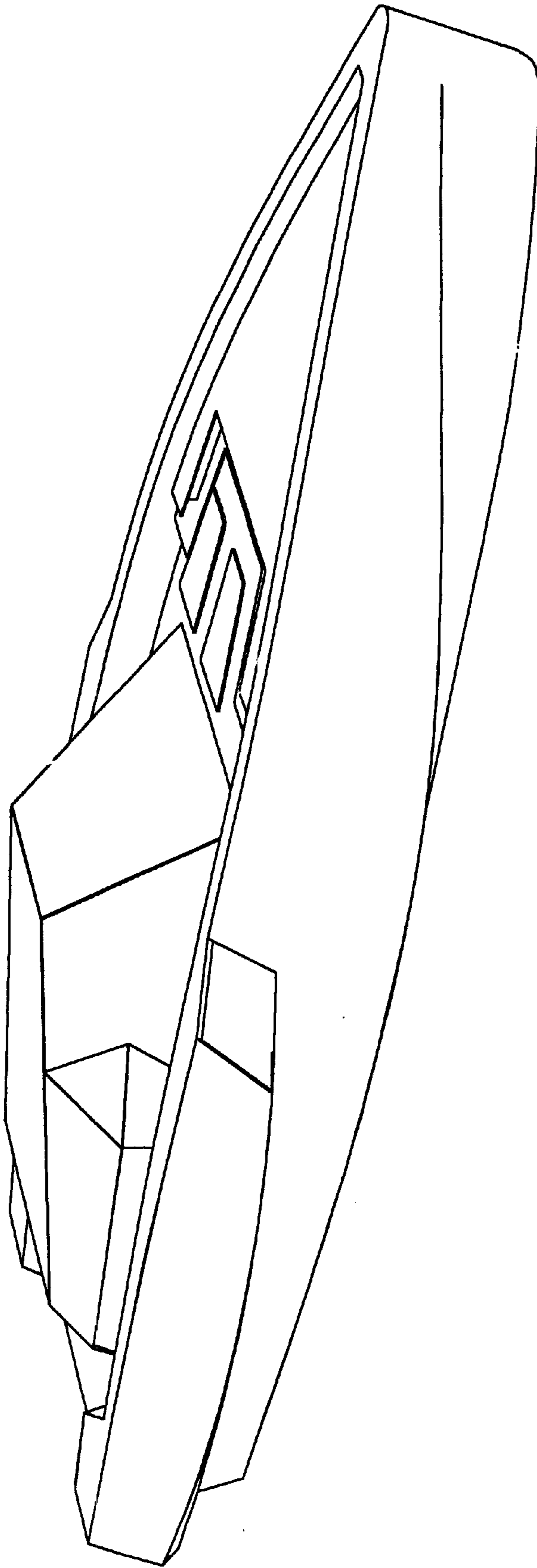


Fig. 1

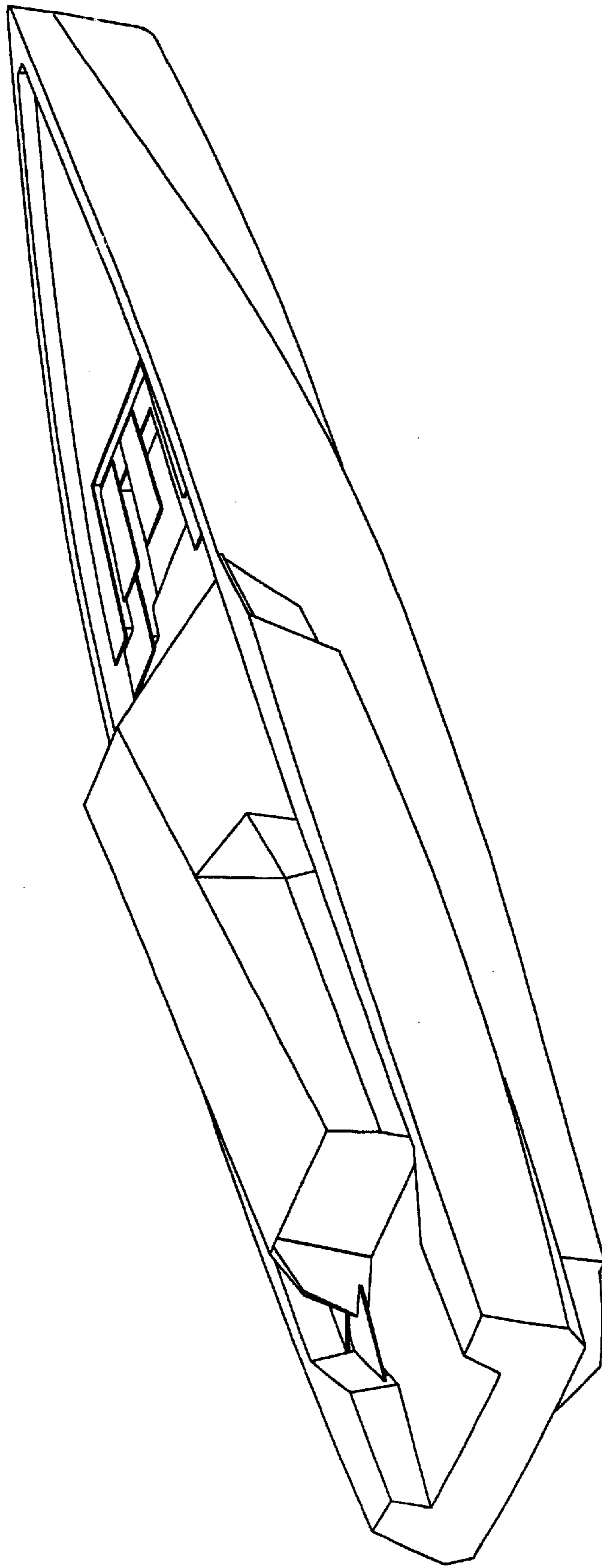


Fig. 2

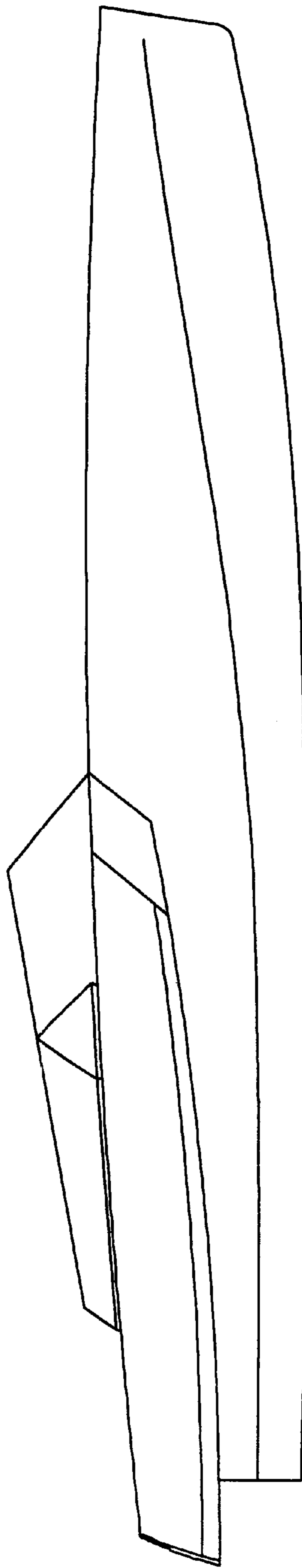


Fig. 3

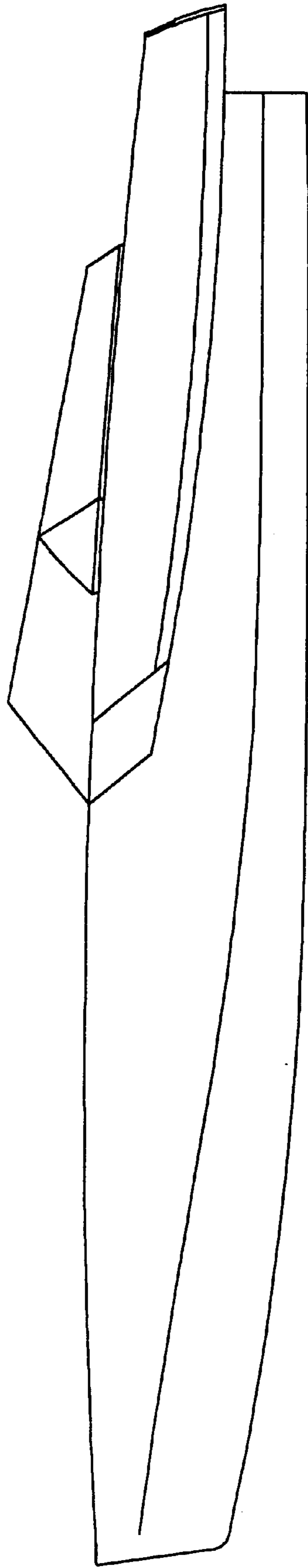


Fig. 4

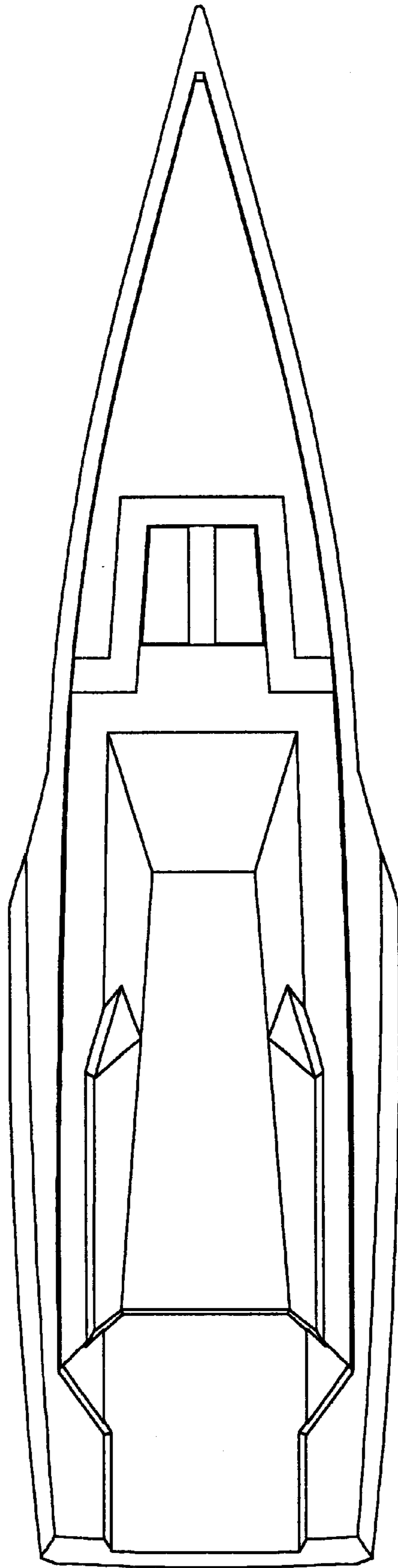


Fig. 5

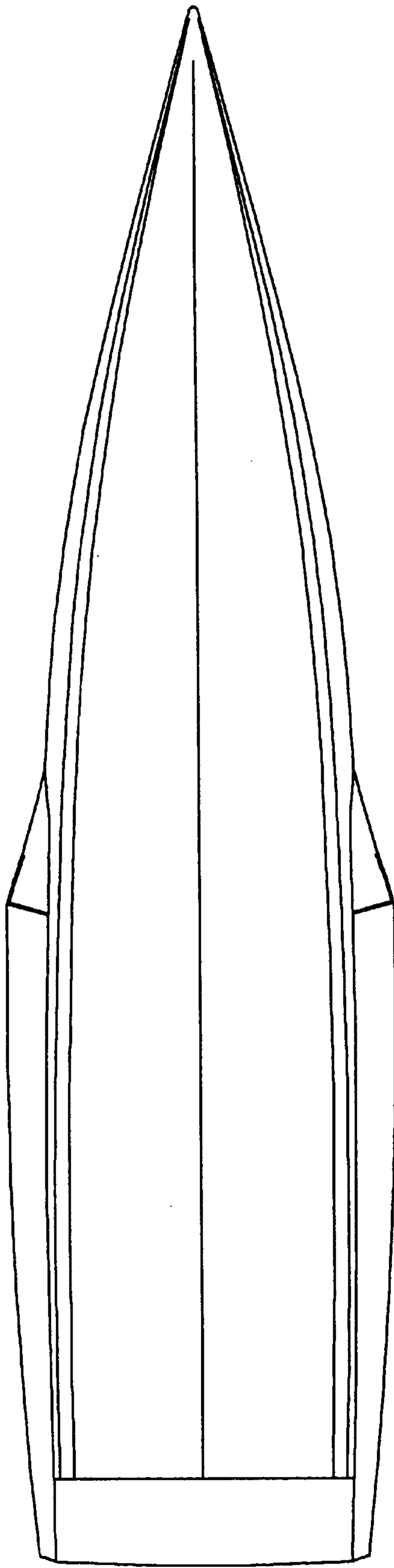


Fig. 6

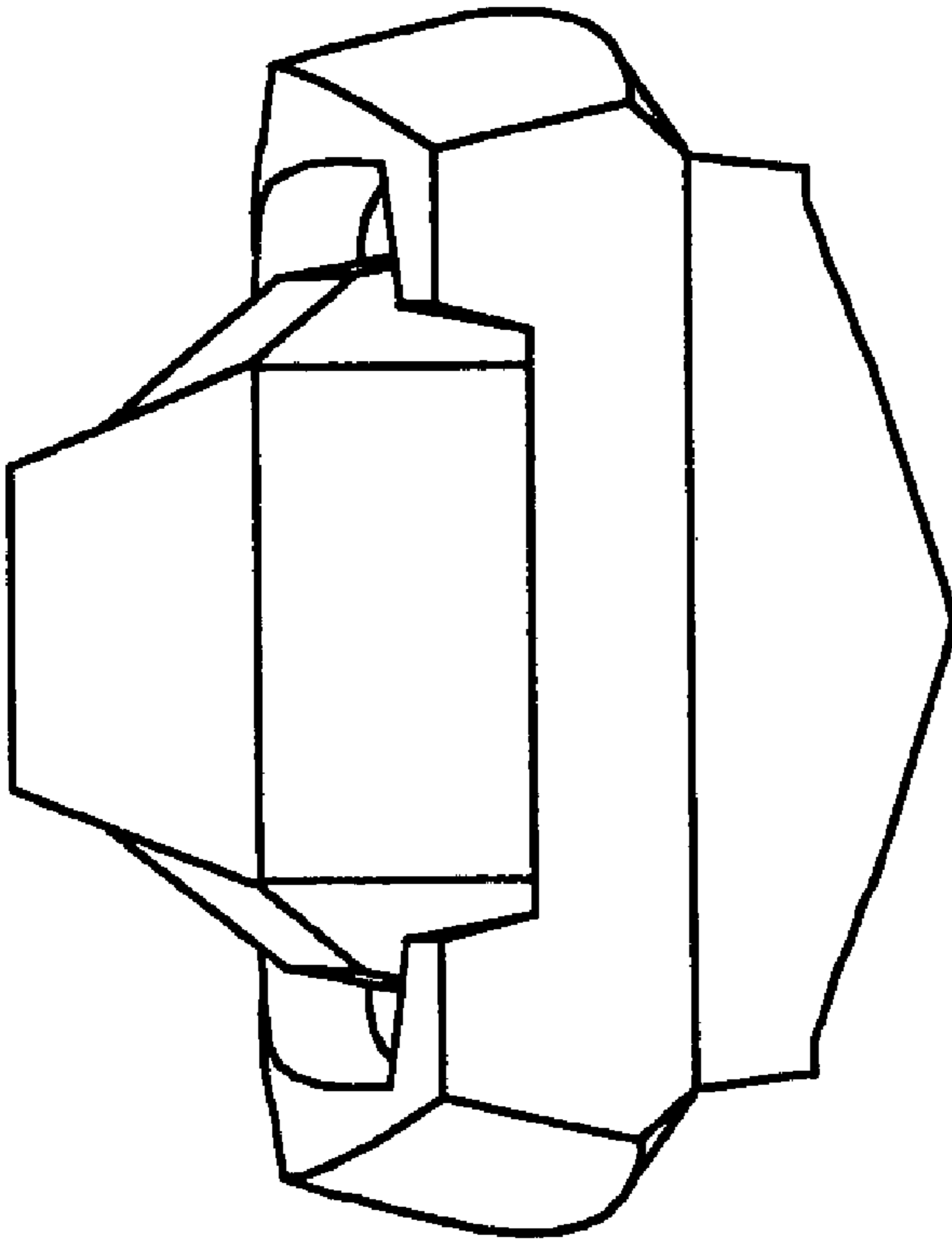


Fig. 7

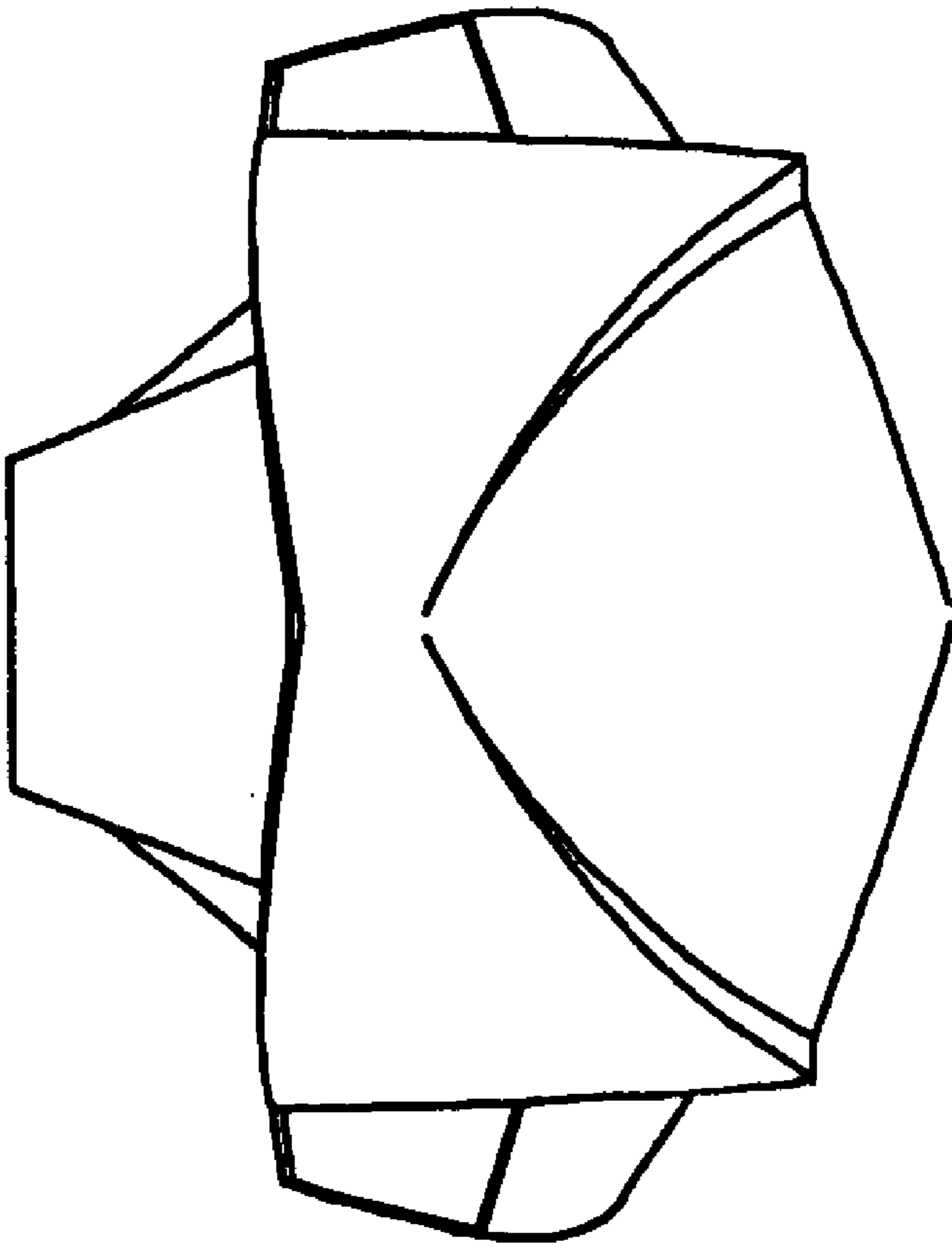


Fig. 8