



US00D464919S

(12) **United States Design Patent**  
**Pichan**

(10) **Patent No.:** **US D464,919 S**

(45) **Date of Patent:** **\*\* Oct. 29, 2002**

(54) **ILLUMINATED TRAILER HITCH APPARATUS**

(76) **Inventor:** **David L. Pichan**, 13660 Bunton, Willis, MI (US) 48191

(\*\*) **Term:** **14 Years**

(21) **Appl. No.:** **29/153,962**

(22) **Filed:** **Jan. 14, 2002**

(51) **LOC (7) Cl.** ..... **12-16**

(52) **U.S. Cl.** ..... **D12/162**

(58) **Field of Search** ..... D12/162, 400, D12/203; D20/10; 280/495, 506-507, 504, 511; 293/122; 138/89-89.4; 362/459-460, 484-487, 495-499, 505-506, 275, 269, 427-428, 418-419, 806; D26/28, 31, 34

(56) **References Cited**

**U.S. PATENT DOCUMENTS**

- D331,472 S \* 12/1992 Campbell ..... D26/31
- D331,980 S \* 12/1992 Henderson ..... D20/10
- D355,675 S \* 2/1995 Craig et al. .... D20/10
- D394,881 S \* 6/1998 Patel ..... D20/10
- D424,485 S \* 5/2000 Parker ..... D12/162
- D430,519 S \* 9/2000 Beauvais ..... D12/162

D444,754 S \* 7/2001 Storer ..... D12/203

\* cited by examiner

*Primary Examiner*—Stacia Cadmus

(74) *Attorney, Agent, or Firm*—Young & Basile, P.C.

(57) **CLAIM**

The ornamental design for an illuminated trailer hitch apparatus, as shown and described.

**DESCRIPTION**

FIG. 1 is a perspective view of the illuminated trailer hitch apparatus showing my new design with a lens exploded therefrom;

FIG. 2 is a top plan view of the illuminated trailer hitch apparatus of FIG. 1;

FIG. 3 is a bottom plan view of the illuminated trailer hitch apparatus of FIG. 1;

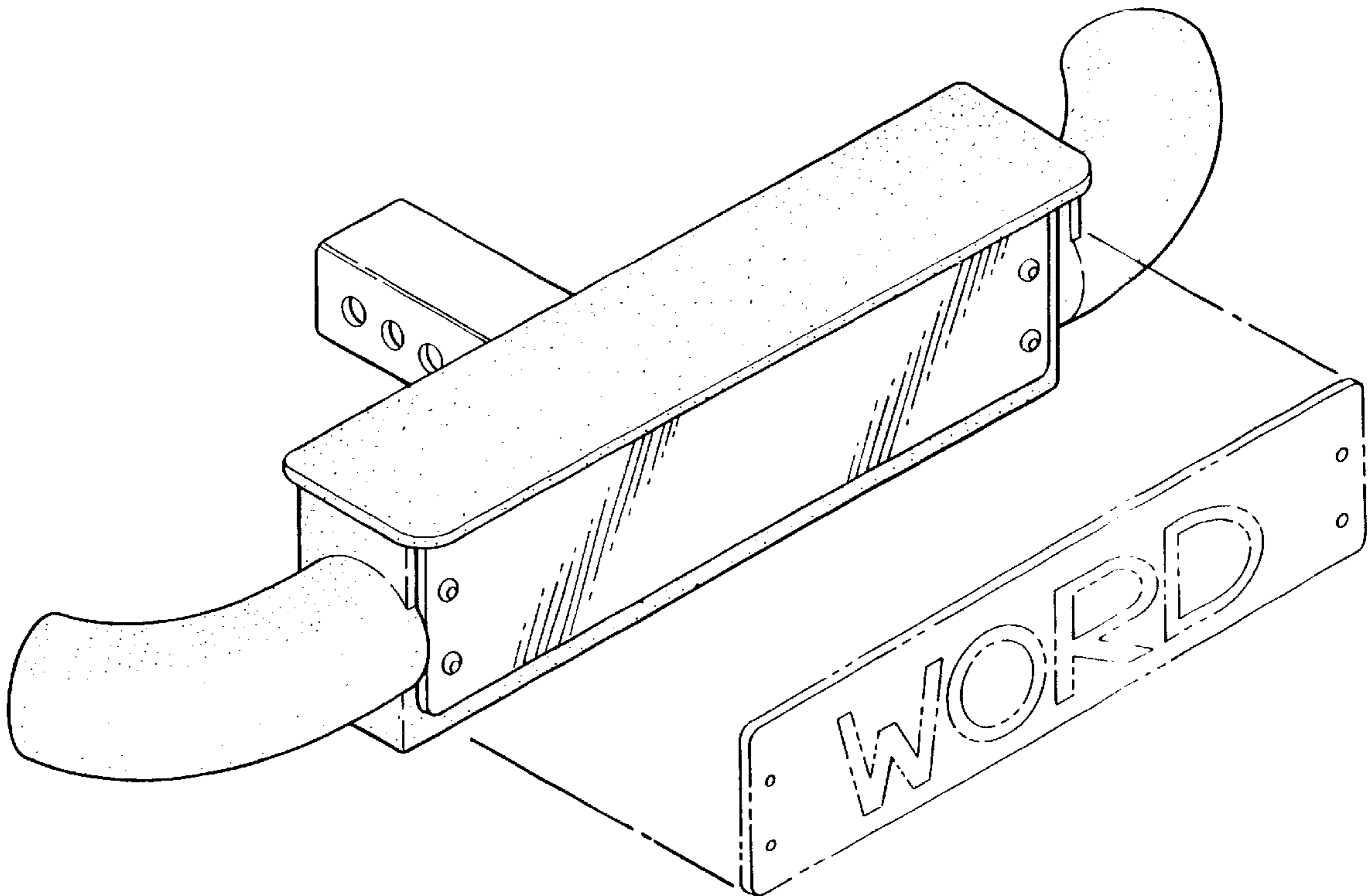
FIG. 4 is a front plan view of the illuminated trailer hitch apparatus of FIG. 1;

FIG. 5 is a rear plan view of the illuminated trailer hitch apparatus of FIG. 1; and,

FIG. 6 is a plan side view of the illuminated trailer hitch apparatus of FIG. 1.

The broken line showing of environment is for illustrative purposes only and forms no part of the claimed design.

**1 Claim, 4 Drawing Sheets**



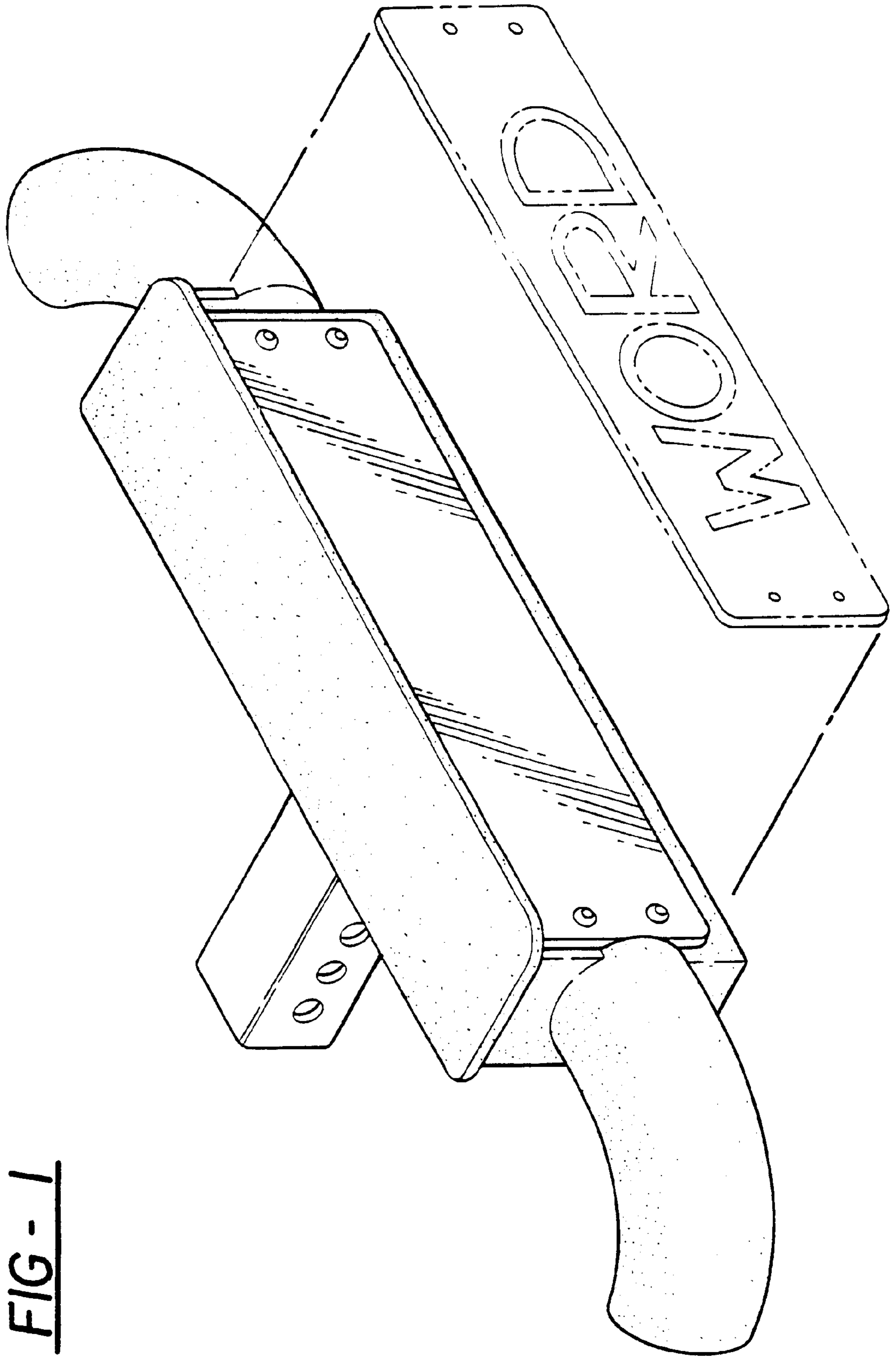


FIG - 1

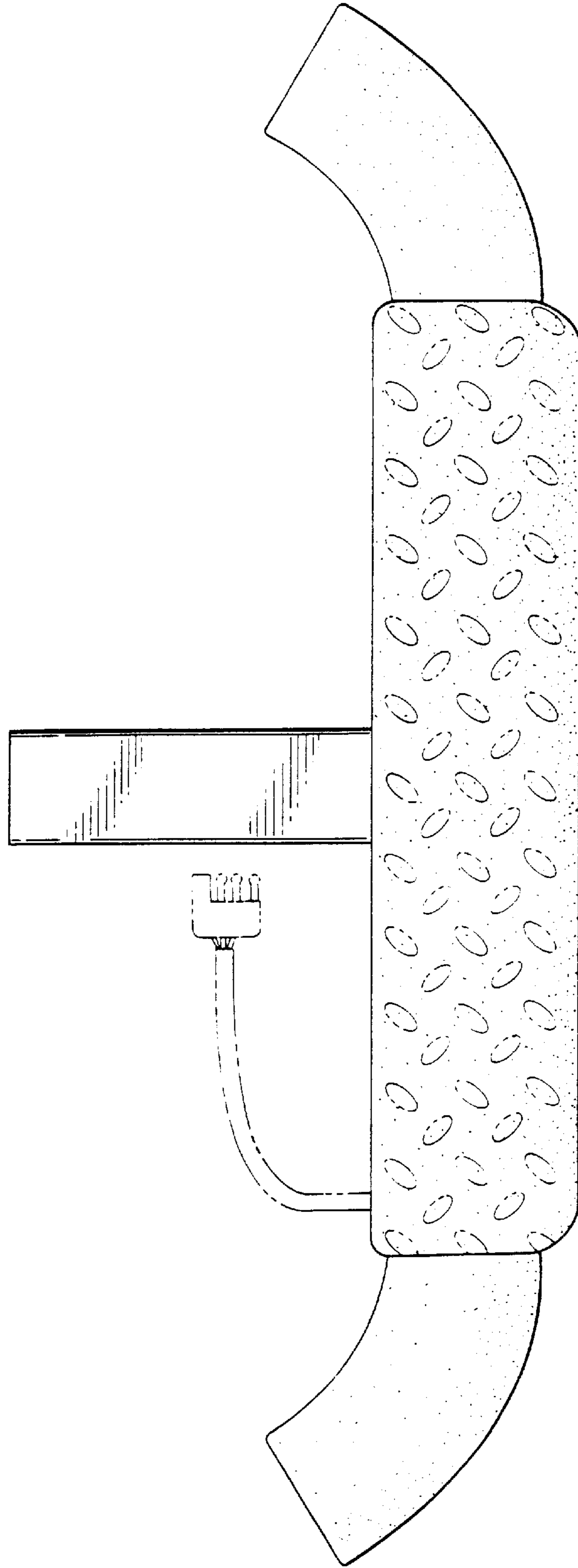


FIG-2

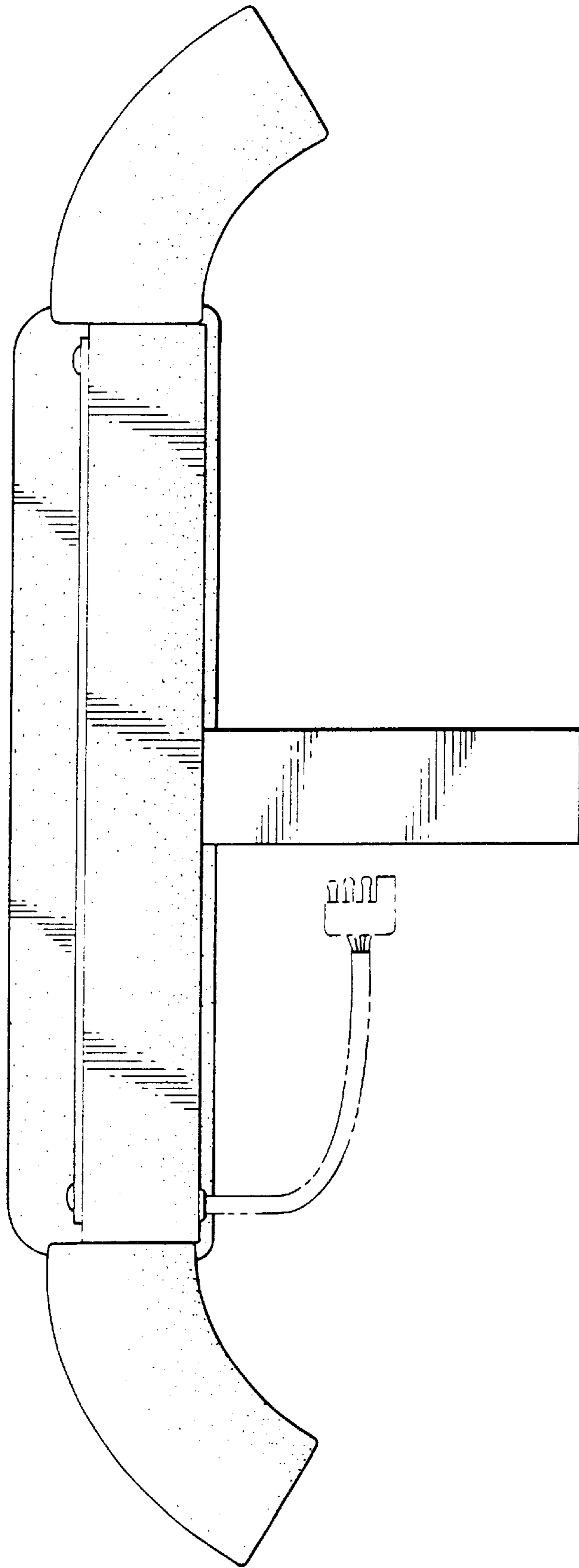


FIG- 3

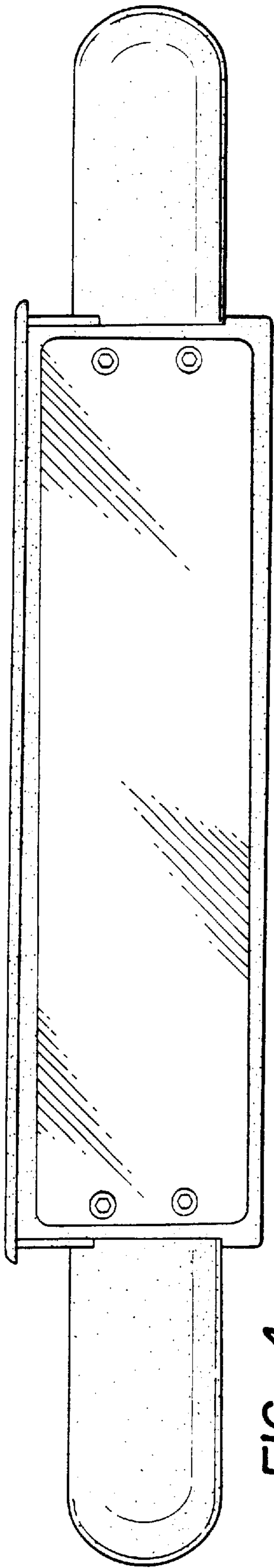


FIG - 4

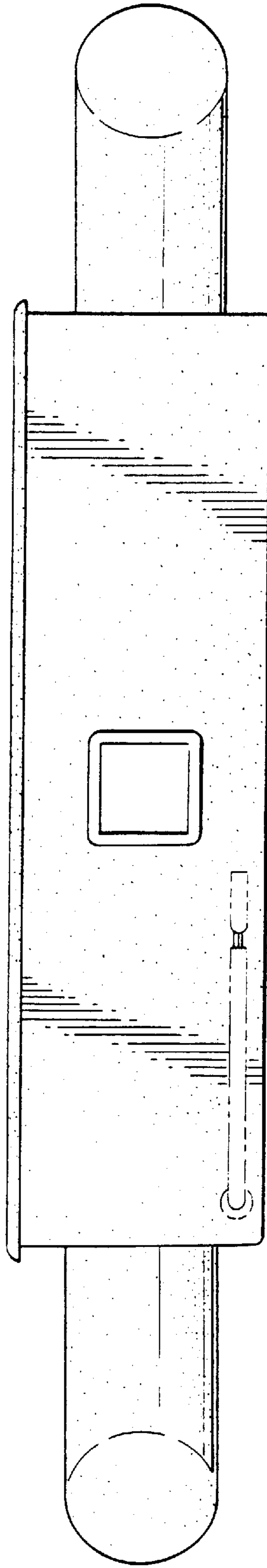


FIG - 5

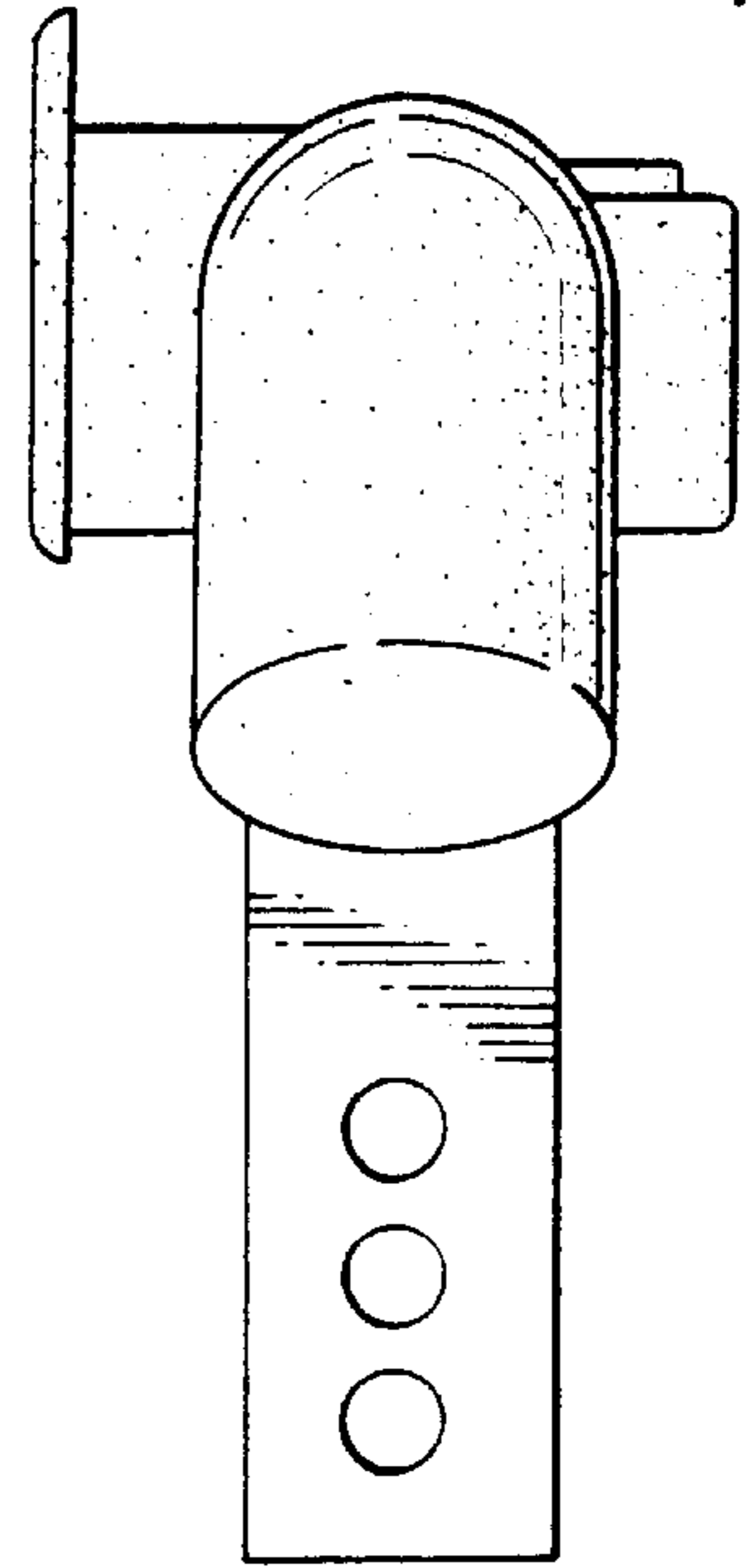


FIG - 6