

US00D464912S

(12) **United States Design Patent**
Powell

(10) **Patent No.:** **US D464,912 S**

(45) **Date of Patent:** **** Oct. 29, 2002**

(54) **TRUCK-MOUNTED FLAG AND POLE ASSEMBLY**

D428,361 S * 7/2000 Jones D11/182
6,295,945 B1 * 10/2001 Amanze 248/511

(76) **Inventor:** **Thomas L Powell**, 9725 Mac Arthur Ct. N., Jacksonville, FL (US) 32246

* cited by examiner

(**) **Term:** **14 Years**

Primary Examiner—Doris V. Coles
Assistant Examiner—Elizabeth A. Albert

(21) **Appl. No.:** **29/147,893**

(57) **CLAIM**

(22) **Filed:** **Sep. 7, 2001**

The ornamental design for a truck-mounted flag and pole assembly, as shown and described.

(51) **LOC (7) Cl.** **11-05**

DESCRIPTION

(52) **U.S. Cl.** **D11/166**

(58) **Field of Search** D11/165, 166, D11/167, 168, 169, 170, 171, 172, 173, 174, 175, 176, 177, 178, 179, 180, 181, 182, 183, 184; 40/218, 606; 52/720.1, 300, 301; 116/173, 174, 175; 248/127, 511, 512, 513, 534, 535, 536, 538, 539, 503, 514, 519, 309.1

FIG. 1 is a front elevational view of the truck-mounted flag and pole assembly of the present invention; the rear view being a mirror image thereof;

FIG. 2 is a left side elevational view of the truck-mounted flag and pole assembly of FIG. 1;

FIG. 3 is a right side elevational view of the truck-mounted flag and pole assembly of FIG. 1;

FIG. 4 is a top plan view of the truck-mounted flag and pole assembly of FIG. 1;

FIG. 5 is a bottom plan view of the truck-mounted flag and pole assembly of FIG. 1; and,

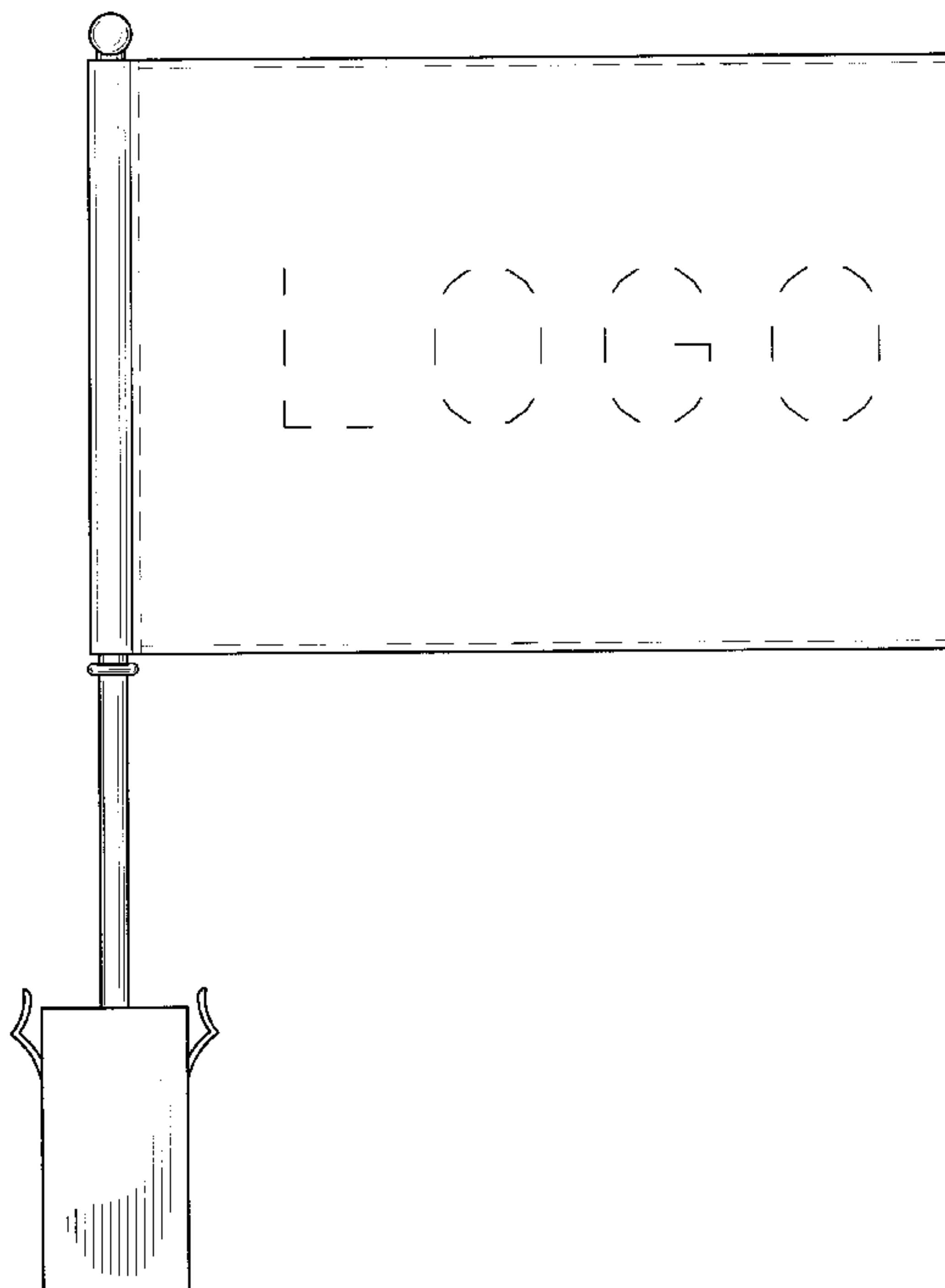
FIG. 6 is a front elevational view of a truck-mounted flag and pole assembly showing a second embodiment, the sole difference being in the telescopic pole and it being understood that the top and bottom views of the second embodiment are the same as the first embodiment as shown in FIGS. 4 and 5, and the left and right side views are the same as those shown in FIGS. 2 and 3 except for the telescopic pole. The broken lines around the inside perimeter of the flag and the showing of a logo in FIGS. 1 and 6 are for illustrative purposes only and form no part of the claimed design.

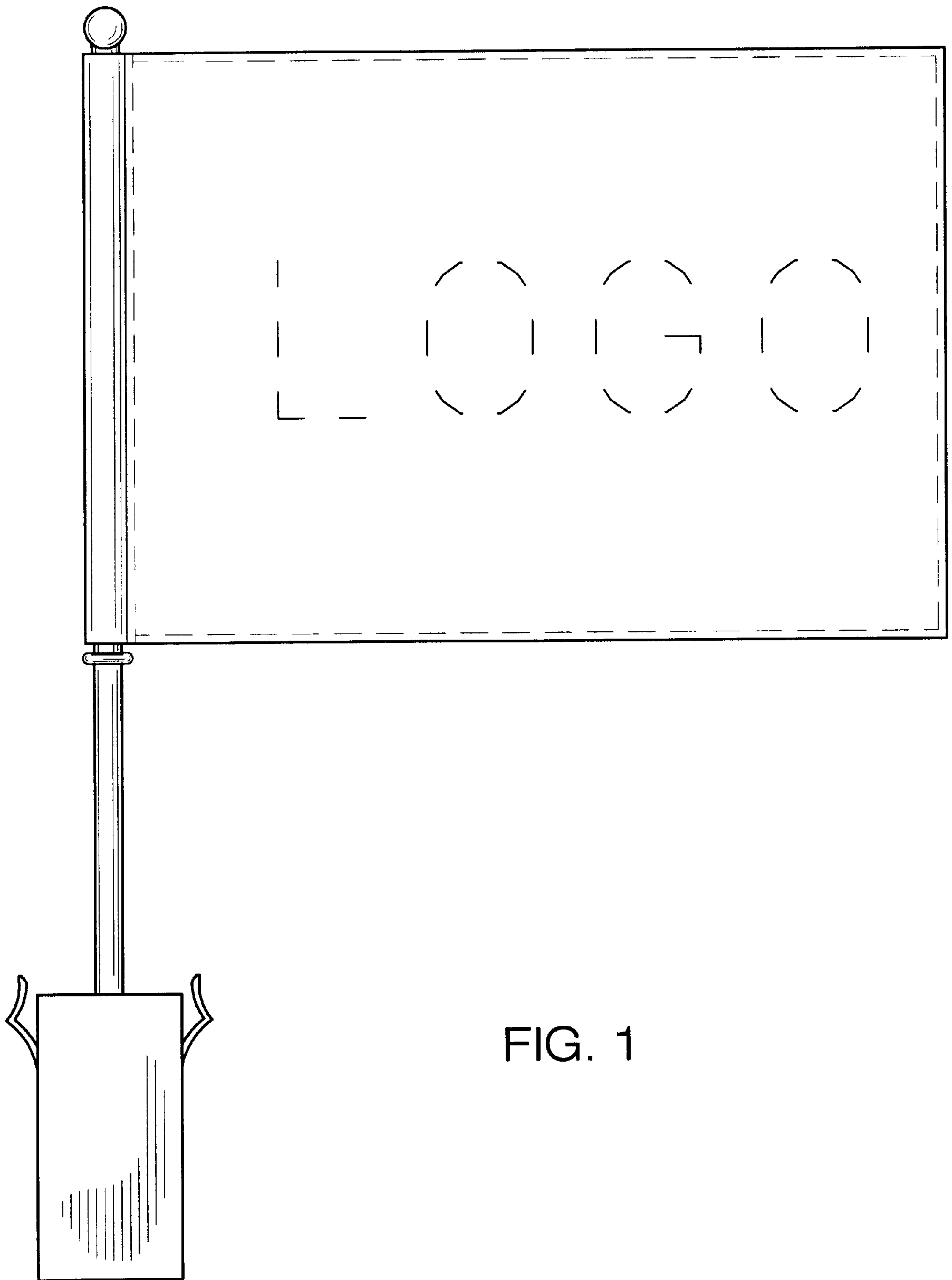
(56) **References Cited**

U.S. PATENT DOCUMENTS

2,292,523	A	*	8/1942	Hynek	D11/166
2,748,745	A		6/1956	Pobanz et al.		
2,775,221	A	*	12/1956	Olson	248/511
3,477,161	A	*	11/1969	Drexler	116/174
3,540,406	A		11/1970	Dexter		
3,860,240	A	*	1/1975	Koch	248/539
4,601,255	A		7/1986	Marcotti		
D349,924	S	*	8/1994	Fisch	D11/166
D363,446	S		10/1995	McDonald		
5,740,622	A		4/1998	Martin		
D403,617	S	*	1/1999	Zeese	D11/166
5,899,167	A	*	5/1999	Furman	116/173
5,995,053	A		11/1999	Curtis		

1 Claim, 3 Drawing Sheets





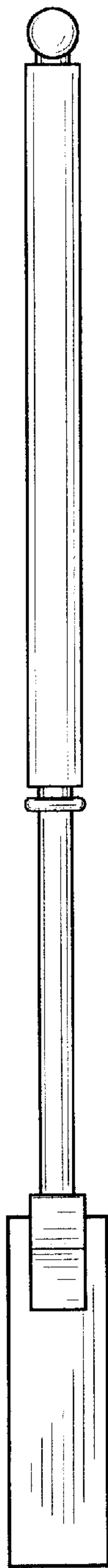


FIG. 2

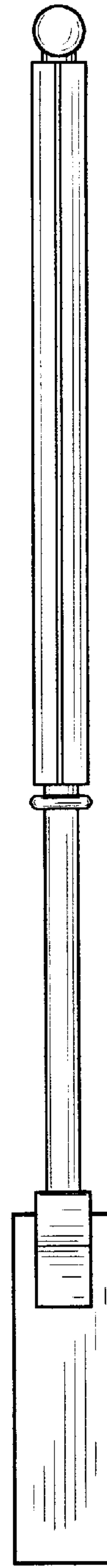


FIG. 3

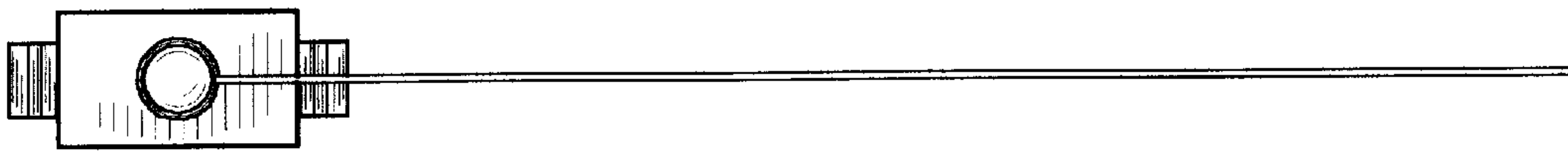


FIG. 4

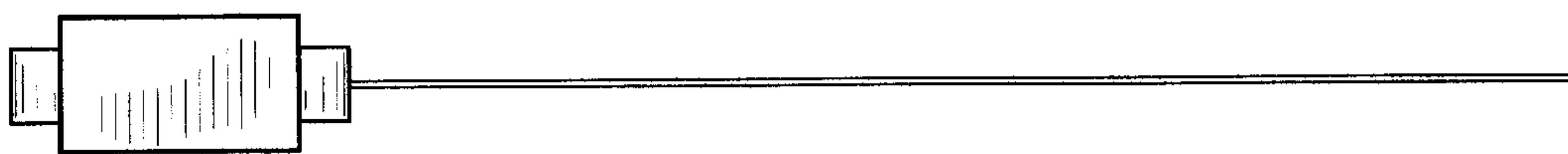


FIG. 5

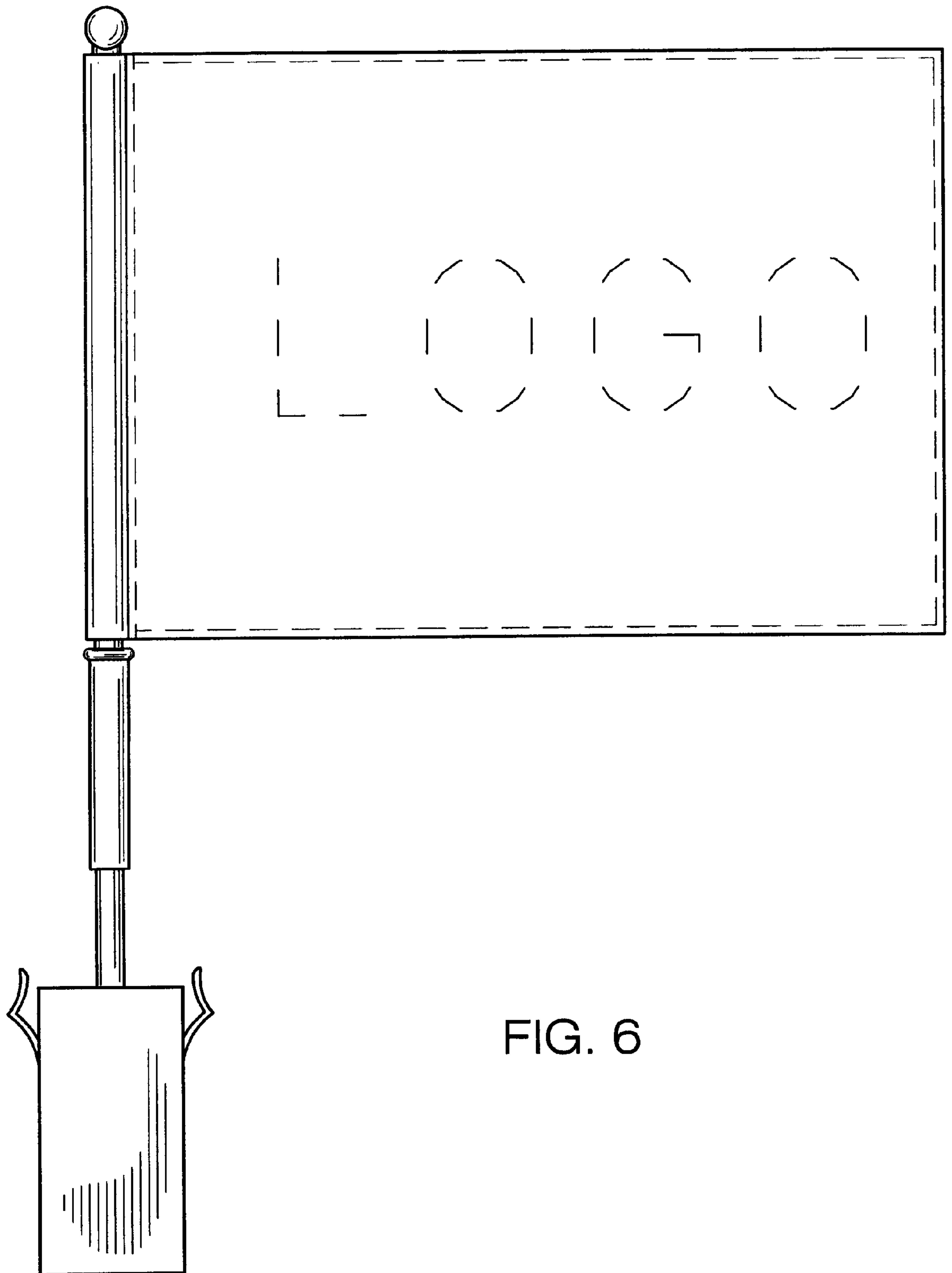


FIG. 6