



US00D464909S

(12) **United States Design Patent**  
**Dahlson**

(10) **Patent No.:** **US D464,909 S**

(45) **Date of Patent:** **\*\* Oct. 29, 2002**

(54) **FRESH CUT FLOWER CONTAINER**

(75) **Inventor:** **David Dahlson**, Woodland Hills, CA (US)

(73) **Assignee:** **Mayesh Wholesale Florist, Inc.**, Los Angeles, CA (US)

(\*\*) **Term:** **14 Years**

(21) **Appl. No.:** **29/148,109**

(22) **Filed:** **Sep. 11, 2001**

(51) **LOC (7) Cl.** ..... **11-02**

(52) **U.S. Cl.** ..... **D11/155**

(58) **Field of Search** ..... D11/143, 144, D11/145, 146, 147, 148, 149, 152; 47/41.01, 41.11, 41.12, 41.13, 41.14, 66.6, 69; D3/206, 904; D19/77, 81, 85, 95; D24/224; D22/134, 147, 148; 206/315.11, 443, 423

(56) **References Cited**

**U.S. PATENT DOCUMENTS**

3,107,467	A	*	10/1963	Gates	.....	D19/85
D235,080	S	*	5/1975	Verona	.....	D3/206
4,415,092	A	*	11/1983	Boyer	.....	211/60.1
D332,468	S	*	1/1993	Tarozzi	.....	D19/84
D342,155	S	*	12/1993	Borawski	.....	D3/260
D357,886	S	*	5/1995	Fuller	.....	D11/152
D367,714	S	*	3/1996	Pennicook	.....	D24/224

D390,727	S	*	2/1998	Ferry	.....	D19/77
D433,065	S	*	10/2000	Mahlke	.....	D19/85

\* cited by examiner

*Primary Examiner*—Doris V. Coles

*Assistant Examiner*—Mimosa De

(74) *Attorney, Agent, or Firm*—Freilich, Hornbaker & Rosen

(57) **CLAIM**

The ornamental design for a fresh cut flower container, as shown and described.

**DESCRIPTION**

FIG. 1 is an isometric view of a fresh cut flower container in accordance with the invention;

FIG. 2 is a front elevational view of the fresh cut flower container of FIG. 1 and also represents an identical rear elevational view;

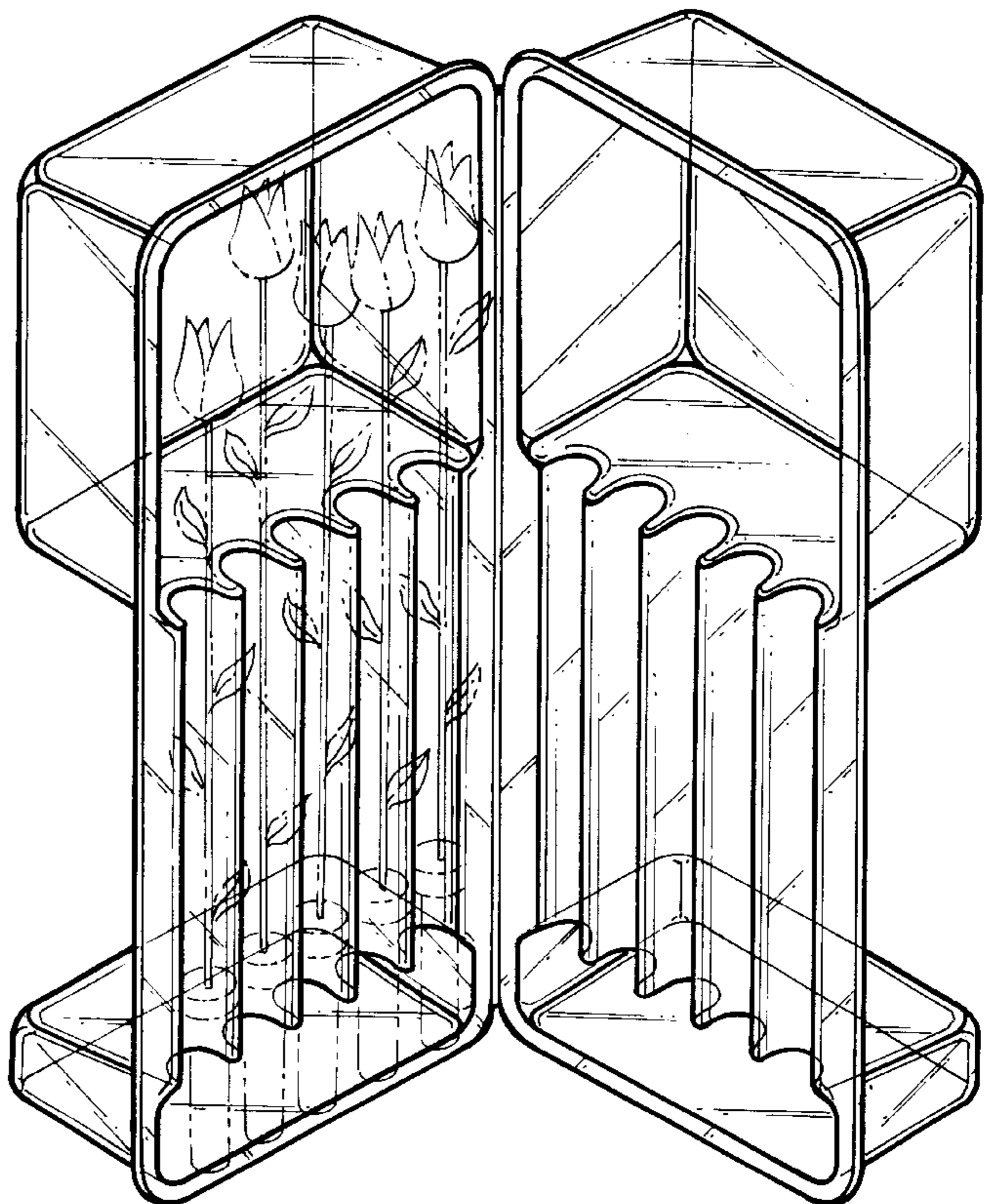
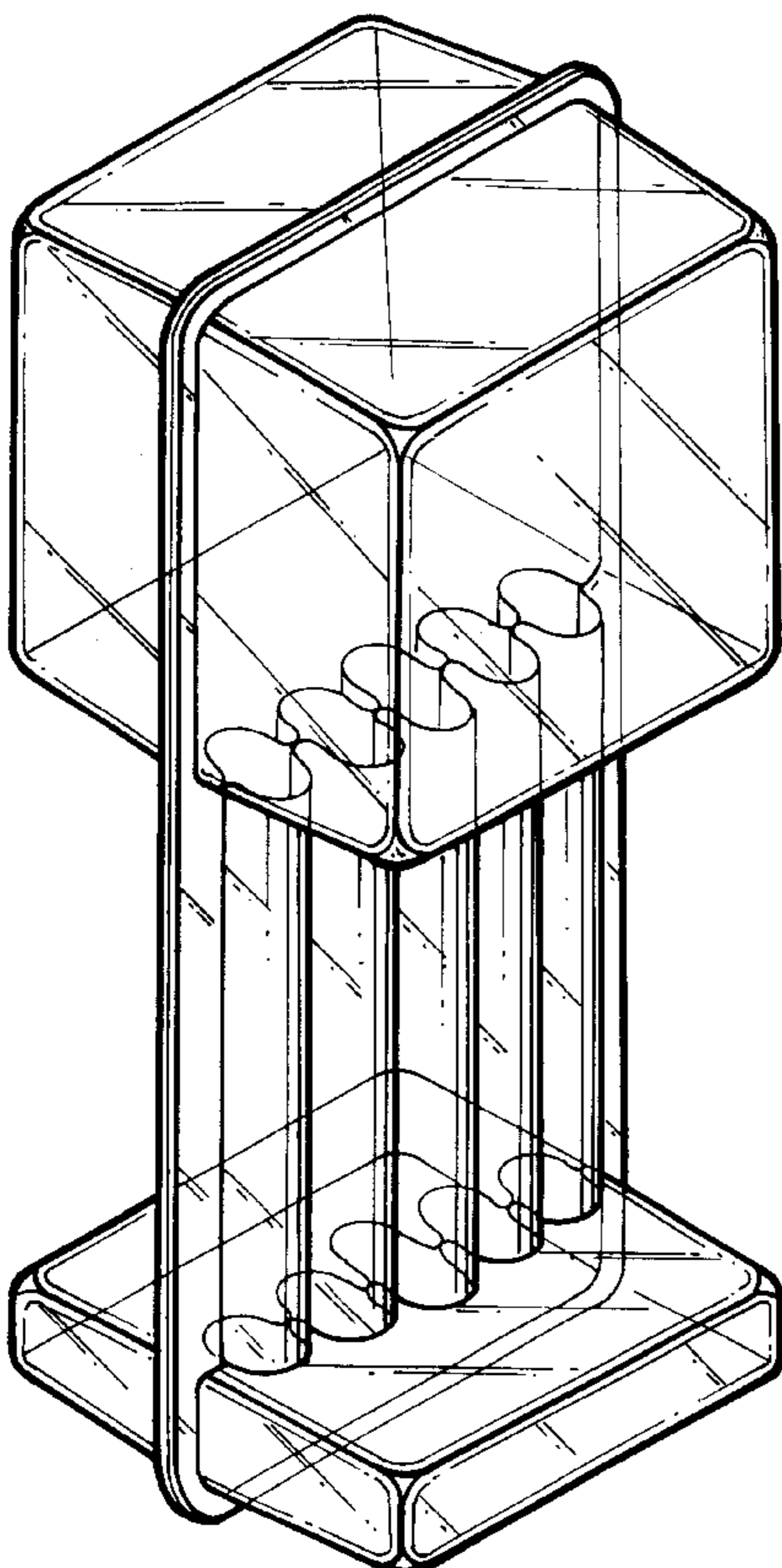
FIG. 3 is a right side elevational view of the fresh cut flower container;

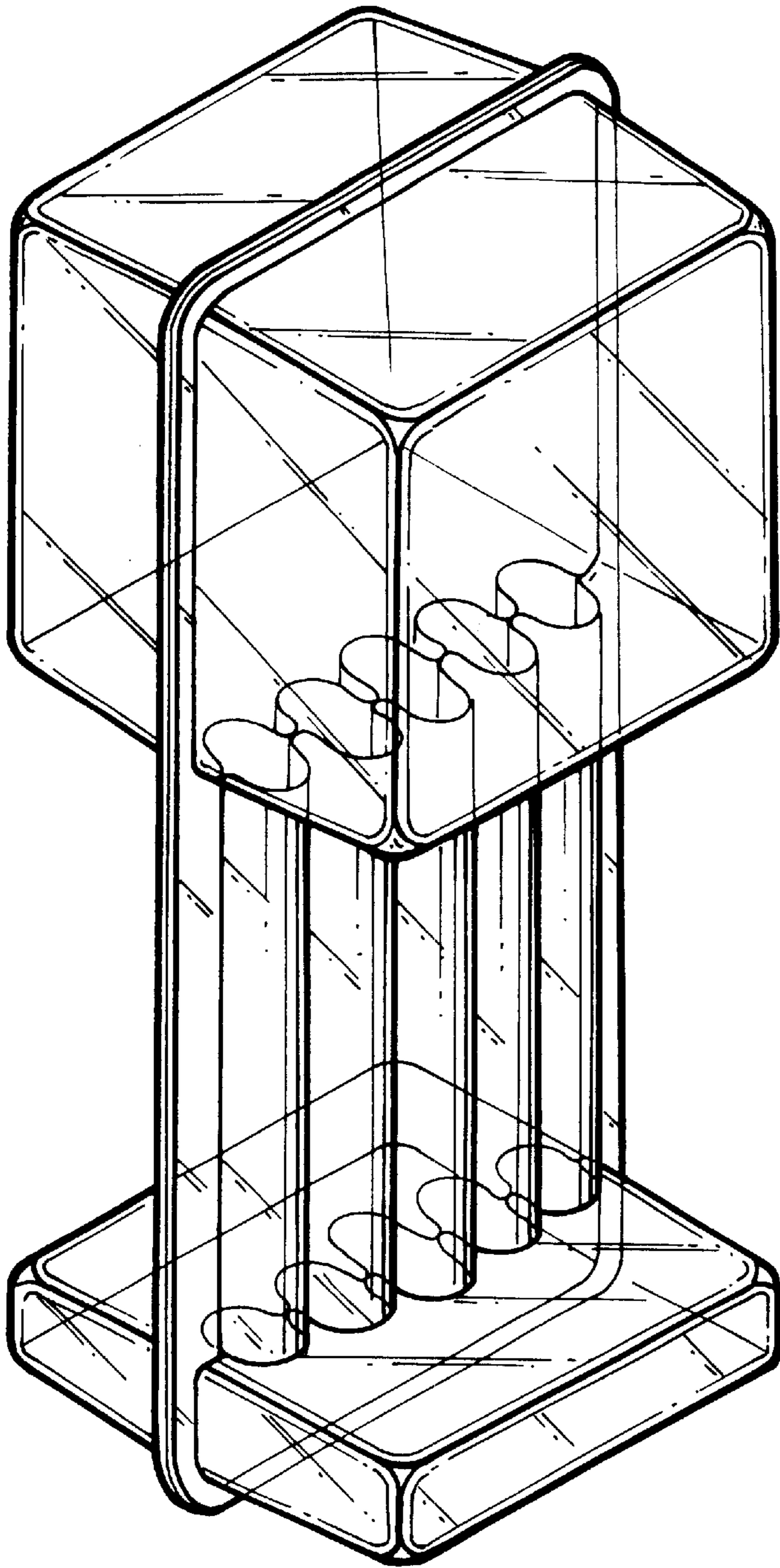
FIG. 4 is a left side elevational view of the container;

FIG. 5 is a top plan view of the fresh cut flower container and also represents an identical bottom plan view; and,

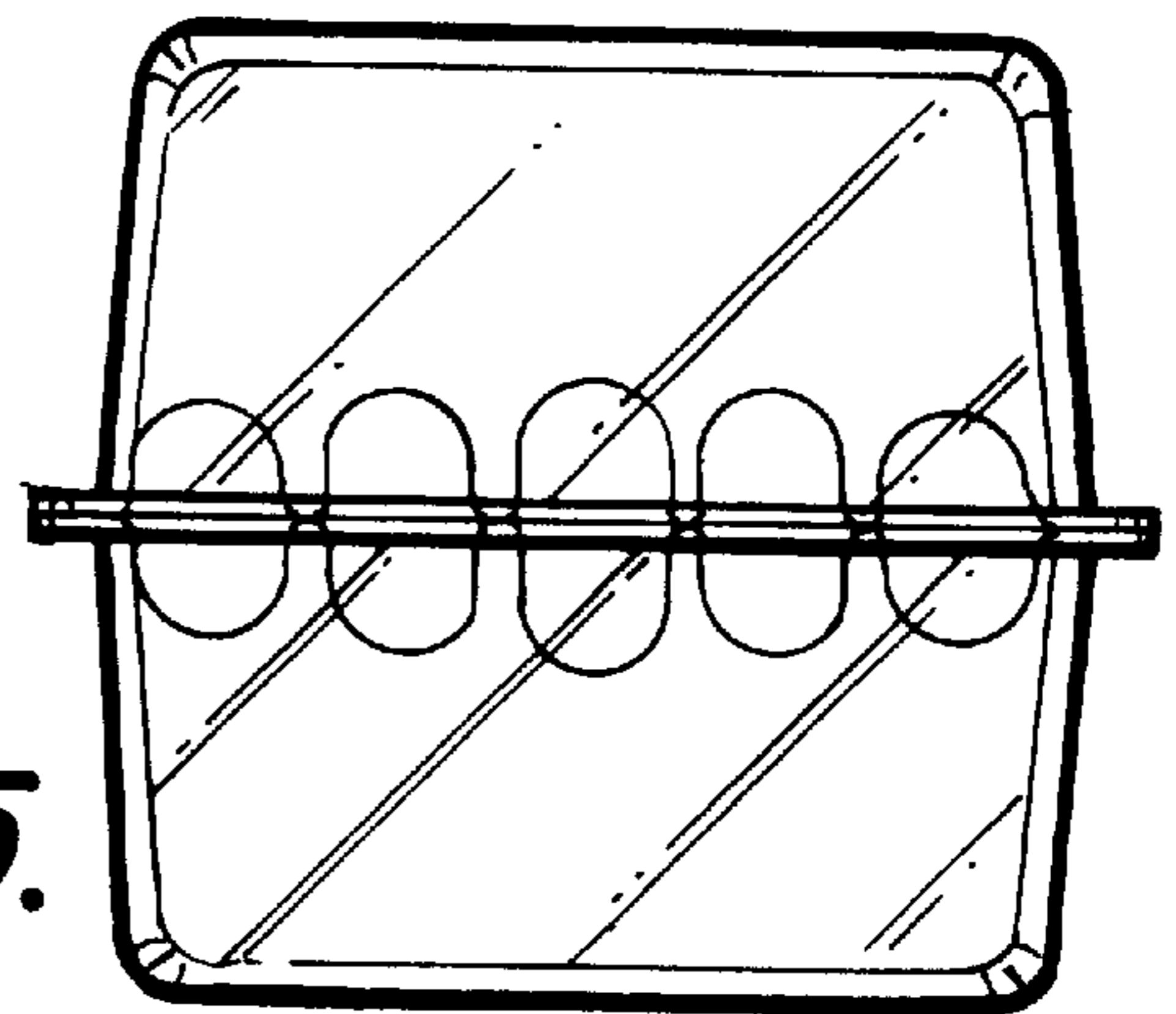
FIG. 6 is an isometric view similar to FIG. 1, but showing the container open containing exemplary flowers shown in broken line for illustration purposes only.

**1 Claim, 3 Drawing Sheets**



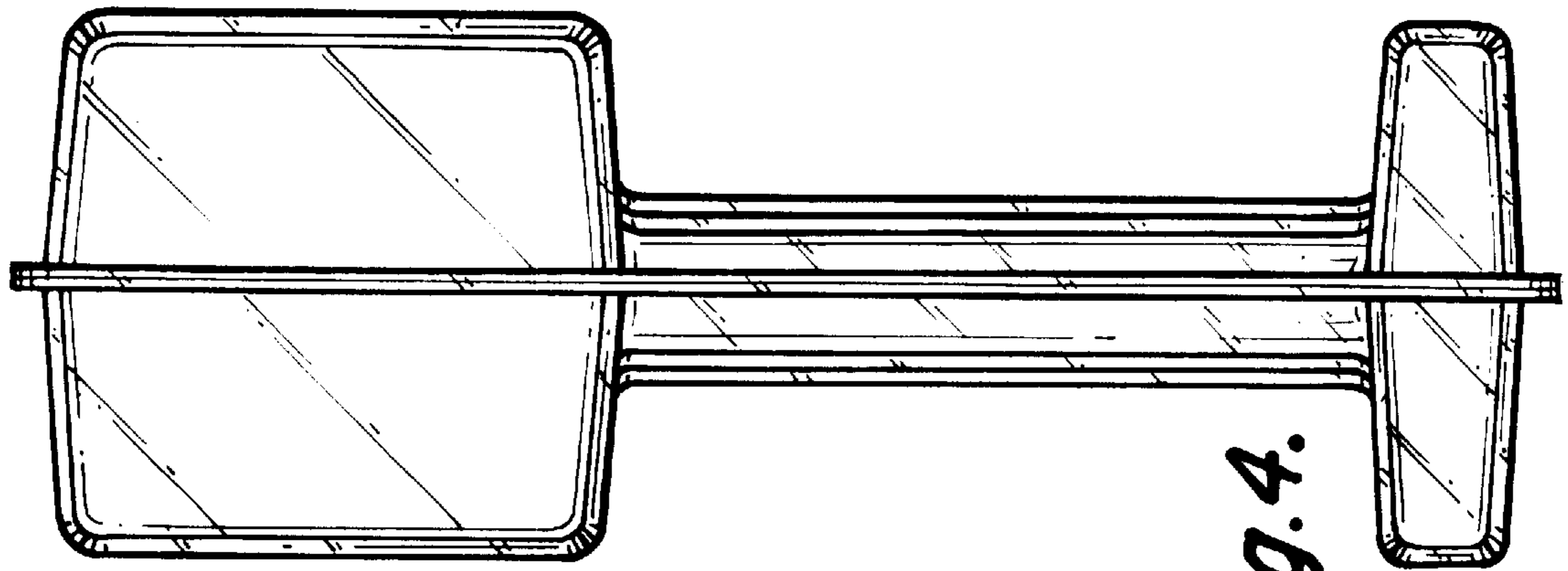


*Fig. 1.*

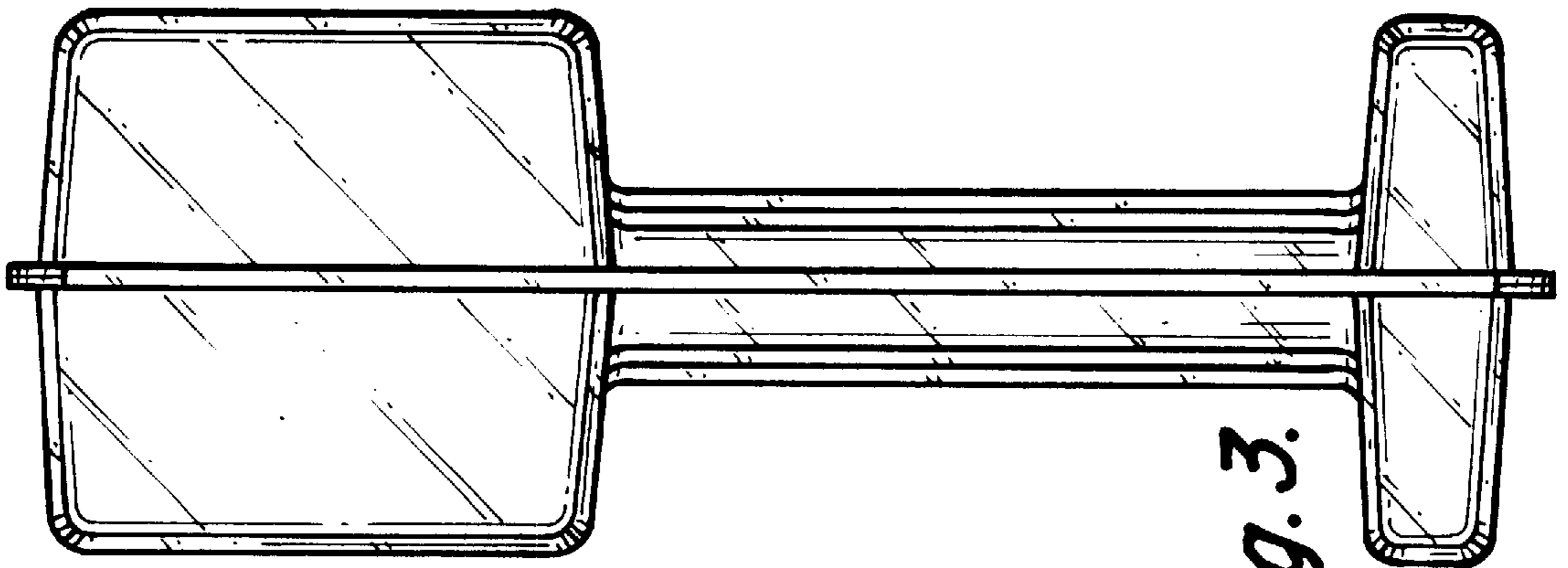


*Fig. 5.*

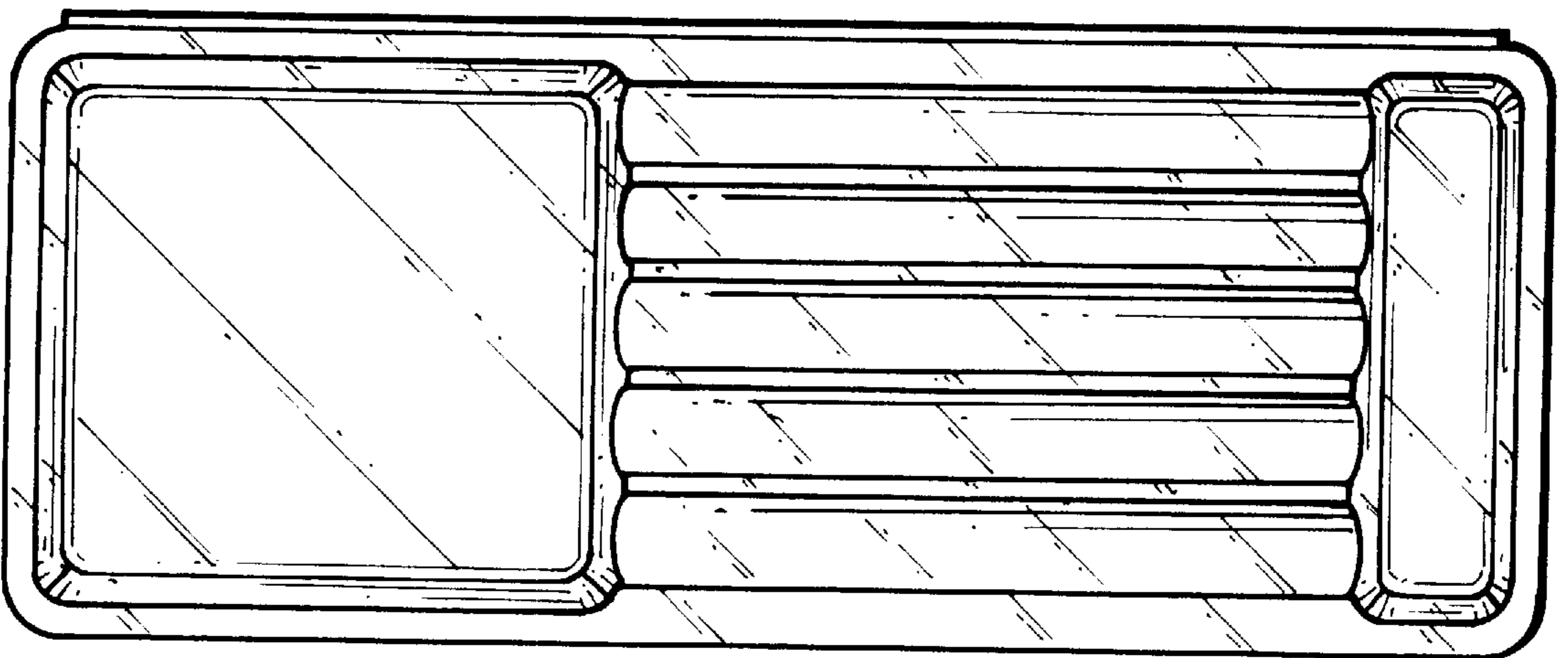




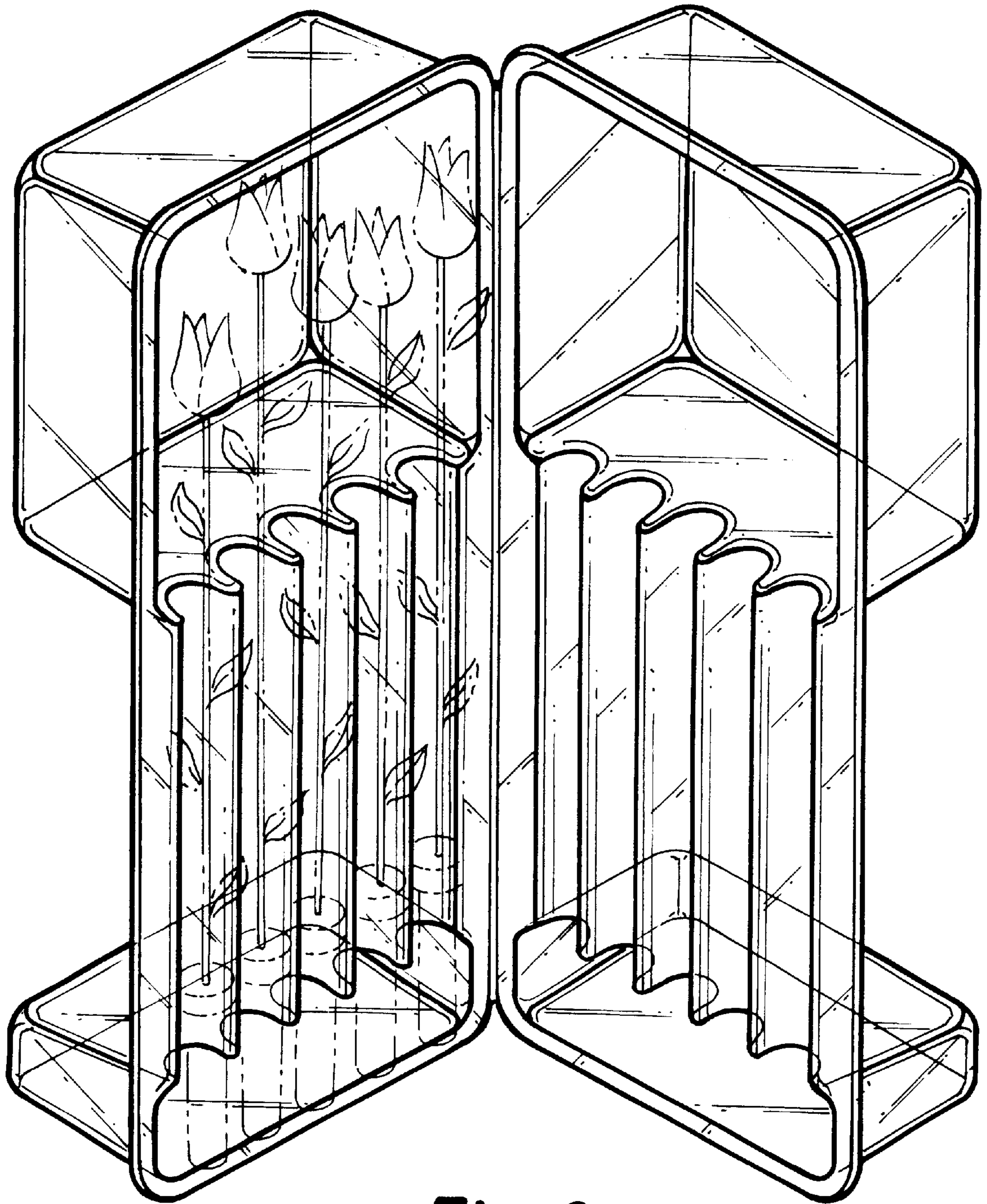
*Fig. 4.*



*Fig. 3.*



*Fig. 2.*



*Fig. 6.*