



US00D464907S

(12) **United States Design Patent**  
**Jacobs**

(10) **Patent No.:** **US D464,907 S**

(45) **Date of Patent:** **\*\* Oct. 29, 2002**

(54) **MEDALLION**

(75) **Inventor:** **Thomas E. Jacobs**, Menomonee Falls, WI (US)

(73) **Assignee:** **DCI Marketing, Inc.**, Milwaukee, WI (US)

(\*\*) **Term:** **14 Years**

(21) **Appl. No.:** **29/148,069**

(22) **Filed:** **Sep. 14, 2001**

(51) **LOC (7) Cl.** ..... **11-01**

(52) **U.S. Cl.** ..... **D11/95**

(58) **Field of Search** ..... D11/1, 2, 7, 11, D11/14, 40-44, 47-49, 53, 55, 62-63, 65-70, 72-73, 75-77, 79-88, 95-97, 99-100, 103, 108, 110, 112, 115; 70/458; D3/211; 63/1.11, 1.14, 12, 13, 14.1, 18-20, 23

(56) **References Cited**

**U.S. PATENT DOCUMENTS**

D23,831 S	*	12/1894	Walsh	.....	D11/96
D25,544 S	*	5/1896	Brown	.....	D11/108
D44,271 S	*	7/1913	Gulick	.....	D11/99
D231,366 S	*	4/1974	Mathias	.....	D11/115
D315,119 S	*	3/1991	Freeman et al.	.....	D11/115
5,547,306 A		8/1996	Zakrajsek		
5,581,852 A		12/1996	Zakrajsek		

**OTHER PUBLICATIONS**

U.S. patent application Ser. No. 09/553,362, Boyle, filed Apr. 20, 2000, abandoned.

\* cited by examiner

*Primary Examiner*—Ralf Seifert

(74) *Attorney, Agent, or Firm*—Foley & Lardner

(57) **CLAIM**

I claim the ornamental design for a medallion, as shown and described.

**DESCRIPTION**

FIG. 1 is a perspective view of a medallion.

FIG. 2 is a top plan view of the medallion.

FIG. 3 is a bottom plan view of the medallion.

FIG. 4 is a right side elevation view of the medallion.

FIG. 5 is a left side elevation view of the medallion.

FIG. 6 is a rear elevation view of the medallion.

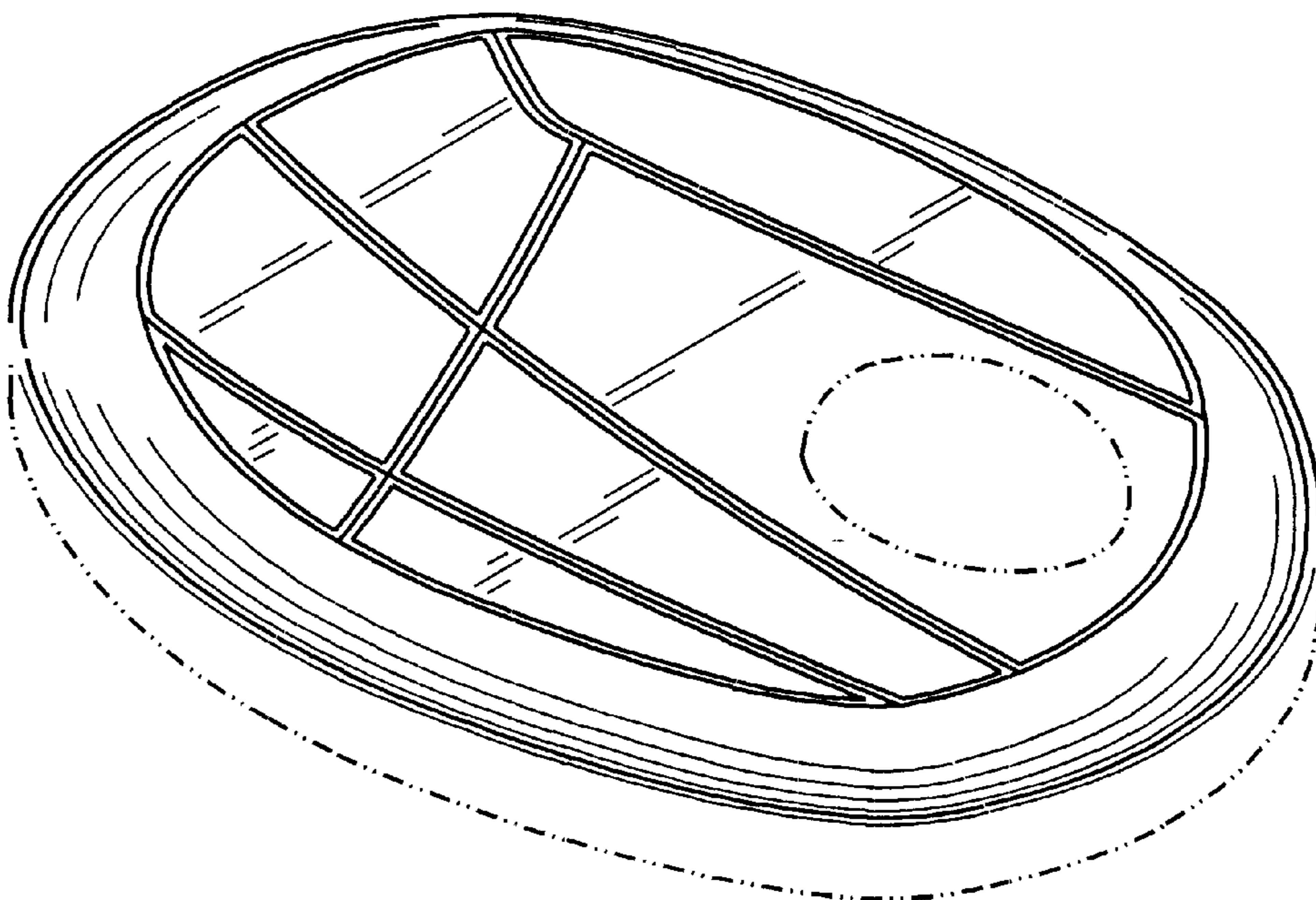
FIG. 7 is a front elevation view of the medallion.

FIG. 8 is a cross section view of the medallion shown in FIG. 2, taken along the line 8—8; and,

FIG. 9 is a cross section view of the medallion shown in FIG. 2, taken along the line 9—9.

The ornamental design which is claimed is shown in solid lines in the drawings. The broken lines in the drawings are for illustrative purposes only and form no part of the claimed design. No claim is made to the thickness of the medallion, shown in broken lines. The surface curvature of the medallion is shown in broken lines and forms no part of the claimed design.

**1 Claim, 3 Drawing Sheets**



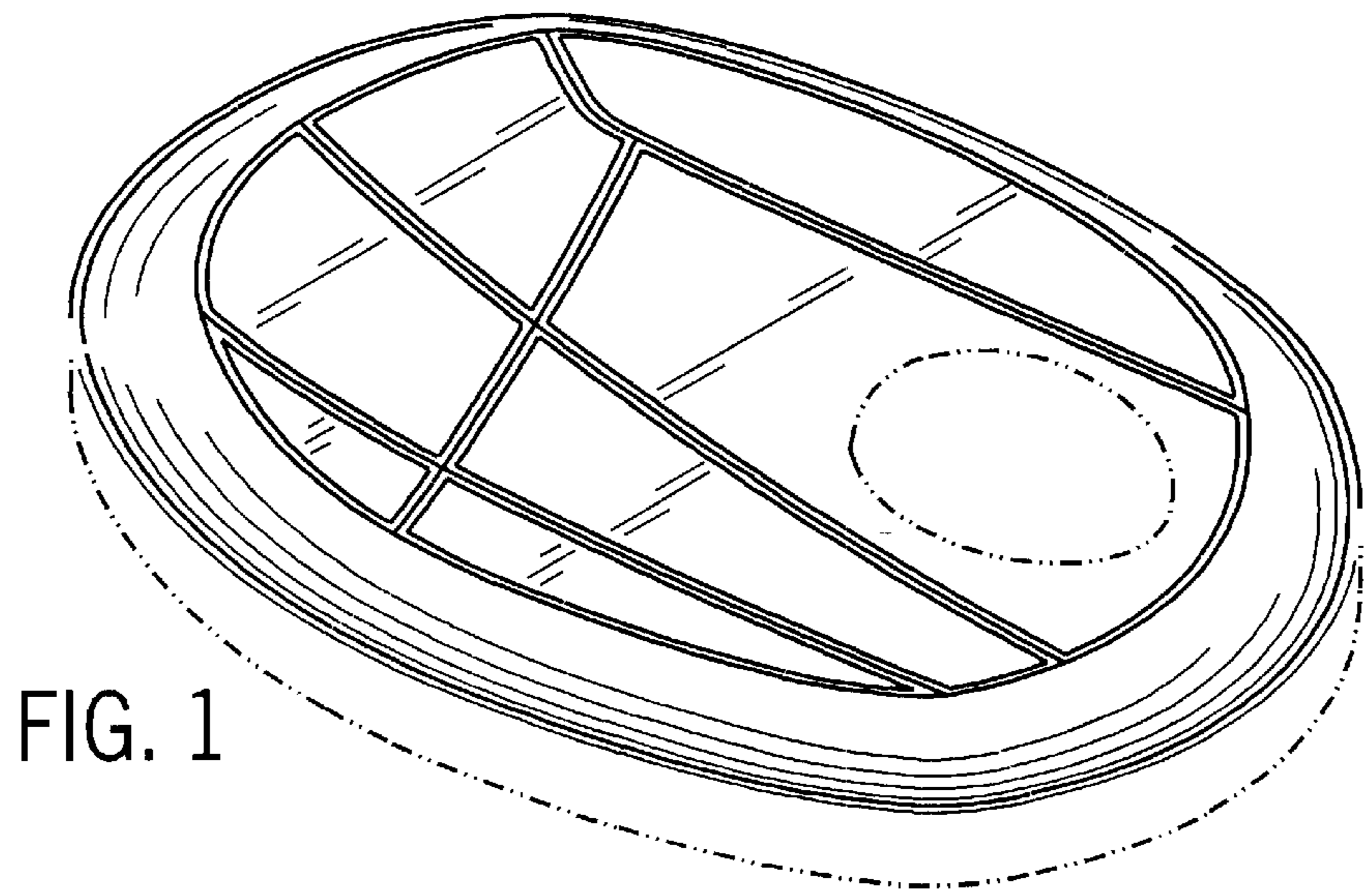


FIG. 1

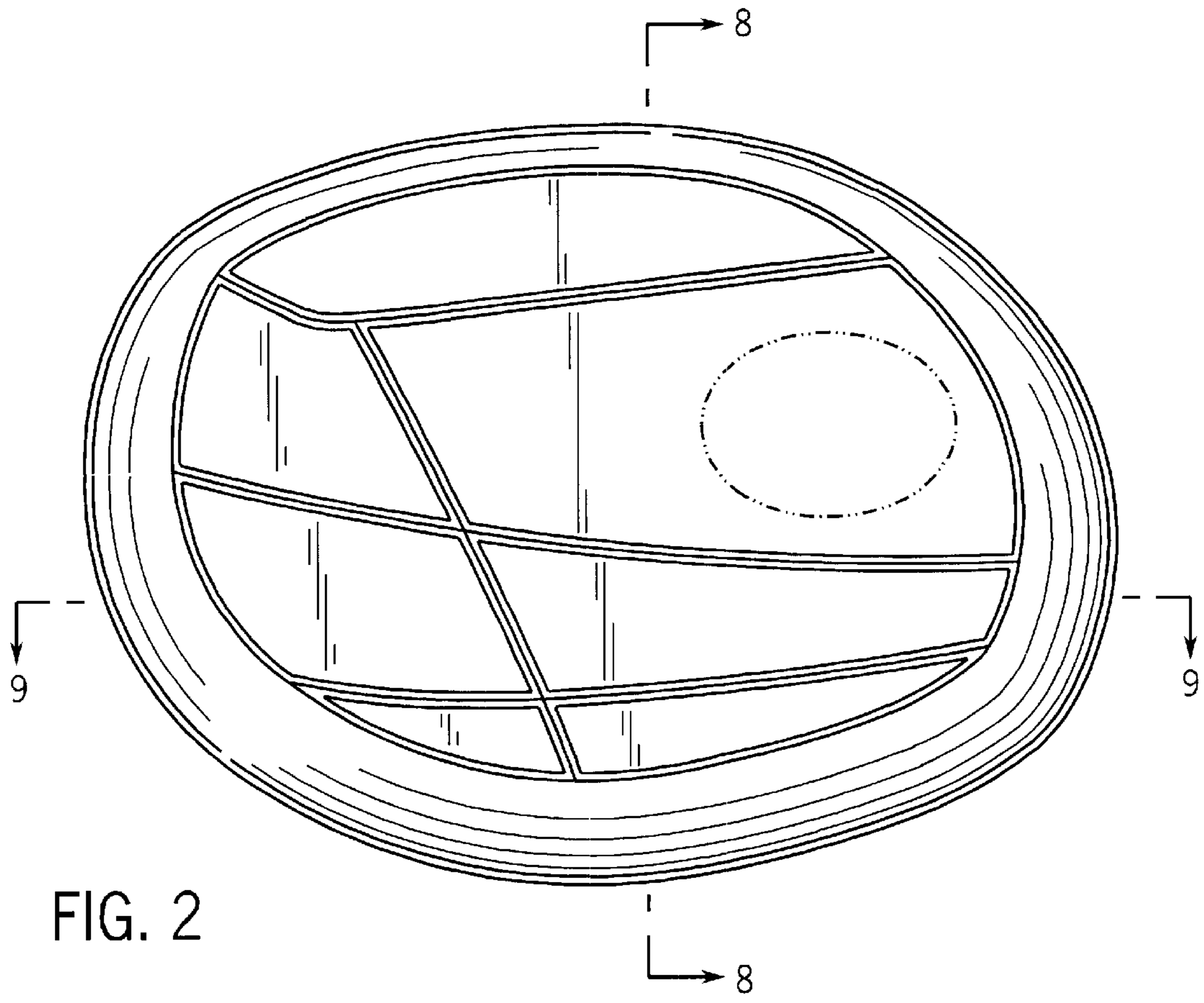


FIG. 2

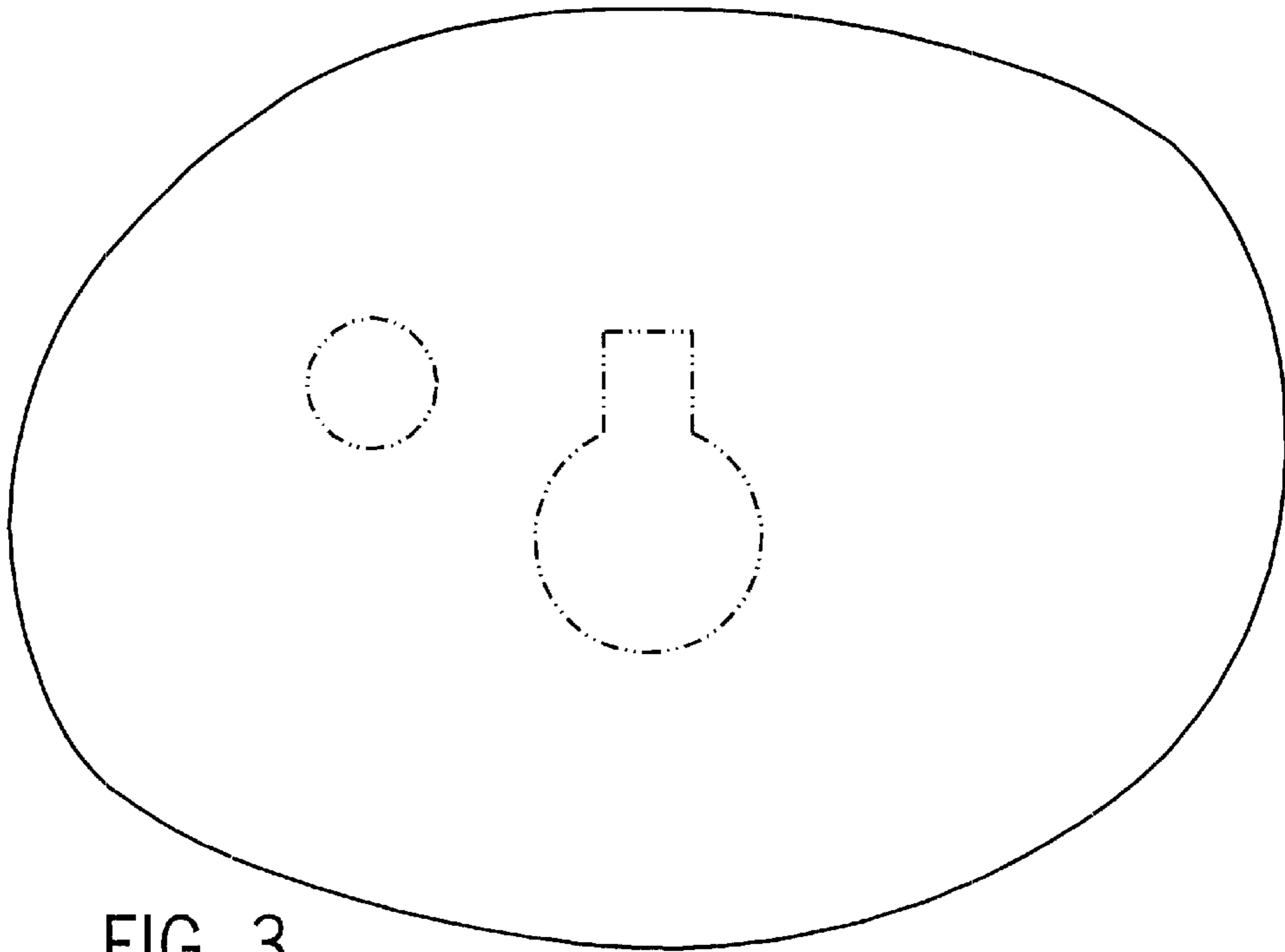


FIG. 3

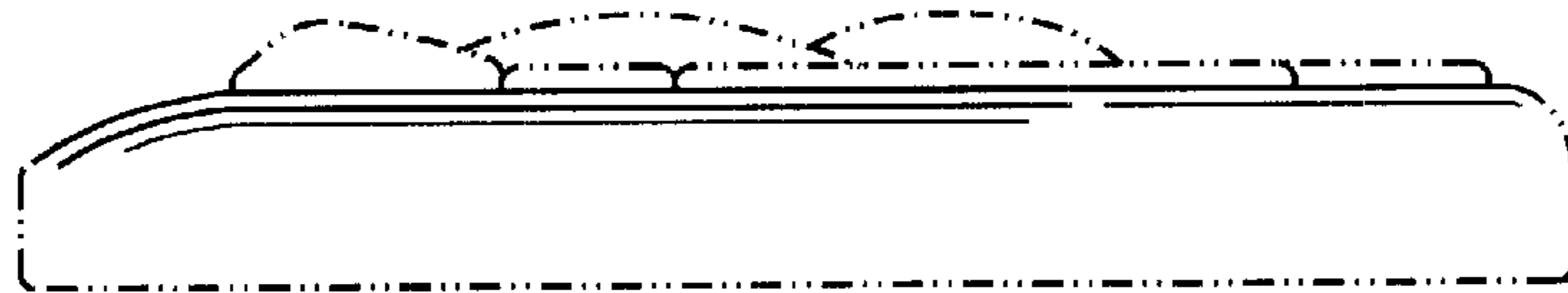


FIG. 4

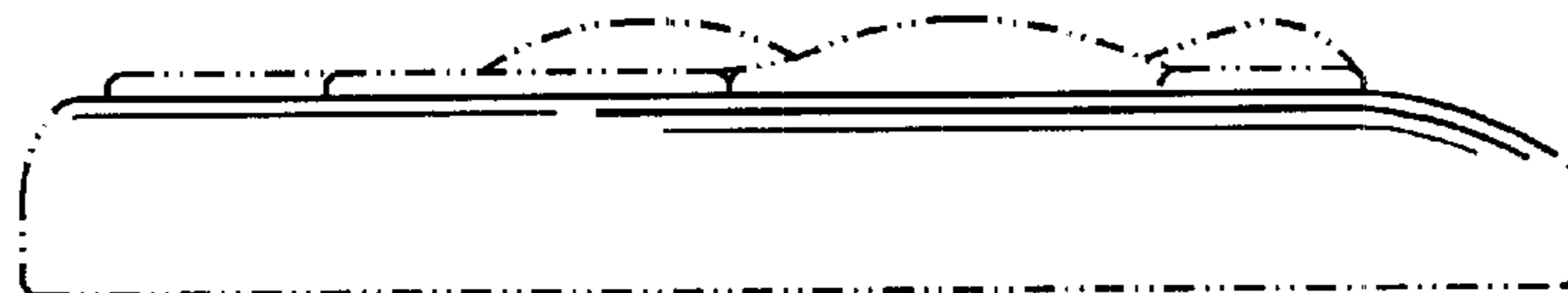


FIG. 5

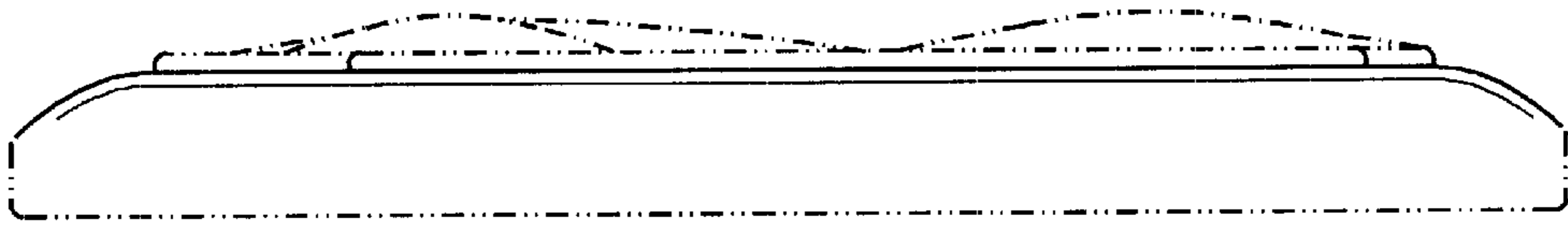


FIG. 6

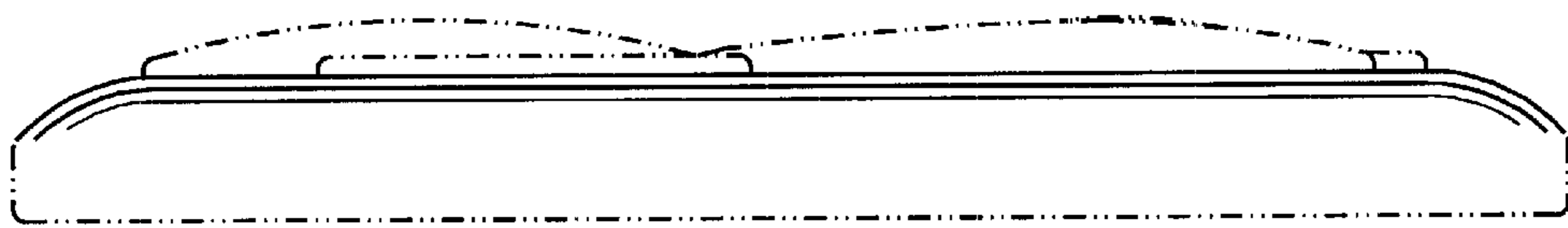


FIG. 7

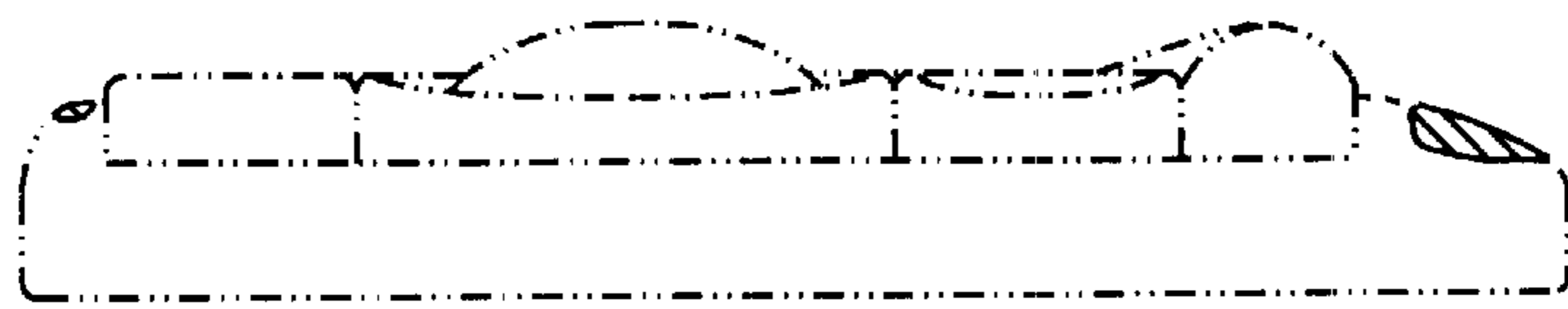


FIG. 8

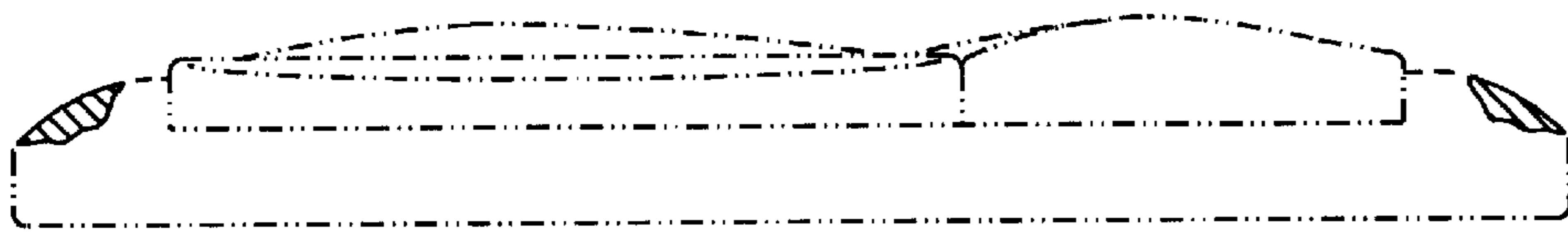


FIG. 9