



US00D464906S

(12) **United States Design Patent**  
**Dudenhoeffer**

(10) **Patent No.:** **US D464,906 S**

(45) **Date of Patent:** **\*\* Oct. 29, 2002**

(54) **EMERGENCY VEHICLE FACE PLATE**

(75) Inventor: **Mark J. Dudenhoeffer**, Kansas City, MO (US)

(73) Assignee: **Austin Hardware & Supply, Inc.**, Lee's Summit, MO (US)

(\*\*) Term: **14 Years**

(21) Appl. No.: **29/147,477**

(22) Filed: **Aug. 29, 2001**

(51) **LOC (7) Cl.** ..... **11-03**

(52) **U.S. Cl.** ..... **D11/95**

(58) **Field of Search** ..... D1/1, 2, 7, 11, D1/14, 40-41, 43-44, 47-49, 53, 55, 62, 63, 65-66, 68-70, 72-73, 75-77, 79-97, 99-101, 103, 108, 110, 112, 115; D3/211; 63/1.11, 1.14, 12, 13, 14.1, 18, 19, 20, 23; D21/604

(56) **References Cited**

**U.S. PATENT DOCUMENTS**

D39,848 S	*	3/1909	Bush	.....	D11/96
2,739,400 A	*	3/1956	Hieger	.....	D11/95
D234,854 S	*	4/1975	Allen	.....	D11/95
D234,855 S	*	4/1975	Allen	.....	D11/95
D317,398 S		6/1991	Hansen et al.		

**OTHER PUBLICATIONS**

Trademark Registration No. 2,286,762 CHICAGO FIRE & Design, Applicant Rodney Ashby, of Bailey, Colorado Issued Oct. 12, 1999.

Trademark Registration Application No. 75/382,195, CHICAGO FIRE & Design, Applicant Major League Soccer, L.L.C, ITU Allowed Sep. 15, 2000.

\* cited by examiner

*Primary Examiner*—Ralf Seifert

(74) *Attorney, Agent, or Firm*—Polsinelli Shalton & Welte, P.C.

(57) **CLAIM**

The ornamental design for an emergency vehicle face plate, as shown and described.

**DESCRIPTION**

FIG. 1 is a front view of an emergency vehicle face plate, showing a new design;

FIG. 2 is a back view of the emergency vehicle face plate shown in FIG. 1;

FIG. 3 is a side view of the emergency vehicle face plate shown in FIG. 1; and,

FIG. 4 is a top view of the emergency vehicle face plate shown in FIG. 1.

It being understood that the broken lines are for illustrative purposes only.

**1 Claim, 2 Drawing Sheets**

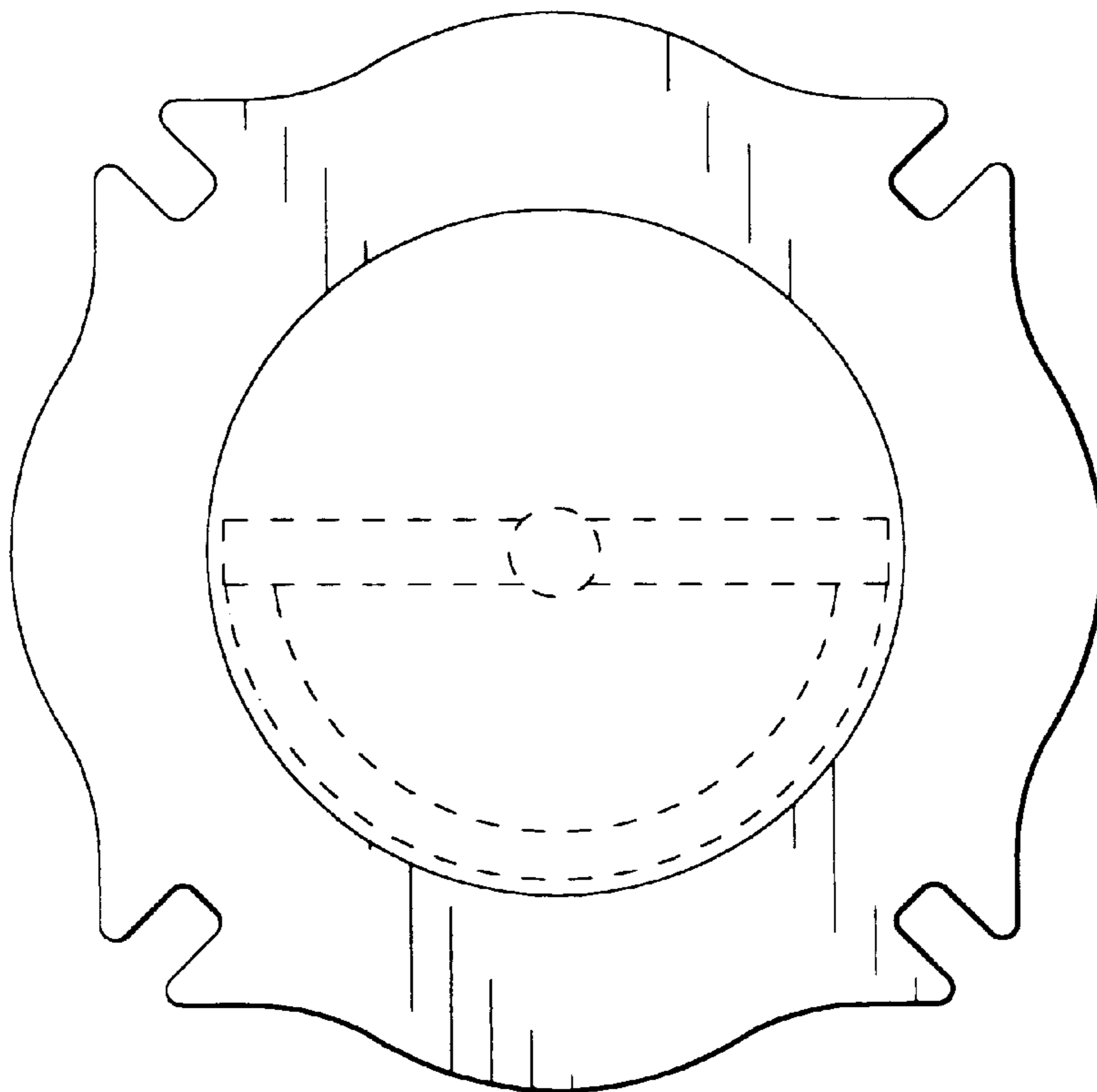


Fig. 1.

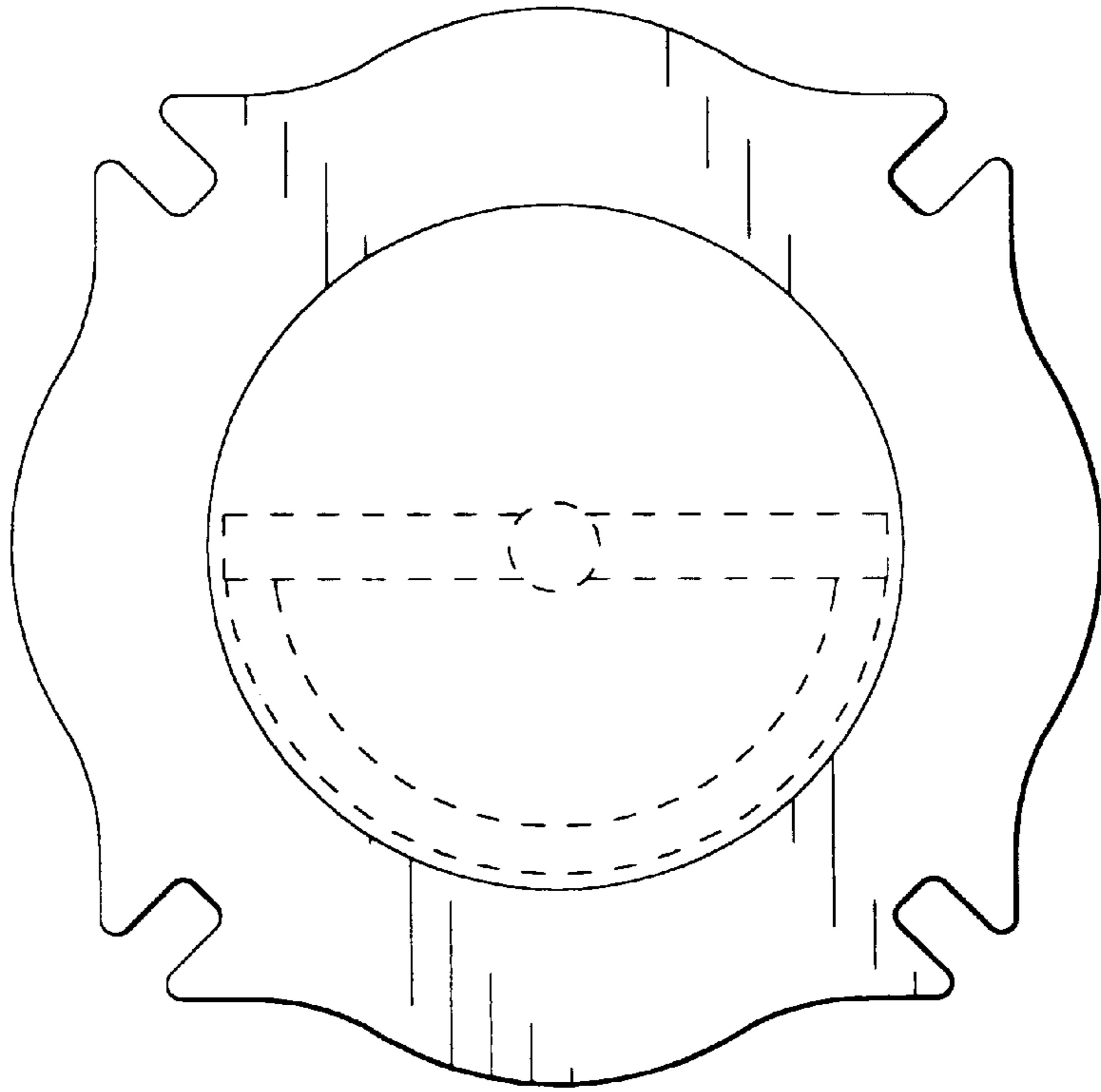


Fig. 3.

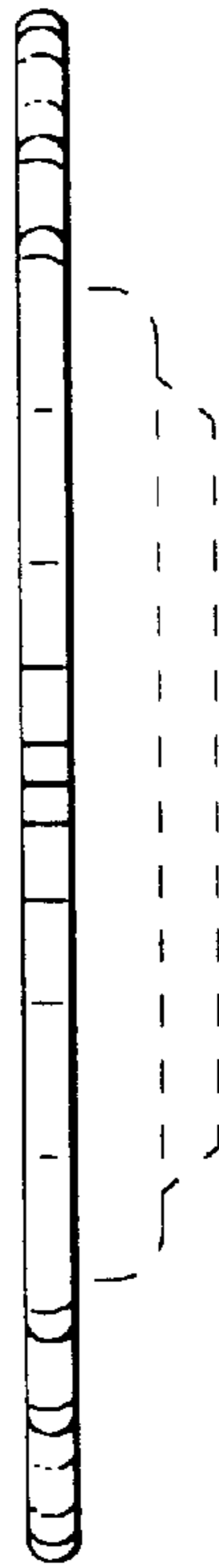


Fig. 2.

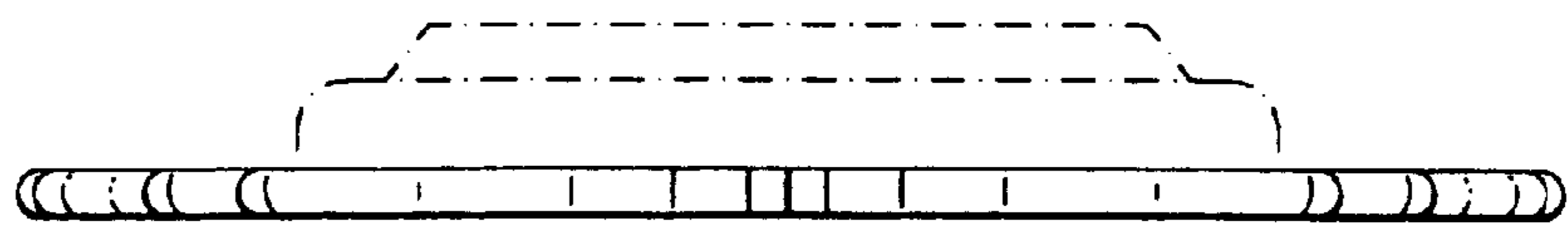
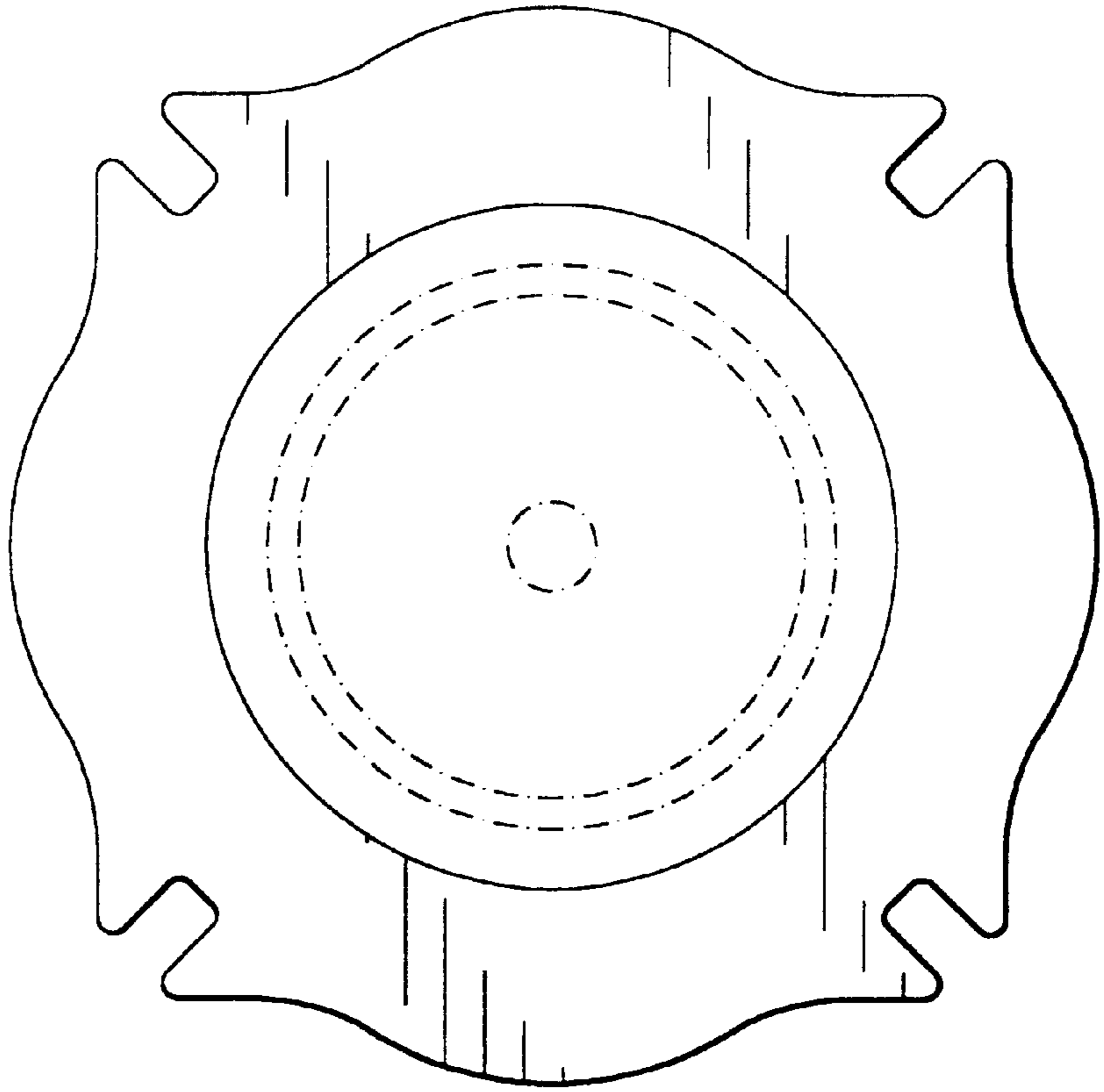


Fig. 4.