



US00D464903S

(12) **United States Design Patent**
Kahan

(10) **Patent No.:** **US D464,903 S**

(45) **Date of Patent:** **** Oct. 29, 2002**

(54) **BARREL LOCK WITH PUSH TAB**

FOREIGN PATENT DOCUMENTS

(75) Inventor: **Marvin Kahan**, Brooklyn, NY (US)

DE 62682 1/1892

(73) Assignee: **D&W Jewelry, Inc.**, New York, NY (US)

DE 207137 2/1909

(**) Term: **14 Years**

DE 686243 3/1965

FR 17346 8/1913

FR 0570156 4/1924

GB 22022 6/1908

(21) Appl. No.: **29/124,641**

* cited by examiner

(22) Filed: **Jun. 8, 2000**

Primary Examiner—Louis S. Zarfes

(51) **LOC (7) Cl.** **11-01**

Assistant Examiner—Barbara Wyatt Crawford

(52) **U.S. Cl.** **D11/87**

(74) *Attorney, Agent, or Firm*—Katten Muchin Zavis
Rosenman

(58) **Field of Search** D11/86, 87, 88,
D11/1, 2, 3, 200–202; D8/499, 331–333;
200/61.64, 61.65; 24/614–616, 589, 583,
574.1; 63/33, 20, 4

(57) **CLAIM**

The ornamental design for a barrel lock with push tab, as shown and described.

(56) **References Cited**

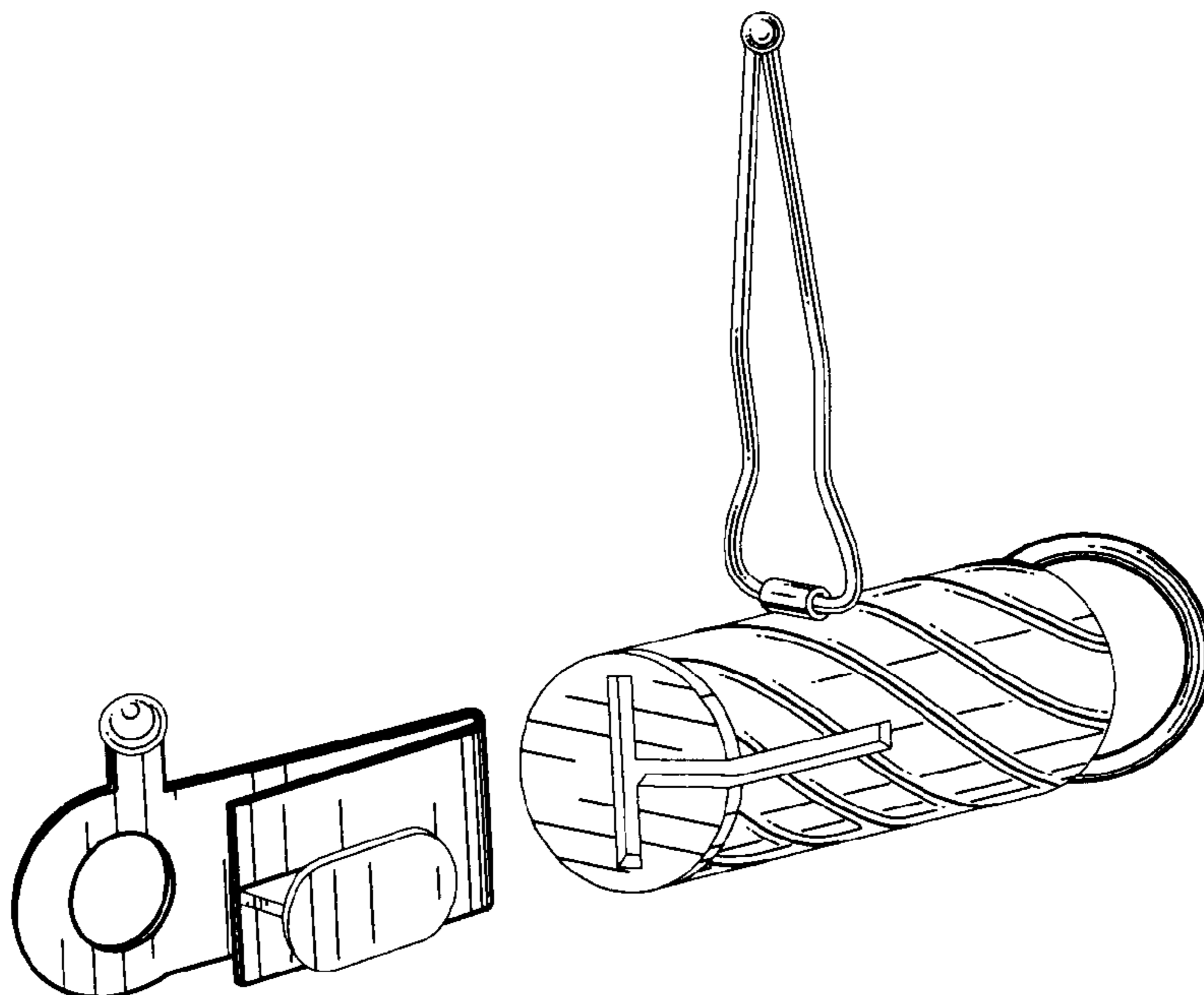
DESCRIPTION

U.S. PATENT DOCUMENTS

248,641 A	10/1881	Etzensperger	
393,222 A	11/1888	Elleau	
833,458 A	10/1906	Hausherr	
889,230 A	6/1908	Hoffman	
1,326,055 A	12/1919	Hirsch	
1,421,388 A	7/1922	Bippart	
1,472,192 A	10/1923	Nowak	
2,513,592 A	7/1950	Silverman	
3,543,356 A	12/1970	Zimmermann	
3,765,064 A	* 10/1973	Hooper et al.	D11/87
4,170,809 A	10/1979	Geldwerth et al.	
4,426,854 A	1/1984	Geldwerth et al.	
4,532,682 A	8/1985	Murao	
5,231,740 A	8/1993	Mohebkhosravi	

FIG. 1 is a left side view of the barrel lock with push tab of my new design.
FIG. 2 is a right side view of the barrel lock of FIG. 1.
FIG. 3 is a front edge view of the barrel lock of FIG. 1.
FIG. 4 is a rear edge view of the barrel lock of FIG. 1.
FIG. 5 is a top view of the barrel lock of FIG. 1.
FIG. 6 is a bottom view of the barrel lock of FIG. 1.
FIG. 7 is an isometric view of the barrel lock of FIGS. 1–6; and,
FIG. 8 is an exploded view of the barrel lock of FIG. 7.

1 Claim, 2 Drawing Sheets



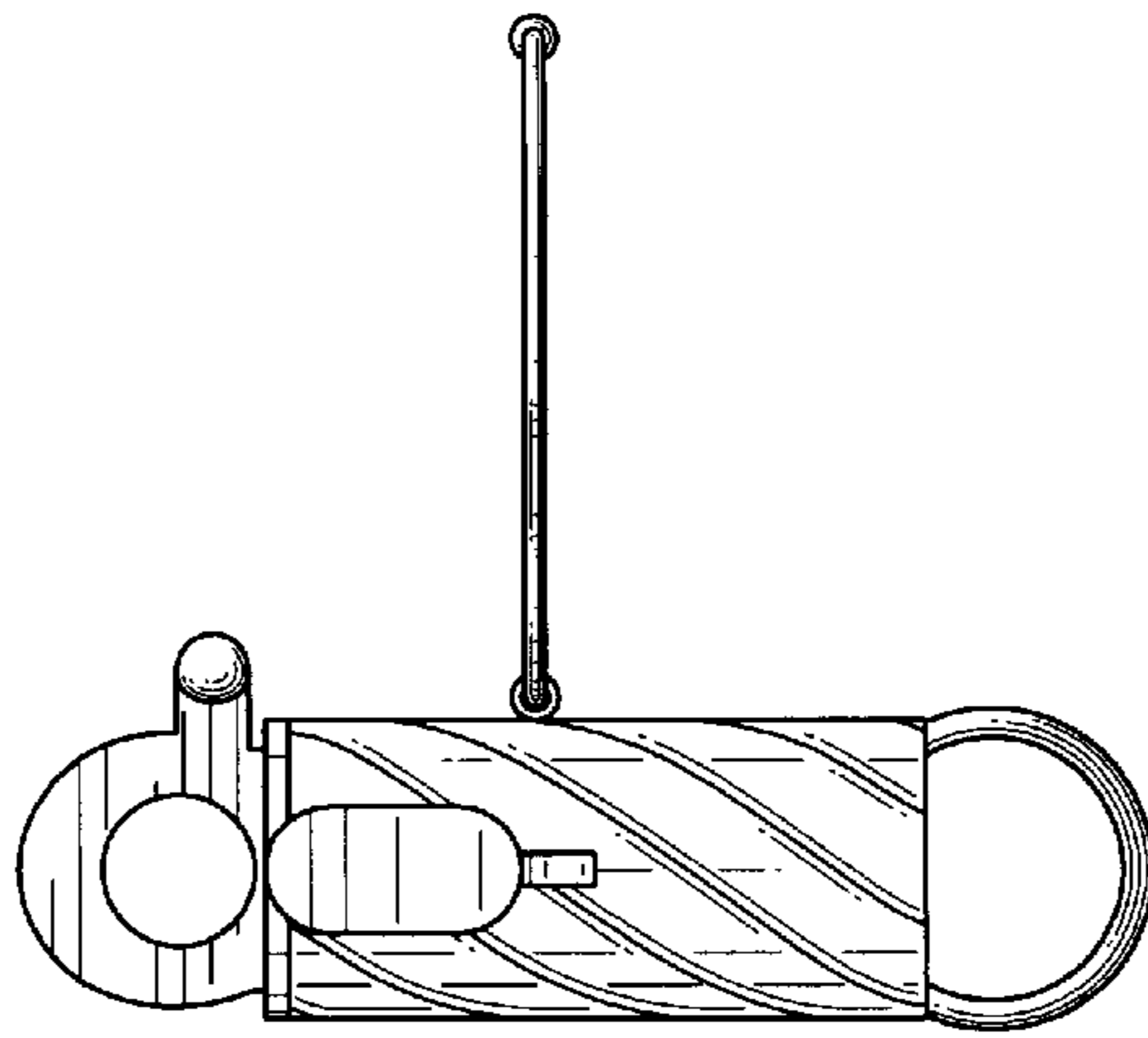


FIG. 1

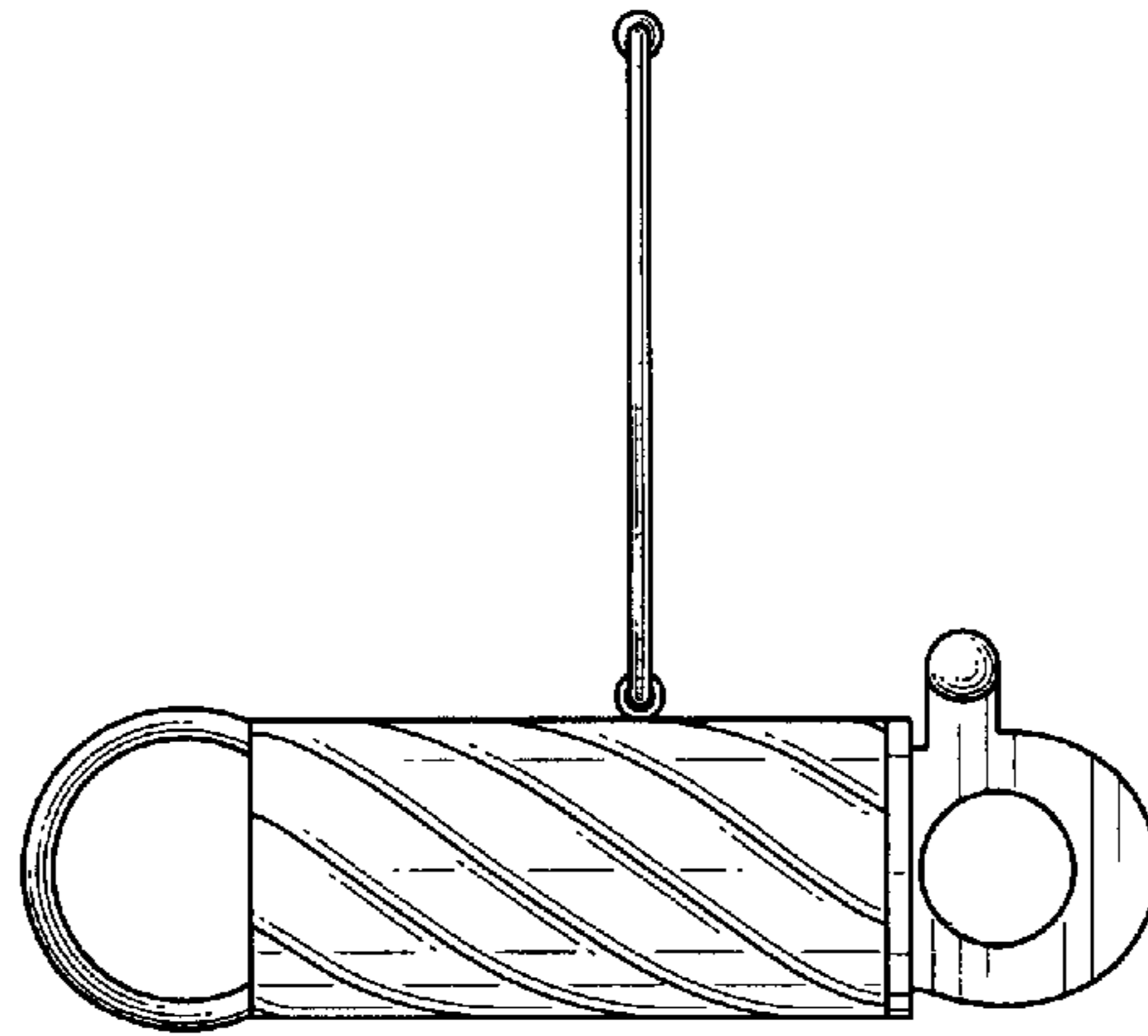


FIG. 2

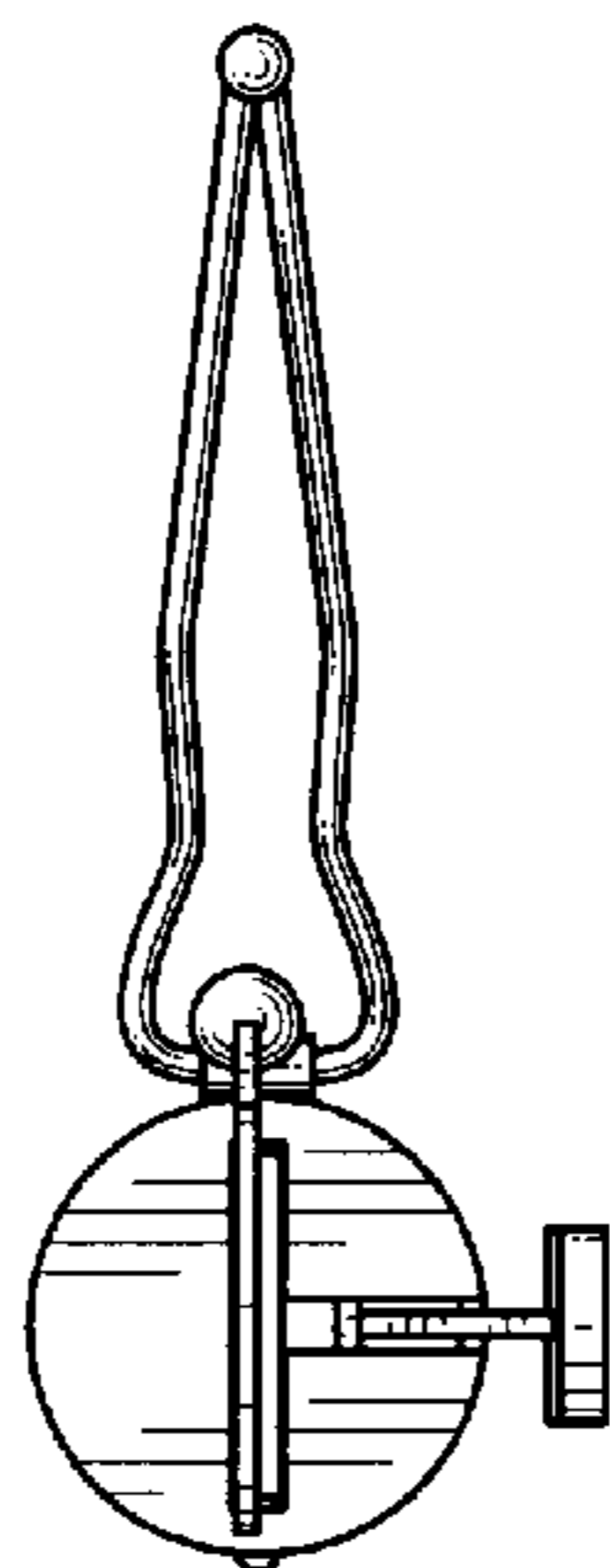


FIG. 3

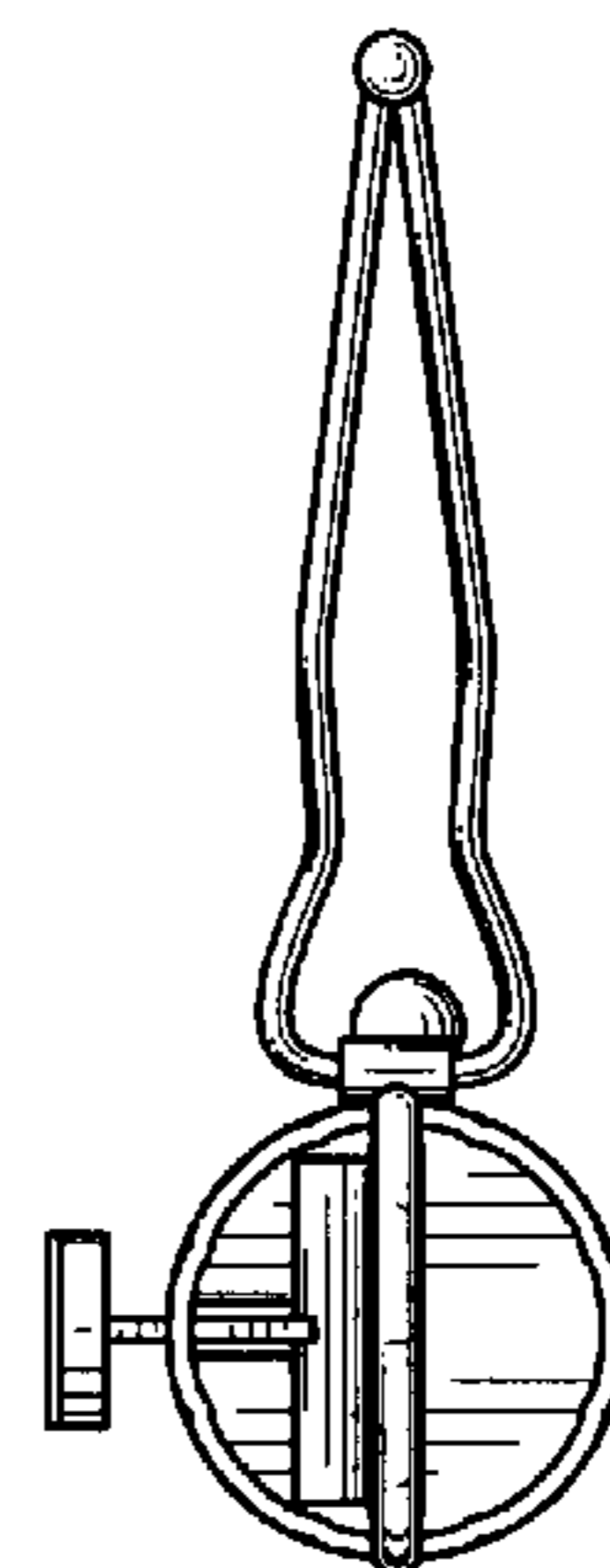


FIG. 4

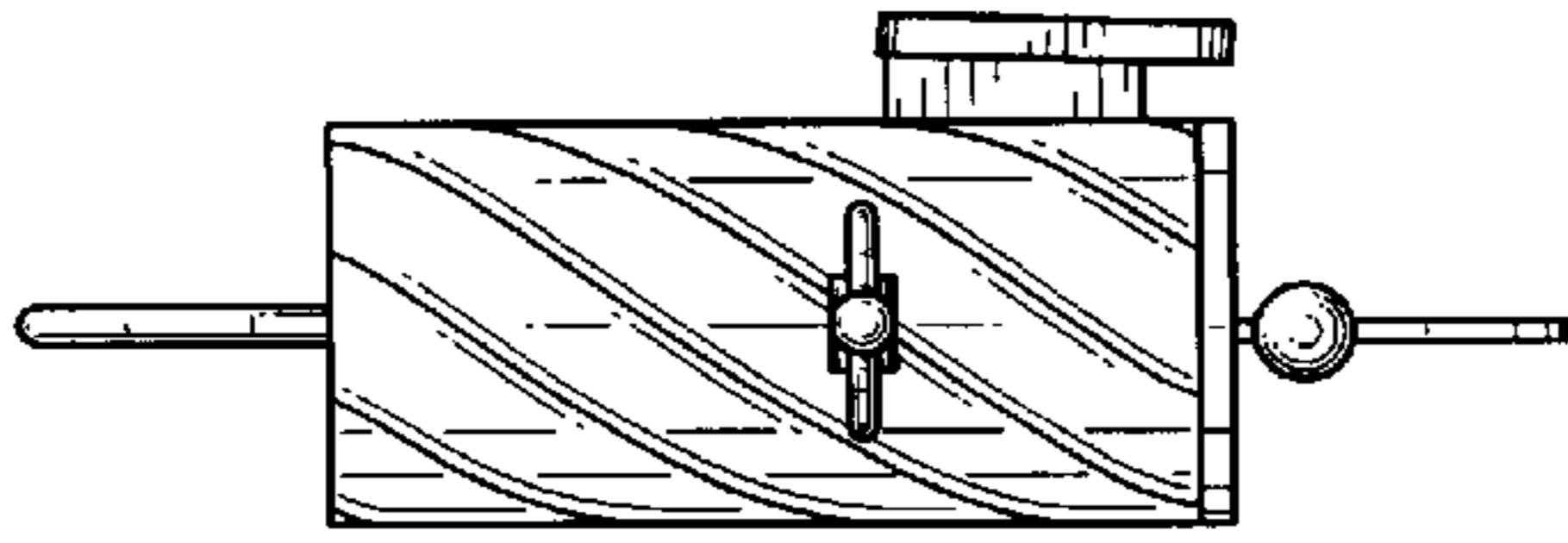


FIG. 5

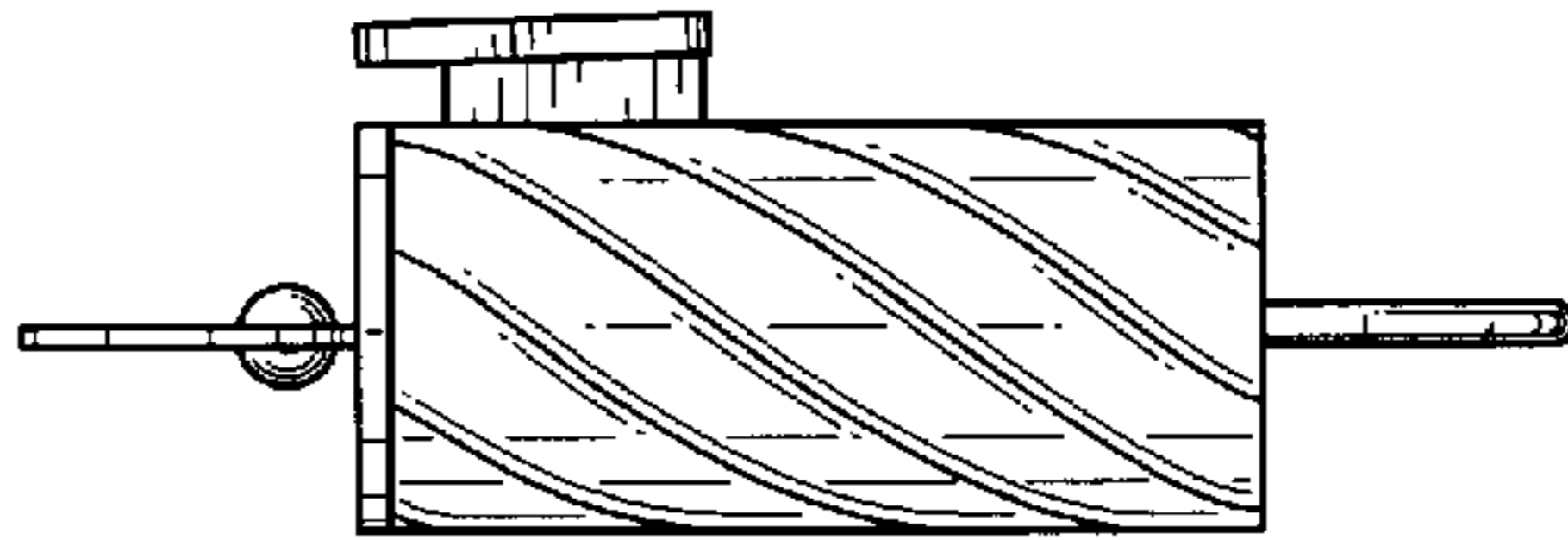


FIG. 6

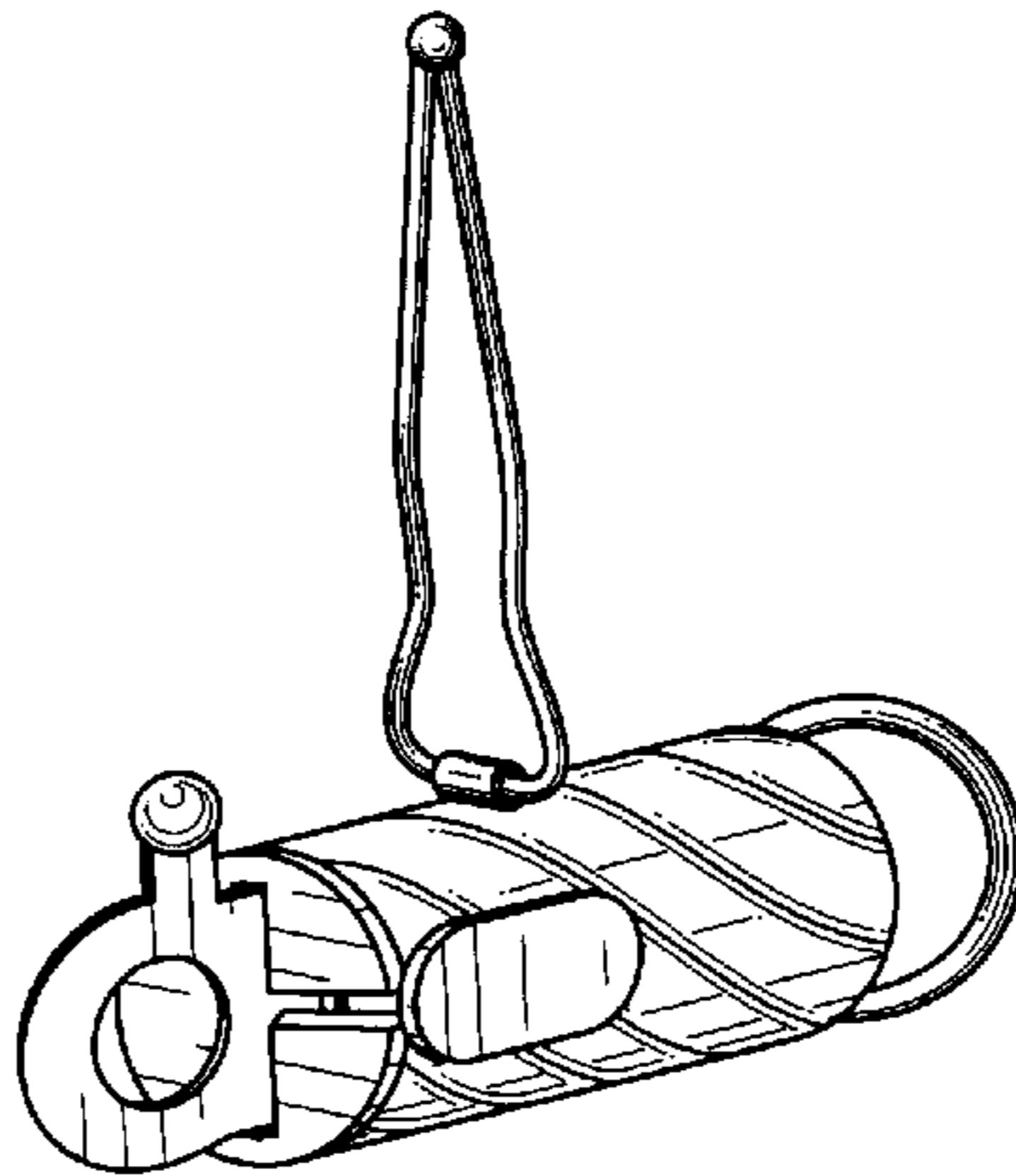


FIG. 7

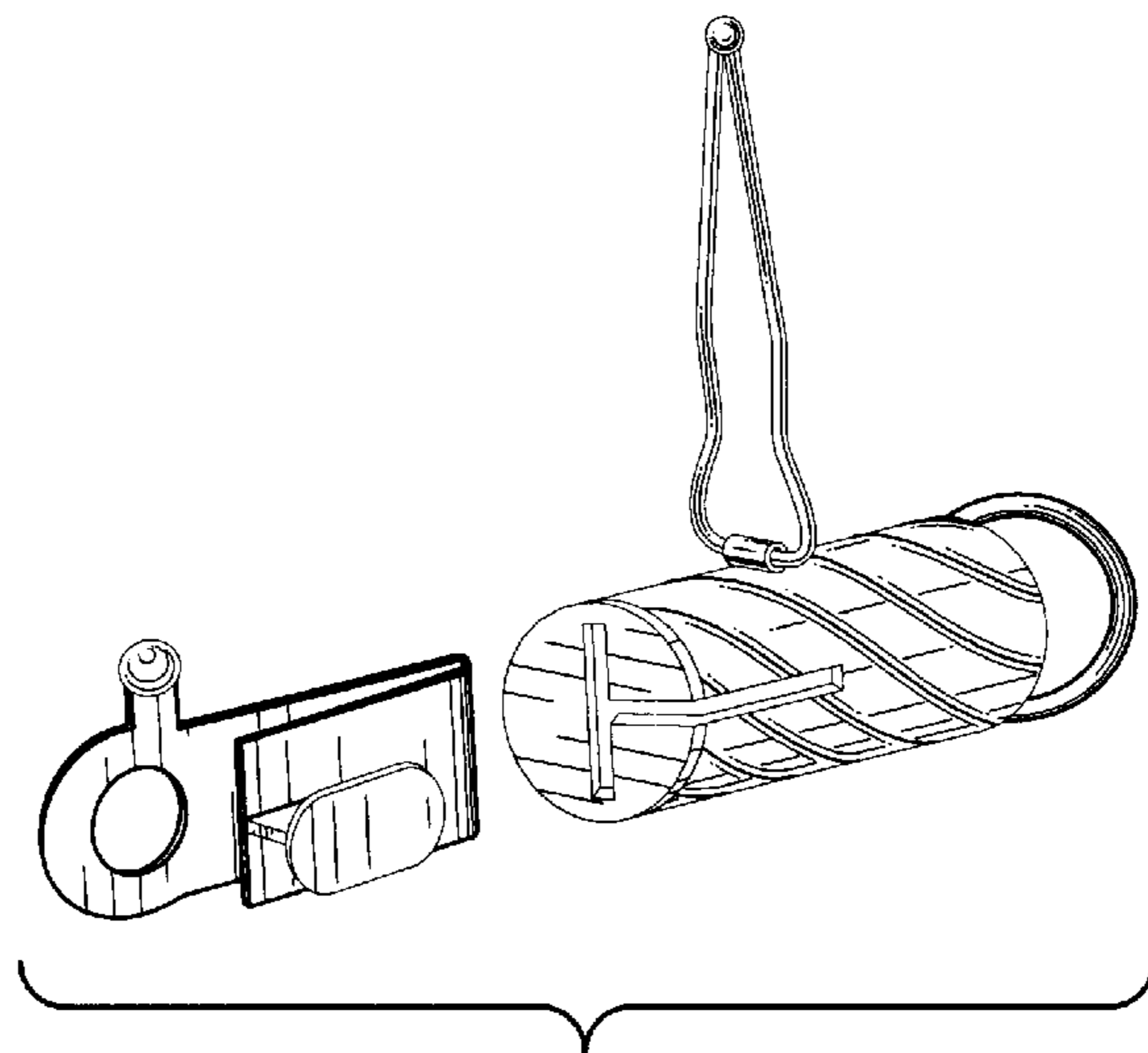


FIG. 8