



US00D464901S

(12) **United States Design Patent**
Lomax

(10) **Patent No.:** **US D464,901 S**

(45) **Date of Patent:** **** Oct. 29, 2002**

(54) **RING**

(76) **Inventor:** **Evelyn Lomax**, 112A Bayview Ave.,
Jersey City, NJ (US) 07305

(**) **Term:** **14 Years**

(21) **Appl. No.:** **29/148,854**

(22) **Filed:** **Sep. 28, 2001**

(51) **LOC (7) Cl.** **11-01**

(52) **U.S. Cl.** **D11/30**

(58) **Field of Search** D11/26-39, 3,
D11/4, 74, 56, 48, 98; 63/15, 15.1, 15.2,
15.3, 15.4, 15.45, 15.5, 15.6, 15.65, 15.7,
15.8, 15.9, 3, 26-28

(56) **References Cited**

U.S. PATENT DOCUMENTS

| | | |
|-------------|---------|----------|
| 784,823 A | 3/1905 | Whitsett |
| D129,851 S | 10/1941 | Philippe |
| D136,344 S | 9/1943 | Klein |
| D153,203 S | 3/1949 | Bergman |
| D163,425 S | 5/1951 | Simpson |
| D164,165 S | 8/1951 | Grant |
| D174,084 S | 2/1955 | Katz |
| D197,798 S | 3/1964 | Nolen |
| D197,804 S | 3/1964 | Nolen |
| D197,807 S | 3/1964 | Nolen |
| 4,033,143 A | 7/1977 | Michael |
| D262,271 S | 12/1981 | Barr |

| | | |
|-------------|----------|----------------------------|
| D292,559 S | 11/1987 | Enock |
| 4,742,695 A | 5/1988 | Elsener |
| D300,731 S | 4/1989 | Flinchbaugh |
| D309,277 S | 7/1990 | Mejias |
| 5,044,175 A | 9/1991 | Razza |
| 5,080,518 A | 1/1992 | Mason |
| D332,419 S | 1/1993 | Maskell |
| 5,339,656 A | 8/1994 | Hieber |
| D378,904 S | 4/1997 | Sciuto |
| D392,912 S | 3/1998 | Roos et al. |
| D394,822 S | * 6/1998 | Swenson et al. D11/77 |
| D455,978 S | * 4/2002 | Brown D11/98 |

* cited by examiner

Primary Examiner—Cathy Anne MacCormac

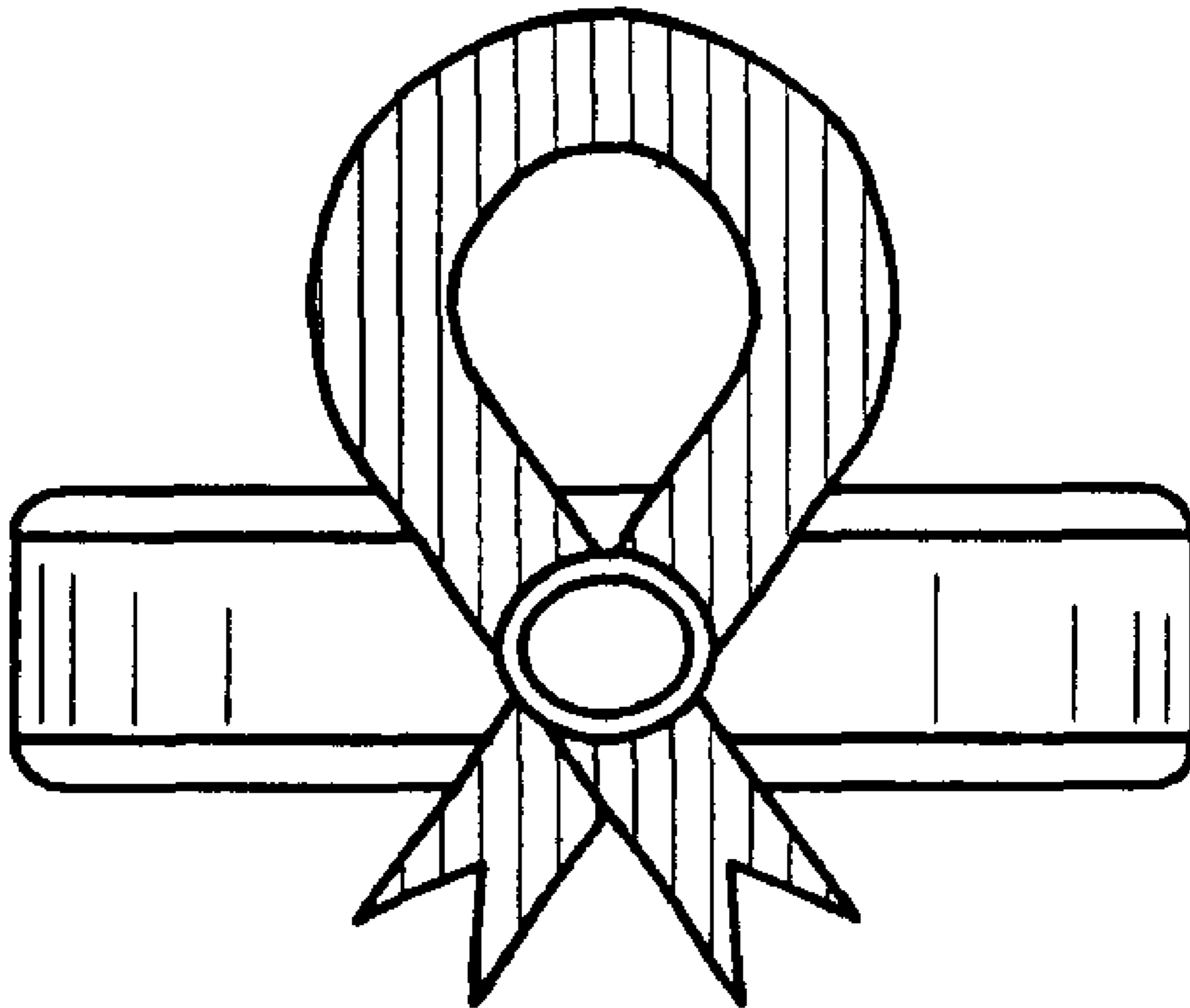
(57) **CLAIM**

The ornamental design for a ring, as shown and described.

DESCRIPTION

FIG. 1 is a front elevational view of a ring;
FIG. 2 is a rear elevational view thereof;
FIG. 3 is a left side elevational view thereof;
FIG. 4 is a right side elevational view thereof;
FIG. 5 is a top plan view thereof;
FIG. 6 is a bottom plan view thereof; and,
FIG. 7 is a bottom, front, right side perspective view thereof.
The broken lines in FIG. 7 of a hand are for illustrative
purposes only and form no part of the claimed design.

1 Claim, 5 Drawing Sheets



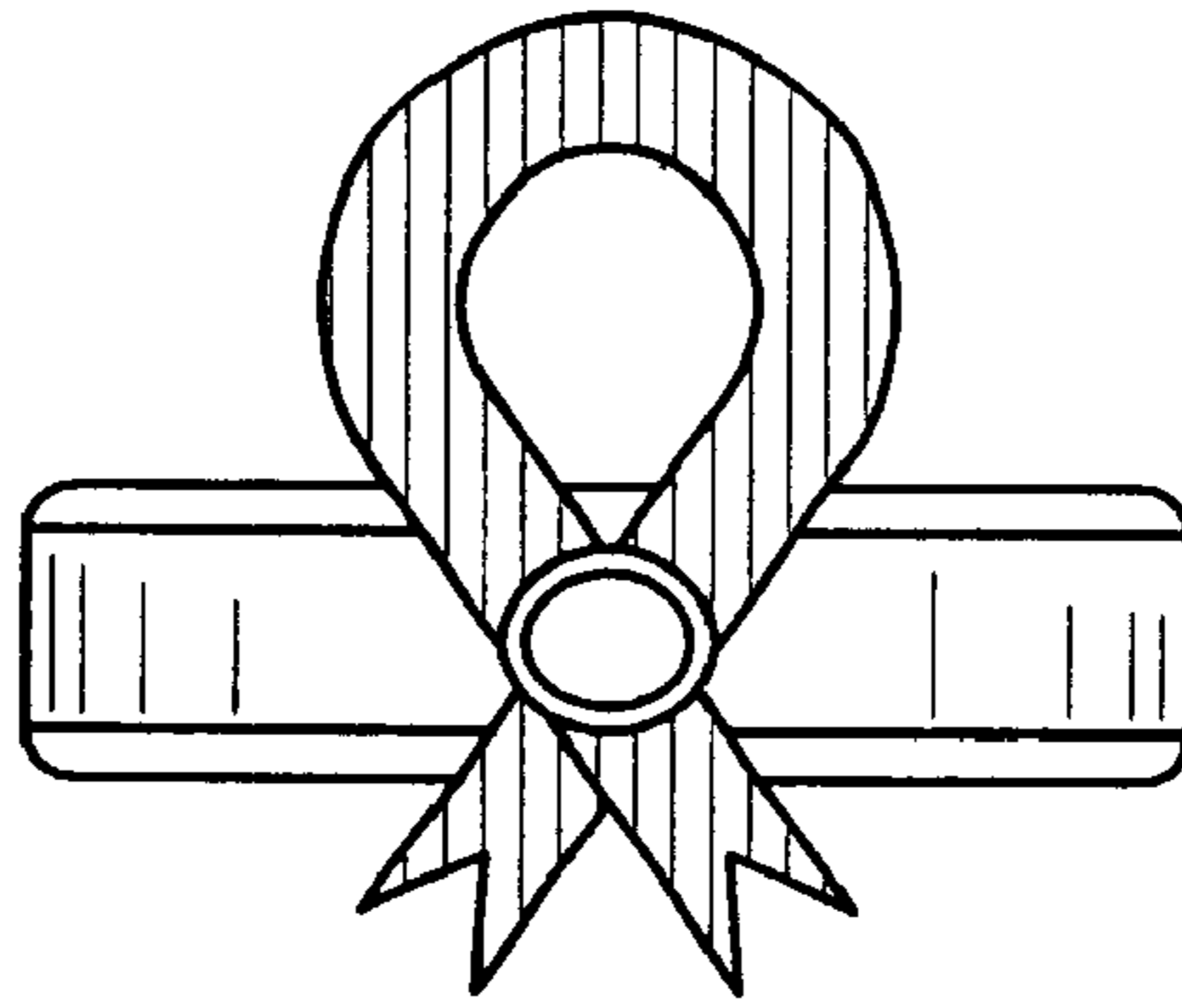


Fig. 1

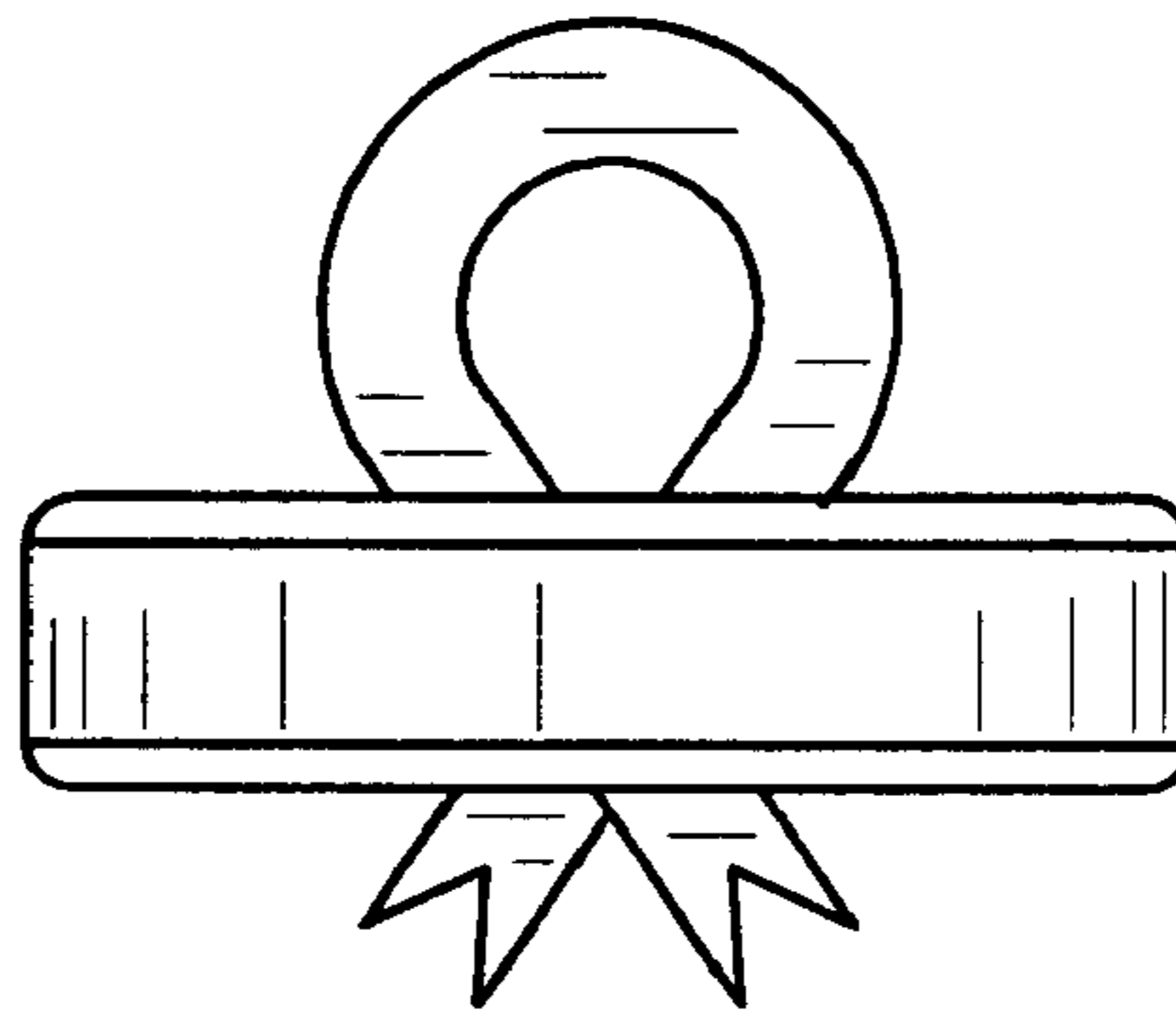


Fig. 2

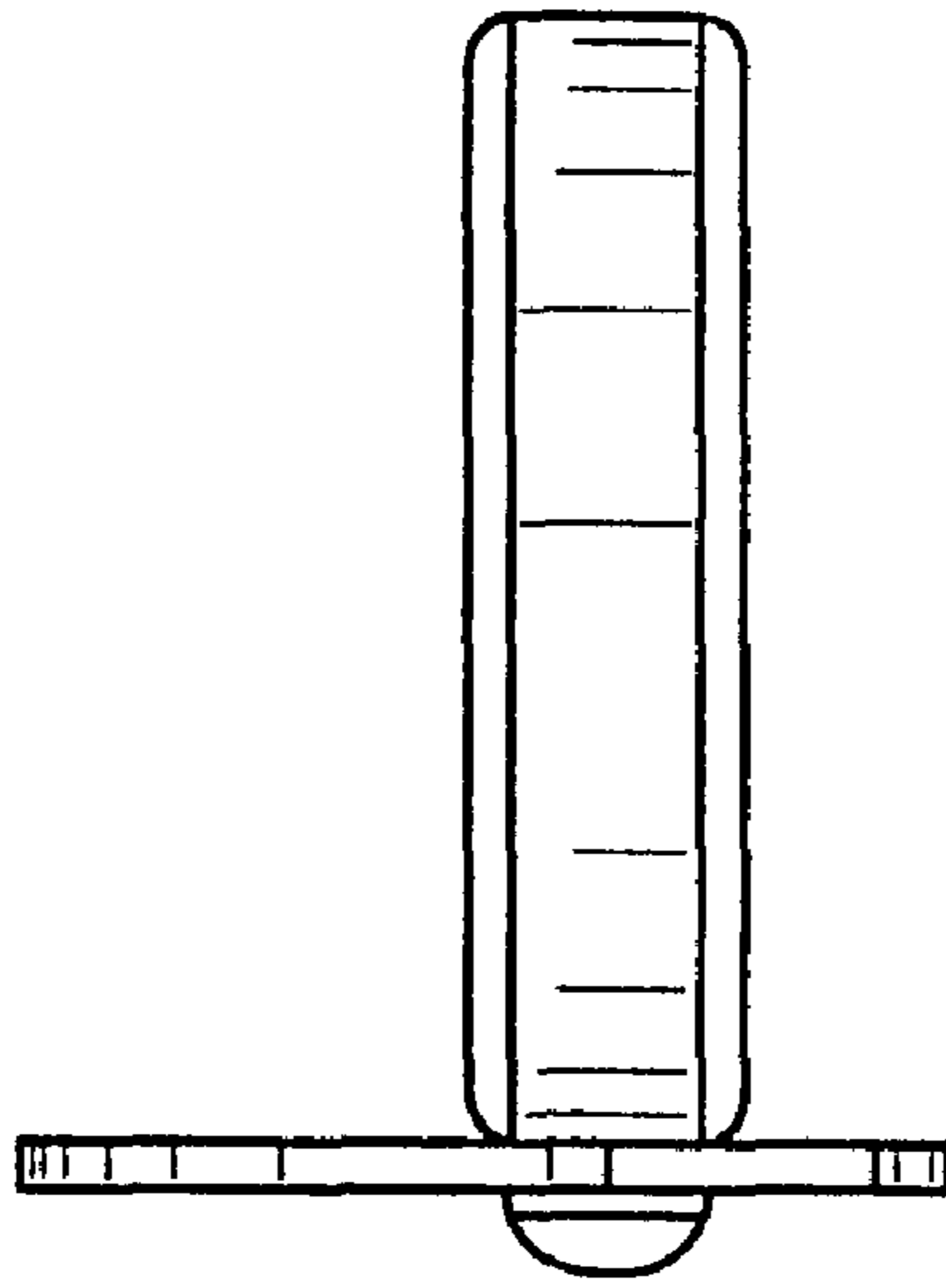


Fig. 4

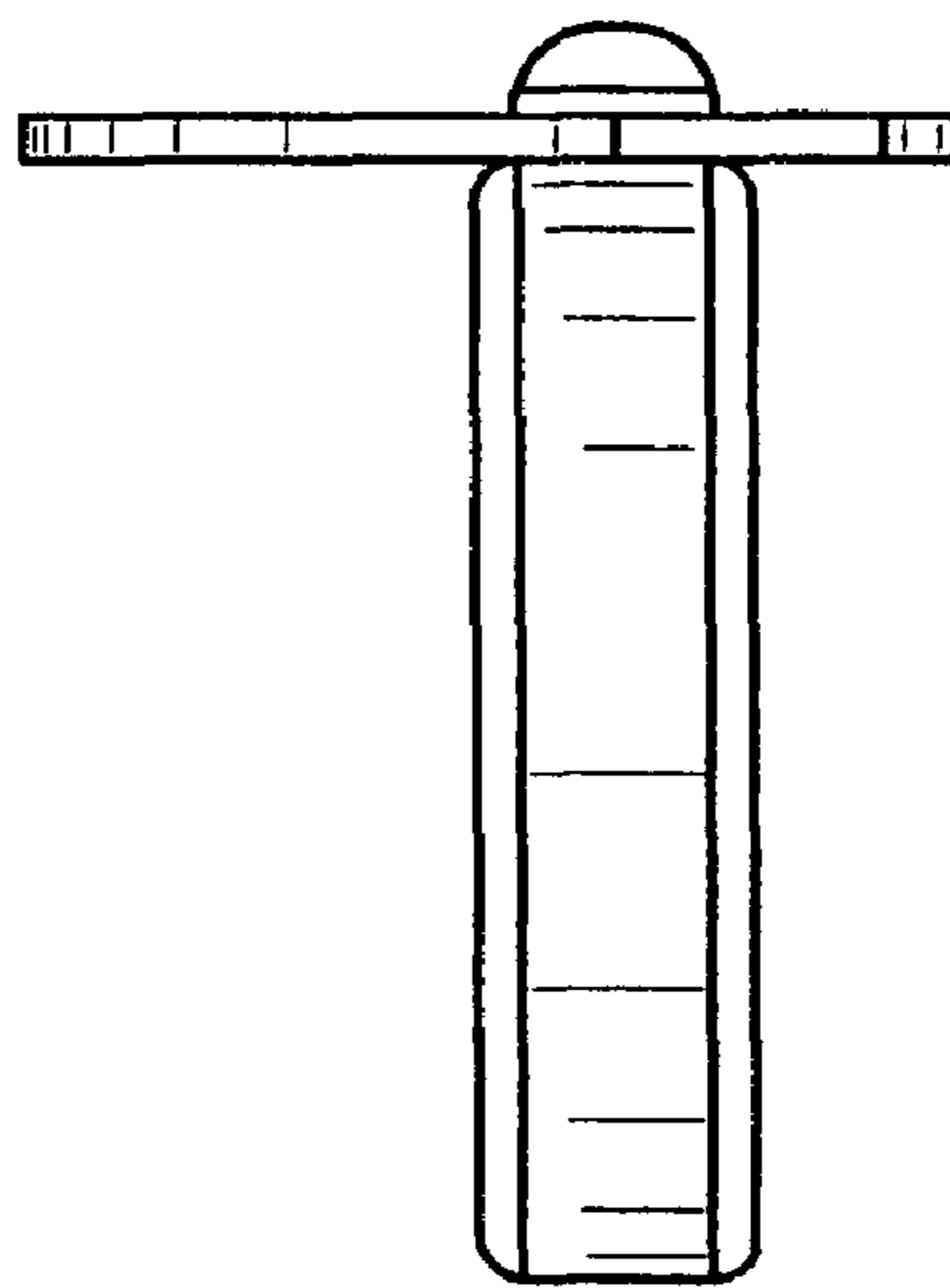


Fig. 3

Fig. 5

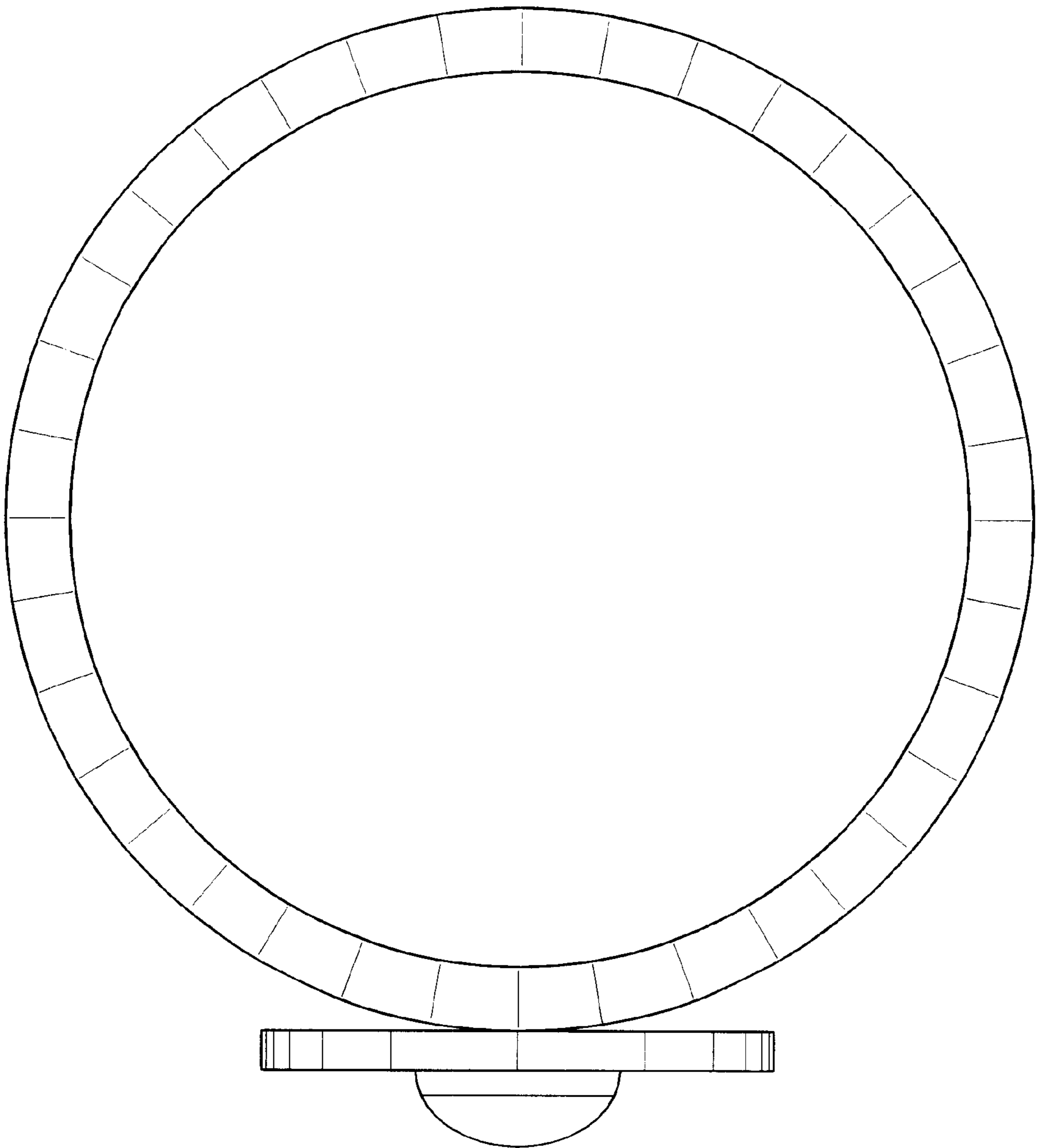
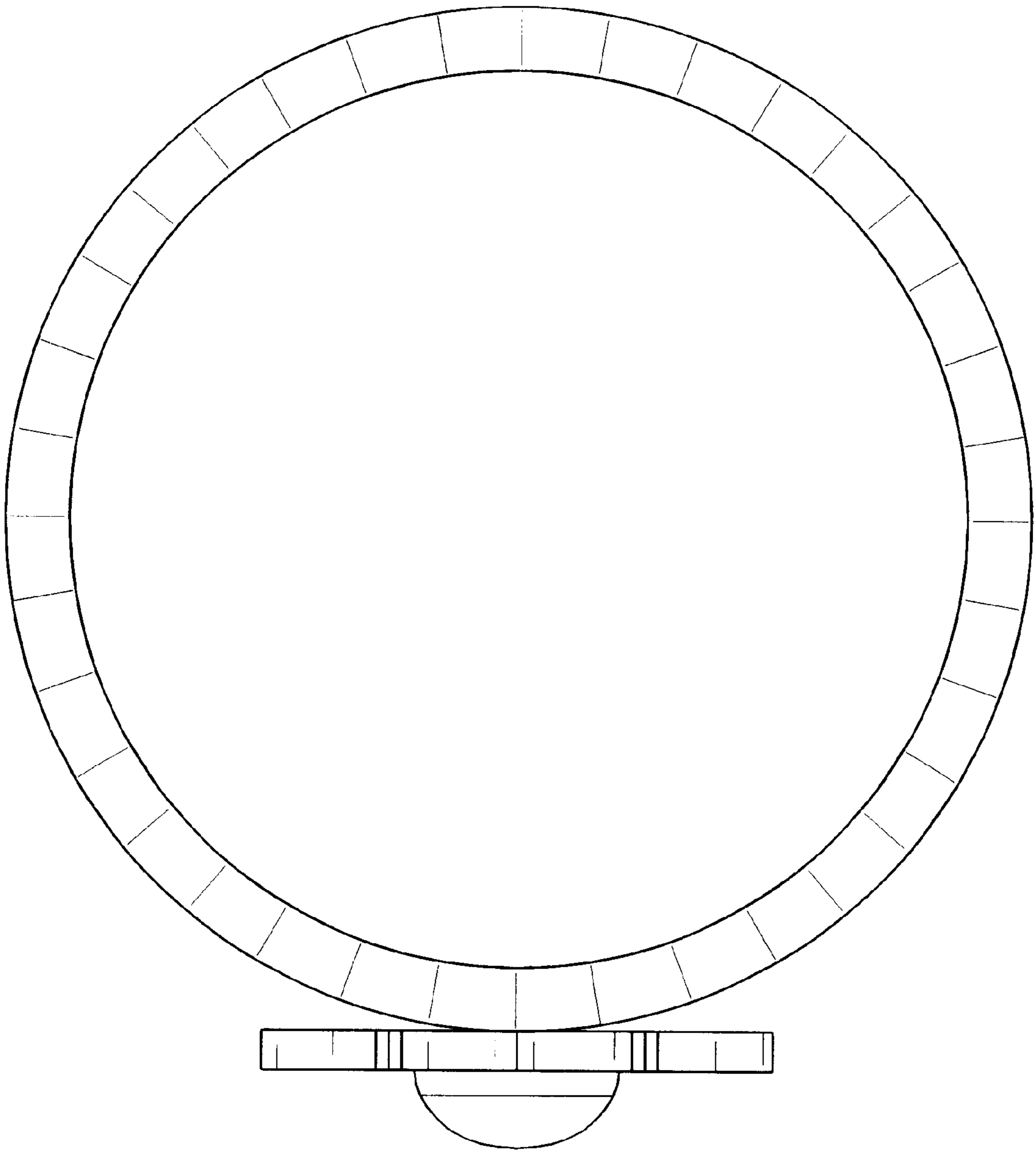


Fig. 6



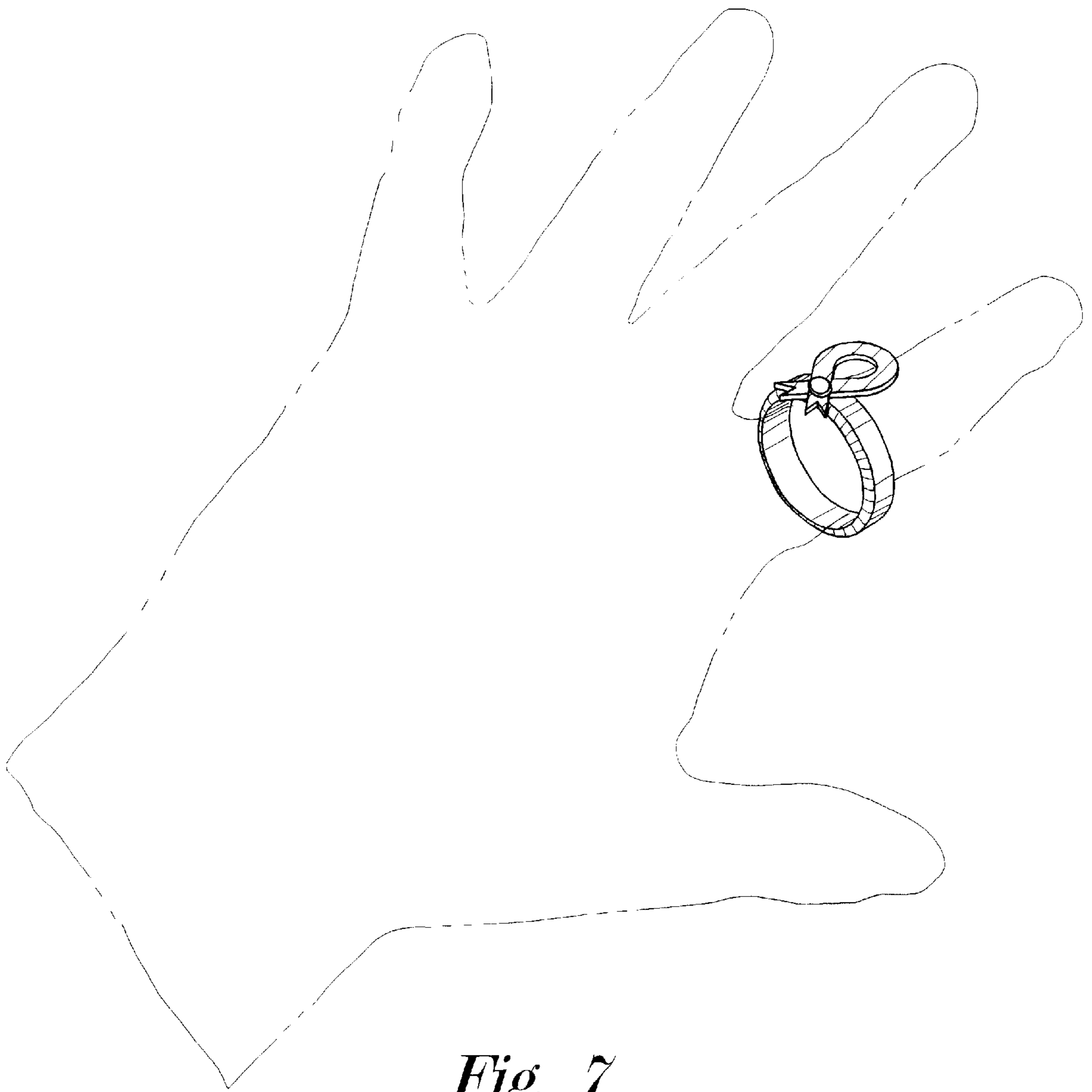


Fig. 7