



US00D464900S

(12) **United States Design Patent**  
**Repossi**

(10) **Patent No.:** **US D464,900 S**

(45) **Date of Patent:** **\*\* Oct. 29, 2002**

(54) **RING**

(75) Inventor: **Alberto Reposi**, Monaco (MC)

(73) Assignee: **Societe Civile G.A.R.**, Monaco (MC)

(\*\*) Term: **14 Years**

(21) Appl. No.: **29/135,201**

(22) Filed: **Jan. 5, 2001**

(30) **Foreign Application Priority Data**

Jul. 6, 2000 (XH) ..... DM/052 838

(51) **LOC (7) Cl.** ..... **11-01**

(52) **U.S. Cl.** ..... **D11/26**

(58) **Field of Search** ..... D11/26-39, 3,  
D11/4; 63/15, 15.1, 15.2, 15.3, 15.4, 15.45,  
15.5, 15.6, 15.65, 15.7, 15.8, 15.9, 26-28,  
3

(56) **References Cited**

**U.S. PATENT DOCUMENTS**

- D53,040 S \* 3/1919 Krope ..... D11/39
- 1,422,819 A \* 7/1922 Blaicher ..... 63/15
- D71,323 S \* 10/1926 Bornkessel ..... D11/34
- D83,453 S \* 2/1931 Krasnow ..... D11/38
- D225,367 S \* 12/1972 Higgins ..... D11/37
- D374,836 S \* 10/1996 Weiss ..... D11/26
- D438,486 S \* 3/2001 Ghemati ..... D11/26

**OTHER PUBLICATIONS**

Platinum Guild International USA; Platinum Edition VII catalog; 1999; p. 46; rings center/right on page; bands with bezel set gem stones.\*

Platinum Guild International USA; Platinum Edition VII catalog; 1999; p. 55; ring bottom of page.\*

Platinum Guild International USA; Platinum Edition VII catalog; 1999; p. 85; right right side of page.\*

Platinum Guild International USA; Platinum Edition VII catalog; 1999; p. 66; right center of page.\*

Platinum Guild International USA; Platinum Edition VII catalog; 1999; p. 142; center/right on page.\*

Platinum Guild International USA; Platinum Edition VII catalog; 1999; p. 149; center/bottom on page.\*

Platinum Guild International USA; Platinum Edition VI catalog; 1998; p. 105; rings top/right and bottom/left on page.\*

Platinum Guild International USA; Platinum Edition VI catalog; 1998; p. 83; ring center on page.\*

Platinum Guild International USA; Platinum Edition VI ; 1998; p. 79; ring center on page.\*

\* cited by examiner

*Primary Examiner*—Cathy Anne MacCormac

(74) *Attorney, Agent, or Firm*—Collen IP; Robert McDermott, Esq.

(57) **CLAIM**

The ornamental design for a ring, as shown and described.

**DESCRIPTION**

FIG. 1 is a front view of my new and ornamental design for a ring;

FIG. 2 is a rear view thereof;

FIG. 3 is a left side view thereof;

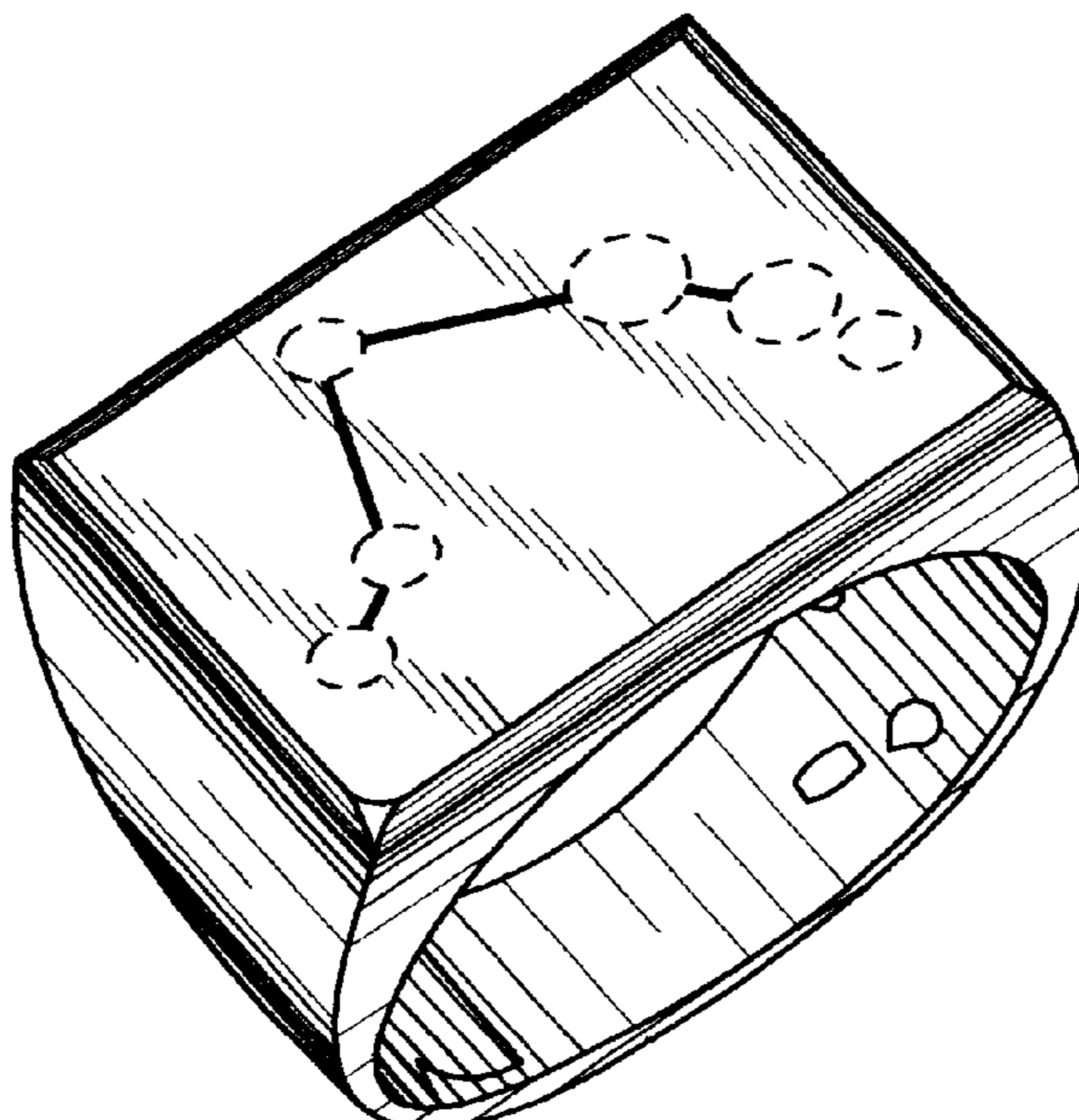
FIG. 4 is a right side view thereof;

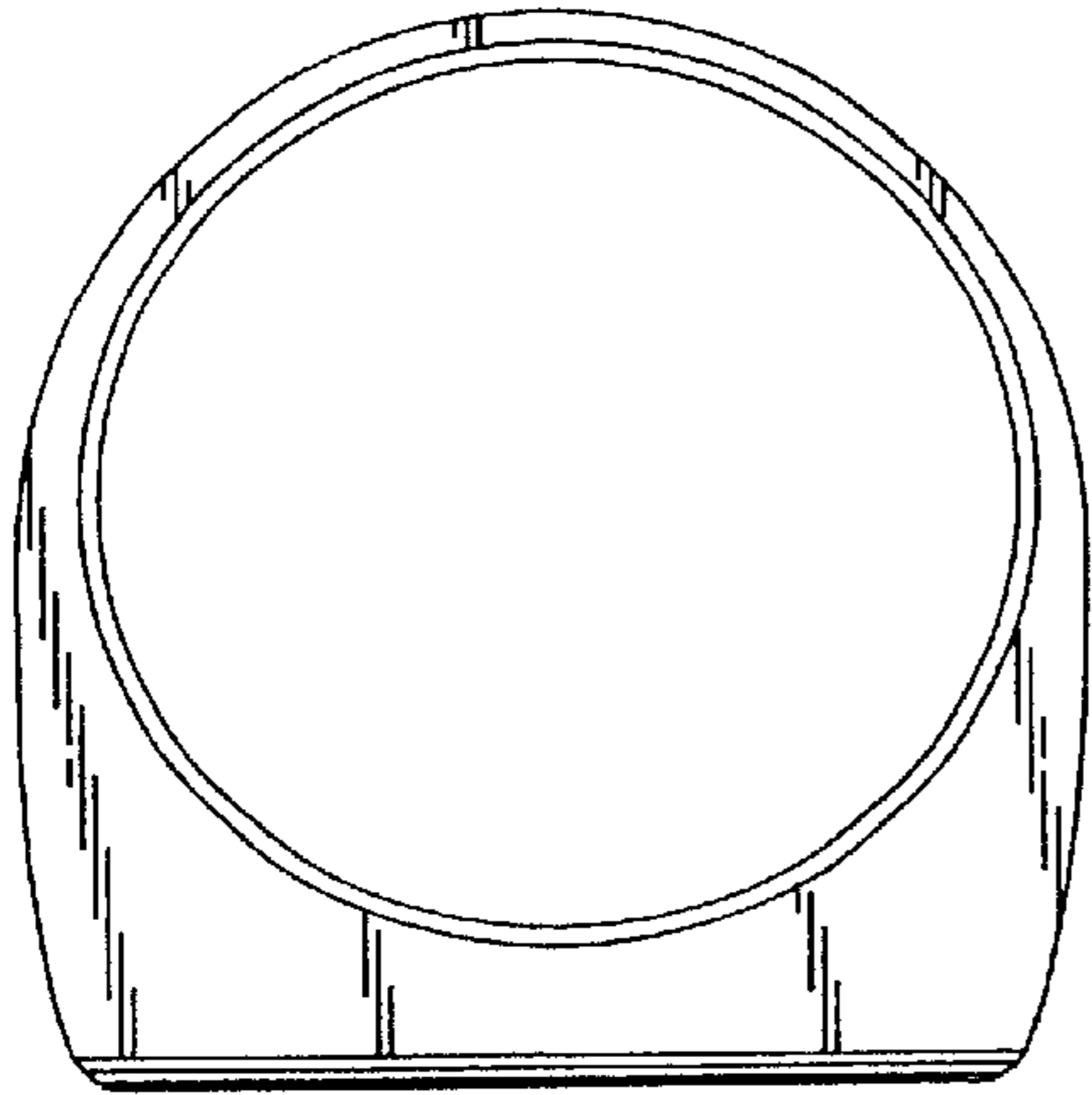
FIG. 5 is a top plan view thereof;

FIG. 6 is a bottom view thereof; and,

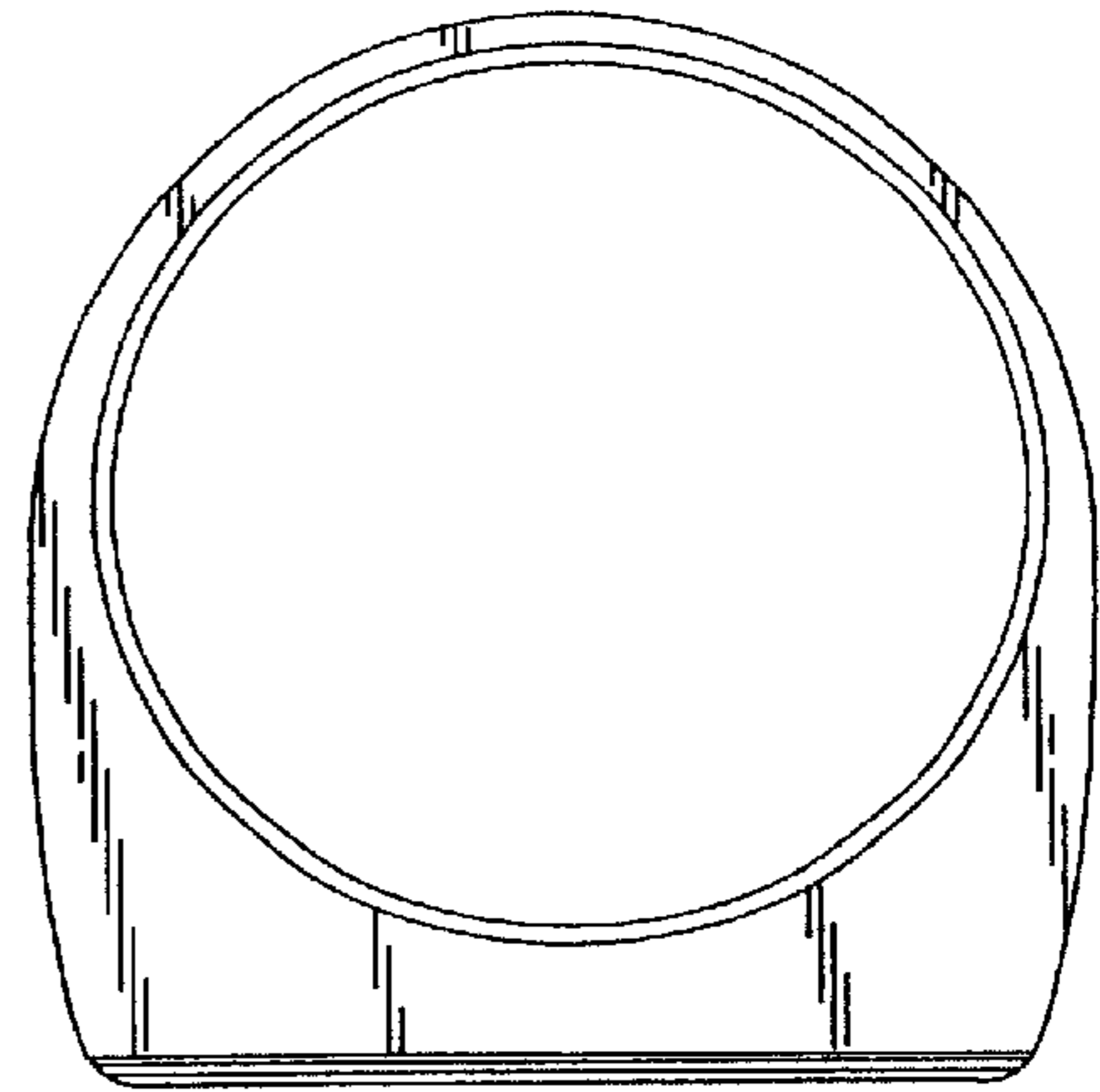
FIG. 7 is a top perspective view thereof.

**1 Claim, 2 Drawing Sheets**

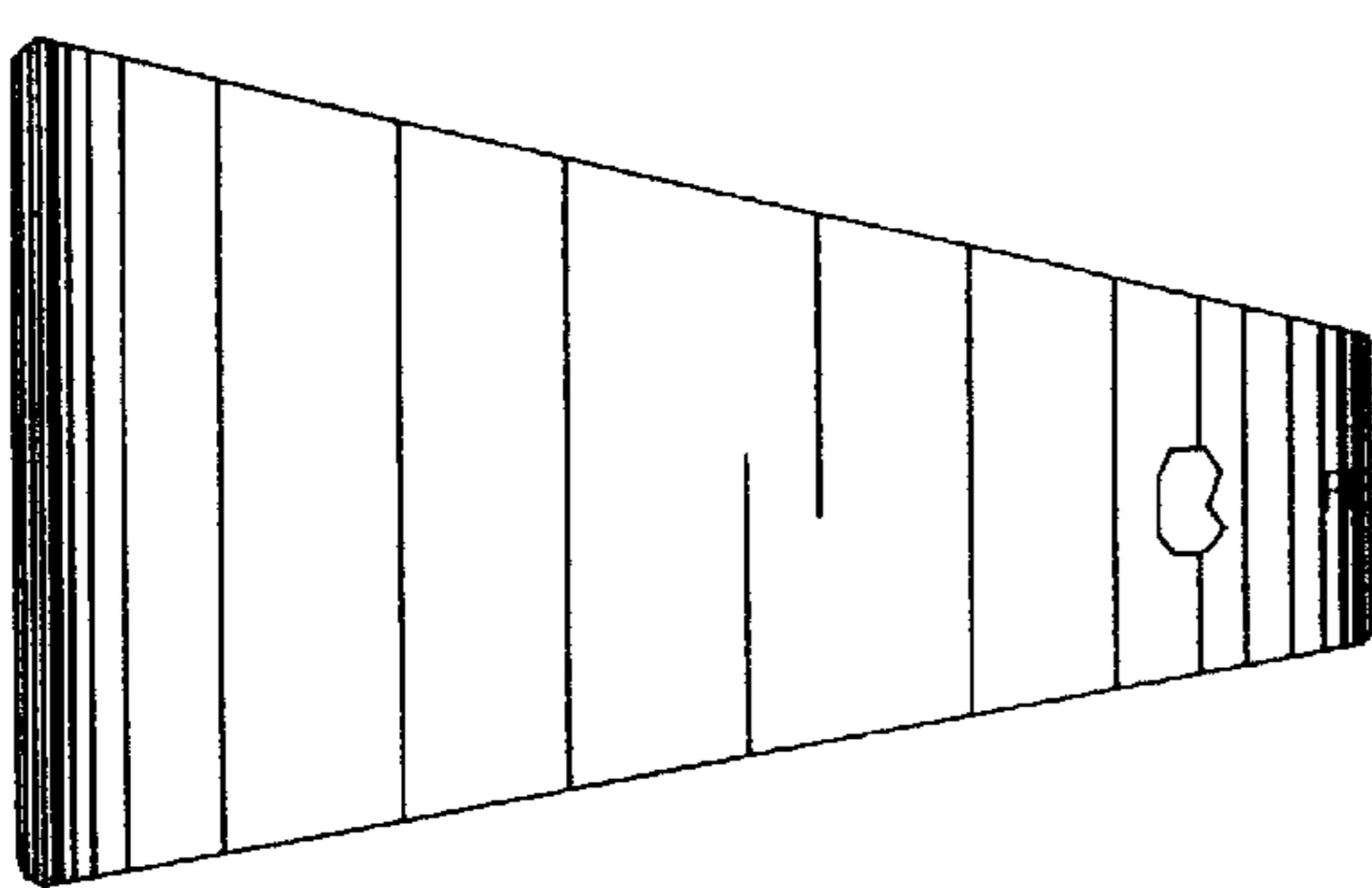




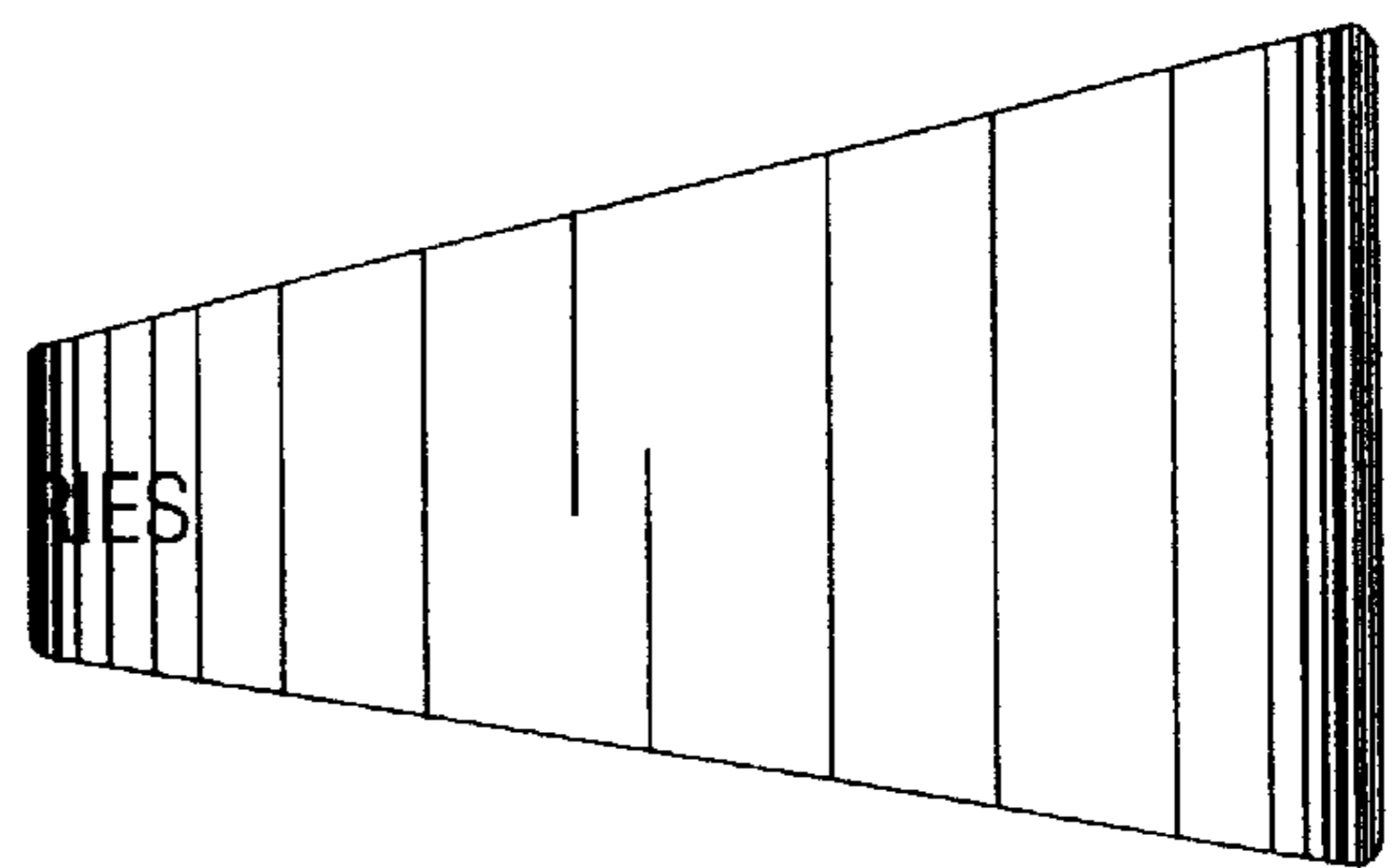
*Fig. 1*



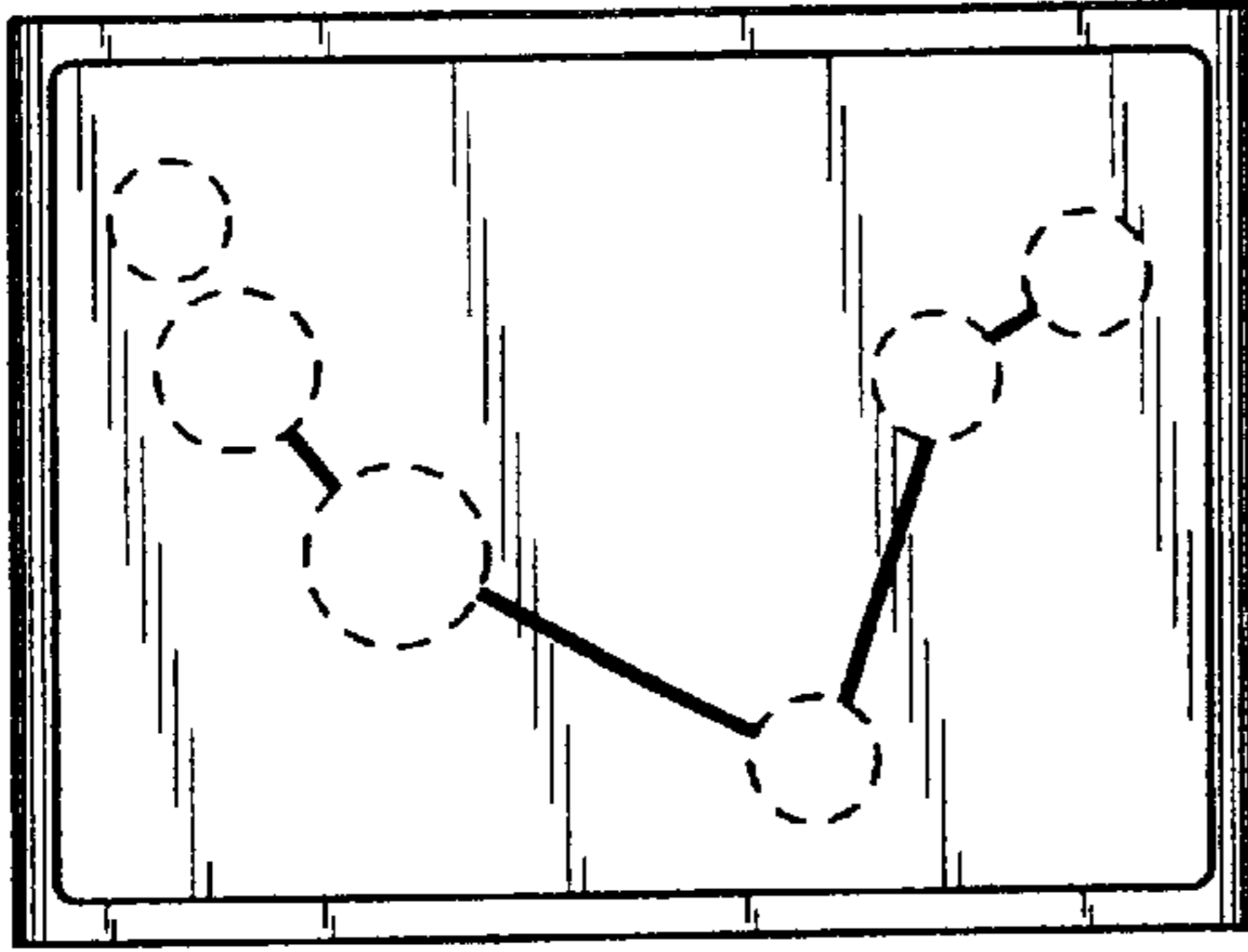
*Fig. 2*



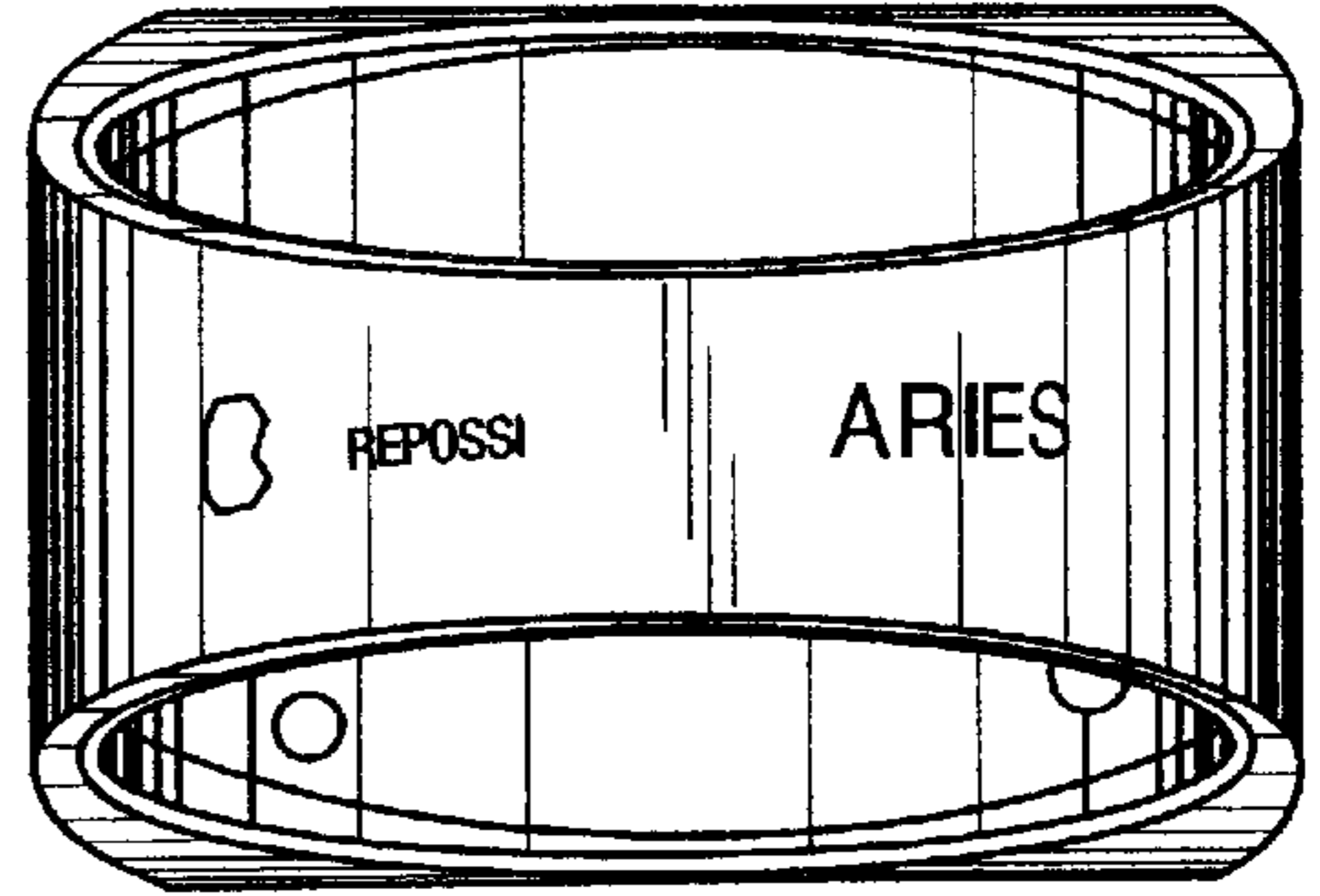
*Fig. 3*



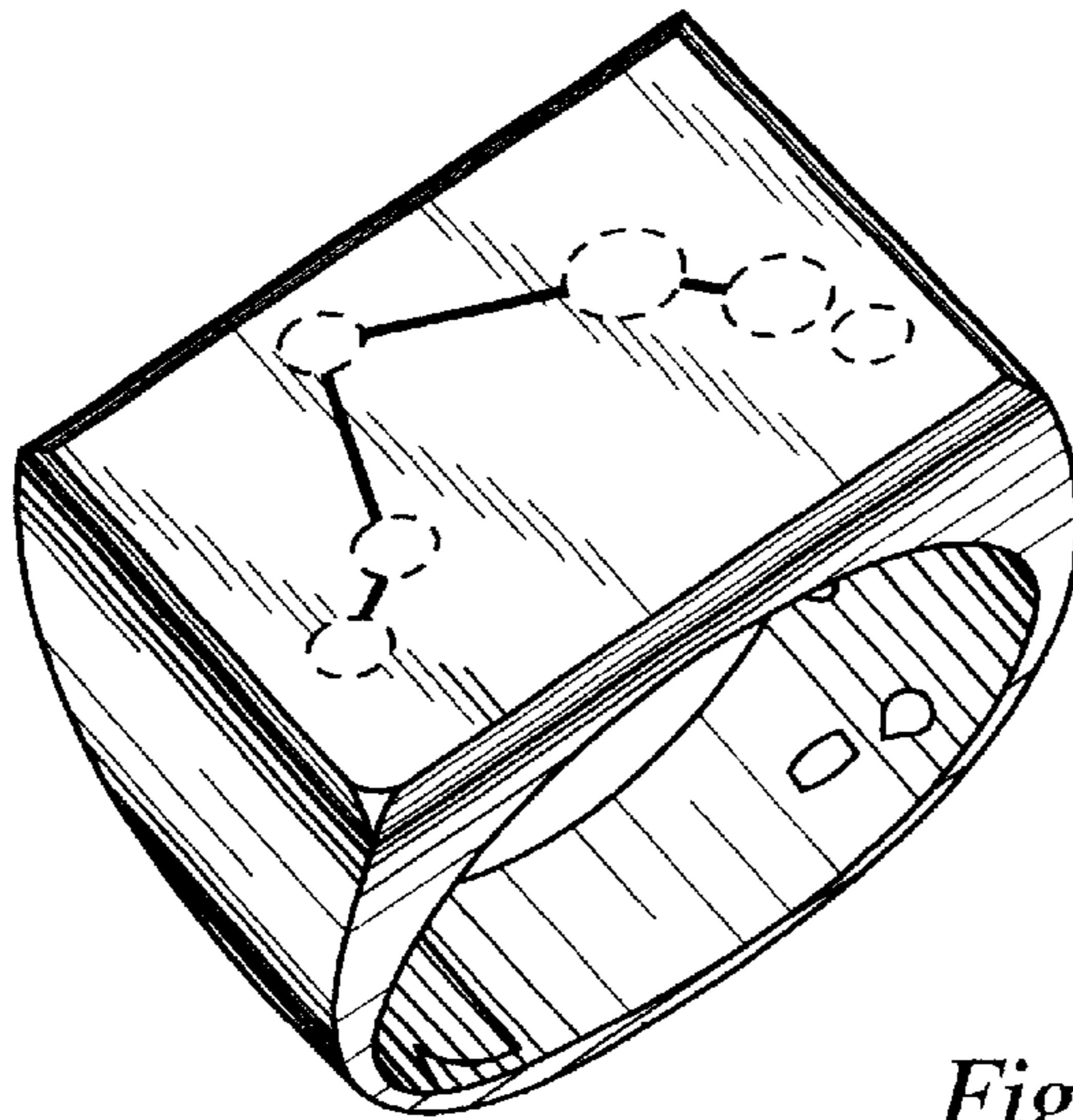
*Fig. 4*



*Fig. 5*



*Fig. 6*



*Fig. 7*