



US00D464897S

(12) **United States Design Patent**
Isetani et al.

(10) **Patent No.:** **US D464,897 S**

(45) **Date of Patent:** **** Oct. 29, 2002**

(54) **MOVING OBJECT DETECTING DEVICE**

(75) Inventors: **Yoshitsugu Isetani**, Tokyo (JP); **Toru Okubo**, Tokyo (JP); **Tomoya Yamano**, Tokyo (JP)

(73) Assignee: **Konami Corporation**, Tokyo (JP)

(**) Term: **14 Years**

(21) Appl. No.: **29/149,200**

(22) Filed: **Oct. 4, 2001**

(30) **Foreign Application Priority Data**

Apr. 27, 2001 (JP) 2001-012652

(51) **LOC (7) Cl.** **10-05**

(52) **U.S. Cl.** **D10/104**

(58) **Field of Search** D10/104; 340/541-567

(56) **References Cited**

U.S. PATENT DOCUMENTS

D427,928 S * 7/2000 Hiller et al. D10/104

* cited by examiner

Primary Examiner—Antoine Duval Davis

(74) *Attorney, Agent, or Firm*—Jordan and Hamburg LLP

(57) **CLAIM**

The ornamental design for a moving object detecting device, as shown and described.

DESCRIPTION

FIG. 1 is a perspective view of a moving object detecting device;

FIG. 2 is a front view thereof;

FIG. 3 is a rear view thereof;

FIG. 4 is a right side view thereof;

FIG. 5 is a left side view thereof;

FIG. 6 is a top view thereof; and,

FIG. 7 is a bottom view thereof.

The broken line showing of is for illustrative purposes only and forms no part of the claimed design.

1 Claim, 4 Drawing Sheets

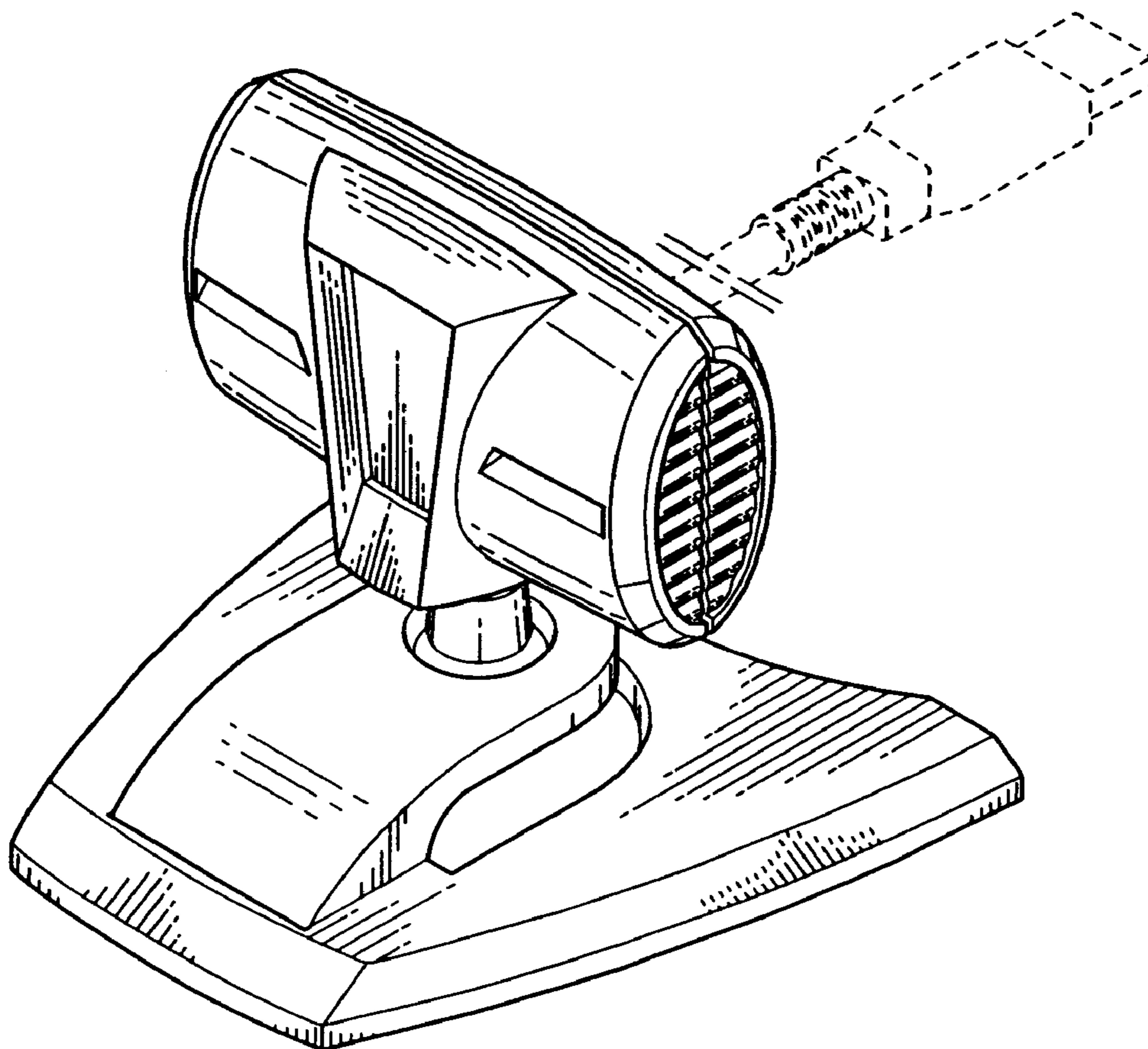


FIG. 1

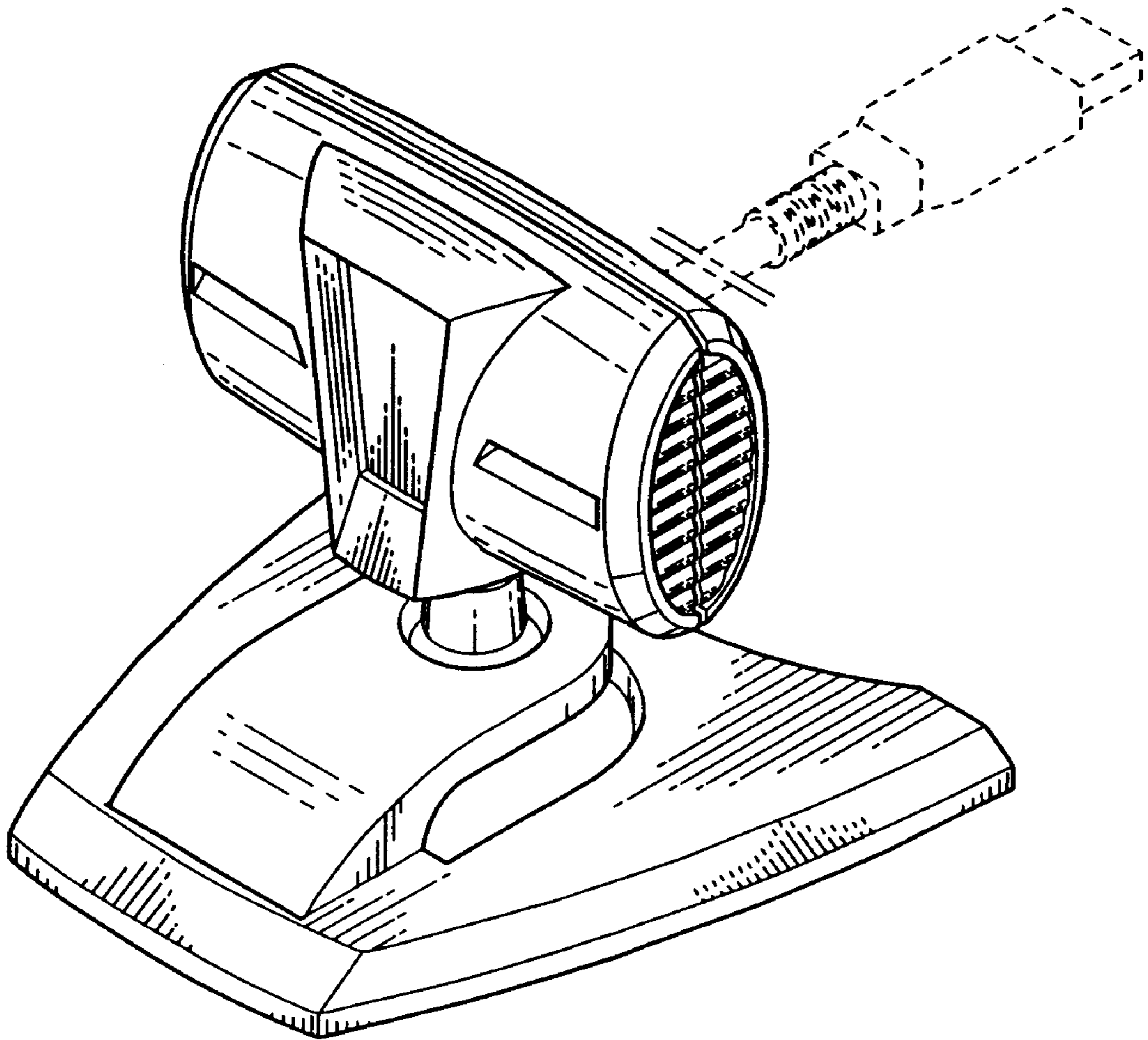


FIG. 2

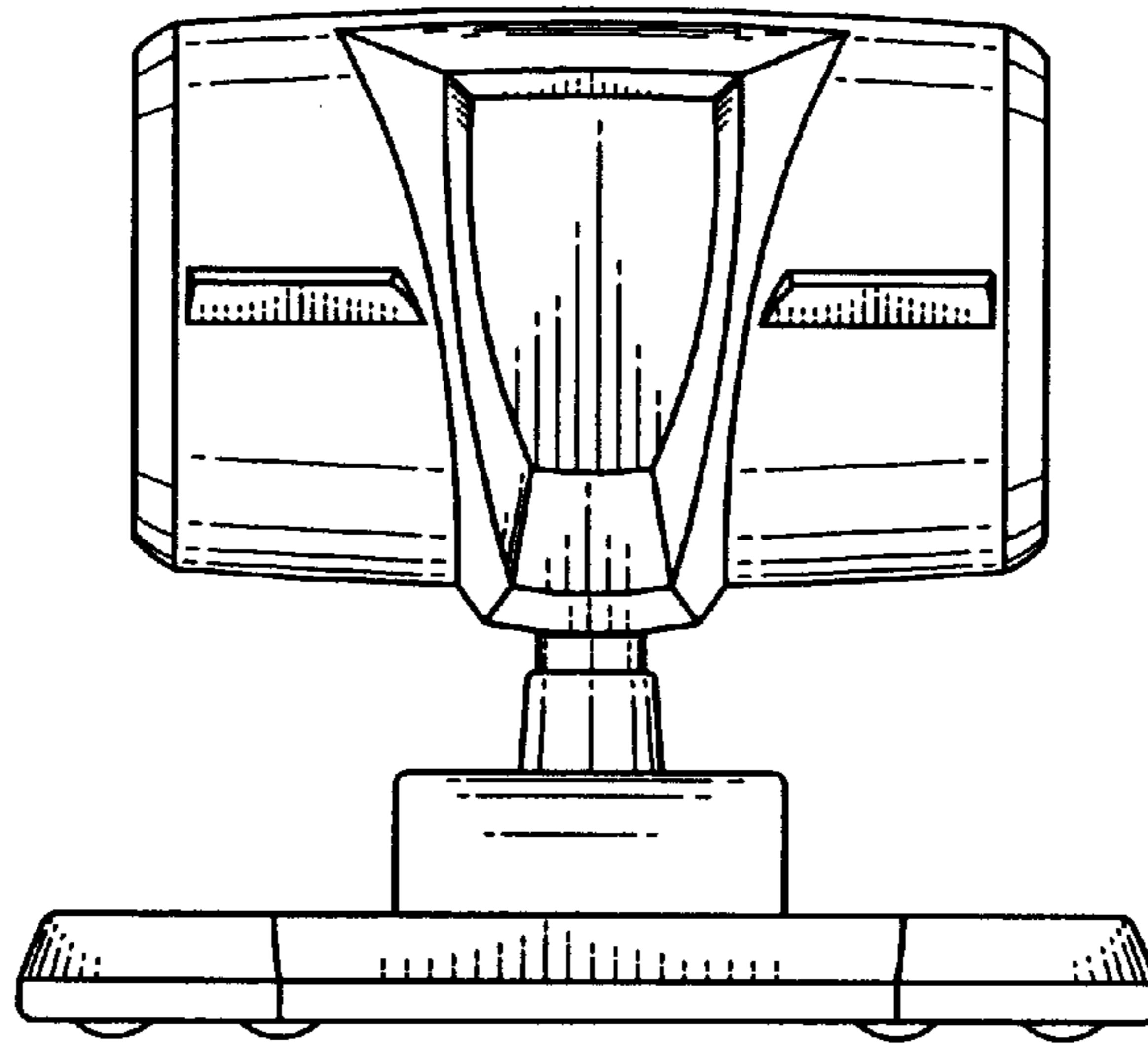


FIG. 3

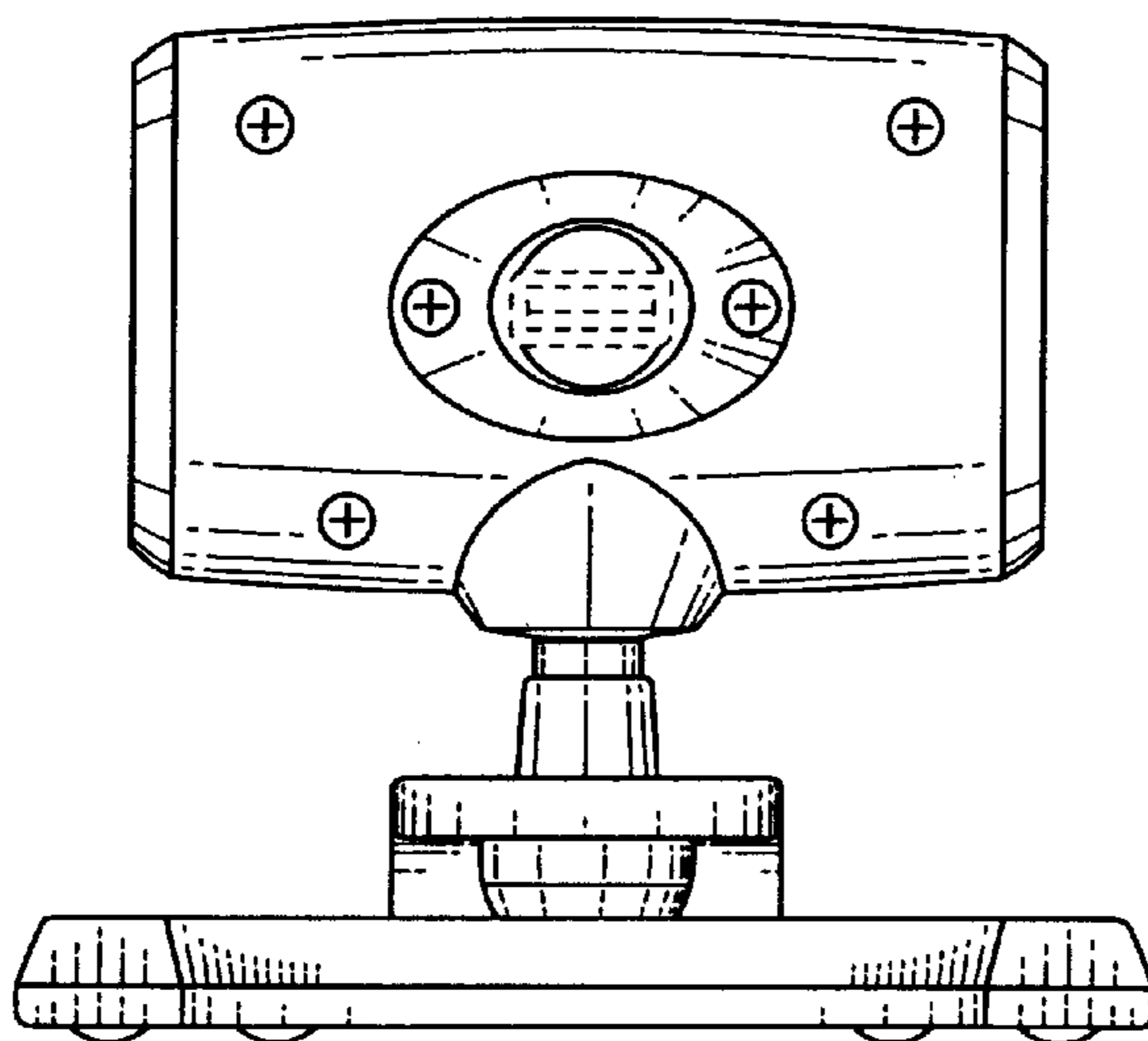


FIG. 4

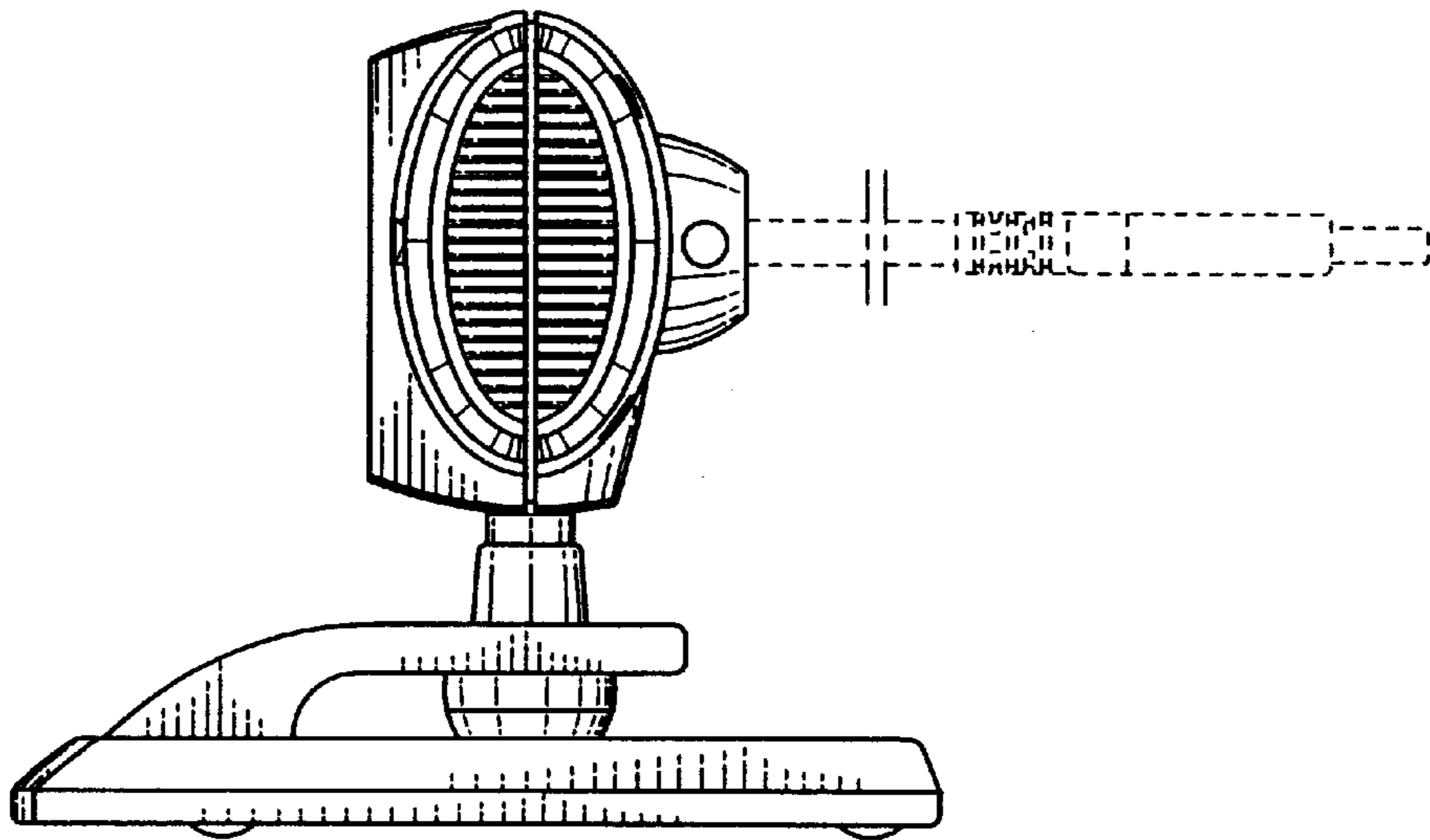


FIG. 5

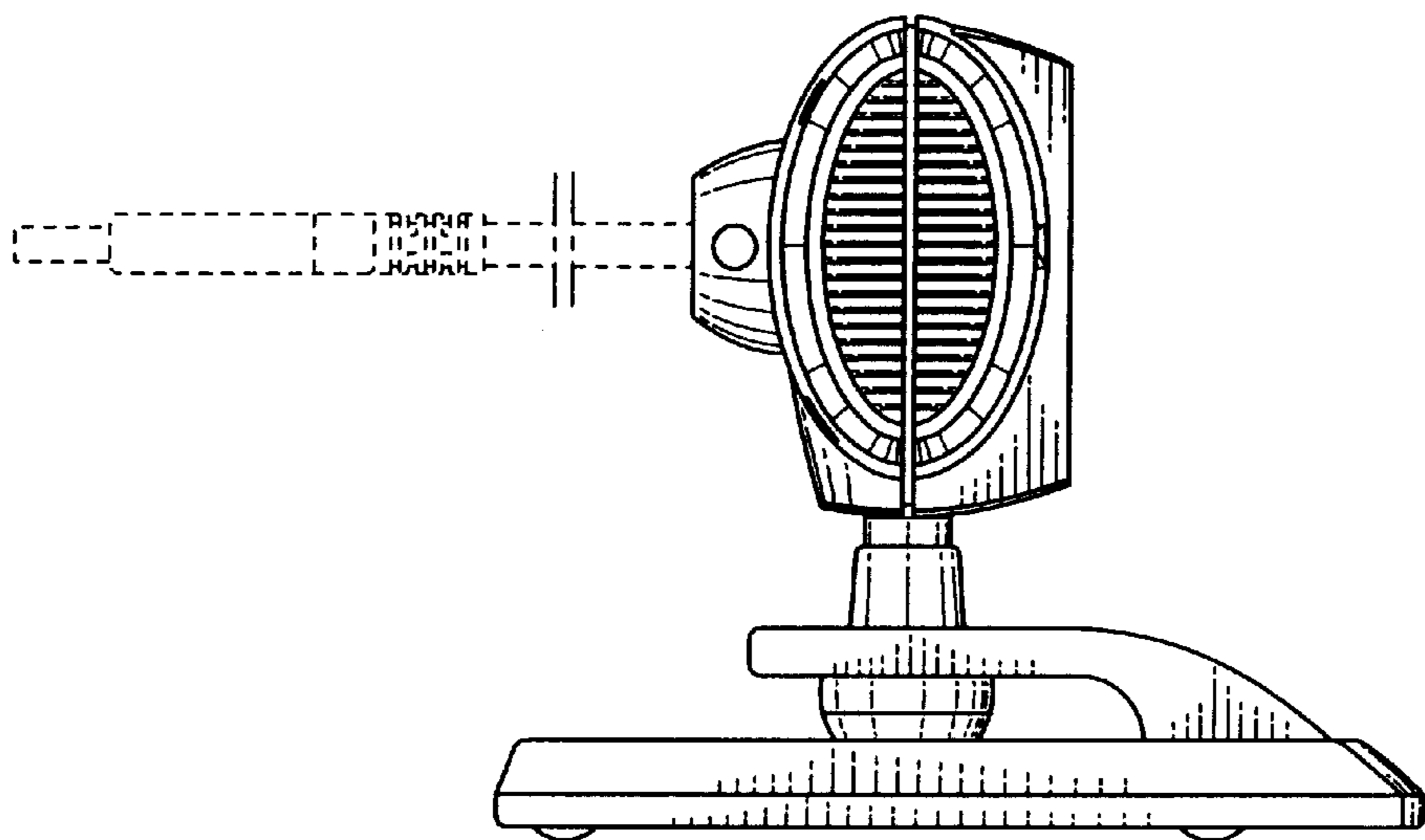


FIG. 6

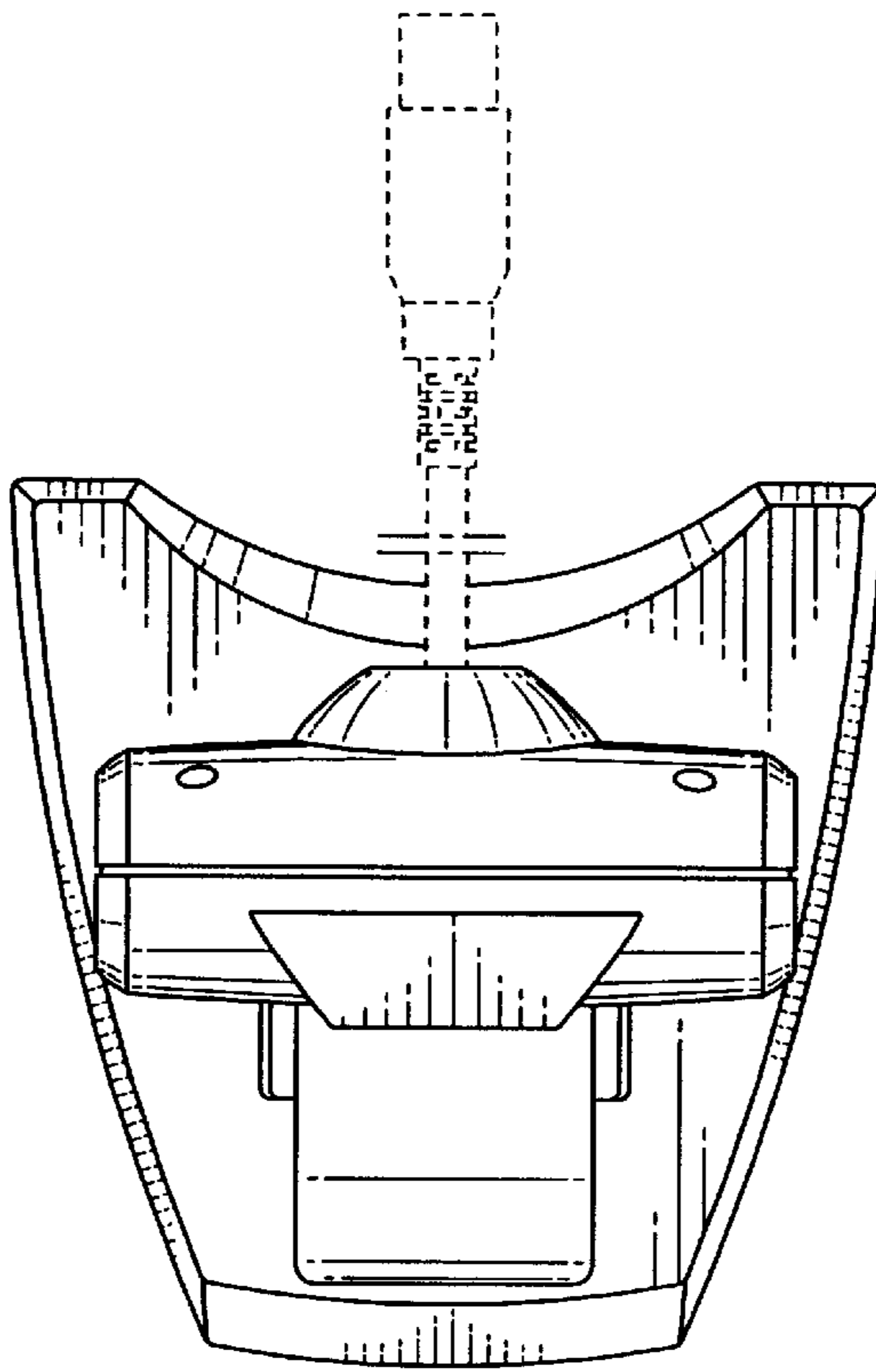


FIG. 7

