



US00D464890S

(12) **United States Design Patent**  
**Streltsov**

(10) **Patent No.:** **US D464,890 S**

(45) **Date of Patent:** **\*\* Oct. 29, 2002**

(54) **CASING FOR A WATCH**

(75) **Inventor:** **Sergei Streltsov, London (GB)**

(73) **Assignee:** **Timex Group B.V. (NL)**

(\*\*) **Term:** **14 Years**

(21) **Appl. No.:** **29/154,543**

(22) **Filed:** **Jan. 25, 2002**

(51) **LOC (7) Cl.** ..... **10-02**

(52) **U.S. Cl.** ..... **D10/30**

(58) **Field of Search** ..... D10/30-39, 122-132;  
368/281-282, 276-277, 285, 28-30, 41-44,  
82-84, 239-242

(56) **References Cited**

**U.S. PATENT DOCUMENTS**

D368,694 S	*	4/1996	Hall	.....	D10/30
D377,314 S	*	1/1997	Morial et al.	.....	D10/38
D418,429 S	*	1/2000	Goto	.....	D10/30
D442,499 S	*	4/2000	Herbst et al.	.....	D10/30
D441,302 S	*	5/2001	Tomimatsu	.....	D10/30

D443,832 S	6/2001	Streltsov	
D444,714 S	7/2001	Streltsov	
D448,310 S	9/2001	Streltsov	
D452,169 S	* 12/2001	Syoubayashi	..... D10/30

\* cited by examiner

*Primary Examiner*—Nelson C. Holtje

(74) *Attorney, Agent, or Firm*—Carmody & Torrance LLP

(57) **CLAIM**

The ornamental design for a casing for a watch, as shown and described.

**DESCRIPTION**

FIG. 1 is a perspective view of a casing for a watch showing my new design;

FIG. 2 is a left side elevational view thereof;

FIG. 3 is a top plan view thereof;

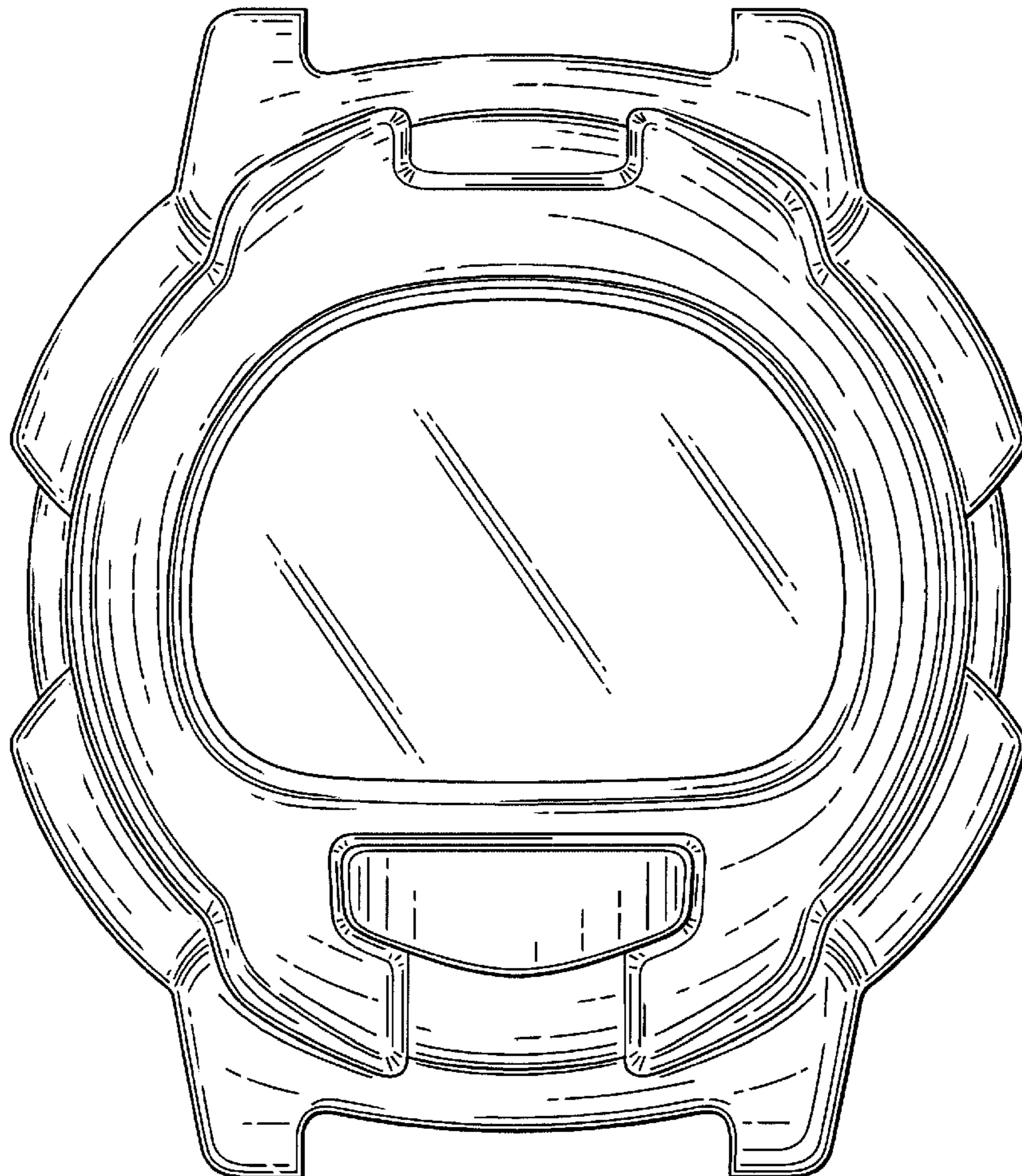
FIG. 4 is a right side elevational view thereof;

FIG. 5 is a first end elevational view thereof;

FIG. 6 is a second end elevational view thereof; and,

FIG. 7 is a bottom plan view.

**1 Claim, 6 Drawing Sheets**



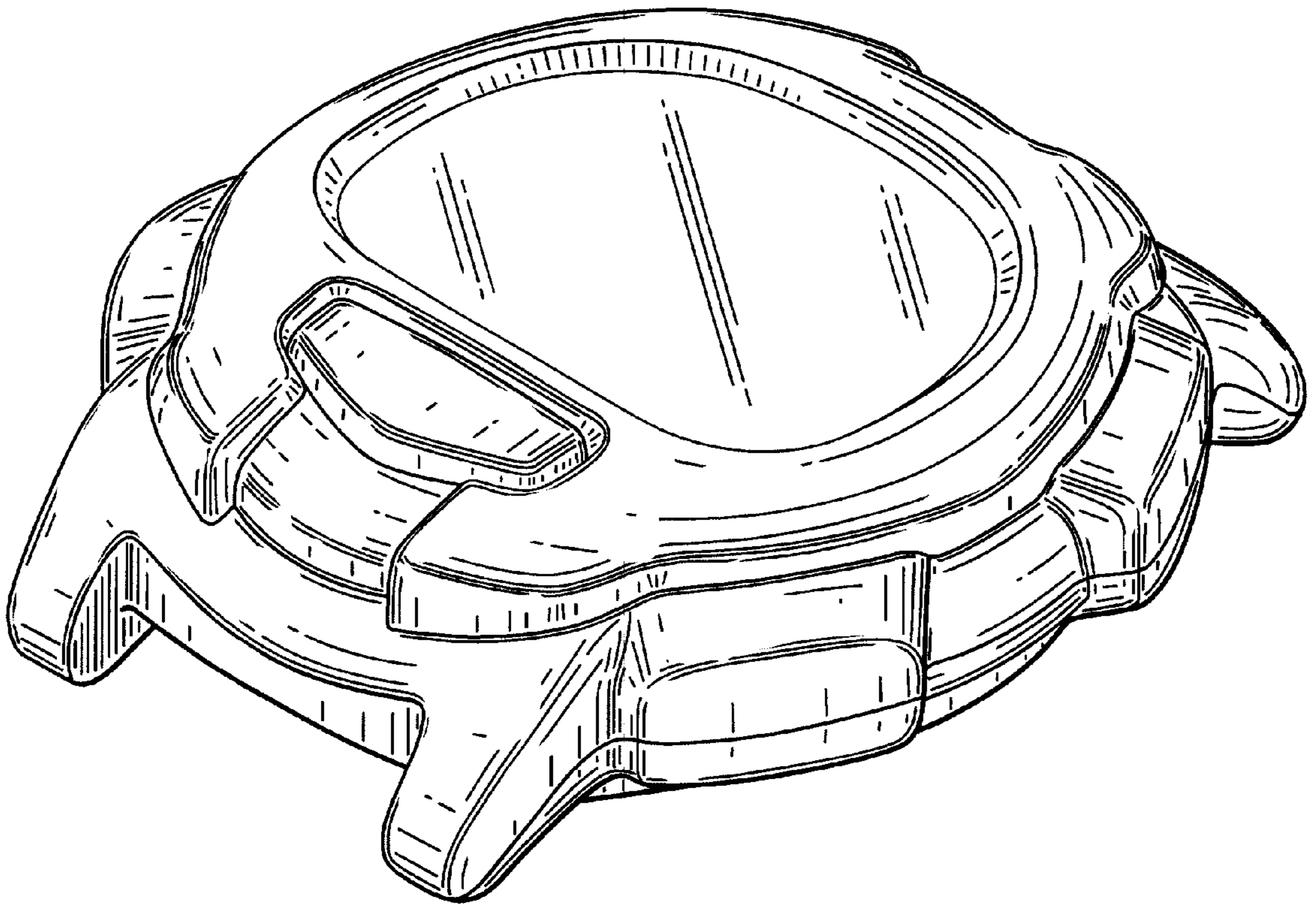


FIG. 1

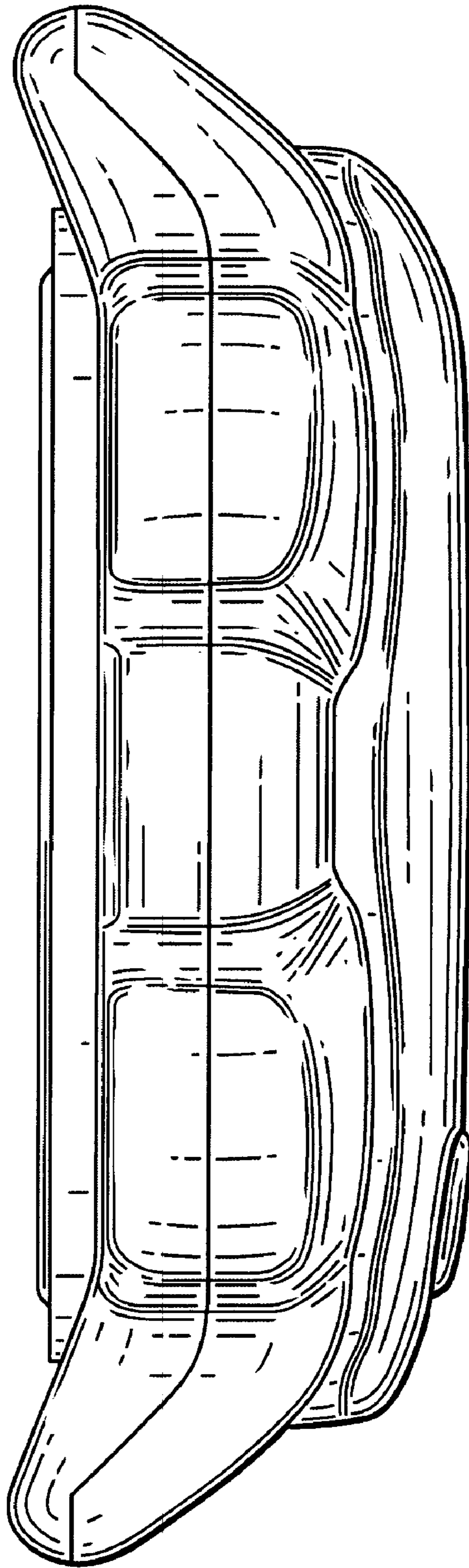


FIG. 2

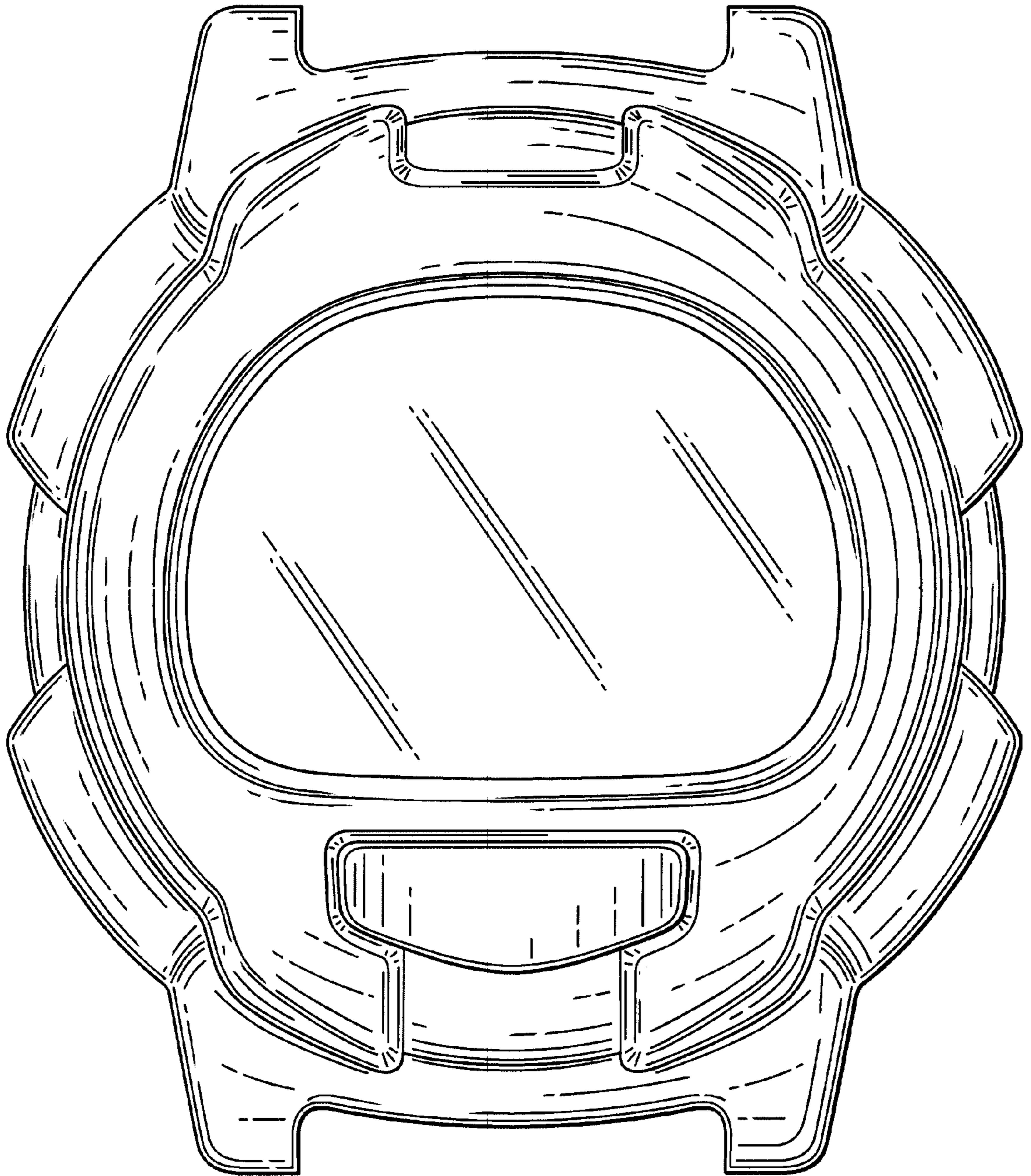


FIG. 3

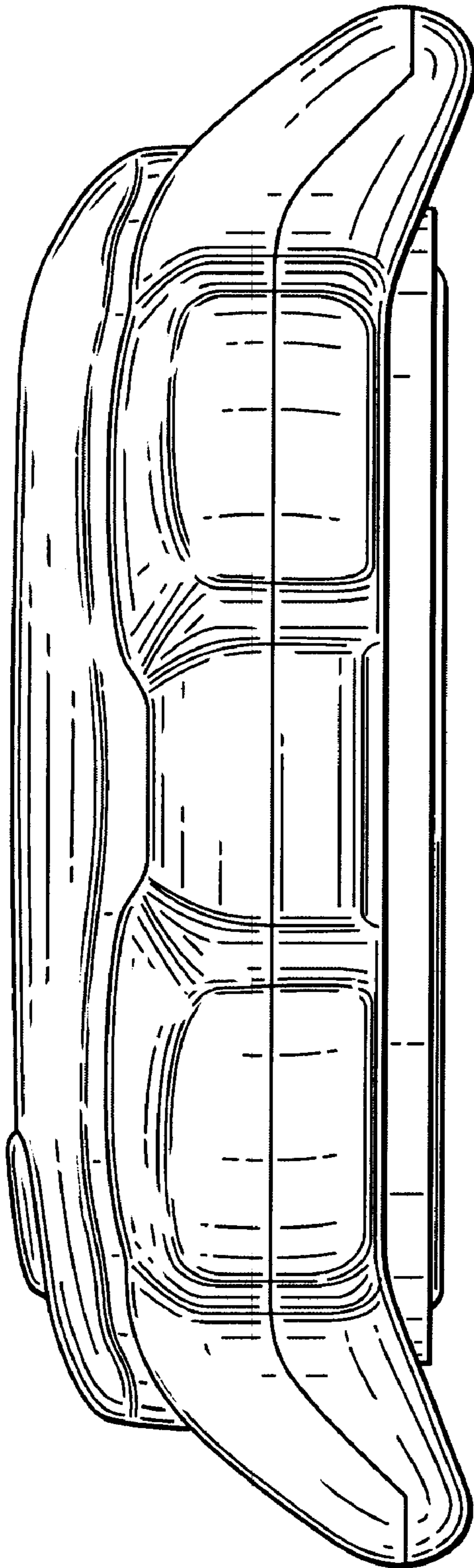


FIG. 4

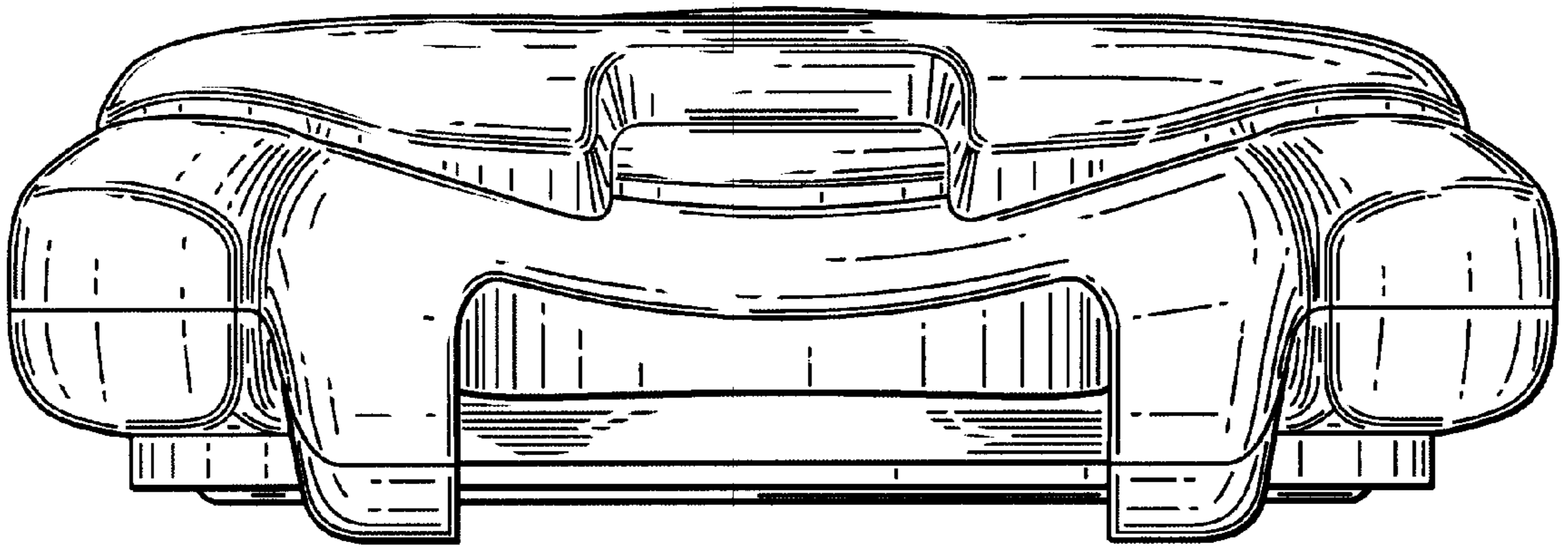


FIG. 5

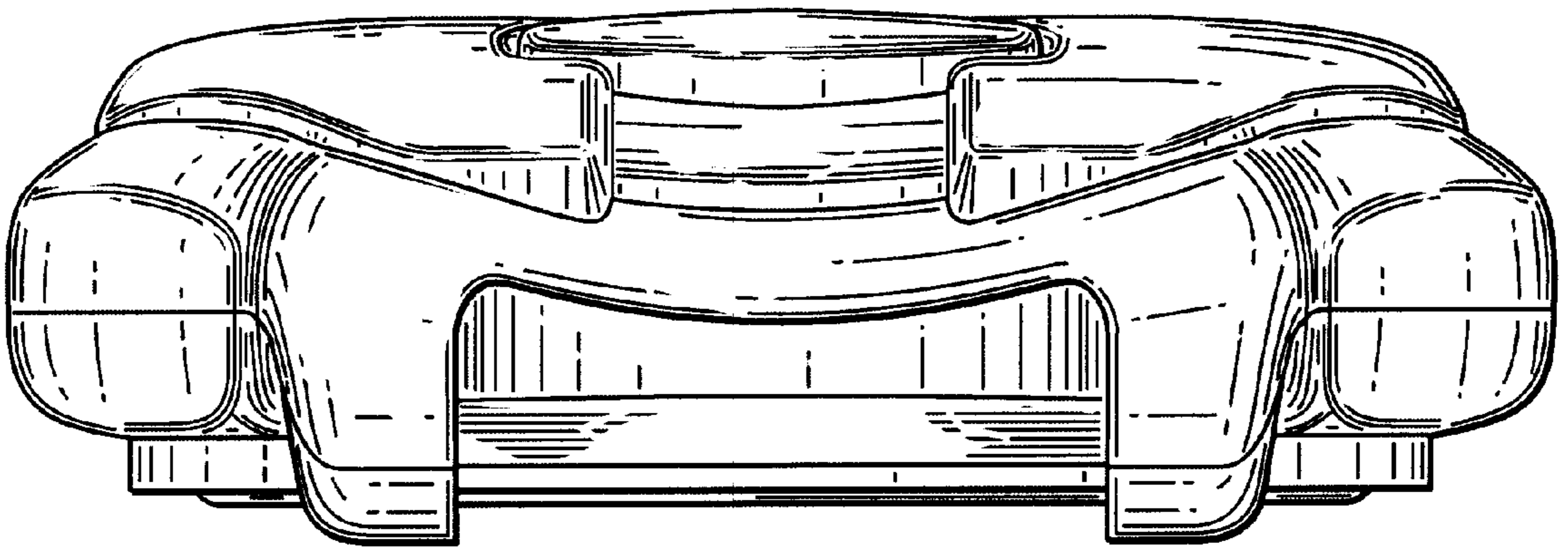


FIG. 6

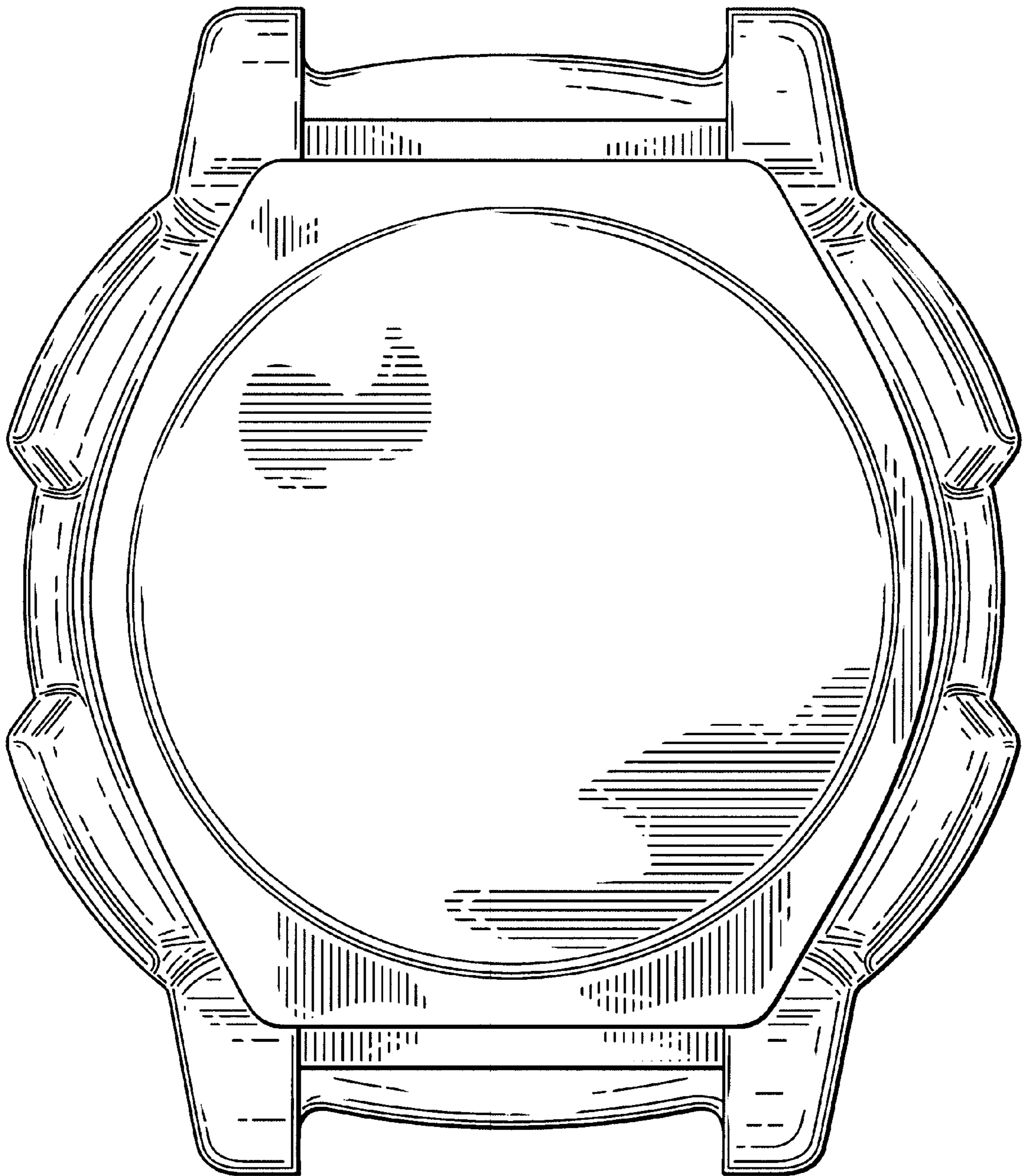


FIG. 7