



US00D464889S

(12) **United States Design Patent** (10) **Patent No.:** **US D464,889 S**  
**Cogley et al.** (45) **Date of Patent:** **\*\* Oct. 29, 2002**

(54) **BOTTLE**  
(75) Inventors: **Paul Andrew Cogley**, New York, NY (US); **Stuart Leslie**, Larchmont, NY (US); **Charles Curtiss**, Long Island City, NY (US)  
(73) Assignee: **Kraft Foods Holdings, Inc.**, Northfield, IL (US)  
(\*\*) Term: **14 Years**  
(21) Appl. No.: **29/141,245**  
(22) Filed: **May 2, 2001**  
(51) **LOC (7) Cl.** ..... **09-01**  
(52) **U.S. Cl.** ..... **D9/538**  
(58) **Field of Search** ..... D9/300, 500, 503, D9/505, 516, 529, 530, 537, 538, 539, 541, 542, 544, 545, 546, 549, 556, 558, 569, 572, 573, 574; 215/381-385, 396, 398, 12.1

D269,500 S 6/1983 Bit  
D280,708 S 9/1985 Yoshimura  
D289,736 S 5/1987 Bowers, Jr.  
D306,262 S 2/1990 Bit  
D320,154 S 9/1991 Alberghini et al.  
D346,330 S 4/1994 Hall  
D350,901 S 9/1994 Pellew-Harvey  
D358,547 S \* 5/1995 Darr ..... D9/559 X  
D370,634 S 6/1996 Mero et al.  
D373,706 S \* 9/1996 Gregg ..... D7/511  
D394,011 S 5/1998 Finch  
D395,826 S 7/1998 Hygaard, Sr.  
D396,640 S \* 8/1998 Conrad et al. .... D9/502  
D402,896 S 12/1998 Conrad  
D404,306 S \* 1/1999 Steinke ..... D9/502  
D405,015 S \* 2/1999 Kotyuk ..... D9/573  
D407,318 S 3/1999 Finlay et al.  
D425,431 S 5/2000 Omidian  
6,065,624 A \* 5/2000 Steinke ..... 215/383

\* cited by examiner

*Primary Examiner*—Ted Shooman  
*Assistant Examiner*—Carol Rademaker  
(74) *Attorney, Agent, or Firm*—Fitch, Even, Tabin & Flannery

(56) **References Cited**

**U.S. PATENT DOCUMENTS**

D37,226 S \* 11/1904 Evans ..... D9/546  
D61,196 S \* 7/1922 Johnstone ..... D9/538  
D63,400 S 12/1923 Husting  
D71,288 S 10/1926 Marder  
D100,323 S 7/1936 Fuerst  
D102,910 S 1/1937 Lorenzen  
D127,618 S 6/1941 Fuerst  
D138,663 S 8/1944 Teunisz  
D139,135 S \* 10/1944 Bowers ..... D9/538  
D176,487 S 12/1955 Sherman  
D191,641 S 10/1961 Du Pree  
4,326,638 A \* 4/1982 Nickel et al. .... 215/12.1  
D264,685 S 6/1982 Ducros  
D267,233 S 12/1982 Aoki

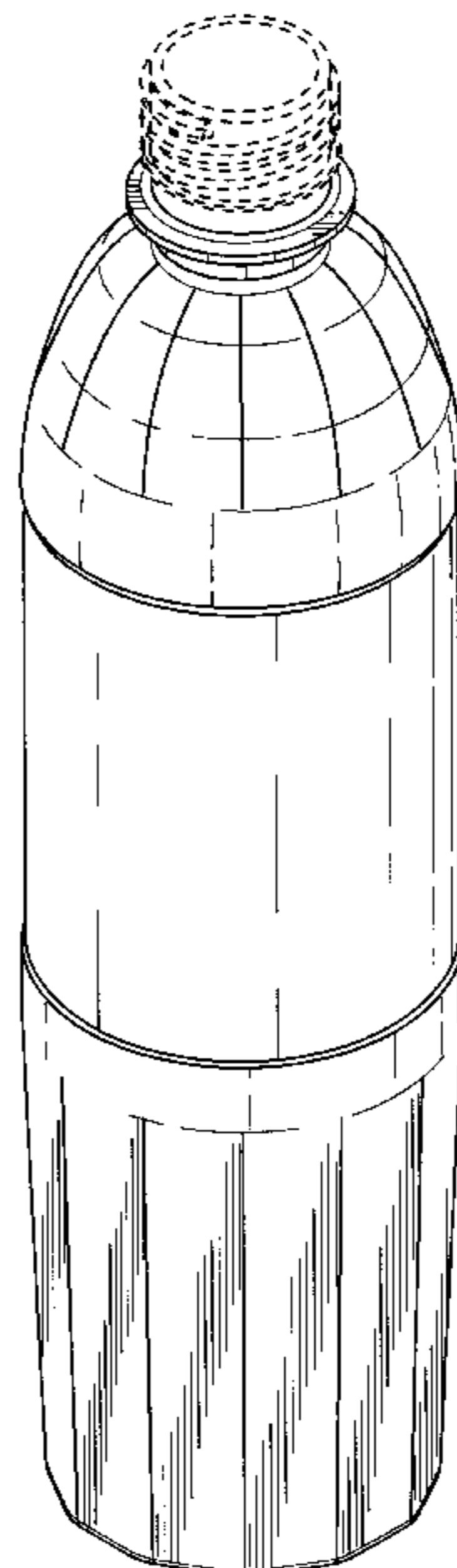
(57) **CLAIM**

The ornamental design for a bottle, as shown and described.

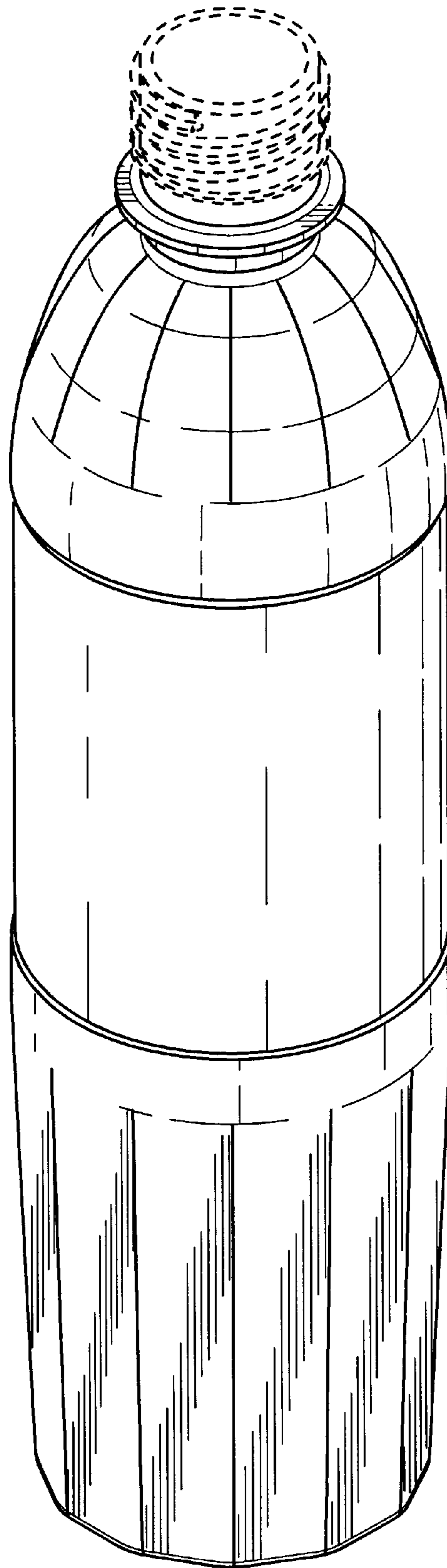
**DESCRIPTION**

FIG. 1 is a perspective view showing our new design;  
FIG. 2 is an elevational view thereof;  
FIG. 3 is a bottom plan view thereof; and,  
FIG. 4 is a top plan view thereof.  
Threads on the bottle top and the pattern formed in the bottle bottom are shown in broken lines in FIGS. 1-4 for illustrative purposes only and form no part of the claimed design.

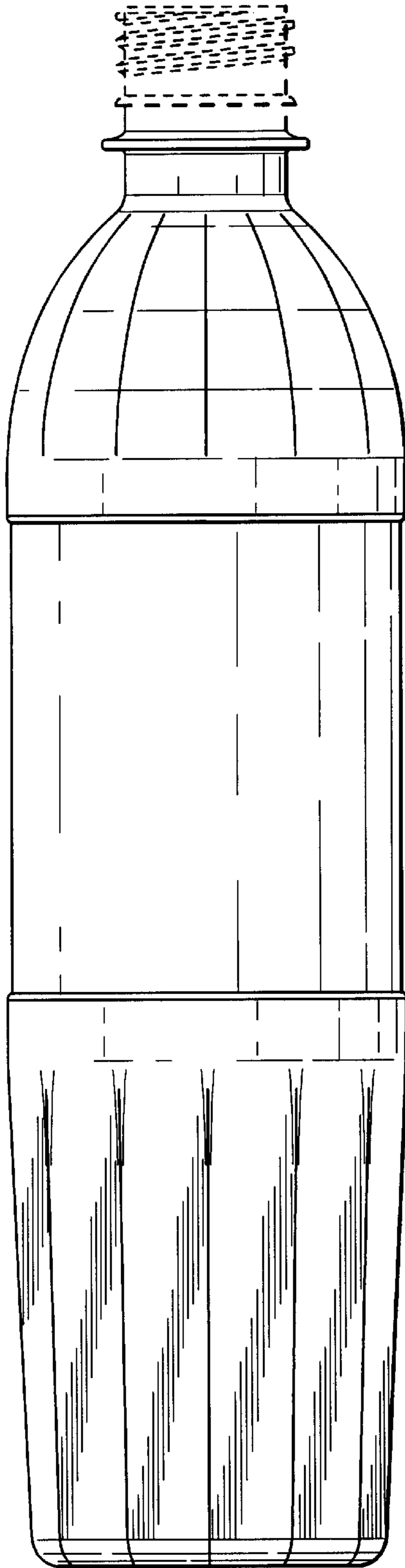
**1 Claim, 2 Drawing Sheets**



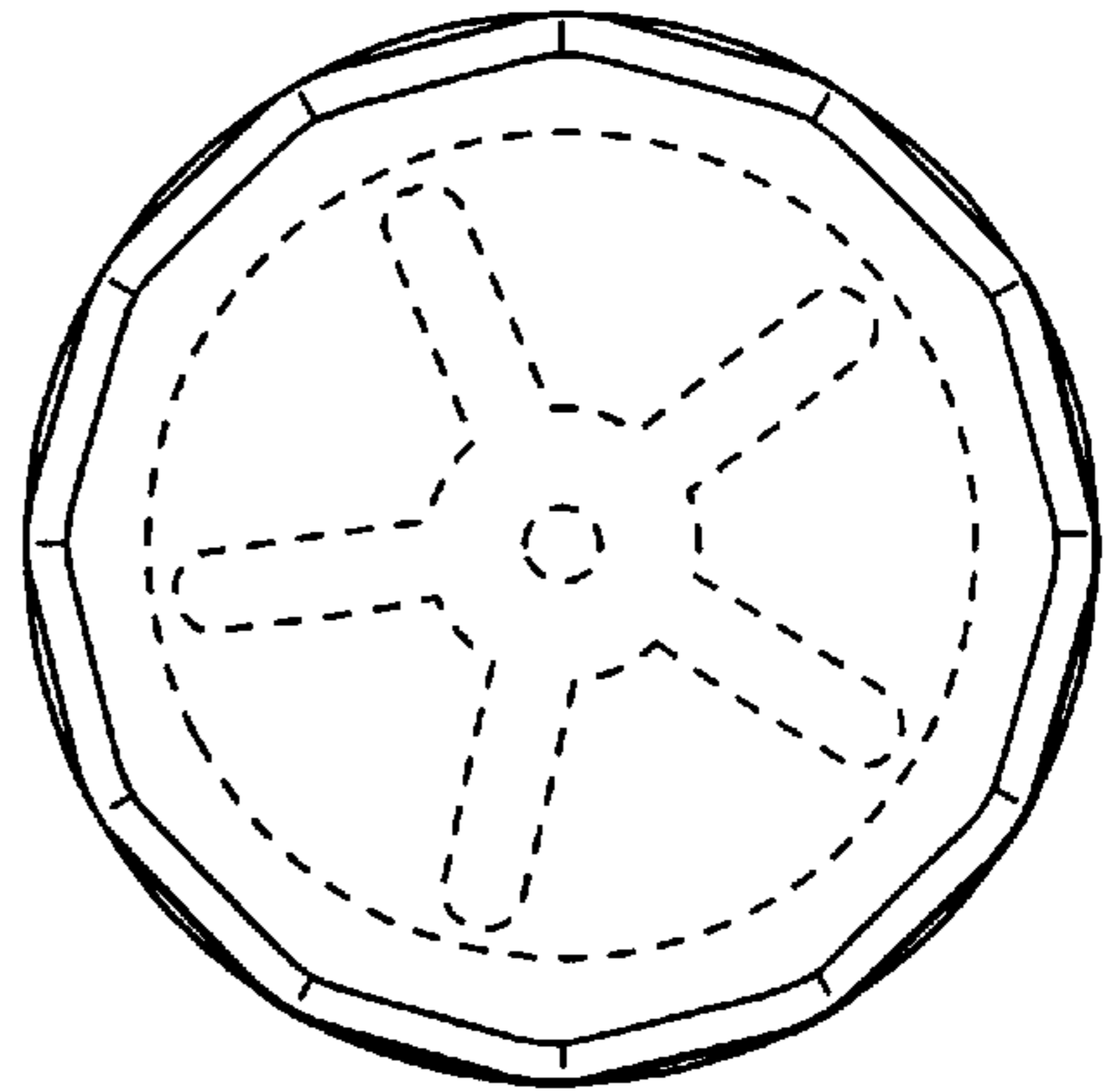
*Fig. 1*



*Fig. 2*



*Fig. 3*



*Fig. 4*

