



US00D464887S

(12) **United States Design Patent**
Sherwell

(10) **Patent No.:** **US D464,887 S**

(45) **Date of Patent:** **** Oct. 29, 2002**

- (54) **JAR**
- (75) Inventor: **Enrique Sherwell, Mexico (MX)**
- (73) Assignee: **Tootsie Roll Industries, Inc., Chicago, IL (US)**
- (**) Term: **14 Years**
- (21) Appl. No.: **29/144,992**
- (22) Filed: **Jul. 12, 2001**
- (51) **LOC (7) Cl.** **09-01**
- (52) **U.S. Cl.** **D9/516; D7/612; D9/540; D9/560; D9/575; D9/528**
- (58) **Field of Search** **D7/612-615, 629; D9/516, 522, 520, 523, 525, 526, 529, 530, 541, 543, 560, 569, 570, 572, 575; 215/381-385, 396, 398, 6, 10; 206/490; 211/73-74**

- D347,554 S * 6/1994 Wingate et al. D7/612
- D374,998 S * 10/1996 Ko D6/440
- 5,582,302 A * 12/1996 Kozak 211/74
- 5,678,701 A * 10/1997 Anderson 211/73
- 6,003,703 A * 12/1999 Ruggeri et al. 215/396

* cited by examiner

Primary Examiner—Ted Shooman

Assistant Examiner—Carol Rademaker

(74) *Attorney, Agent, or Firm*—Wolf, Greenfield & Sacks, P.C.

(57) **CLAIM**

The ornamental design for a jar, as shown and described.

DESCRIPTION

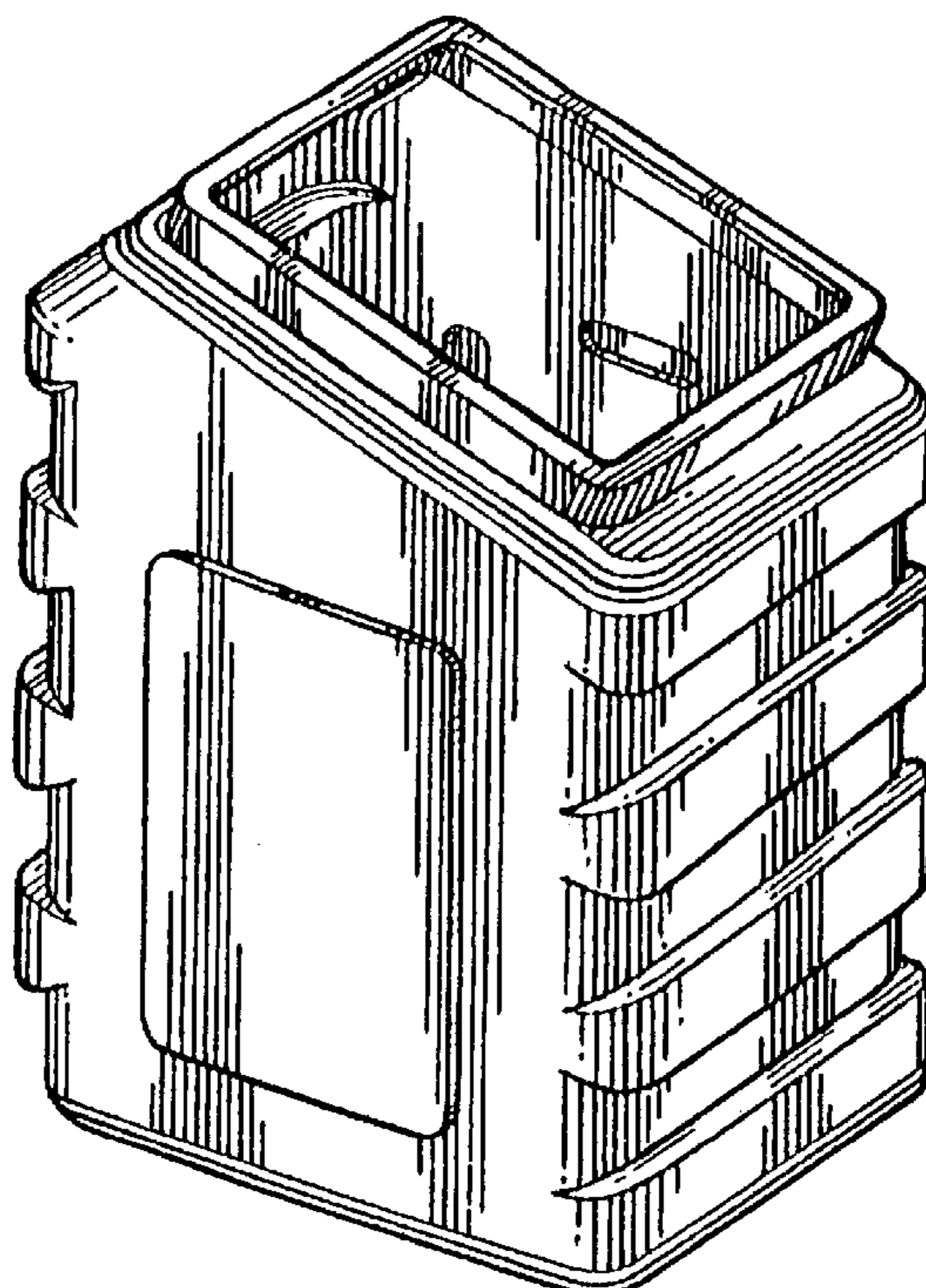
FIG. 1 is a top, front left side perspective view of a jar embodying my invention;
 FIG. 2 is a front elevational view thereof;
 FIG. 3 is a left side elevational view thereof;
 FIG. 4 is a right side elevational view thereof;
 FIG. 5 is a rear elevational view thereof;
 FIG. 6 is a top plan view thereof;
 FIG. 7 is a bottom plan view thereof;
 FIG. 8 is a top, front, and left side perspective view showing how multiple jars of the claimed design might be stacked in a front to rear configuration; and,
 FIG. 9 is a top, front, and left side perspective view showing how multiple jars of the claimed design might be stacked in a side by side configuration.
 The broken line showing in FIGS. 8 & 9 is for illustrative purposes only and forms no part of the claimed design.

(56) **References Cited**

U.S. PATENT DOCUMENTS

- D110,477 S * 7/1938 Carpenter D9/526
- D200,969 S * 4/1965 Wildgen D7/612
- 3,219,400 A * 11/1965 Bergquist 220/23.6
- 4,308,955 A * 1/1982 Schieser et al. 215/10
- D293,289 S * 12/1987 Edwards et al. D7/612
- D293,407 S * 12/1987 Edwards et al. D7/612
- 4,993,583 A * 2/1991 Chasen 220/482
- 5,002,199 A * 3/1991 Frahm 220/670
- 5,271,515 A * 12/1993 Berkheimer et al. D7/612
- D343,093 S * 1/1994 Sabin et al. D7/612
- D343,766 S * 2/1994 Bastidos D7/614

1 Claim, 3 Drawing Sheets



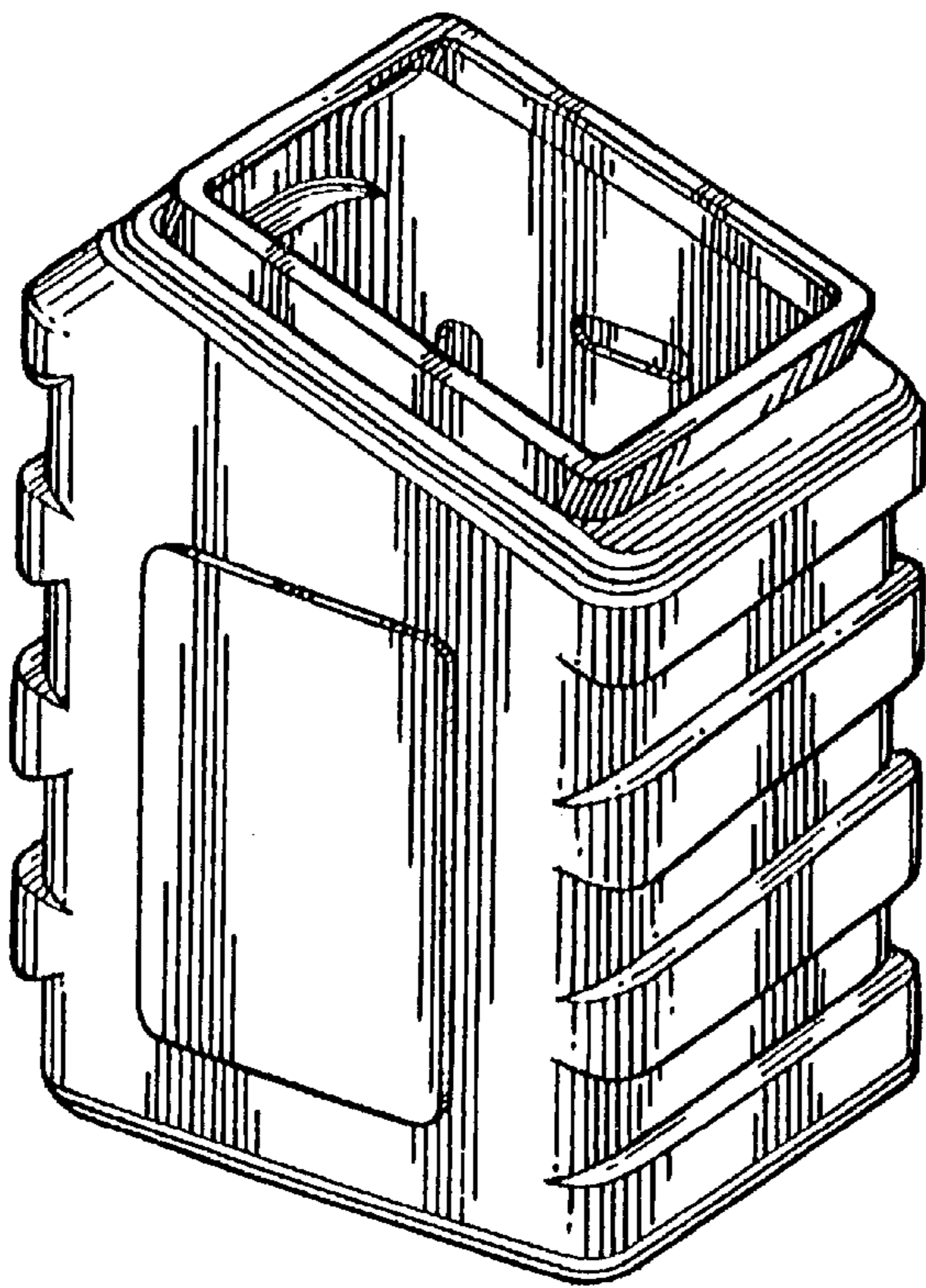


Fig. 1

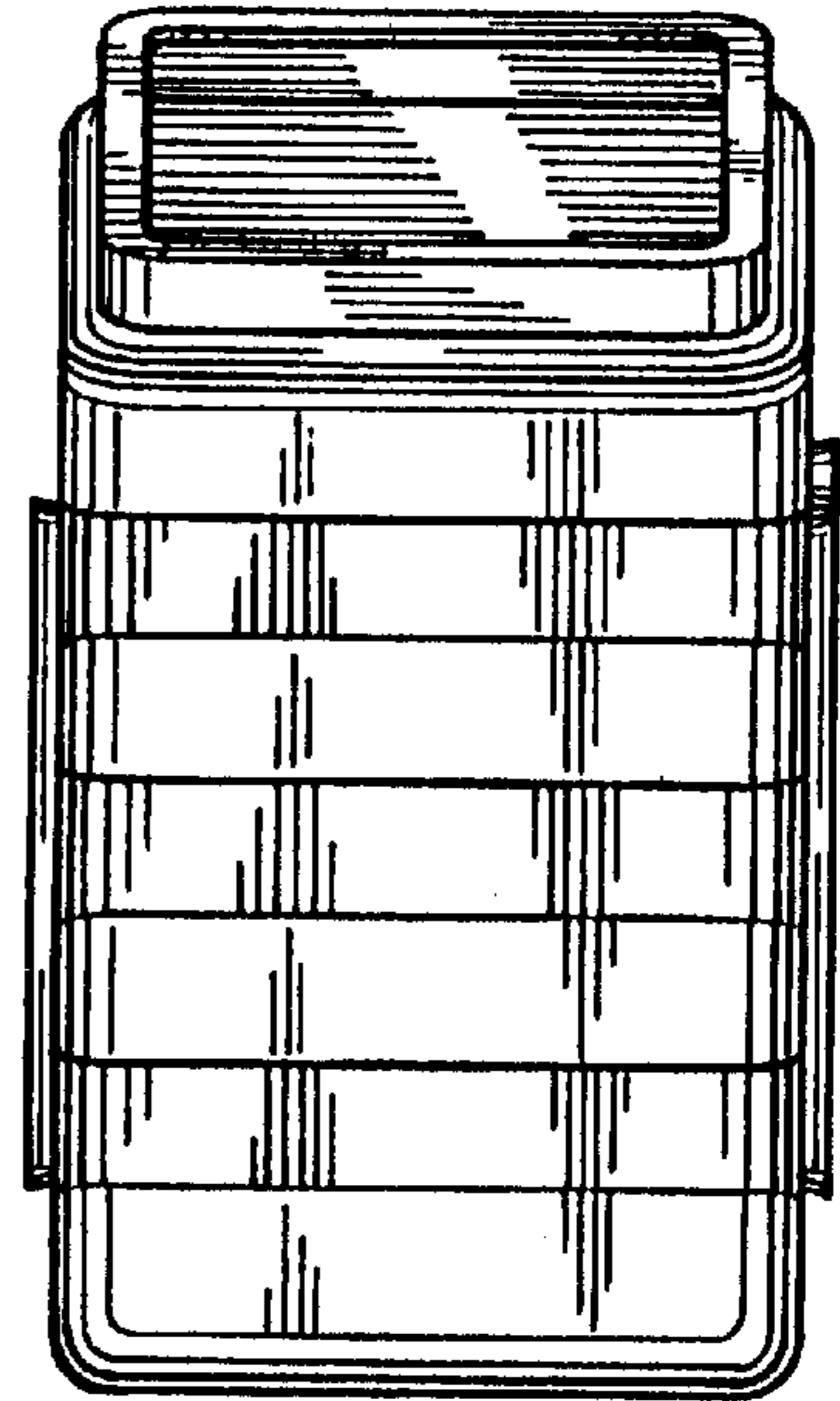


Fig. 2

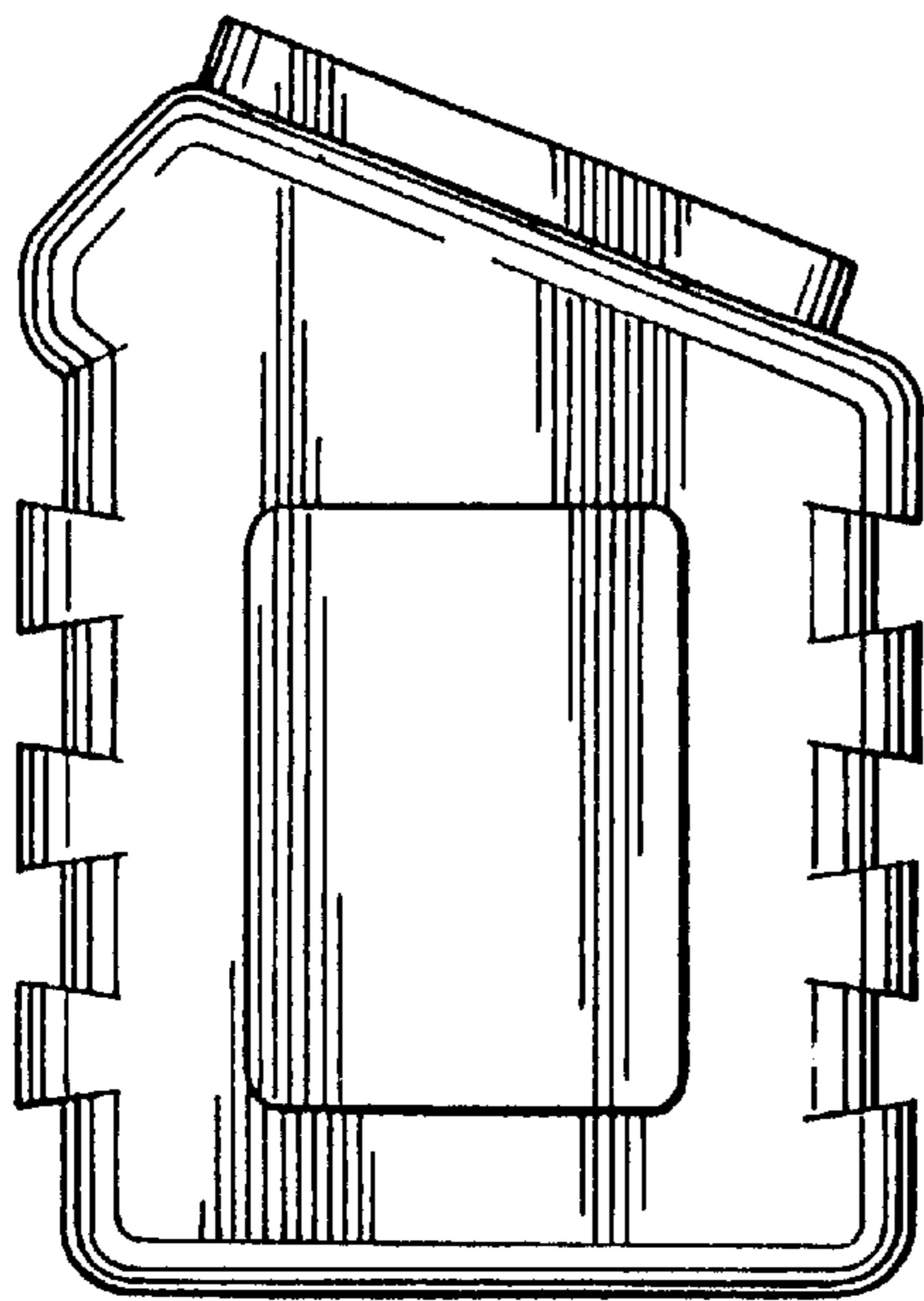


Fig. 3

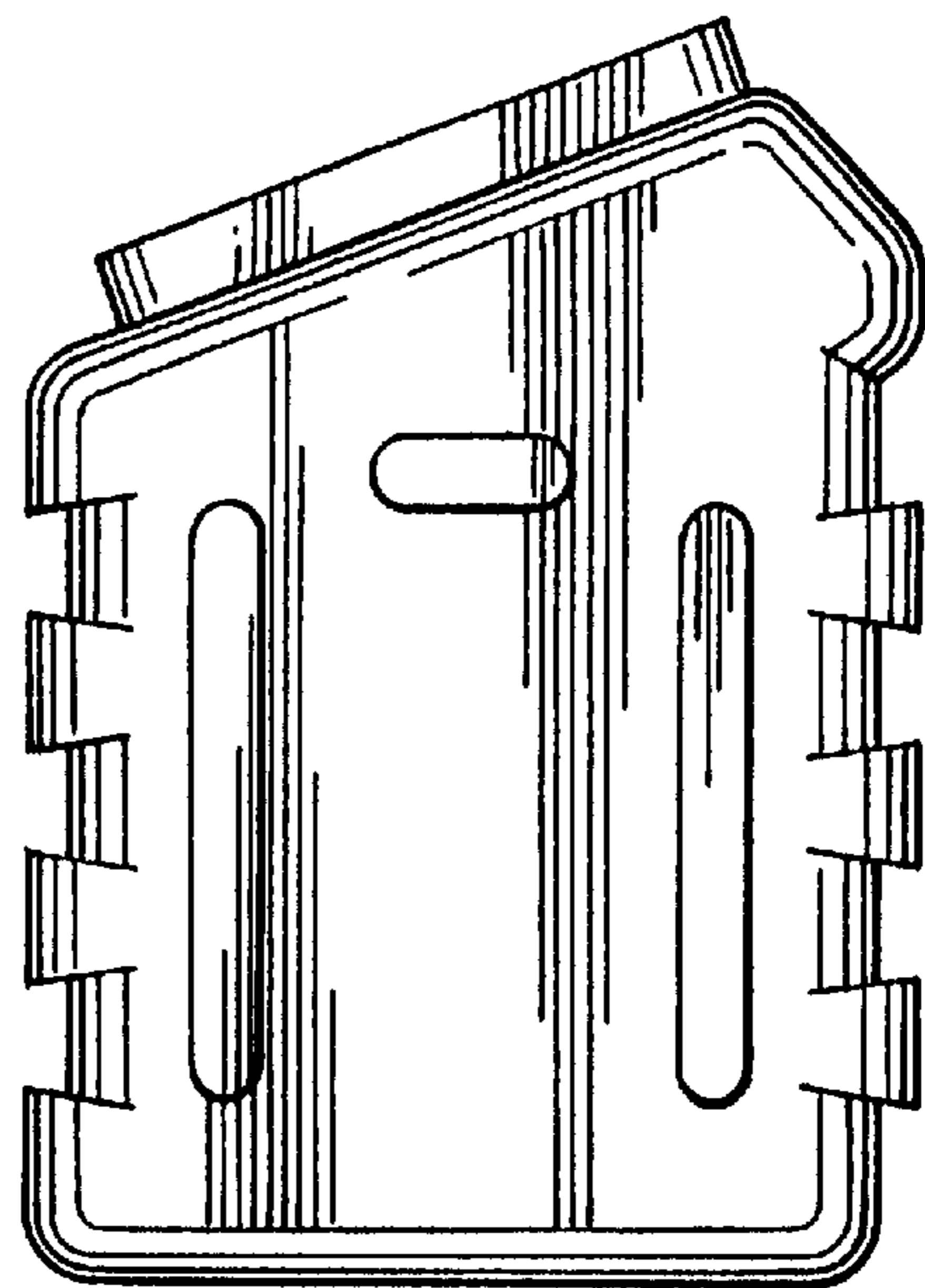


Fig. 4

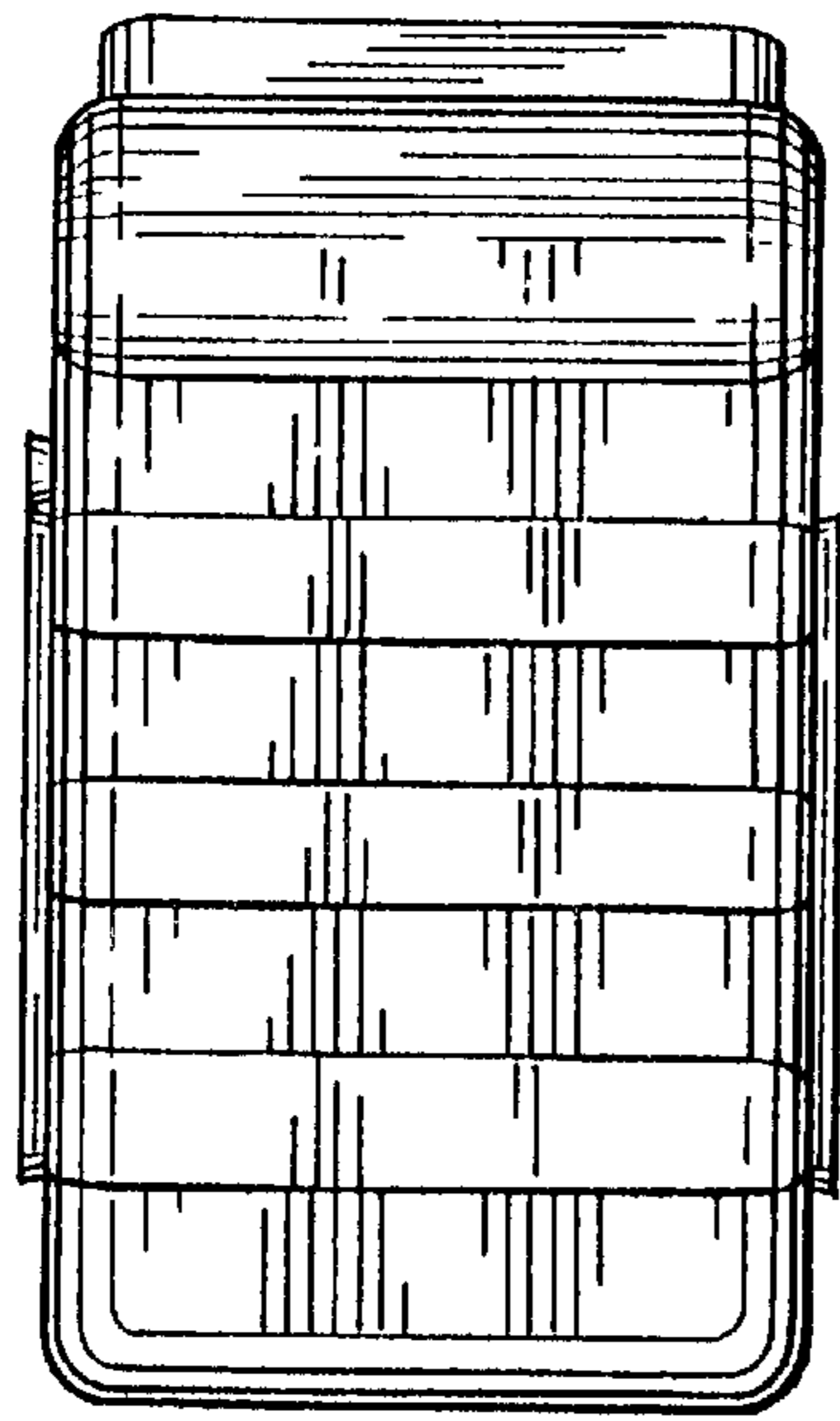


Fig. 5

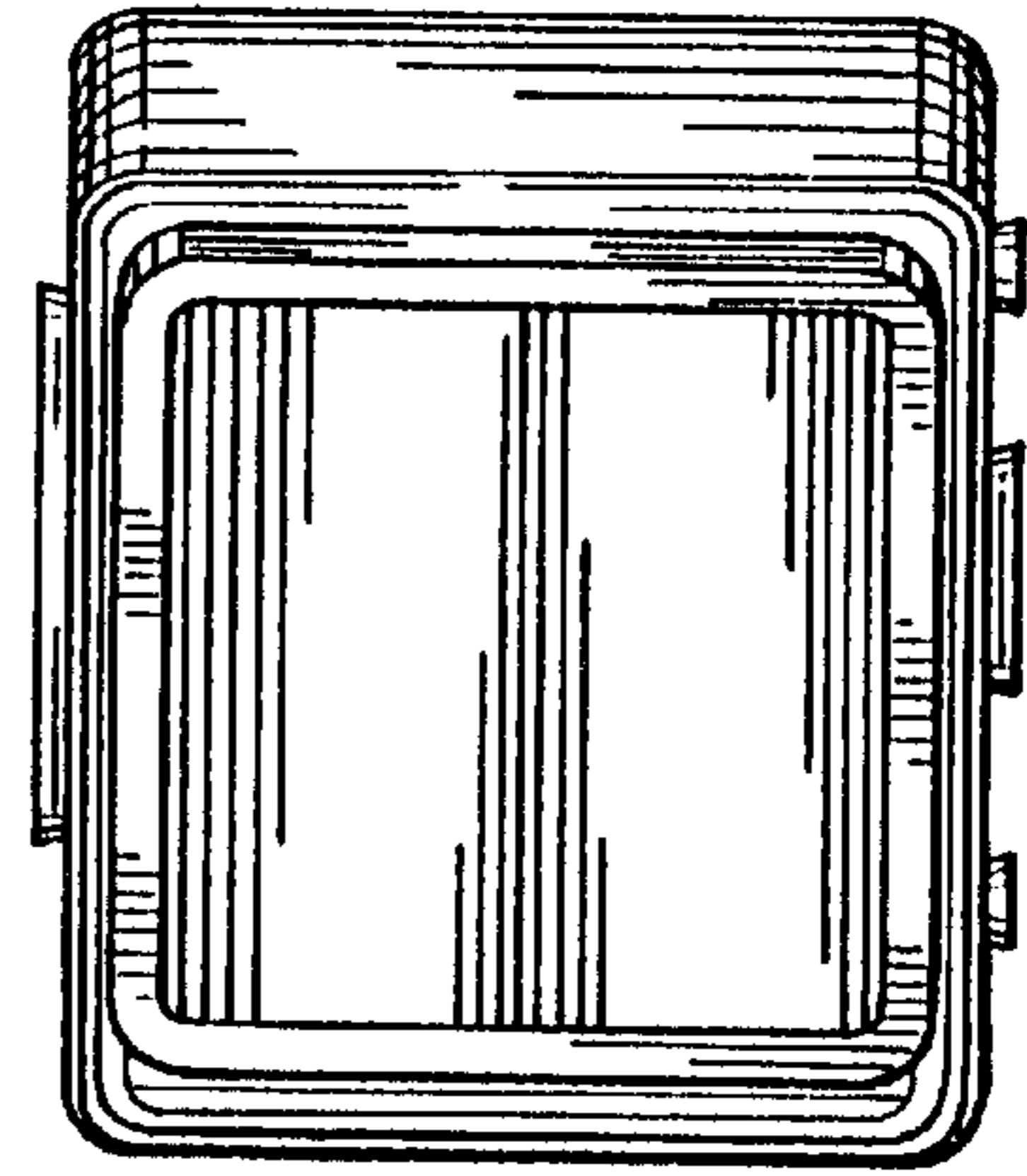


Fig. 6

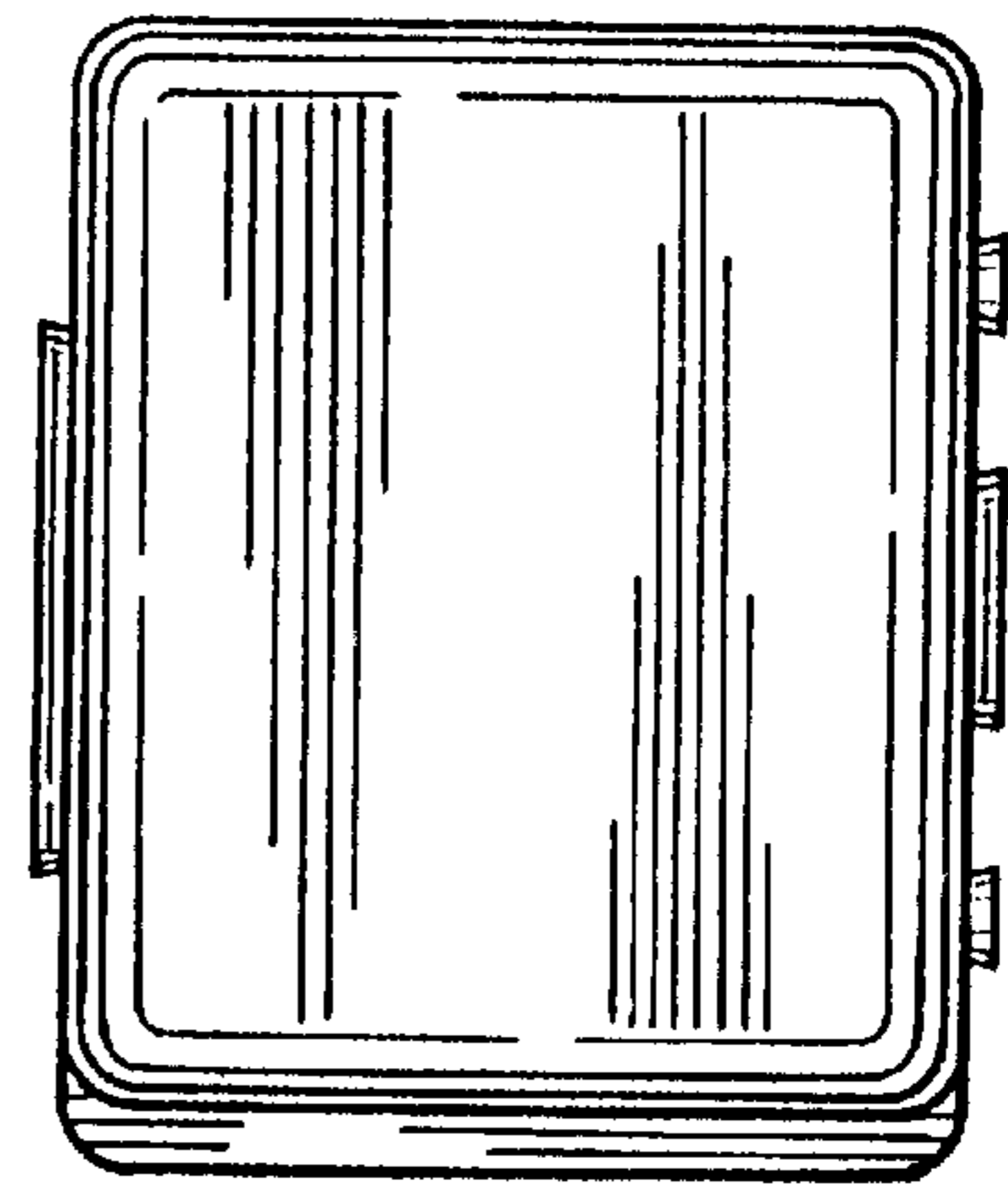


Fig. 7

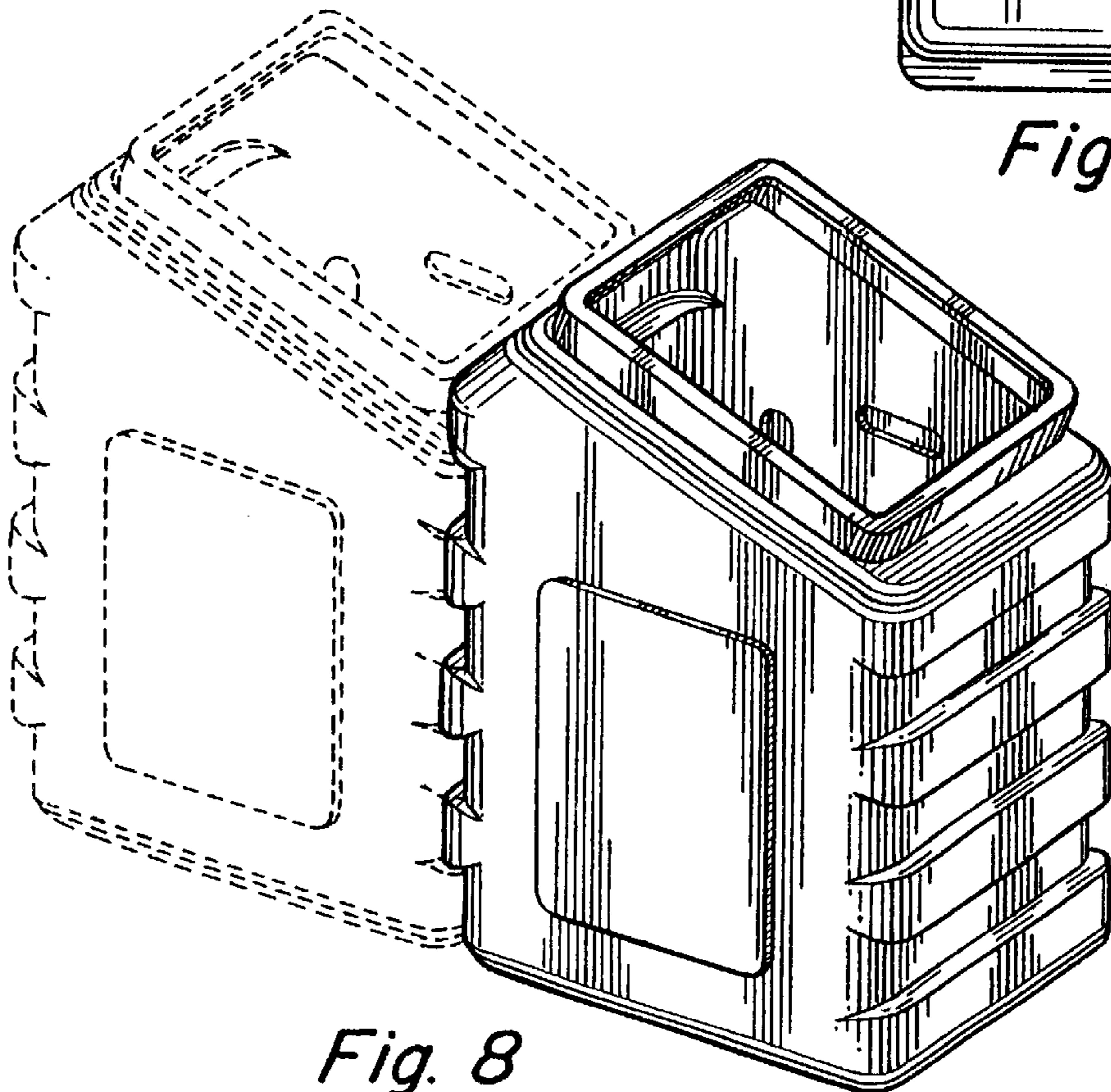


Fig. 8

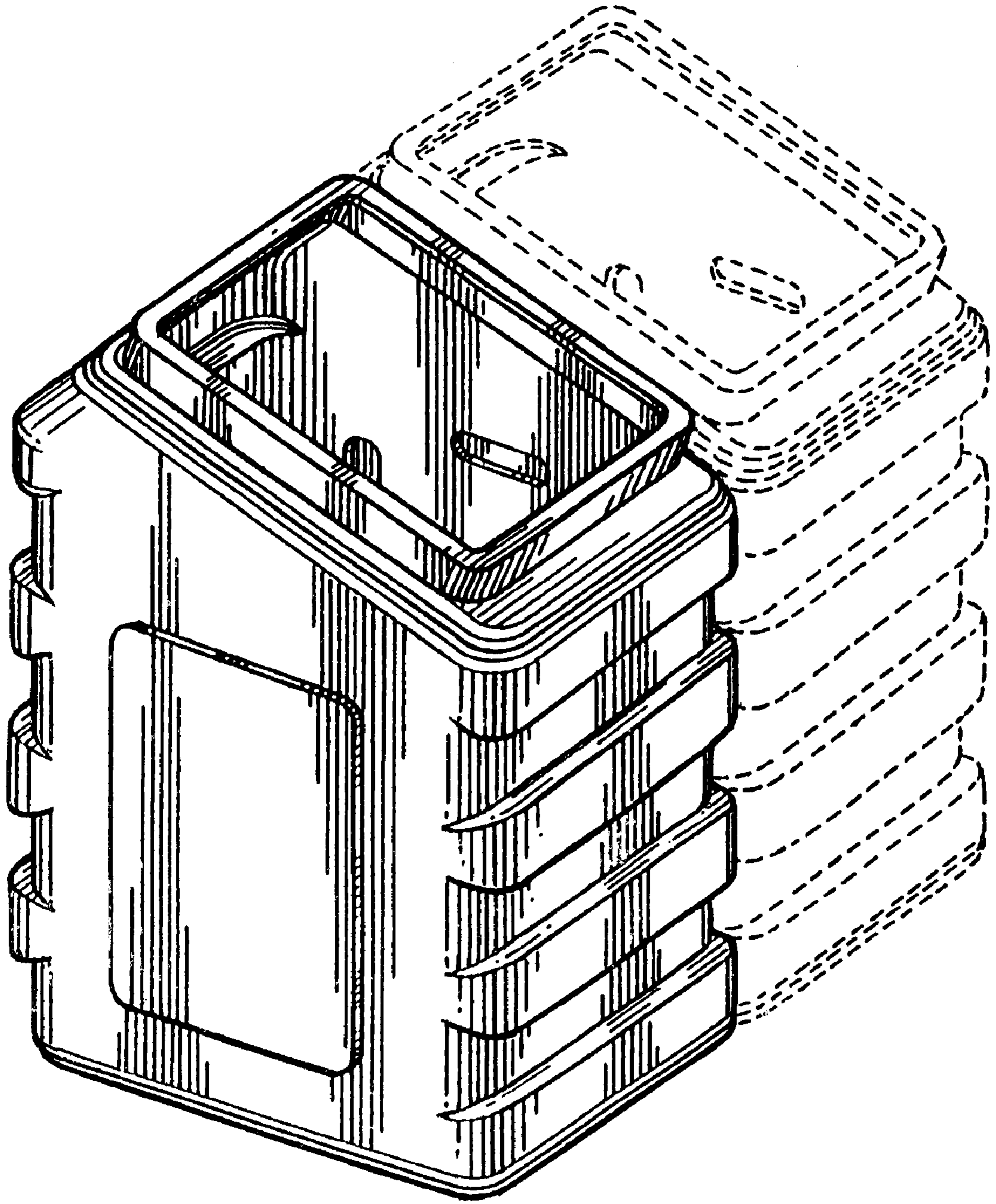


Fig. 9