



US00D464886S

(12) **United States Design Patent**
Bried et al.

(10) **Patent No.: US D464,886 S**

(45) **Date of Patent: ** Oct. 29, 2002**

(54) **ROUND CONTAINER WITH LID**
(75) Inventors: **David K. Bried**, Rockford, IL (US); **C. Alan Peet**, Waterman, IL (US); **Philip M. Baerenwald**, Rockton, IL (US)

4,371,095 A 2/1983 Montgomery et al. 222/153
4,457,458 A 7/1984 Heinol 222/498
4,494,679 A 1/1985 Cleevely 222/151
4,504,009 A 3/1985 Boik et al. 229/5.5

(List continued on next page.)

(73) Assignee: **J. L. Clark, Inc.**, Rockford, IL (US)
(**) Term: **14 Years**

OTHER PUBLICATIONS

Kwik-Wipes® pail by Stockhausen, 10 pages of photographs taken Sep., 2001.

* cited by examiner

(21) Appl. No.: **29/147,470**
(22) Filed: **Aug. 29, 2001**

Primary Examiner—Ted Shooman
Assistant Examiner—Carol Rademaker
(74) *Attorney, Agent, or Firm*—Leydig, Voit & Mayer, LTD

Related U.S. Application Data

(63) Continuation of application No. 09/803,462, filed on Mar. 9, 2001.
(51) **LOC (7) Cl.** **09-01**
(52) **U.S. Cl.** **D9/504**
(58) **Field of Search** D9/500, 504, 516, D9/549, 435, 447, 449, 450, 513; D28/76, 82, 91; 215/381-385, 396, 398; 206/37-38, 235; 220/212, 252, 558, 810

CLAIM

The ornamental design for the round container with lid, as shown and described.

DESCRIPTION

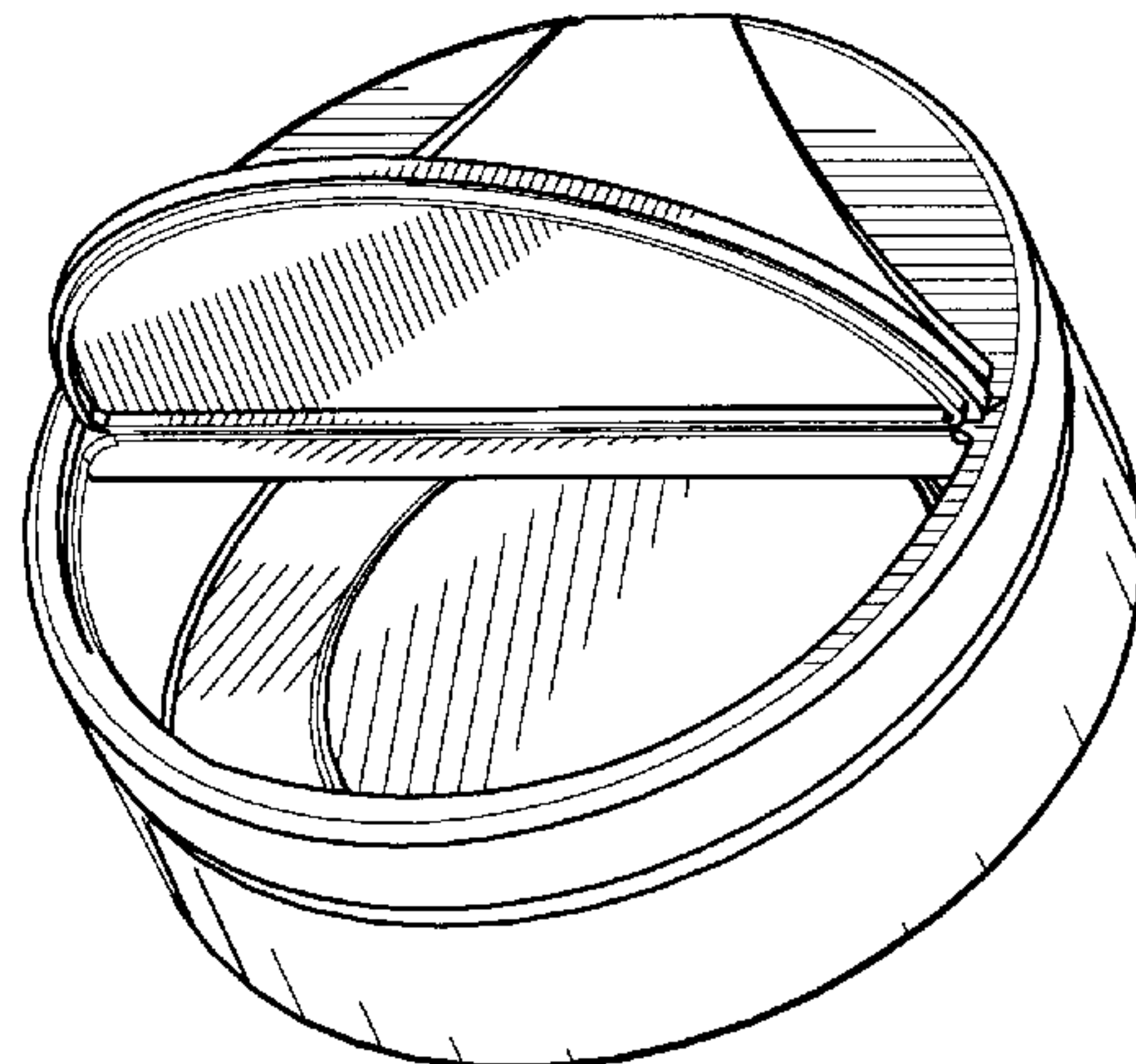
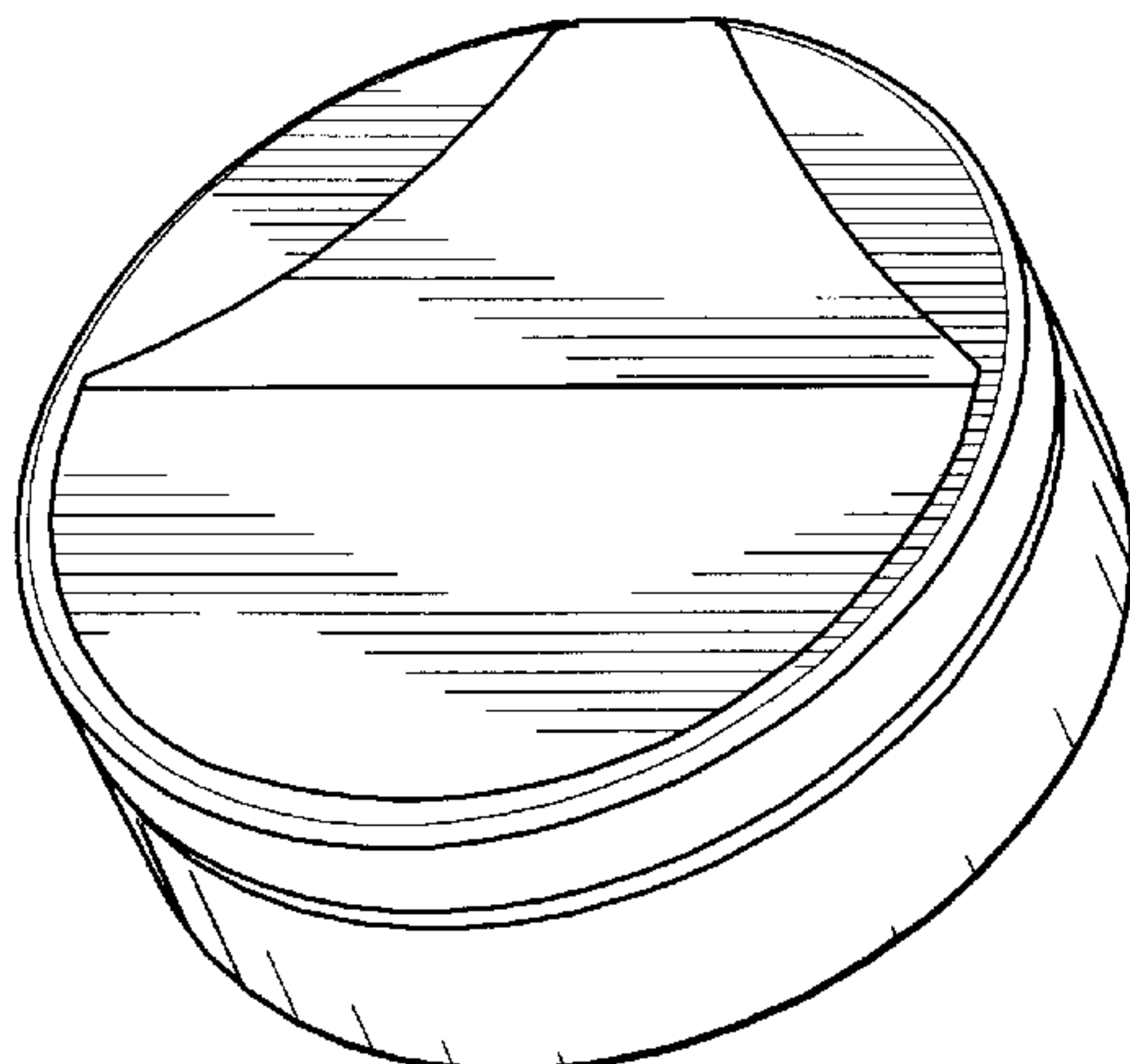
(56) **References Cited**

U.S. PATENT DOCUMENTS

D28,413 S	*	3/1898	Taite	D9/504
2,990,054 A	*	6/1961	Gellman	206/37
3,217,949 A		11/1965	Davis	222/480
3,419,198 A		12/1968	Pettersen	222/541
3,836,056 A		9/1974	Pehr	222/480
3,845,872 A	*	11/1974	Towns et al.	215/224
3,850,350 A		11/1974	Towns et al.	222/556
4,010,875 A		3/1977	Babiol	222/517
4,127,221 A		11/1978	Vere	222/153
4,158,902 A		6/1979	Chernack et al.	16/150
4,168,032 A		9/1979	Sneider	239/327
4,209,100 A		6/1980	Uhlig	215/216
4,220,248 A		9/1980	Wilson et al.	215/235
4,223,814 A		9/1980	Sneider	222/565
4,244,495 A		1/1981	Lorscheid et al.	222/153
4,261,480 A		4/1981	Fuss	221/304
4,291,818 A		9/1981	Nozawa et al.	220/335
4,369,901 A		1/1983	Hidding	222/480

FIG. 1 is a perspective view of the round container with lid with the door in the closed position;
FIG. 2 is a perspective view of the round container with lid as shown in FIG. 1, but with the door in the open position;
FIG. 3 is a top view of the round container with lid as shown in FIG. 1;
FIG. 4 is a top view of the round container with lid as shown in FIG. 2;
FIG. 5 is a rear view of the round container with lid as shown in FIG. 1;
FIG. 6 is a front view of the round container with lid as shown in FIG. 2;
FIG. 7 is a side view of the round container with lid as shown in FIG. 1;
FIG. 8 is a bottom view of the round container with lid of FIG. 1;
FIG. 9 is a side view of the round container with lid as shown in FIG. 2, taken from the right; and,
FIG. 10 is a cross-sectional view of the round container with lid as shown in FIG. 4.

1 Claim, 4 Drawing Sheets



US D464,886 S

Page 2

U.S. PATENT DOCUMENTS

D281,764 S	*	12/1985	Legrottaglie	D9/504
4,558,806 A		12/1985	Shabram, Sr. et al.	222/556
4,580,687 A		4/1986	Lewis	215/237
D292,889 S		11/1987	Ostrowsky	D9/449
4,736,858 A		4/1988	Shastal	215/236
4,776,501 A		10/1988	Ostrowsky	222/517
4,898,292 A		2/1990	VerWeyst et al.	215/237
4,901,892 A	*	2/1990	Song	222/498
4,911,337 A		3/1990	Rosenthal	222/498
4,923,085 A		5/1990	Lillelund et al.	220/282
4,936,494 A		6/1990	Weidman	222/480
D314,708 S		2/1991	DeCoster	D9/449
D321,137 S		10/1991	Hofmann et al.	D9/447
D322,760 S		12/1991	Blanchette	D9/435
5,082,114 A		1/1992	Bunin	206/539
5,085,331 A	*	2/1992	Groya et al.	215/245
D324,997 S	*	3/1992	Jones	D9/529
D328,711 S		8/1992	Deflander	D9/524
D329,604 S		9/1992	Kuczer	D9/449
5,163,559 A		11/1992	Bunin	206/532
D331,877 S		12/1992	Robichaud et al.	D9/449
5,176,277 A		1/1993	Schuermann	220/253
5,193,722 A		3/1993	Groya et al.		
5,195,645 A		3/1993	Schuermann		
D335,817 S		5/1993	Greubel	D9/300
D339,290 S		9/1993	Close	D9/447
D340,188 S		10/1993	Forsyth	D9/449
5,273,177 A		12/1993	Campbell	220/281
5,285,917 A		2/1994	Hofmann	220/212.5
5,339,993 A		8/1994	Groya et al.	222/153
D350,837 S	*	9/1994	Kirby	D28/82
5,346,086 A		9/1994	Harris	220/254
D352,899 S		11/1994	Molo	D9/447
D355,121 S		2/1995	Kohl	D9/447
D355,846 S		2/1995	Denney et al.	D9/449
D363,222 S		10/1995	Lay	D9/447
D363,671 S		10/1995	Mueller	D9/447
5,499,736 A		3/1996	Kohl	220/254
D369,942 S		5/1996	Ahern, Jr.	D7/391
5,531,347 A		7/1996	Goulding	220/256
5,549,214 A		8/1996	Harris		
5,611,451 A		3/1997	Mosior et al.	220/346
5,706,981 A		1/1998	Nobakht	222/132
5,709,232 A	*	1/1998	Sheffler et al.	132/295
5,718,347 A		2/1998	Walker et al.	215/209
5,730,310 A		3/1998	Yoshihara	220/335
5,782,388 A		7/1998	De Nervo	222/546
5,799,838 A		9/1998	Miller	222/480
D403,470 S	*	12/1998	Litton et al.	D28/82
D405,606 S	*	2/1999	Merritt	D3/254
D407,976 S		4/1999	Ekkert	D9/449
D409,086 S	*	5/1999	Brown et al.	D9/428
5,927,535 A		7/1999	Goth	220/254
6,055,992 A	*	5/2000	Skarne	132/293
D426,772 S		6/2000	Kahl	D9/449
H001855 H	*	8/2000	Litton et al.	D28/82
6,102,257 A		8/2000	Goyet	222/498
D432,722 S	*	10/2000	Wardlaw	D28/76
D441,144 S	*	4/2001	Vanoncini	D28/82
D442,338 S	*	5/2001	Roman	D28/82
D448,296 S	*	9/2001	Bried et al.	D9/449

FIG. 2

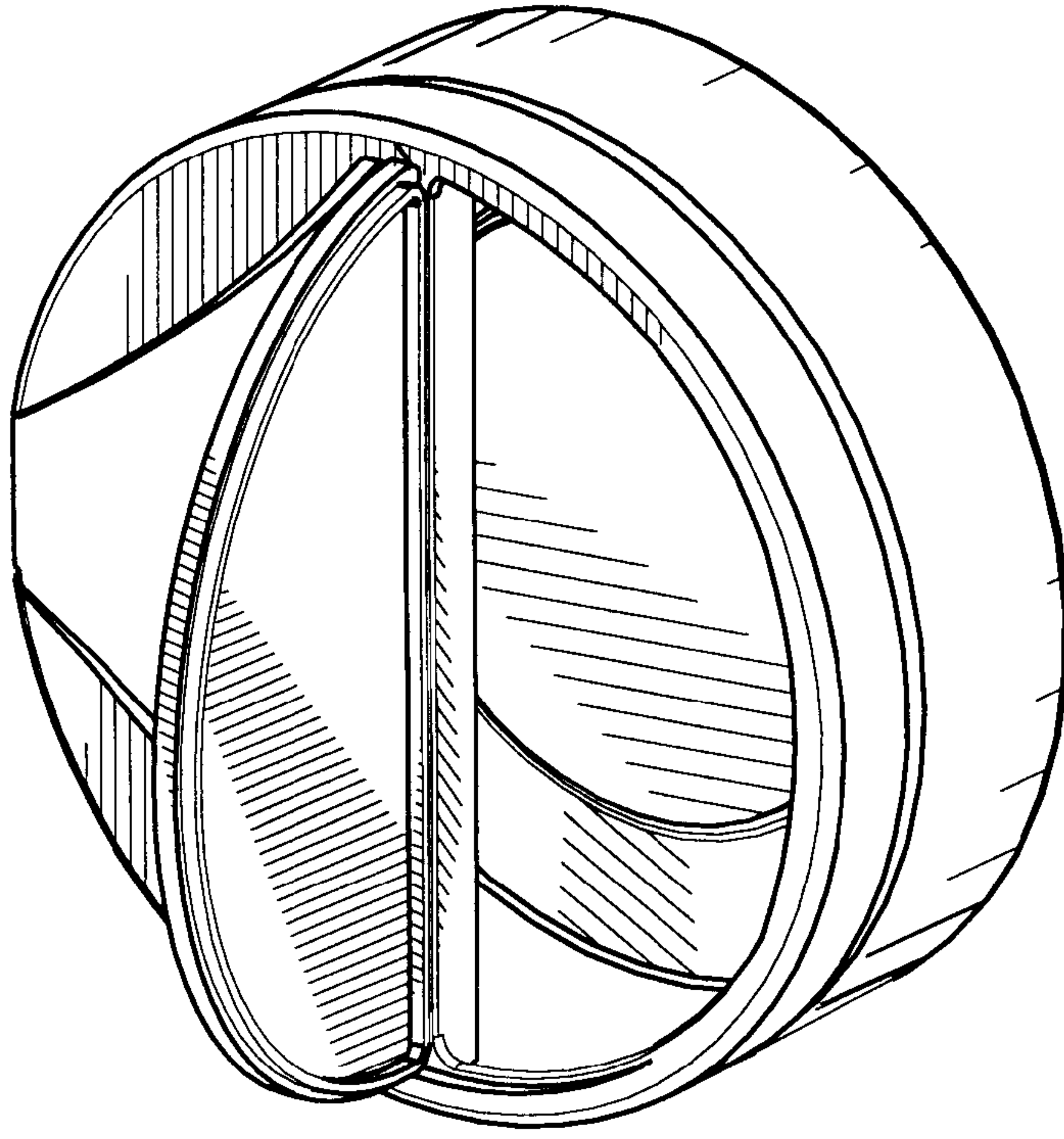


FIG. 1

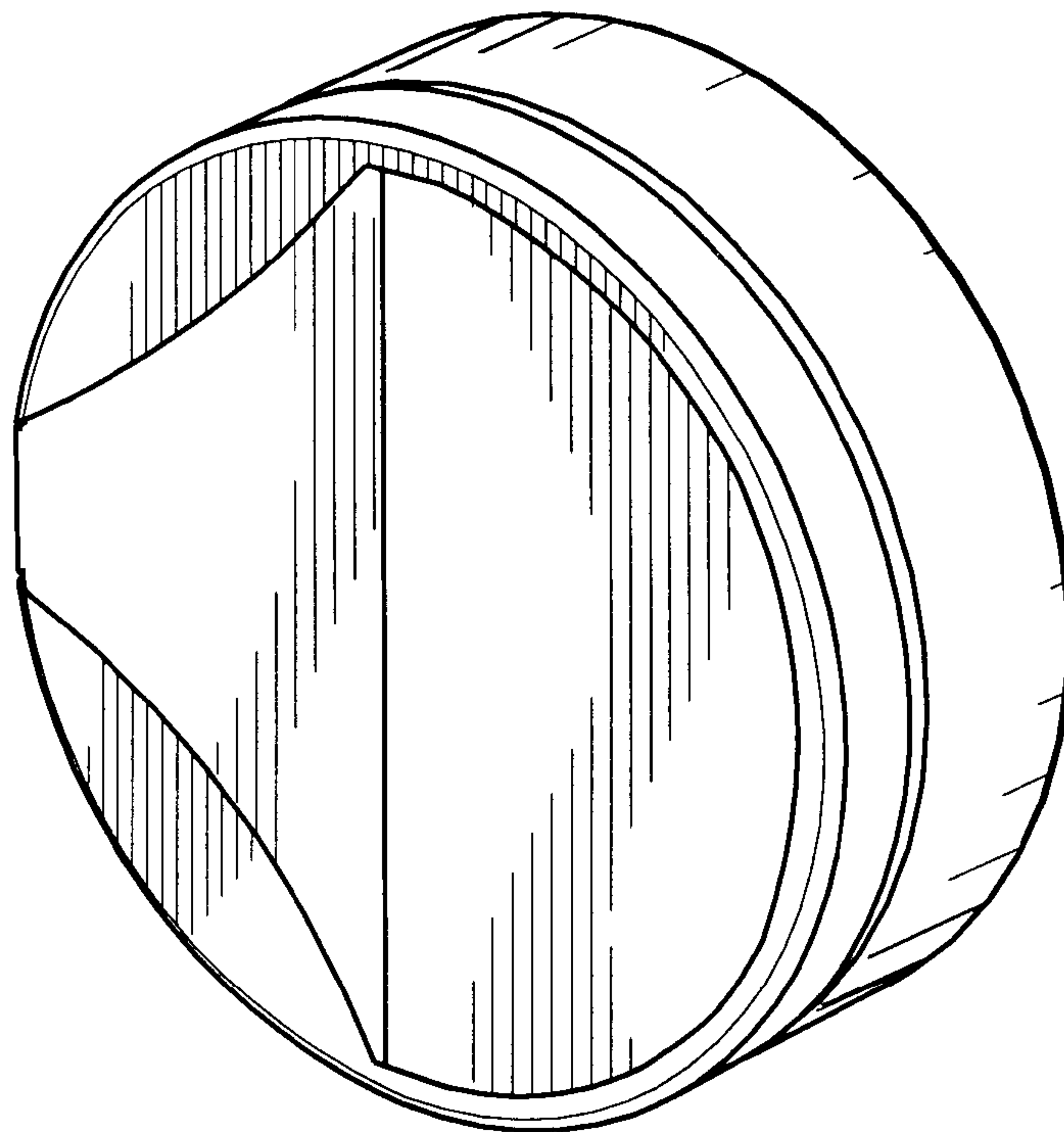


FIG. 4

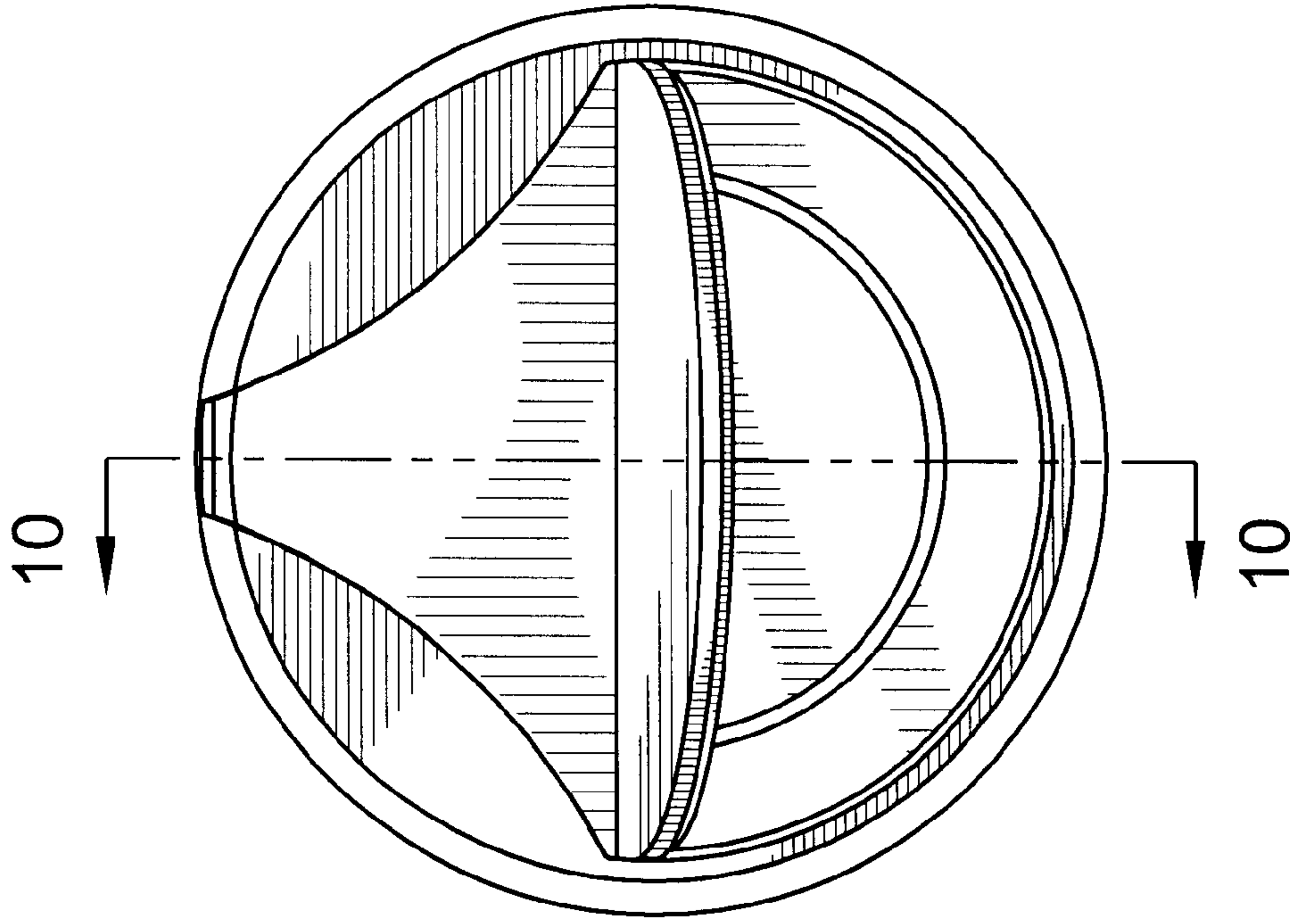


FIG. 3

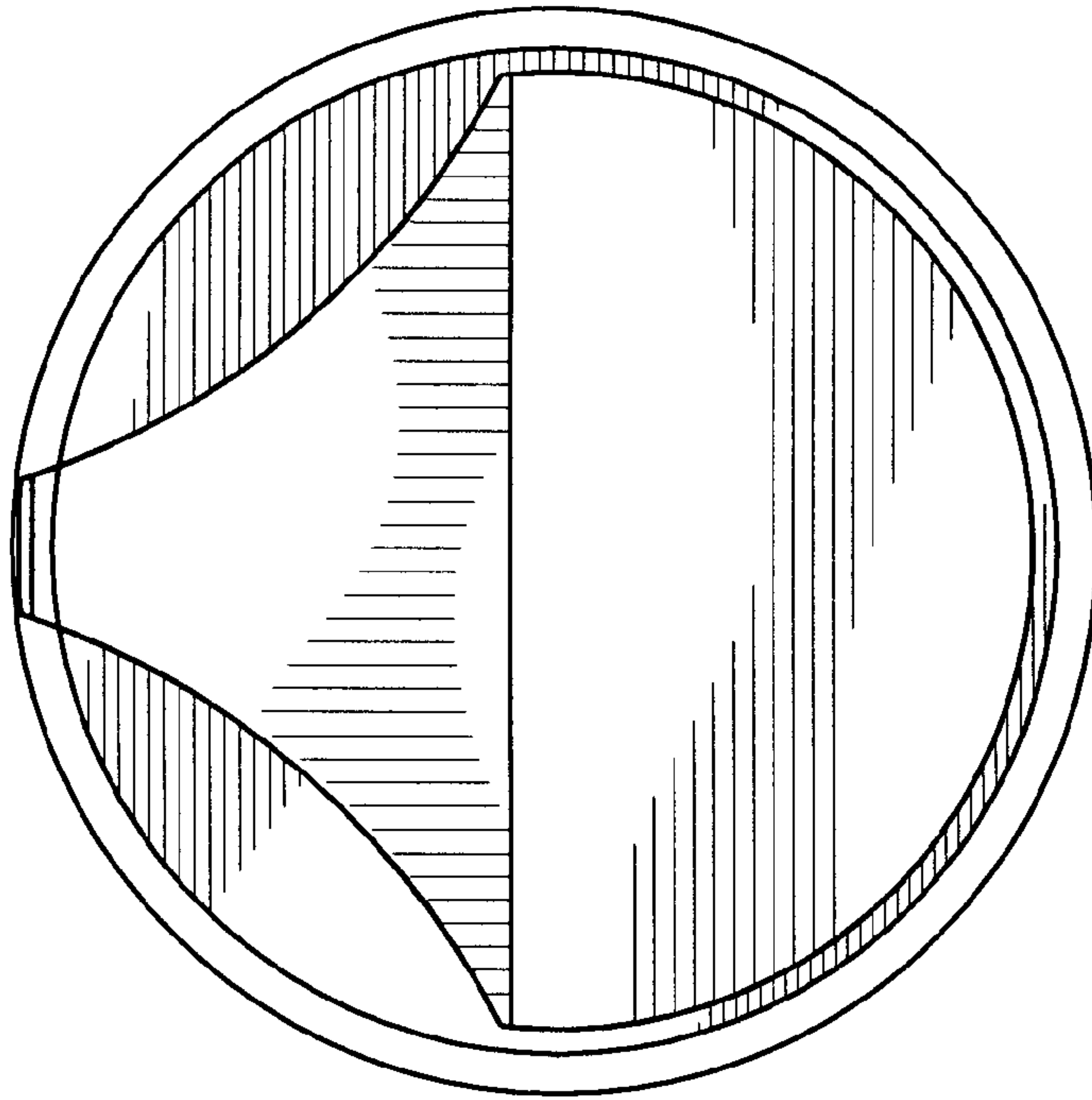


FIG. 6

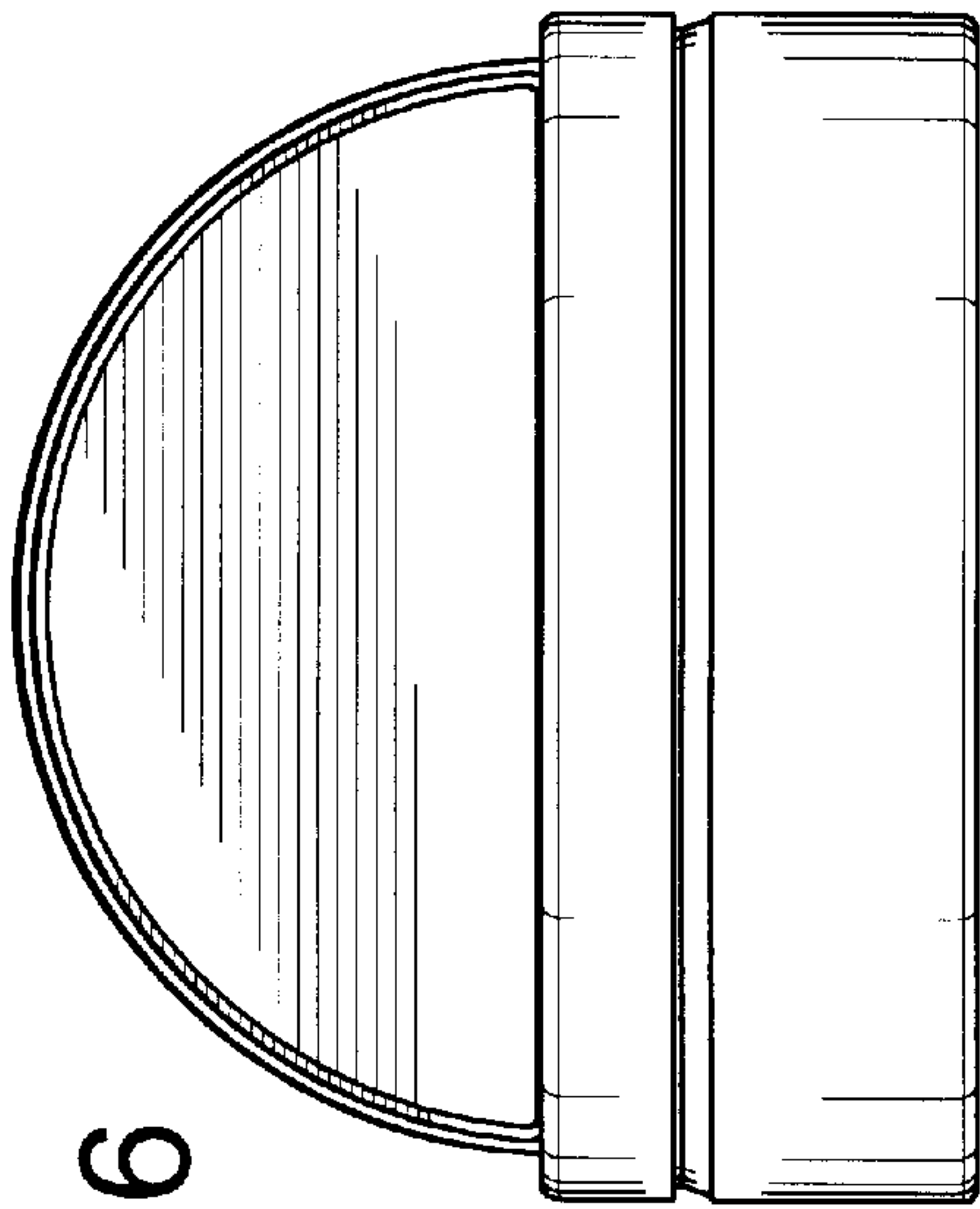


FIG. 8

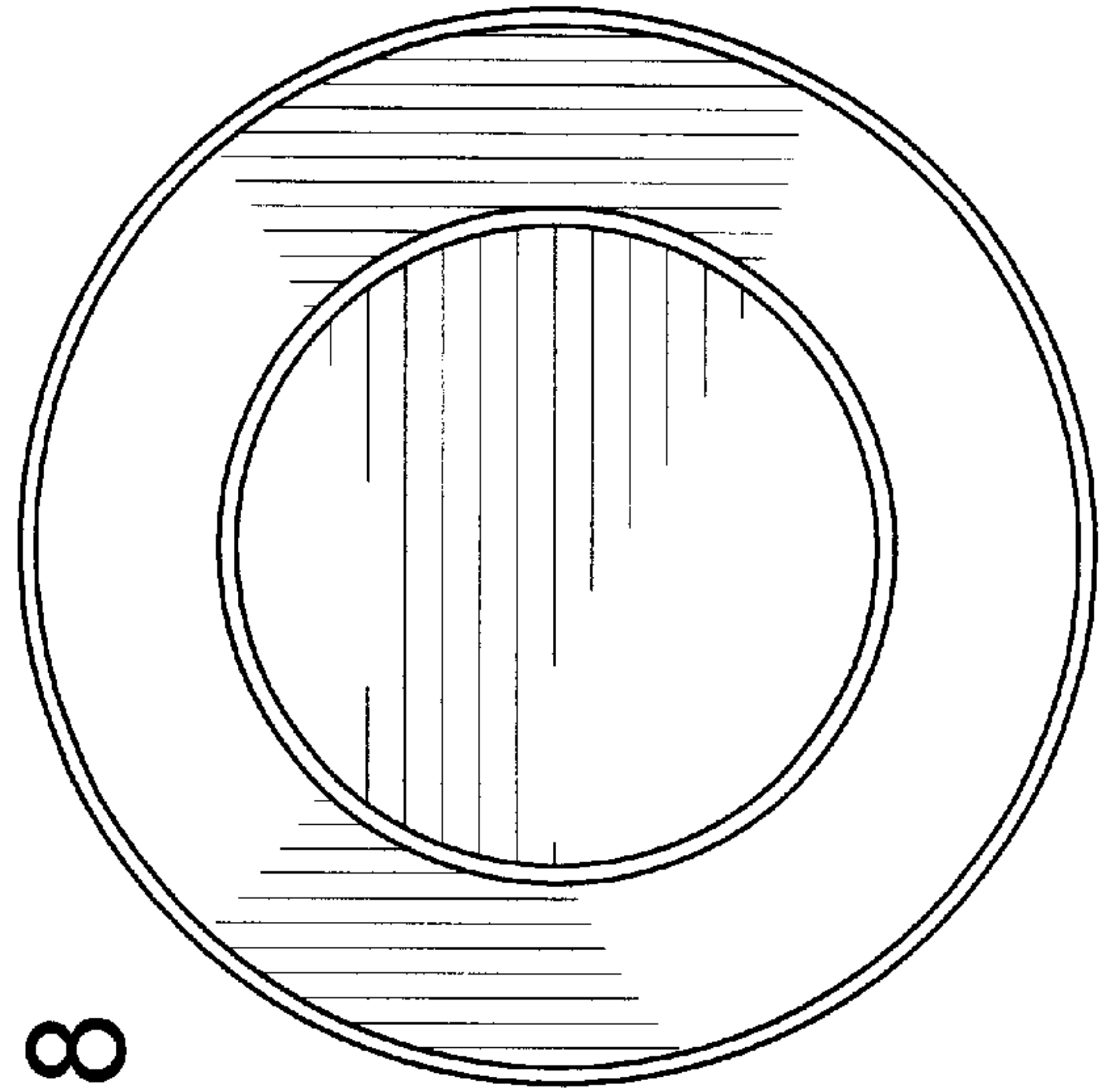


FIG. 5

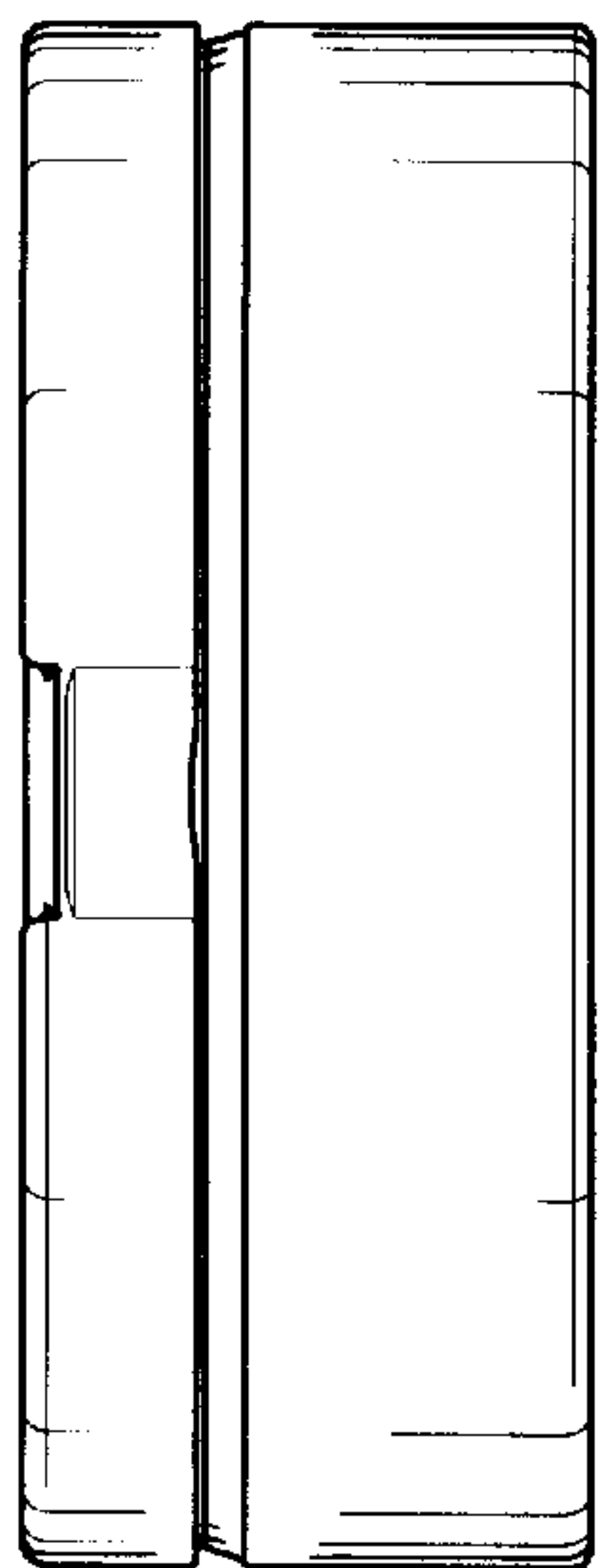
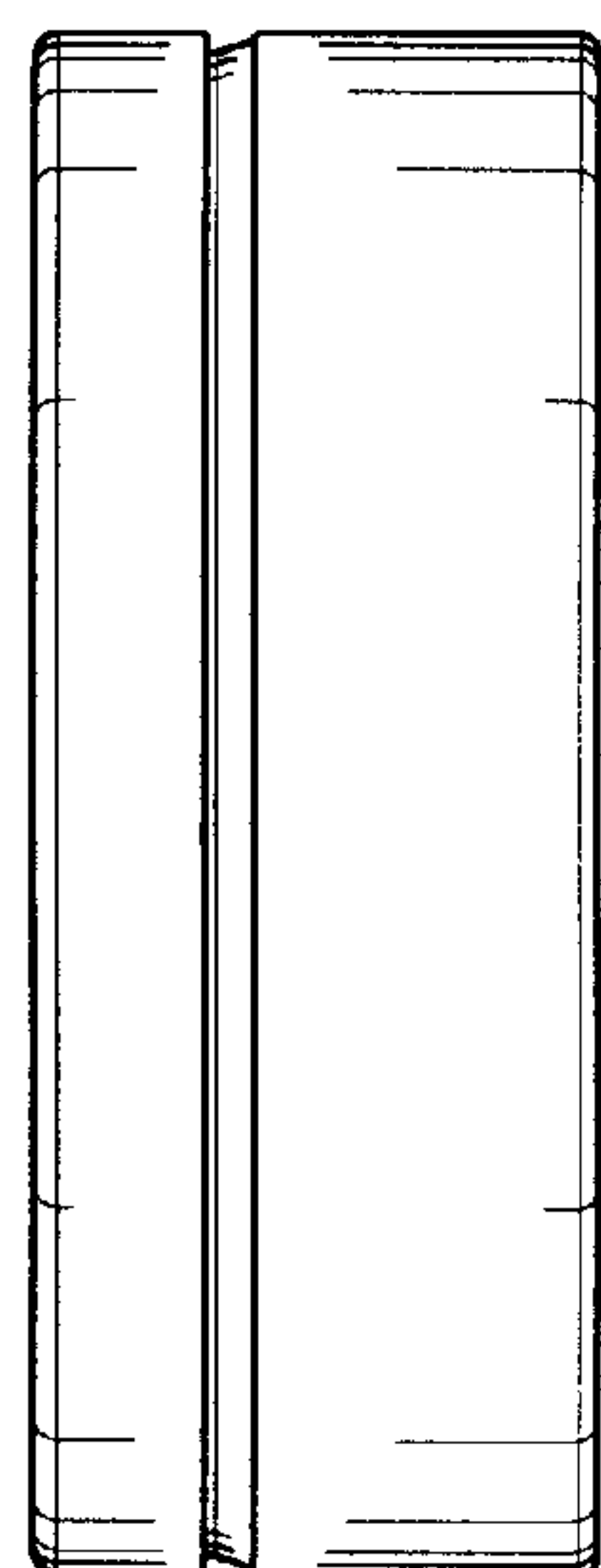


FIG. 7



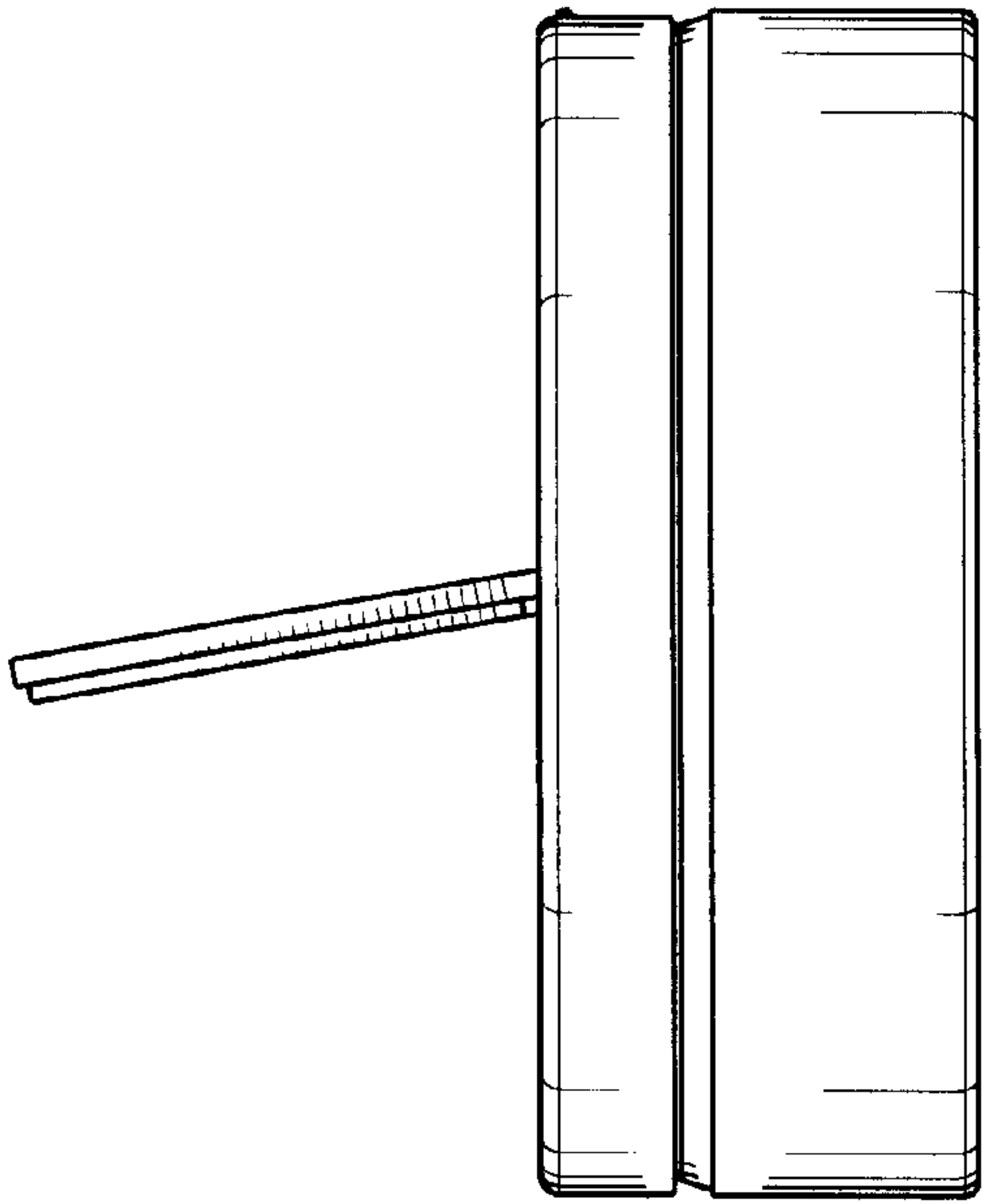


FIG. 9

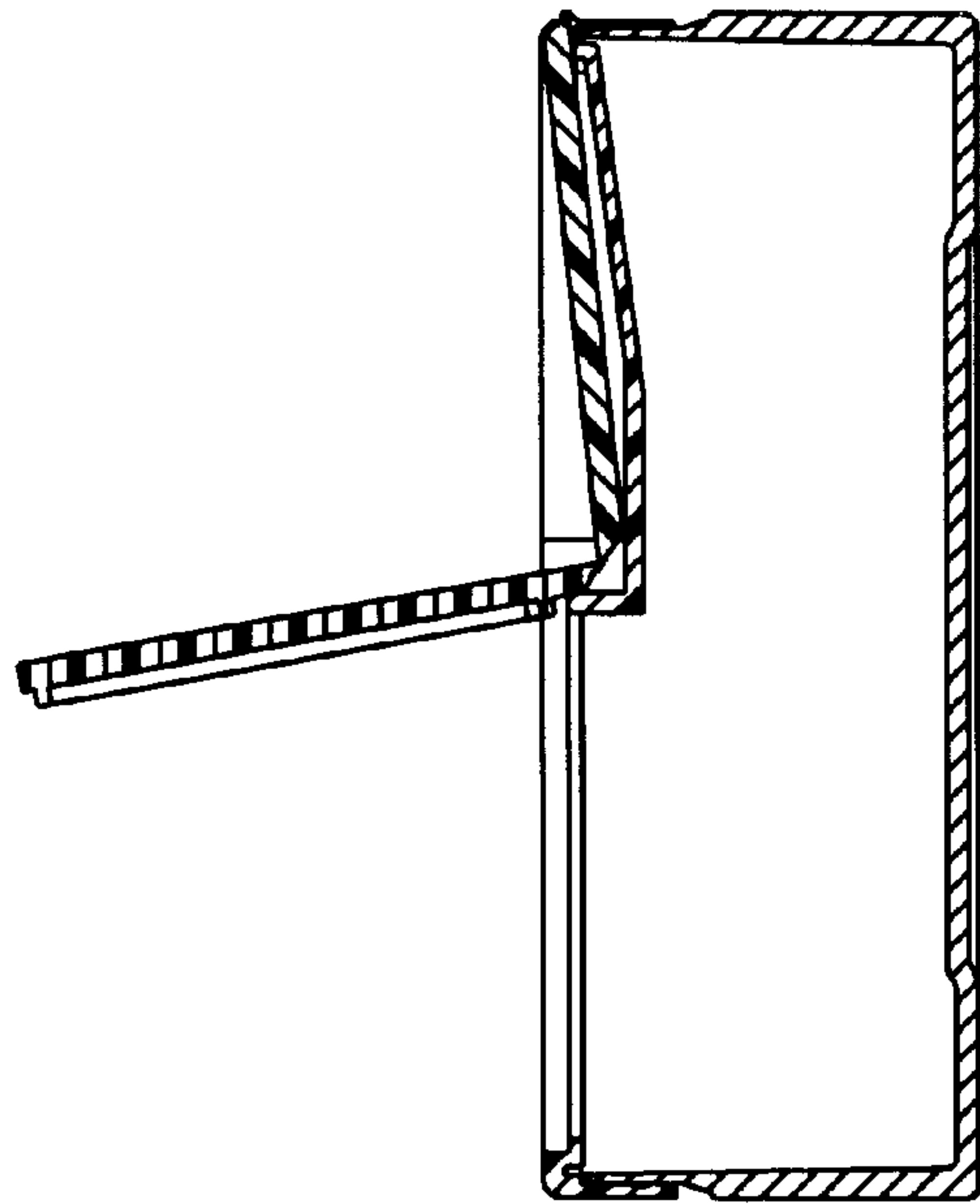


FIG. 10