



US00D464882S

(12) **United States Design Patent**
Weinstein et al.

(10) **Patent No.: US D464,882 S**

(45) **Date of Patent: ** Oct. 29, 2002**

(54) **TUBULAR PACKAGING FOR DEADBOLT**

(75) Inventors: **Michael Weinstein**, Costa Mesa, CA
(US); **Eric E. Thompson**, Costa Mesa,
CA (US)

(73) Assignee: **Emhart LLC**, Newark, DE (US)

(**) Term: **14 Years**

(21) Appl. No.: **29/156,299**

(22) Filed: **Feb. 27, 2002**

Related U.S. Application Data

(62) Division of application No. 29/126,376, filed on Jul. 14,
2000.

(51) **LOC (7) Cl.** **09-03**

(52) **U.S. Cl.** **D9/430**

(58) **Field of Search** D9/430, 432, 434-435,
D9/414-415, 337-338, 341, 344, 500-501,
503; 206/216, 320-321, 325, 349, 446,
486-487, 493, 499, 503, 505, 508, 514,
527, 779, 821-822; 220/23.91, 200, 212,
260, 262, 345.1, 351, 377, 600, 602, 610,
625, 655-656, 660, 662, 665, 667, 694,
699, 702, 729, 890, 916; 229/100, 103,
108-109, 110-115, 122.2, 162, 124-125,
183-184, 190, 800

(56) **References Cited**

U.S. PATENT DOCUMENTS

D75,980 S	*	8/1928	Pfeiffer	
D106,790 S	*	11/1937	Guerlain	
2,316,384 A	*	4/1943	Abramson	229/3.5
2,979,192 A	*	4/1961	Blonder	206/46
3,768,637 A	*	10/1973	Whang	206/765
4,307,803 A		12/1981	Johnson	
4,317,515 A	*	3/1982	Feeley et al.	206/315 R
D266,487 S	*	10/1982	Mansau	D9/430
4,359,182 A		11/1982	Perkins, Jr.	
D299,114 S		12/1988	Klinge	
4,993,623 A		2/1991	Kelly et al.	
D315,095 S		3/1991	Wright	

D315,302 S		3/1991	Kistler	
D320,469 S		10/1991	Hoenig	
5,064,056 A		11/1991	Gresh	
D324,823 S	*	3/1992	Scarpa et al.	D9/430
D328,248 S		7/1992	Ruff	
D328,706 S	*	8/1992	Ruff	D9/430
D361,262 S	*	8/1995	Lusker	D9/430
D367,226 S		2/1996	Ransbottom	
5,718,335 A		2/1998	Boudreaux	
D394,384 S		5/1998	Humphrey	
5,816,411 A		10/1998	Smith	
D405,370 S		2/1999	Humphrey	
D406,056 S		2/1999	Flores et al.	
D406,528 S		3/1999	Flores et al.	
5,890,593 A		4/1999	Humphrey	
D414,108 S		9/1999	Humphrey	
6,047,833 A	*	4/2000	Salomon	206/765
D424,427 S		5/2000	Saputo et al.	

OTHER PUBLICATIONS

Proscking Plastic Products Inc., Taiwan Trade Pages Corp.,
vol. C92, Apr. 1998.

Taiwan Trade Pages Corp., vol. C96, Apr. 1999 (p. 1475).

* cited by examiner

Primary Examiner—Ted Shooman

Assistant Examiner—Daniel Bui

(74) *Attorney, Agent, or Firm*—Harness, Dickey & Pierce,
P.L.C.

(57) **CLAIM**

The ornamental design for tubular packaging for deadbolt,
as shown and described.

DESCRIPTION

FIG. 1 is a perspective view of tubular packaging for a
deadbolt;

FIG. 2 is a top view thereof (the bottom view being identical
to the top);

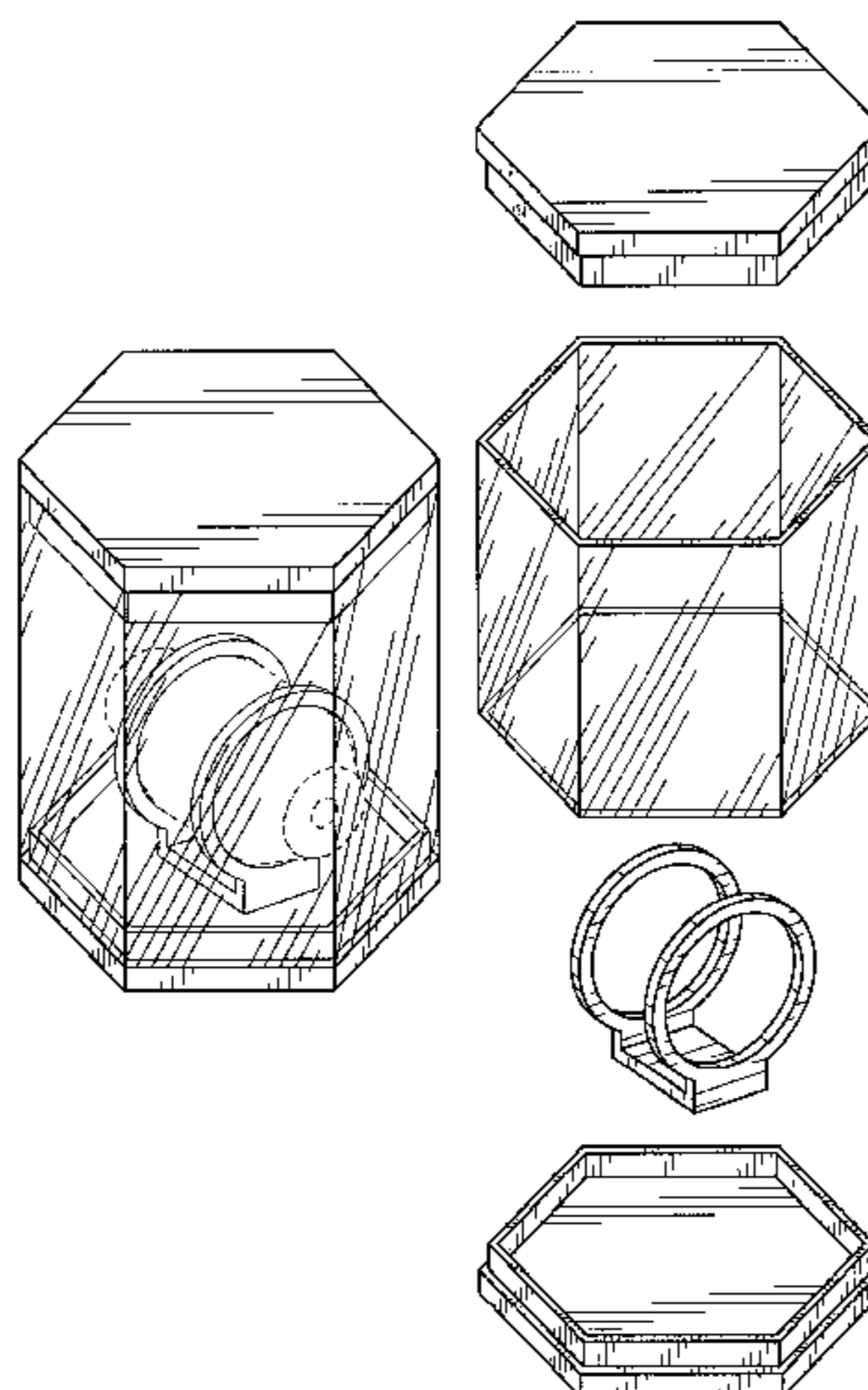
FIG. 3 is a front view thereof (the back view being identical
to the front);

FIG. 4 is an exploded perspective view thereof; and,

FIG. 5 is a right side view thereof (the left side view being
identical to the right).

The broken line showing of the environment is for illustra-
tive purposes only and forms no part of the claimed design.

1 Claim, 3 Drawing Sheets



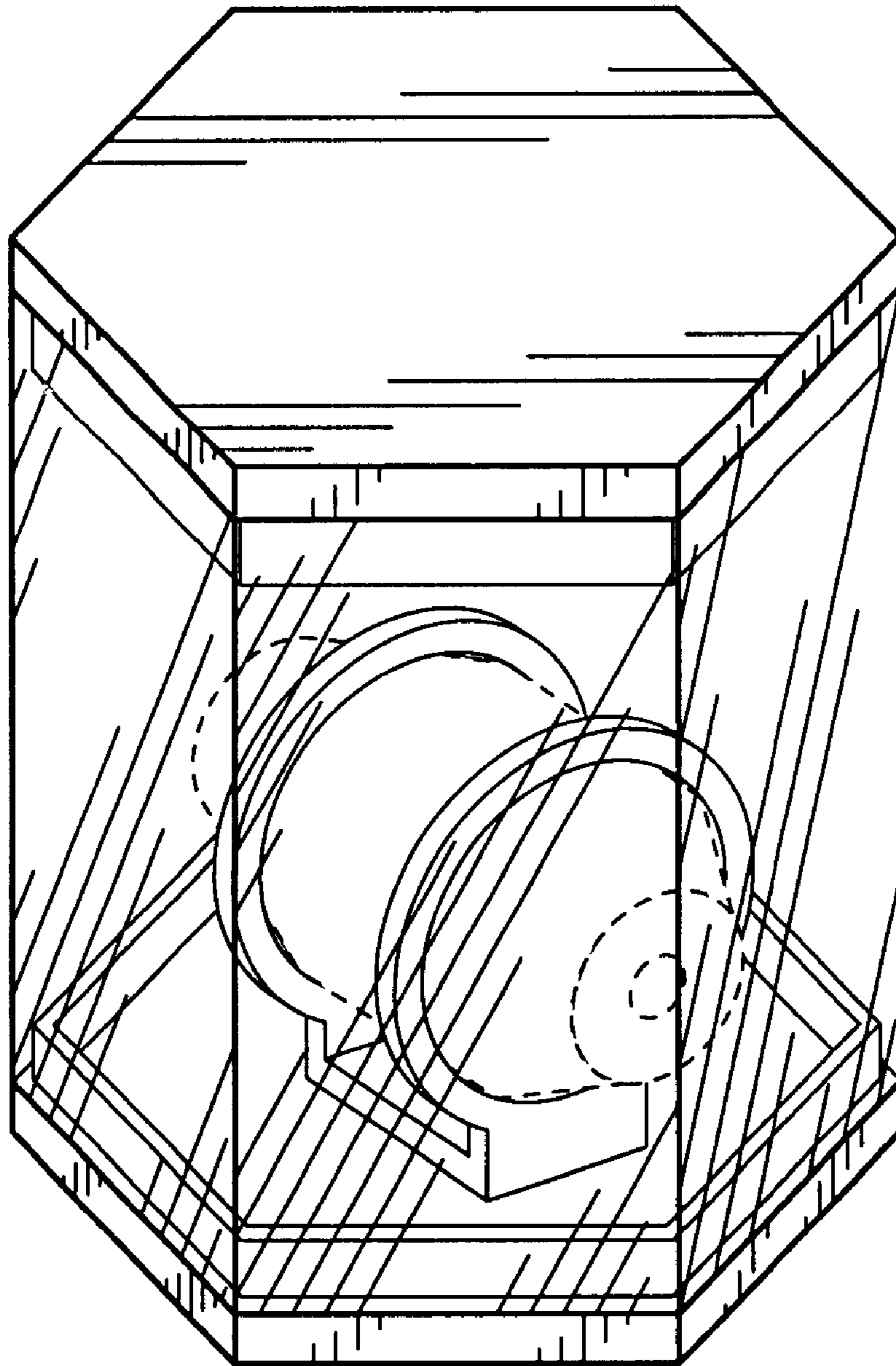


FIG. 1

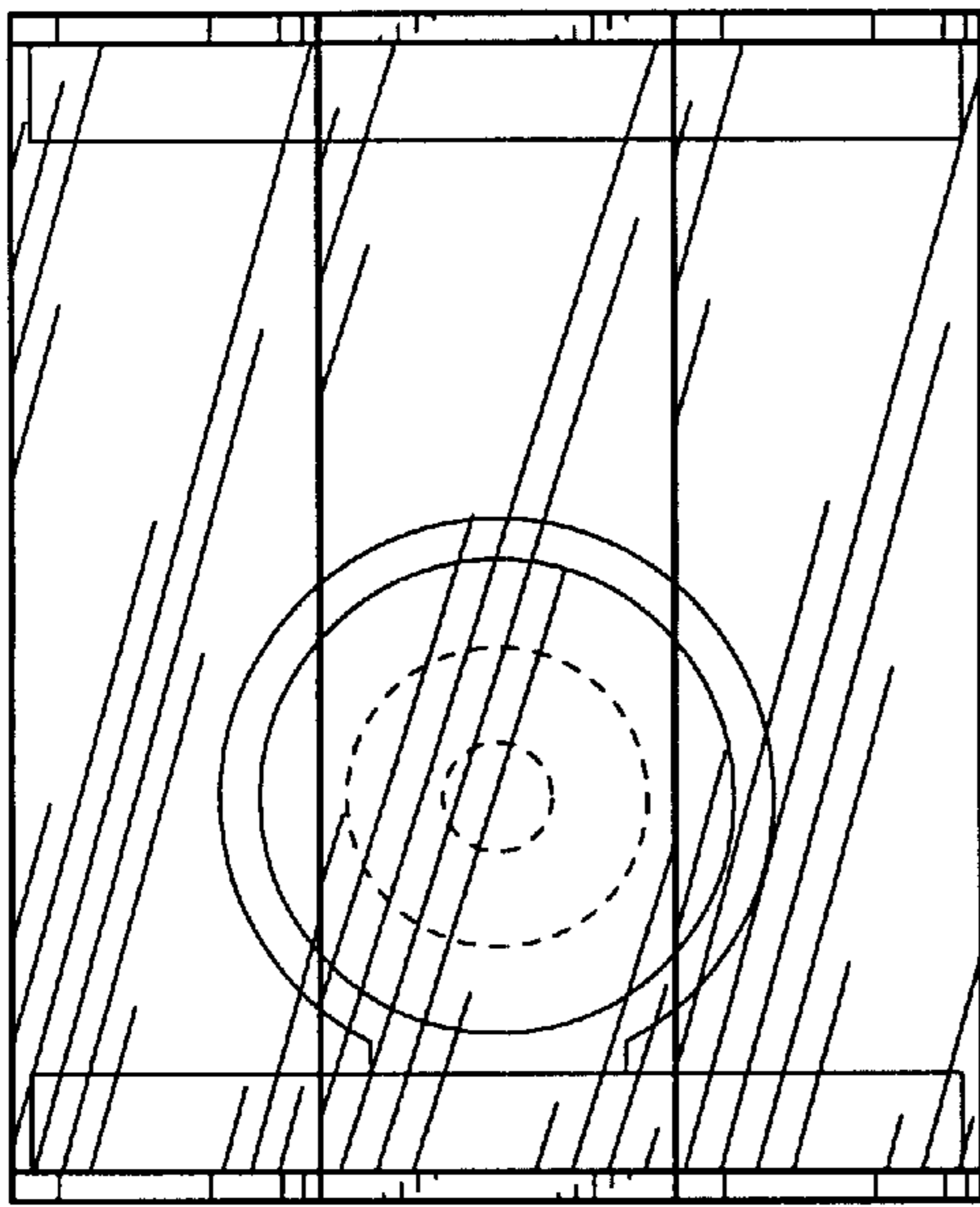


FIG. 3

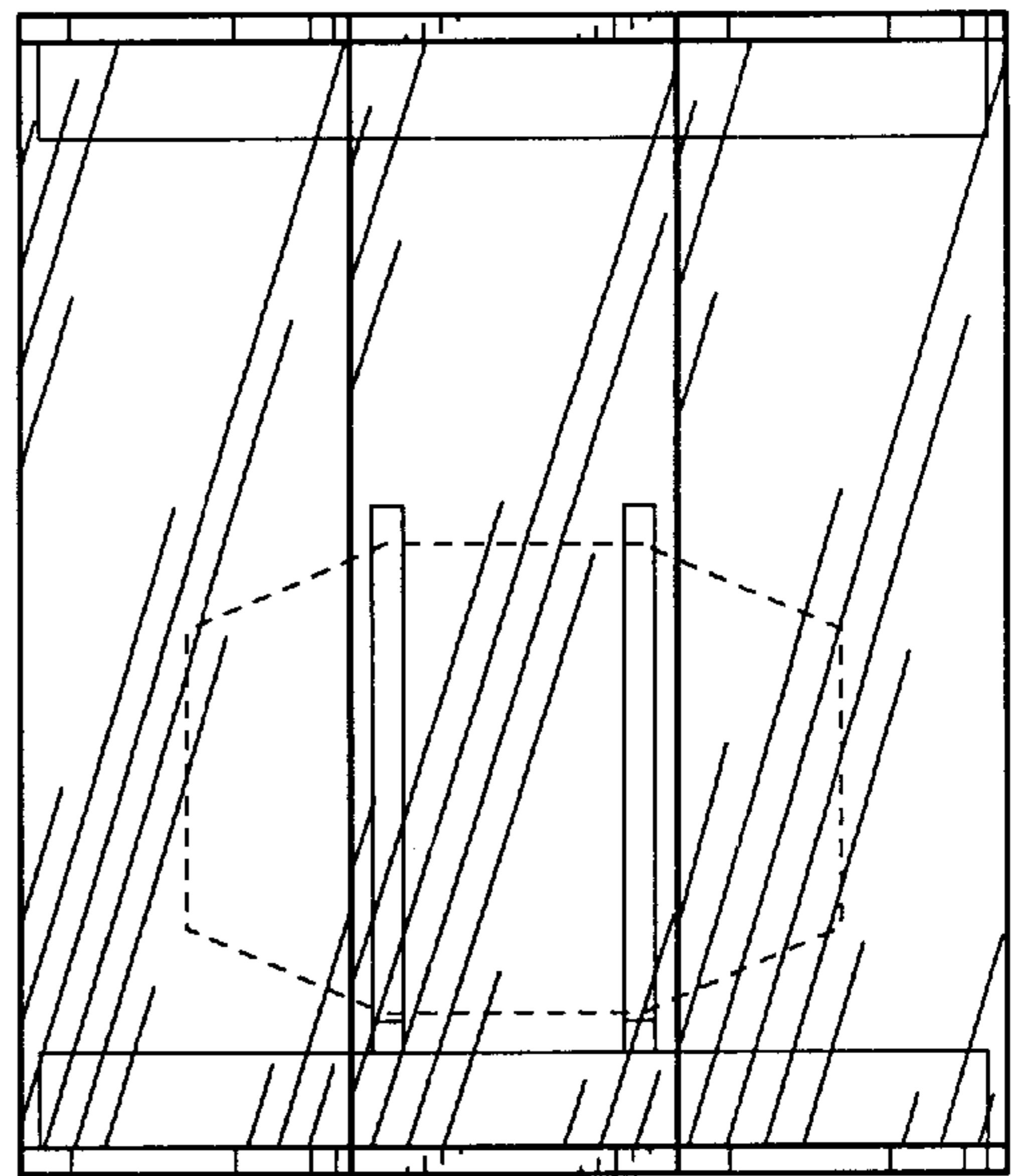


FIG. 5

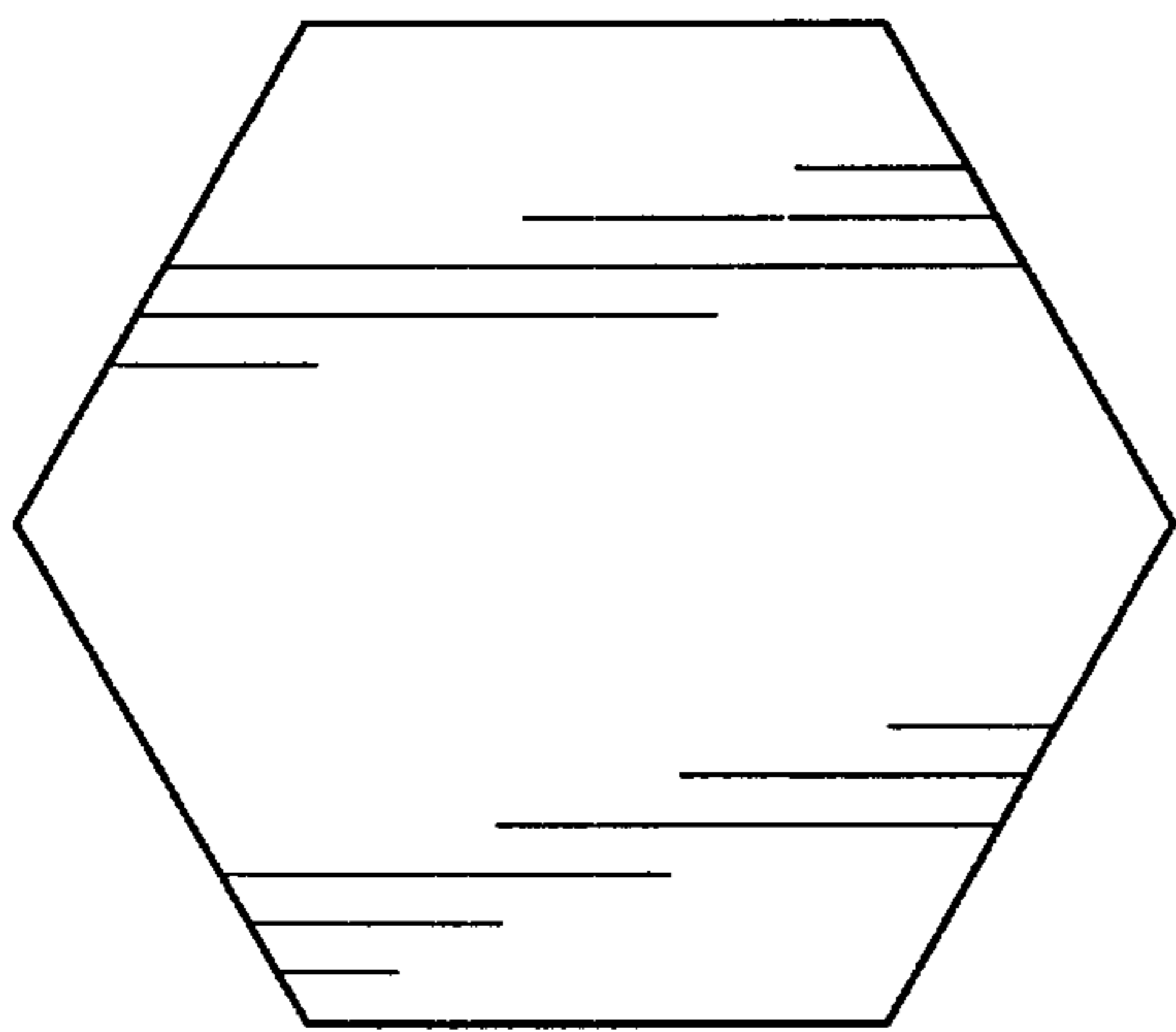


FIG. 2

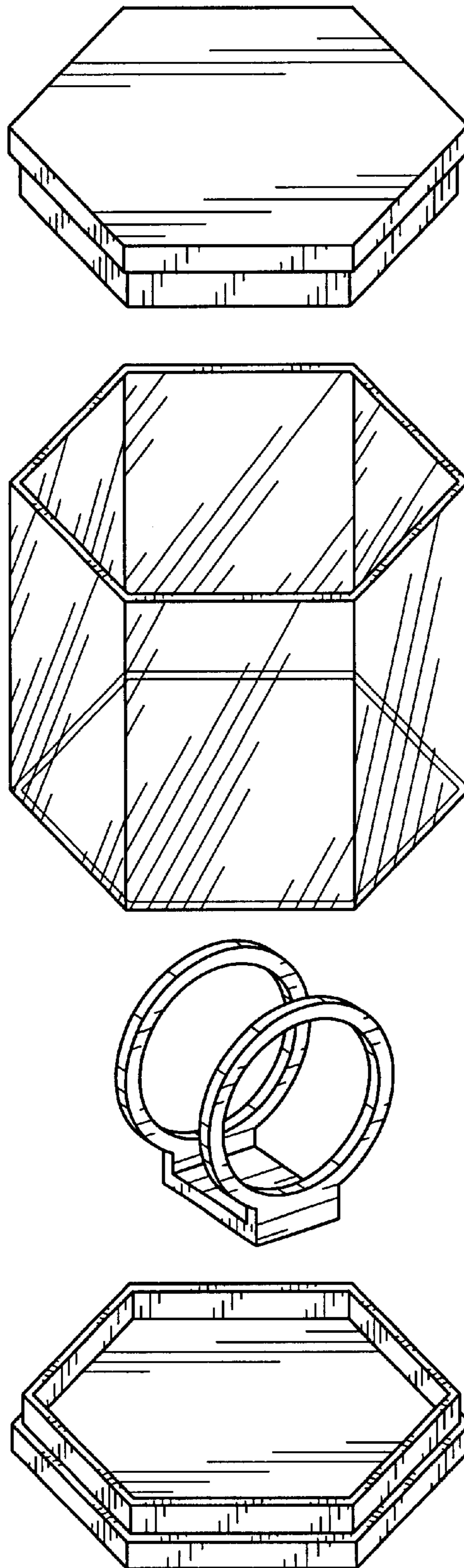


FIG. 4