



US00D464878S

(12) **United States Design Patent**  
**Thompson**

(10) **Patent No.:** **US D464,878 S**

(45) **Date of Patent:** **\*\* Oct. 29, 2002**

(54) **PACKAGE FOR BRIDAL FLATWARE**

(75) Inventor: **Stephen W. Thompson**, Oneida, NY (US)

(73) Assignee: **Oneida Ltd.**, Oneida, NY (US)

(\*\*) Term: **14 Years**

(21) Appl. No.: **29/149,389**

(22) Filed: **Oct. 8, 2001**

(51) **LOC (7) Cl.** ..... **09-03**

(52) **U.S. Cl.** ..... **D9/418; D9/432; D9/415**

(58) **Field of Search** ..... D9/415, 418, 432, D9/337, 414; 206/769-774, 775-783, 223, 216, 576, 583, 806, 471; 229/162, 116.1-116.5, 117.09, 117.17, 122, 922, 923

(56) **References Cited**

**U.S. PATENT DOCUMENTS**

424,216 A	*	3/1890	Leise	206/553
2,771,188 A	*	11/1956	Coulter	206/553
3,291,777 A	*	12/1966	Desmond	206/779
D267,474 S	*	1/1983	Maroszel	D9/418
4,511,040 A	*	4/1985	Tolentino	206/553

4,739,353 A	*	4/1988	Heuer et al.	206/776
5,100,002 A	*	3/1992	Garran	206/457
5,375,700 A	*	12/1994	Joss et al.	206/776
D371,965 S	*	7/1996	Kinni	D9/432
D389,737 S	*	1/1998	Bader	D8/418
D406,529 S	*	3/1999	Grossman et al.	D9/418

\* cited by examiner

*Primary Examiner*—Prabhakar Deshmukh

(74) *Attorney, Agent, or Firm*—Wall Marjama & Bilinski LLP

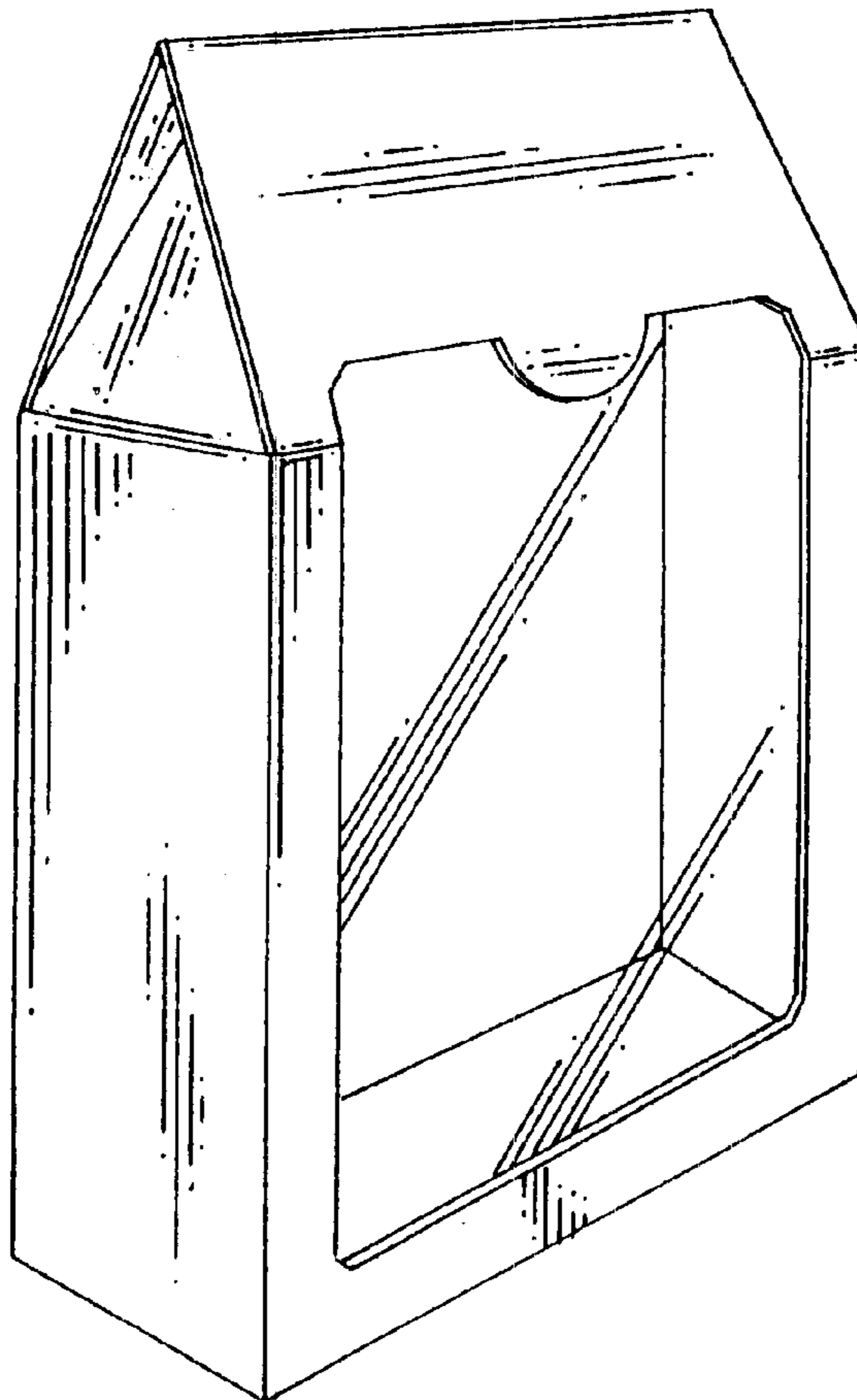
(57) **CLAIM**

The ornamental design for a package for bridal flatware, as shown and described.

**DESCRIPTION**

FIG. 1 is a front perspective view of a package for bridal flatware, illustrating my new Design; FIG. 2 is a front elevation view thereof; FIG. 3 is a right side view thereof; FIG. 4 is left side view thereof; FIG. 5 is a rear elevation view thereof; FIG. 6 is a top view thereof; and, FIG. 7 is a bottom view.

**1 Claim, 2 Drawing Sheets**



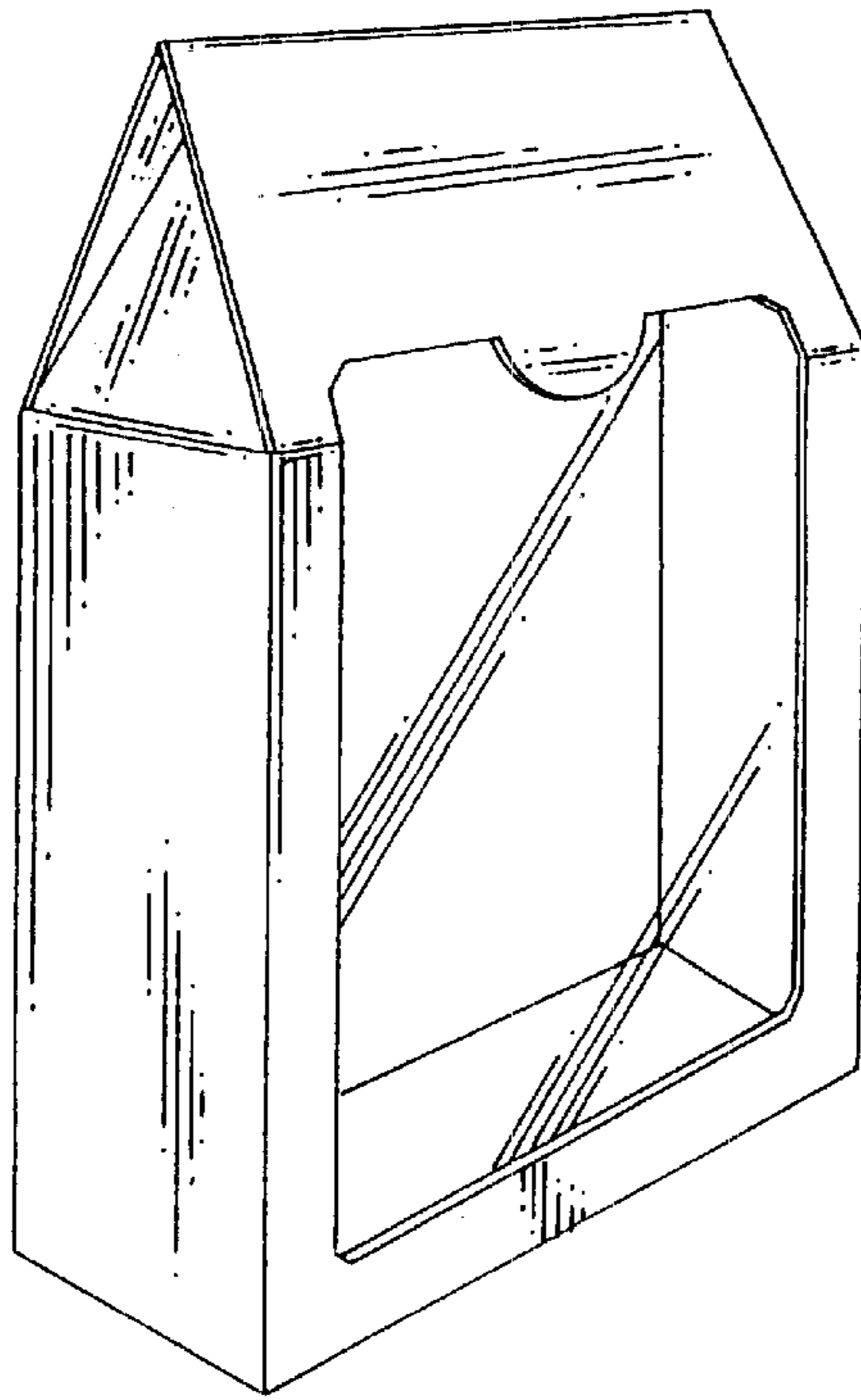


FIG. 1

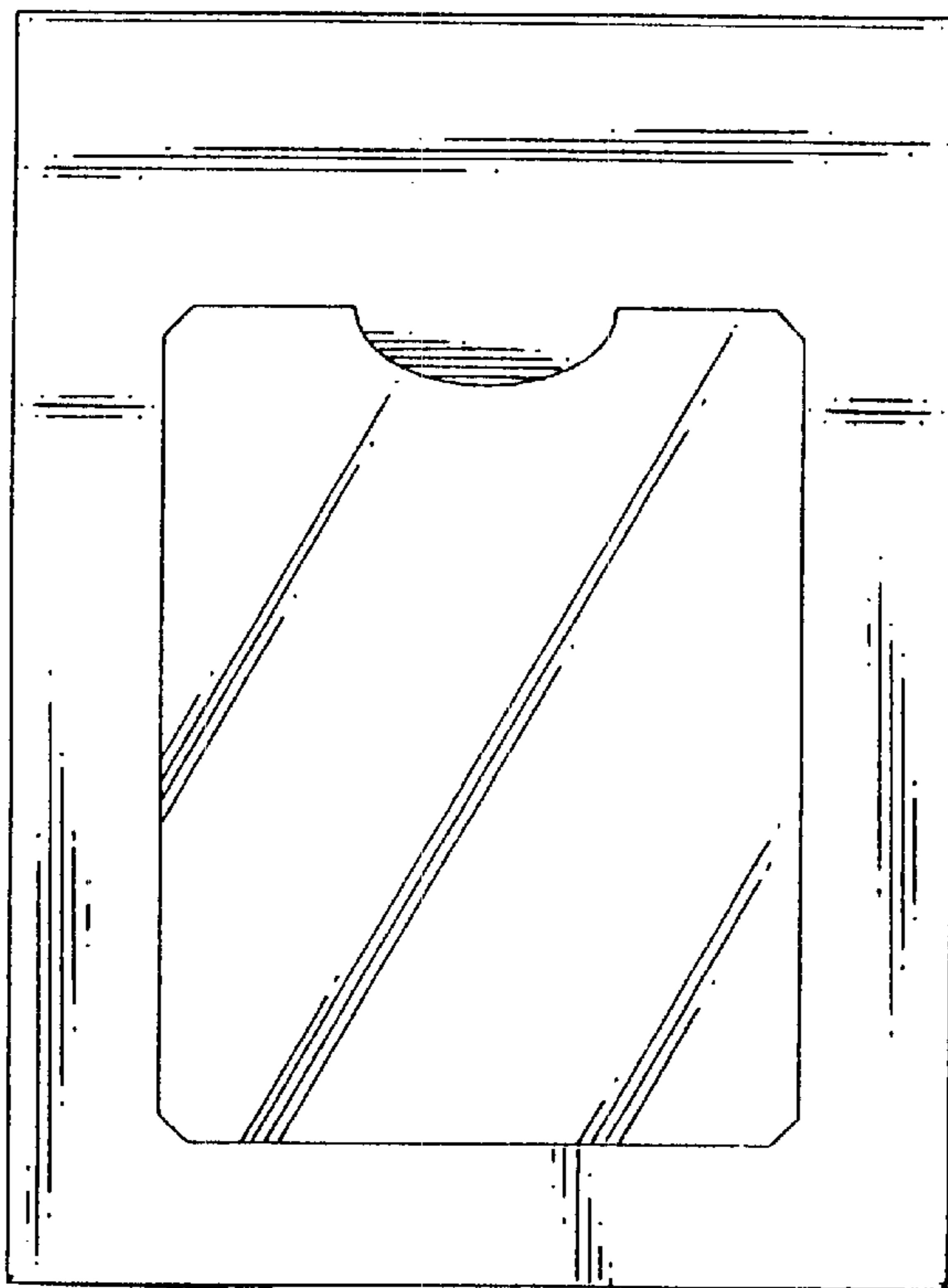


FIG. 2

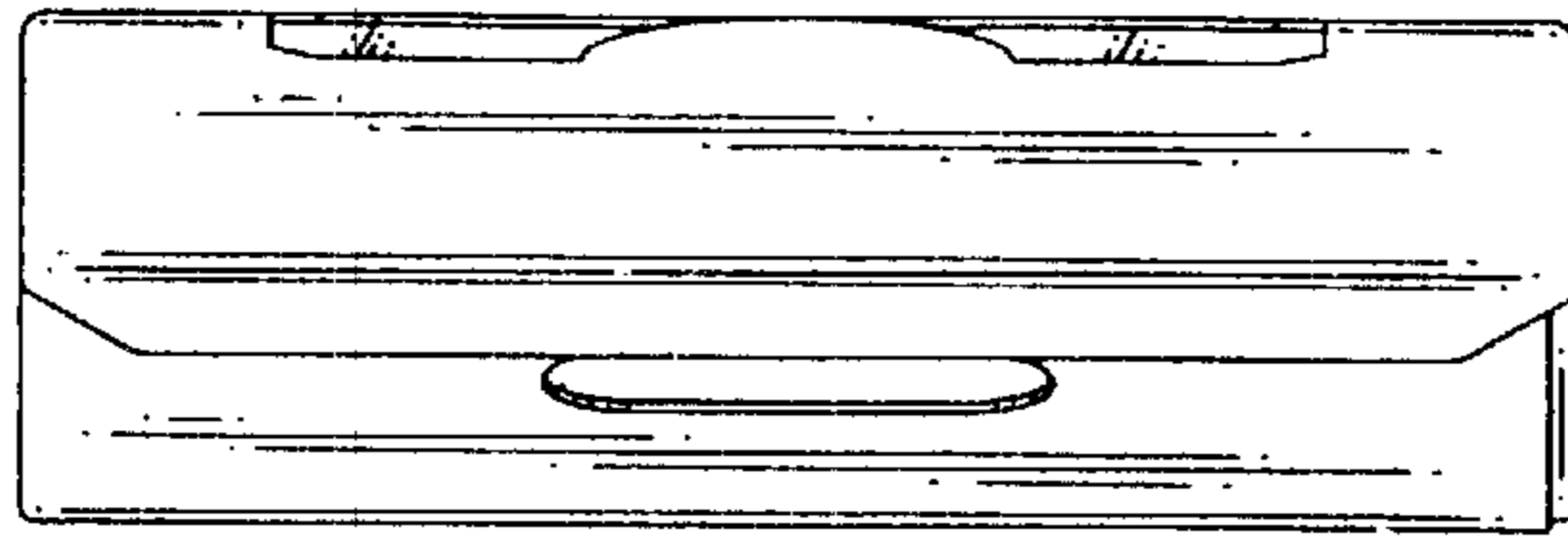


FIG. 6

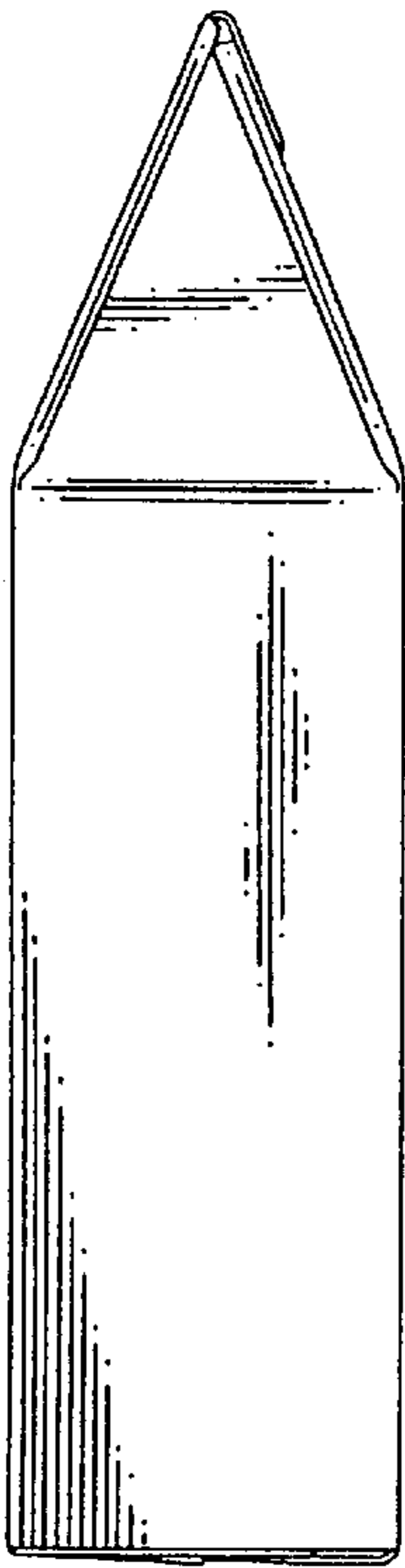


FIG. 3

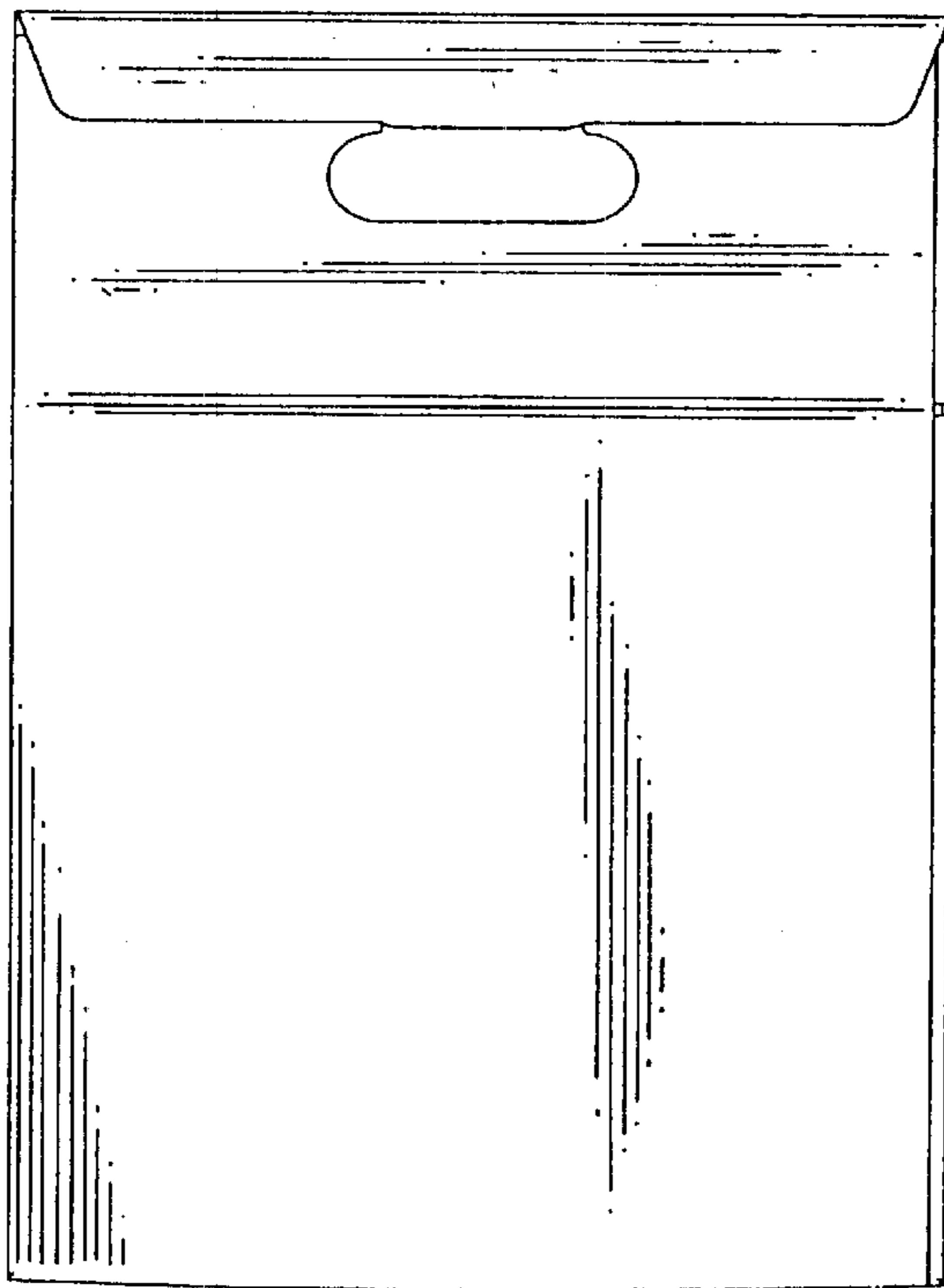


FIG. 5

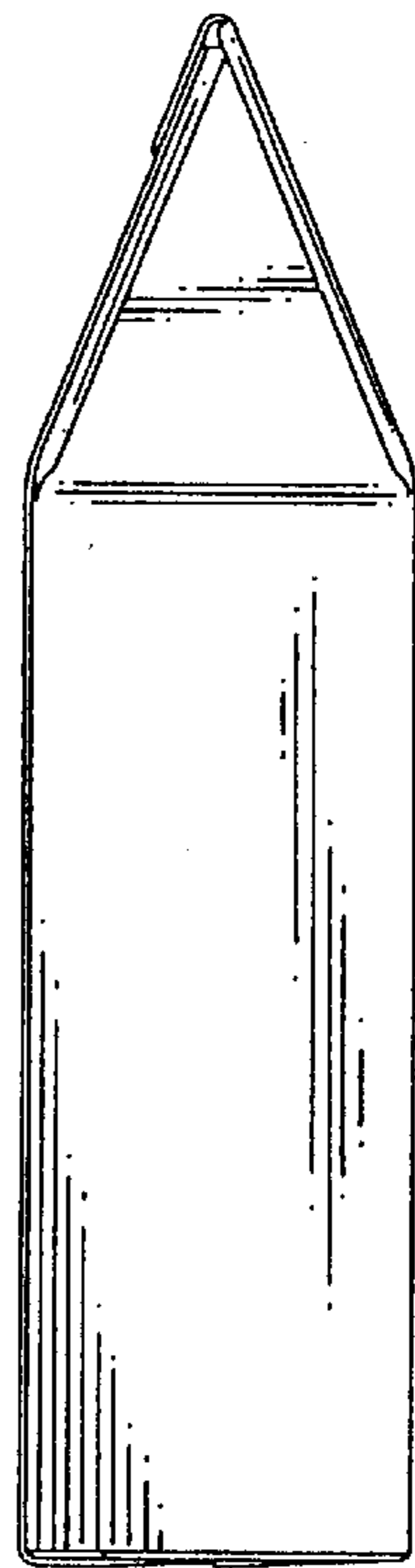


FIG. 4

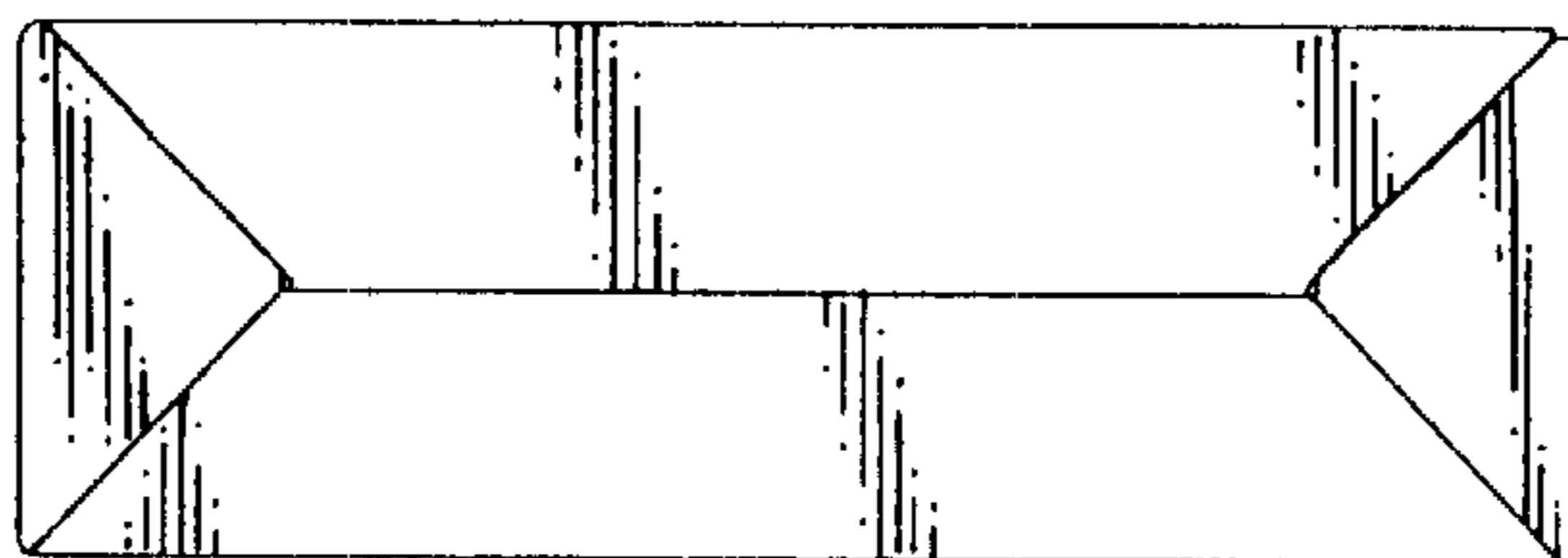


FIG. 7