



US00D464877S

(12) **United States Design Patent**
Weinstein et al.

(10) **Patent No.:** **US D464,877 S**

(45) **Date of Patent:** **** Oct. 29, 2002**

(54) **TUBULAR PACKAGING**

(75) Inventors: **Michael Weinstein**, Anaheim, CA (US);
Eric E. Thompson, Brea, CA (US)

(73) Assignee: **Emhart LLC**, Newark, DE (US)

(**) Term: **14 Years**

(21) Appl. No.: **29/147,109**

(22) Filed: **Aug. 22, 2001**

(51) **LOC (7) Cl.** **09-03**

(52) **U.S. Cl.** **D9/418; D9/428**

(58) **Field of Search** D9/415, 418, 428,
D9/429, 341, 346; 206/751-765, 769-773,
775-781, 230, 303, 320, 321, 349, 372,
457-459.1, 580, 407; 229/162

(56) **References Cited**

U.S. PATENT DOCUMENTS

3,185,296	A	*	5/1965	Schlage	206/776
3,406,816	A		10/1968	Green et al.		
D244,259	S		5/1977	Bergstein		
4,099,612	A		7/1978	Hanson		
D249,639	S	*	9/1978	Hogg et al.	D9/415
4,261,461	A	*	4/1981	Kizlauskas	206/765
4,307,803	A		12/1981	Johnson		
4,359,182	A		11/1982	Perkins, Jr.		
D289,143	S		4/1987	Guillaume		
D299,114	S		12/1988	Klinge		
4,993,623	A		2/1991	Kelly et al.		
D315,095	S		3/1991	Wright		
D315,302	S		3/1991	Kistler		
D320,469	S		10/1991	Hoening		
5,064,056	A		11/1991	Gresh		
D328,248	S		7/1992	Ruff		
5,261,848	A	*	11/1993	Kaplan et al.	220/662
5,263,889	A	*	11/1993	Ledonne	206/579
5,282,541	A	*	2/1994	Chen	215/229
D350,460	S		9/1994	Picozza et al.		
5,350,058	A		9/1994	Keough		

5,411,138	A	*	5/1995	Klawiter	206/459.1
D362,801	S		10/1995	Milroy		
D367,226	S		2/1996	Ransbottom		
5,718,335	A		2/1998	Boudreaux		
D394,384	S		5/1998	Humphrey		
D398,226	S	*	9/1998	Lai et al.	D9/415
5,816,411	A		10/1998	Smith		
D400,787	S		11/1998	Keener		
D405,370	S		2/1999	Humphrey		
D406,056	S		2/1999	Flores et al.		
D406,528	S		3/1999	Flores et al.		
5,890,593	A		4/1999	Humphrey		
D414,108	S		9/1999	Humphrey		
5,947,291	A	*	9/1999	Humphrey	206/471
D424,427	S		8/2000	Saputo et al.		
D434,980	S		12/2000	Suzuki		

* cited by examiner

Primary Examiner—Prabhakar Deshmukh
(74) *Attorney, Agent, or Firm*—Richard J. Veltman; John D. Del Ponti

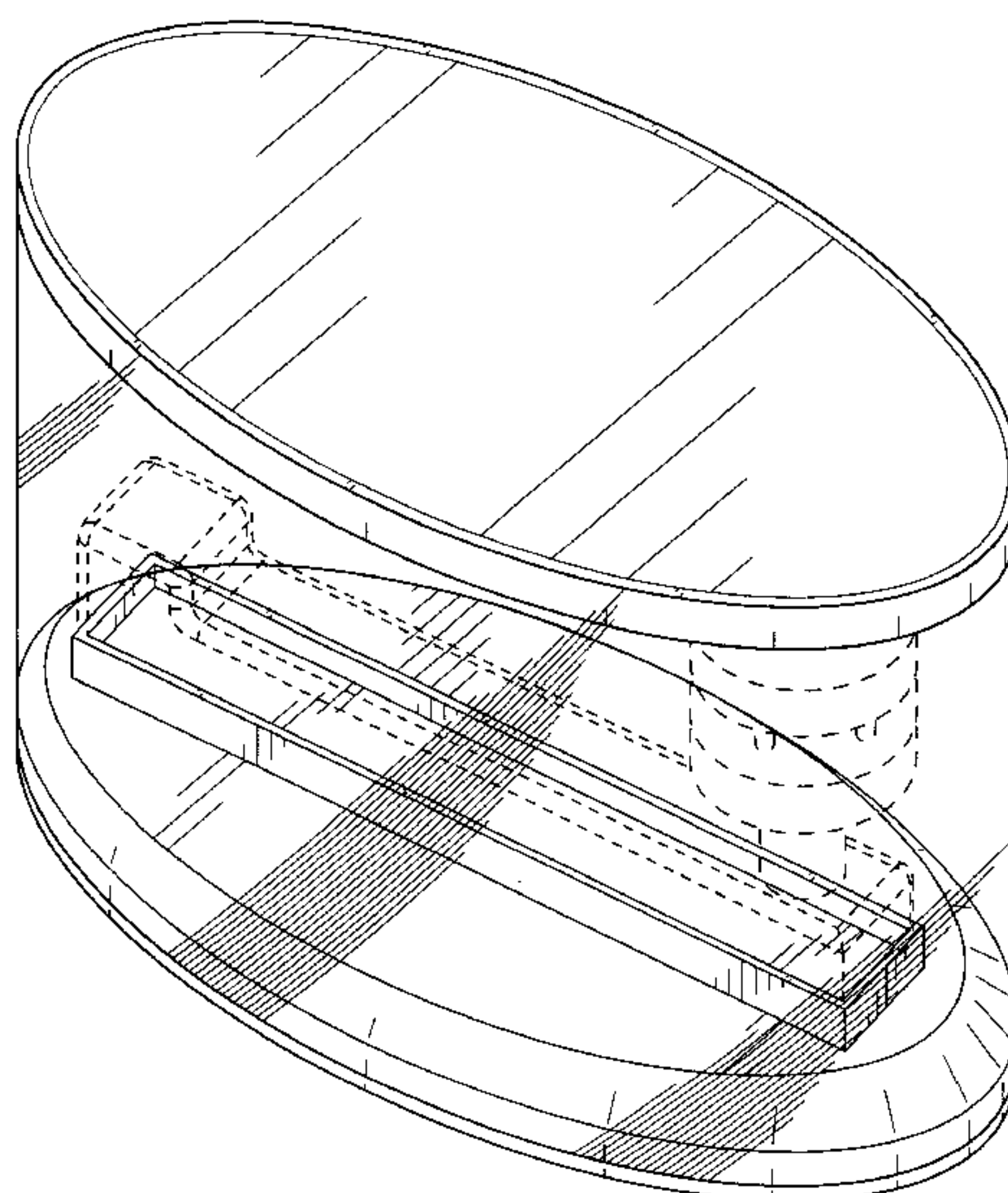
(57) **CLAIM**

The ornamental design for a tubular packaging, as shown and described.

DESCRIPTION

FIG. 1 is a perspective view of the new design for a tubular packaging;
FIG. 2 is an exploded perspective view illustrating the components of the new design for a tubular packaging;
FIG. 3 is a front elevational view of the new design for a tubular packaging, it being understood that the rear elevational view is identical thereto;
FIG. 4 is a top plan view of the new design for a tubular packaging, it being understood that the bottom plan view is identical thereto; and,
FIG. 5 is a right side elevational view of the new design for a tubular packaging, it being understood that the left side elevational view is identical thereto.

1 Claim, 4 Drawing Sheets



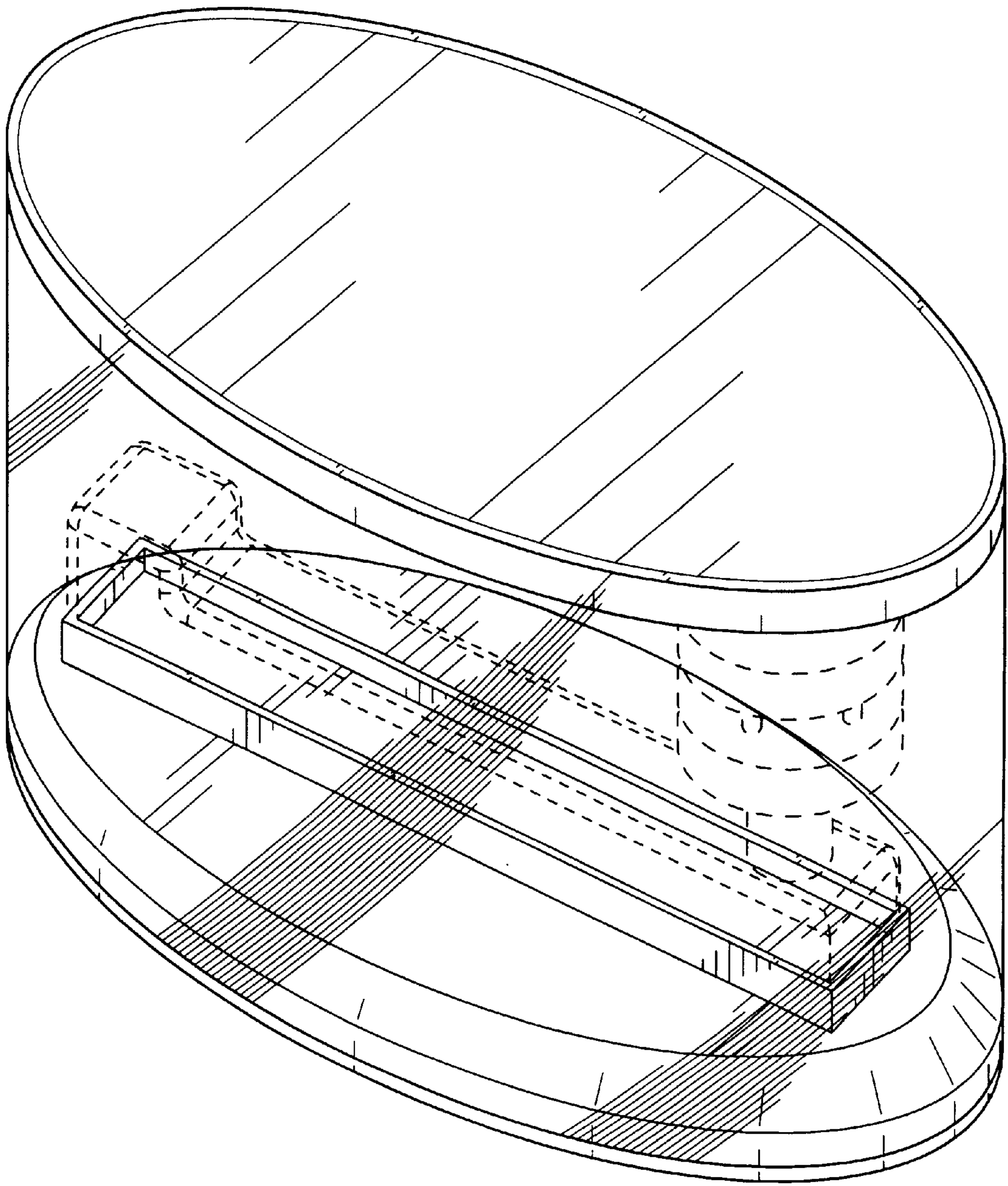
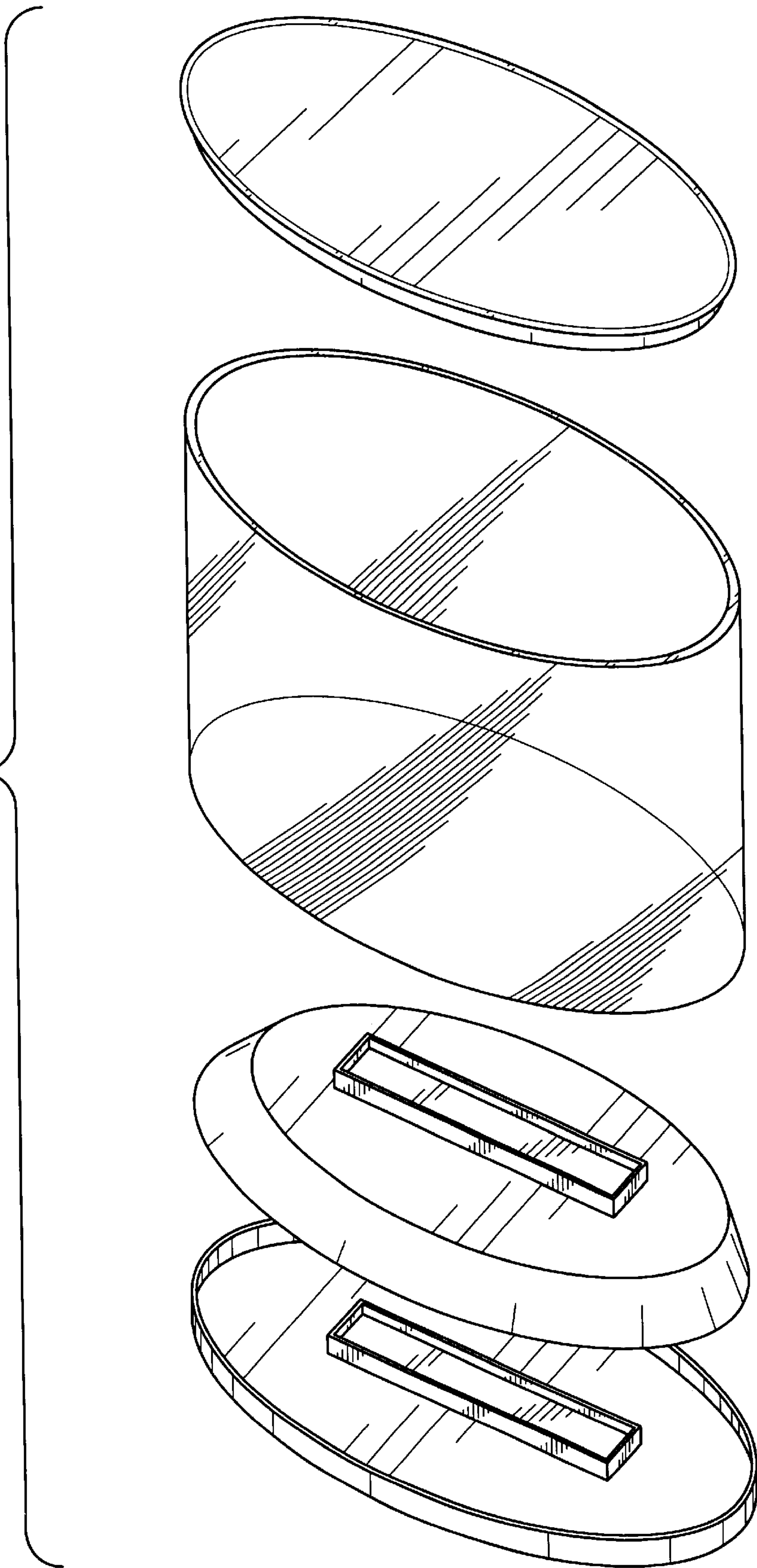


FIG. 1

FIG. 2



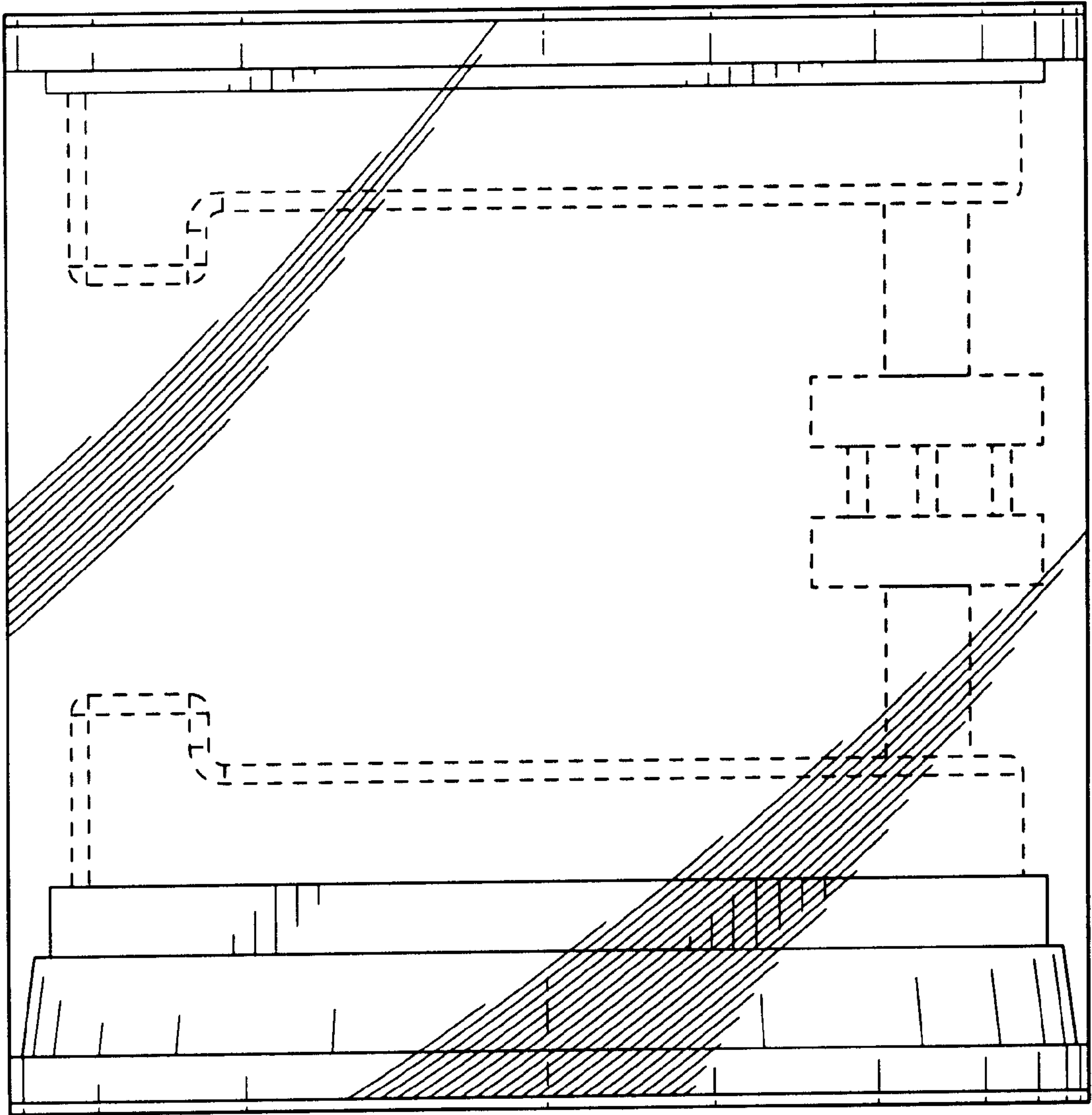


FIG. 3

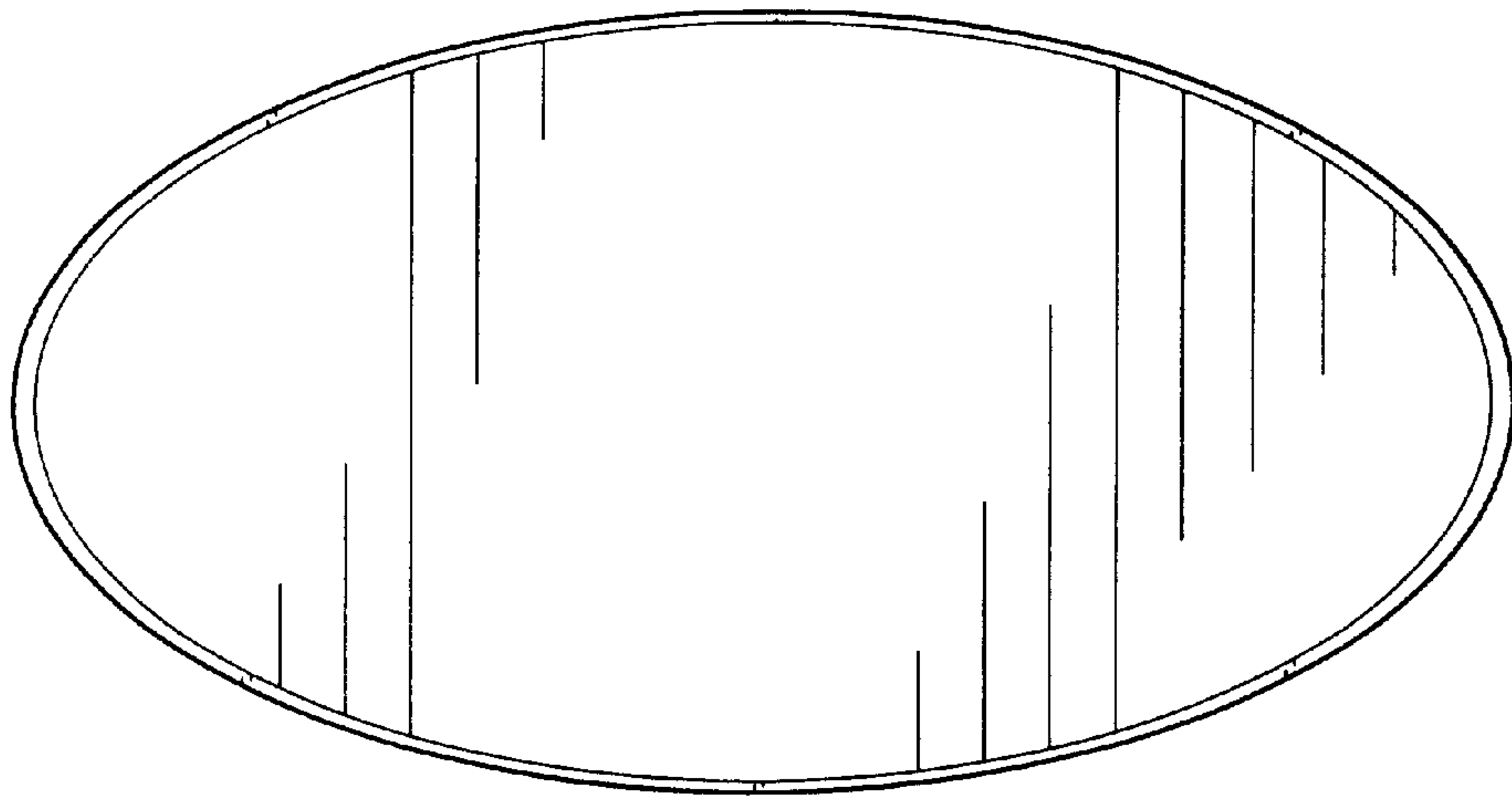


FIG. 4

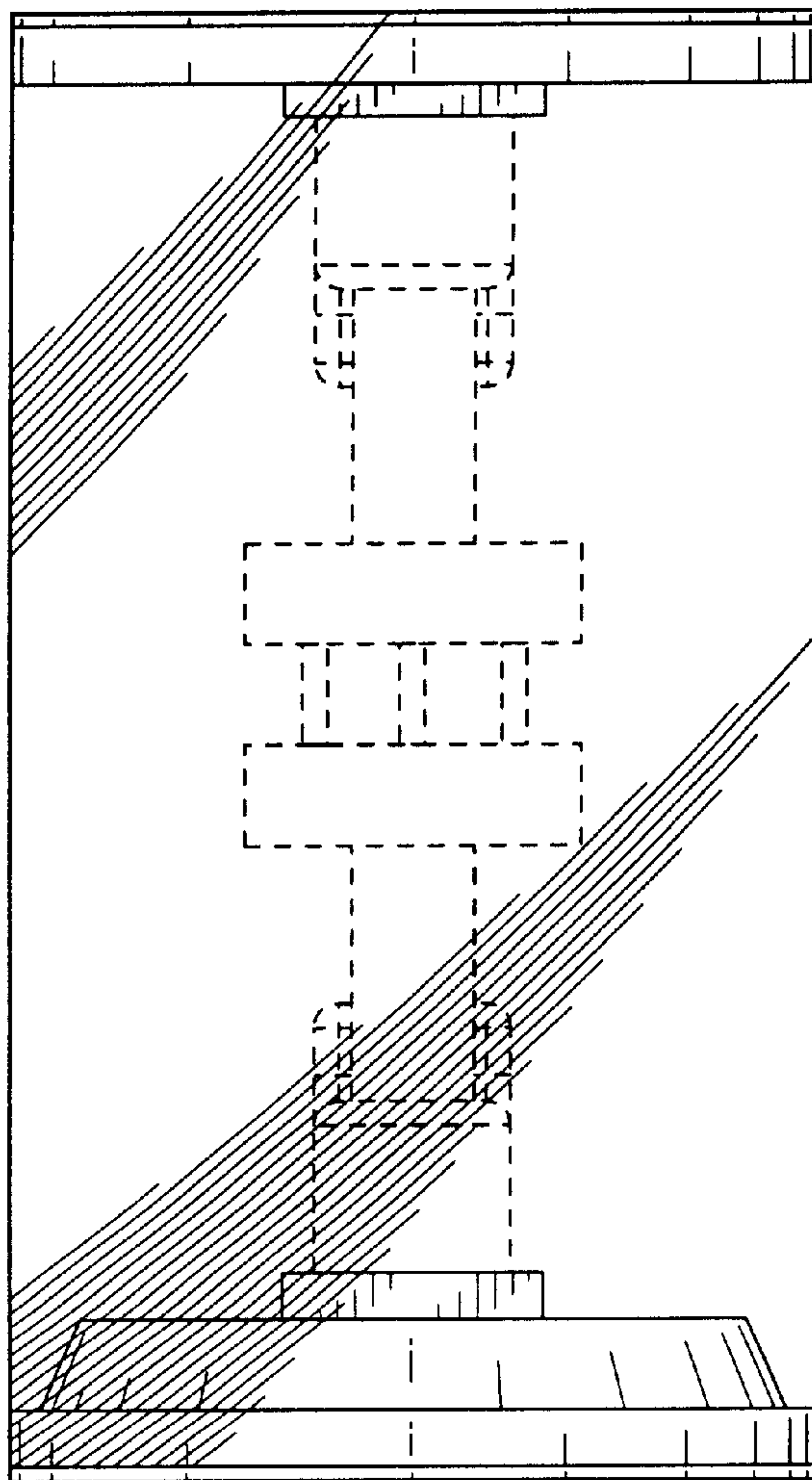


FIG. 5