



US00D464872S

(12) **United States Design Patent** (10) **Patent No.:** **US D464,872 S**
Schultz et al. (45) **Date of Patent:** **** Oct. 29, 2002**

(54) **CASTER SUPPORT**

D409,900 S * 5/1999 Simons et al. D8/375
D419,496 S * 1/2000 Garven et al. D8/375

(75) Inventors: **Craig H. Schultz**, Muscatine, IA (US);
Jason D. Erickson, Durant, IA (US)

* cited by examiner

(73) Assignee: **HON Technology Inc.**, Muscatine, IA (US)

Primary Examiner—Pamela Burgess

(74) *Attorney, Agent, or Firm*—Jones, Day, Reavis & Pogue

(**) Term: **14 Years**

(57) **CLAIM**

(21) Appl. No.: **29/142,850**

We claim the original design for a caster support, as shown and described.

(22) Filed: **Jun. 4, 2001**

DESCRIPTION

(51) **LOC (7) Cl.** **08-05**

(52) **U.S. Cl.** **D8/375**

(58) **Field of Search** D8/375; D12/133;
16/44-47, 21, 25, 26, 18 A, 18 R, 42 R;
301/5.23; 280/87.041, 87.051, 87.05; 244/109

FIG. 1 is a left side view of a caster support showing our new design;

FIG. 2 is a right side view thereof;

FIG. 3 is a rear view thereof;

FIG. 4 is a front view thereof;

FIG. 5 is a top view thereof; and,

FIG. 6 is a bottom view thereof.

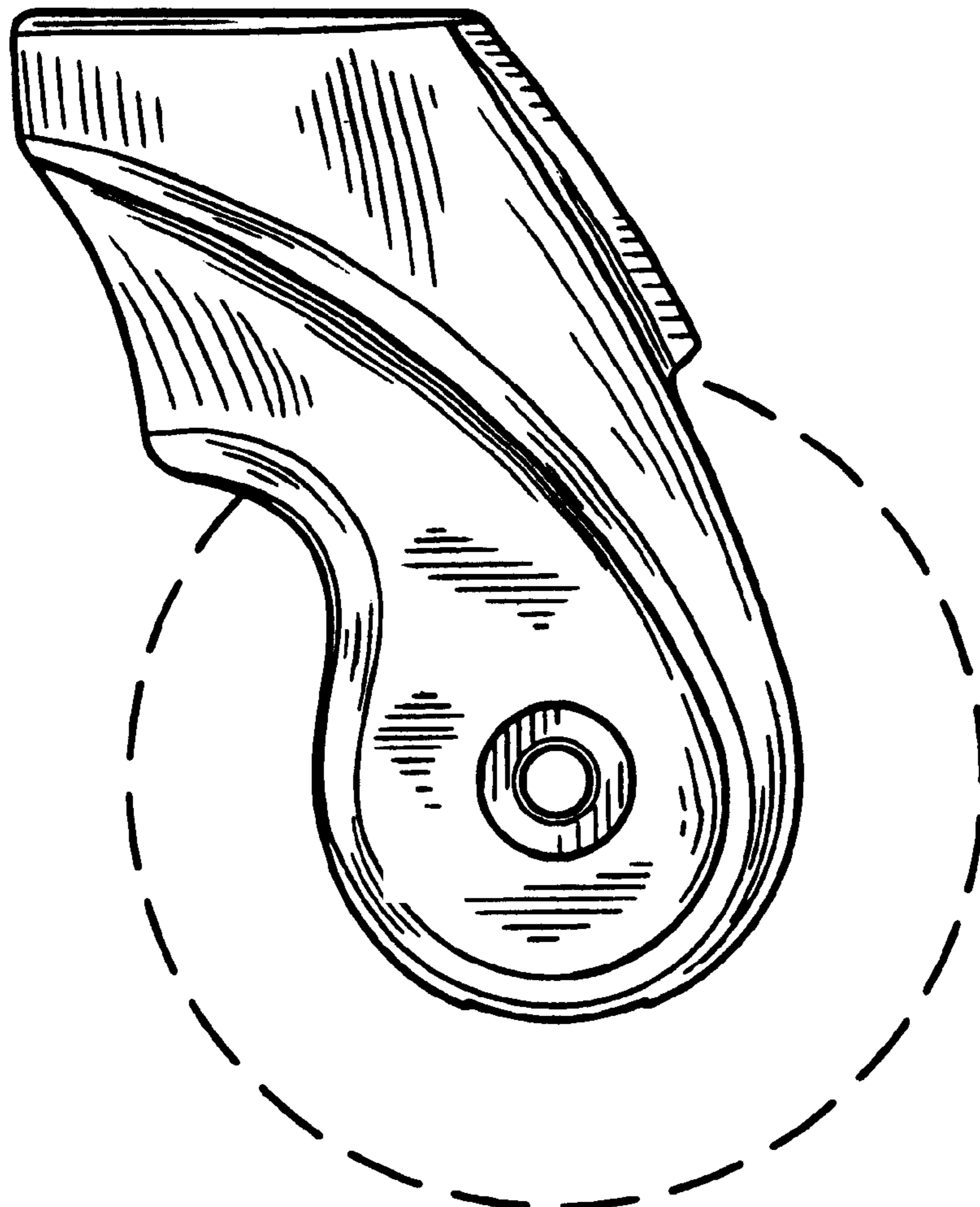
The broken line showing is for environmental purposes only and does not form a part of the design.

(56) **References Cited**

U.S. PATENT DOCUMENTS

4,346,498 A * 8/1982 Welsch et al. 16/44
5,305,496 A * 4/1994 Gagnon et al. 16/44
D382,465 S * 8/1997 Dhanapal et al. D8/375

1 Claim, 3 Drawing Sheets



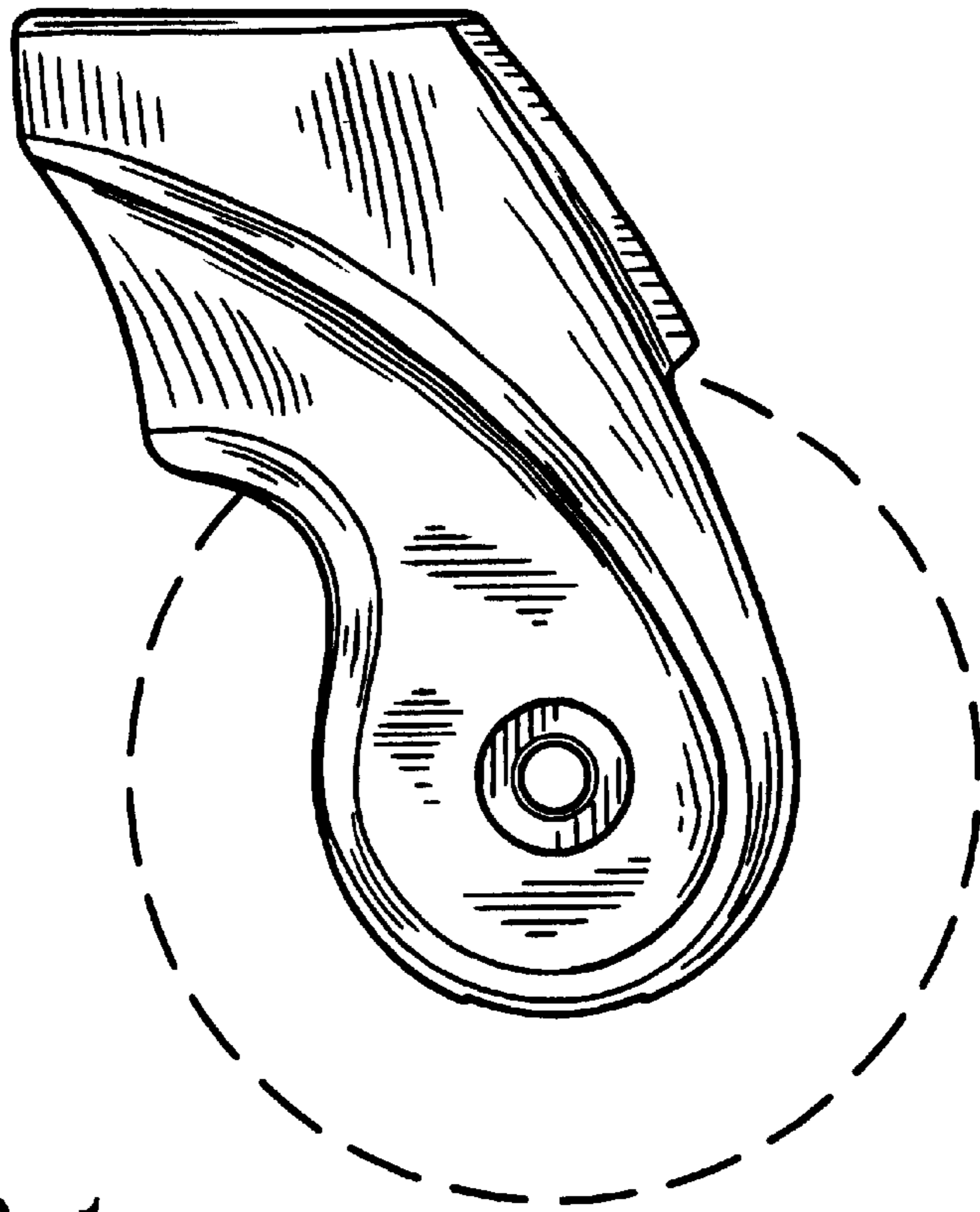


FIG. 1

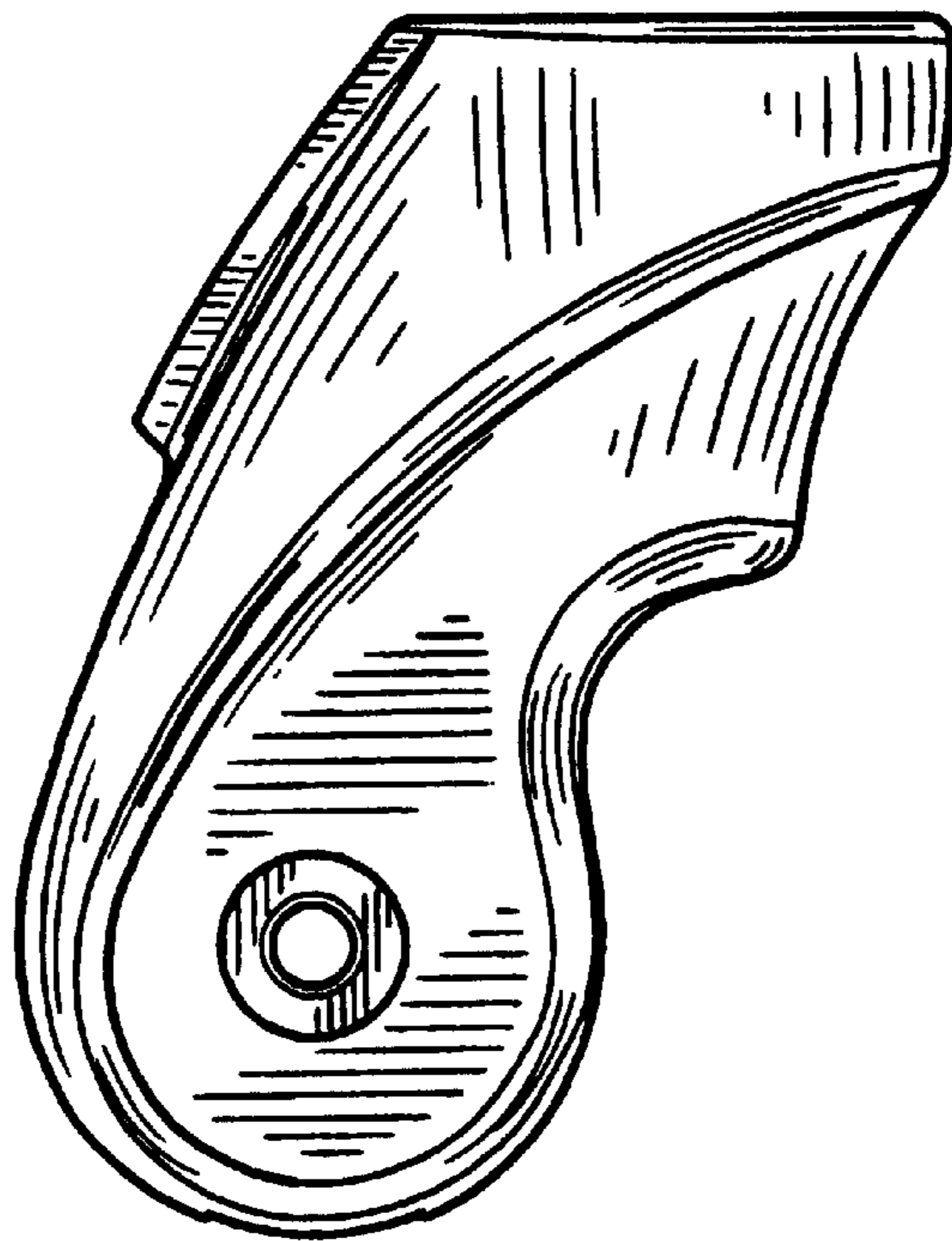


FIG. 2

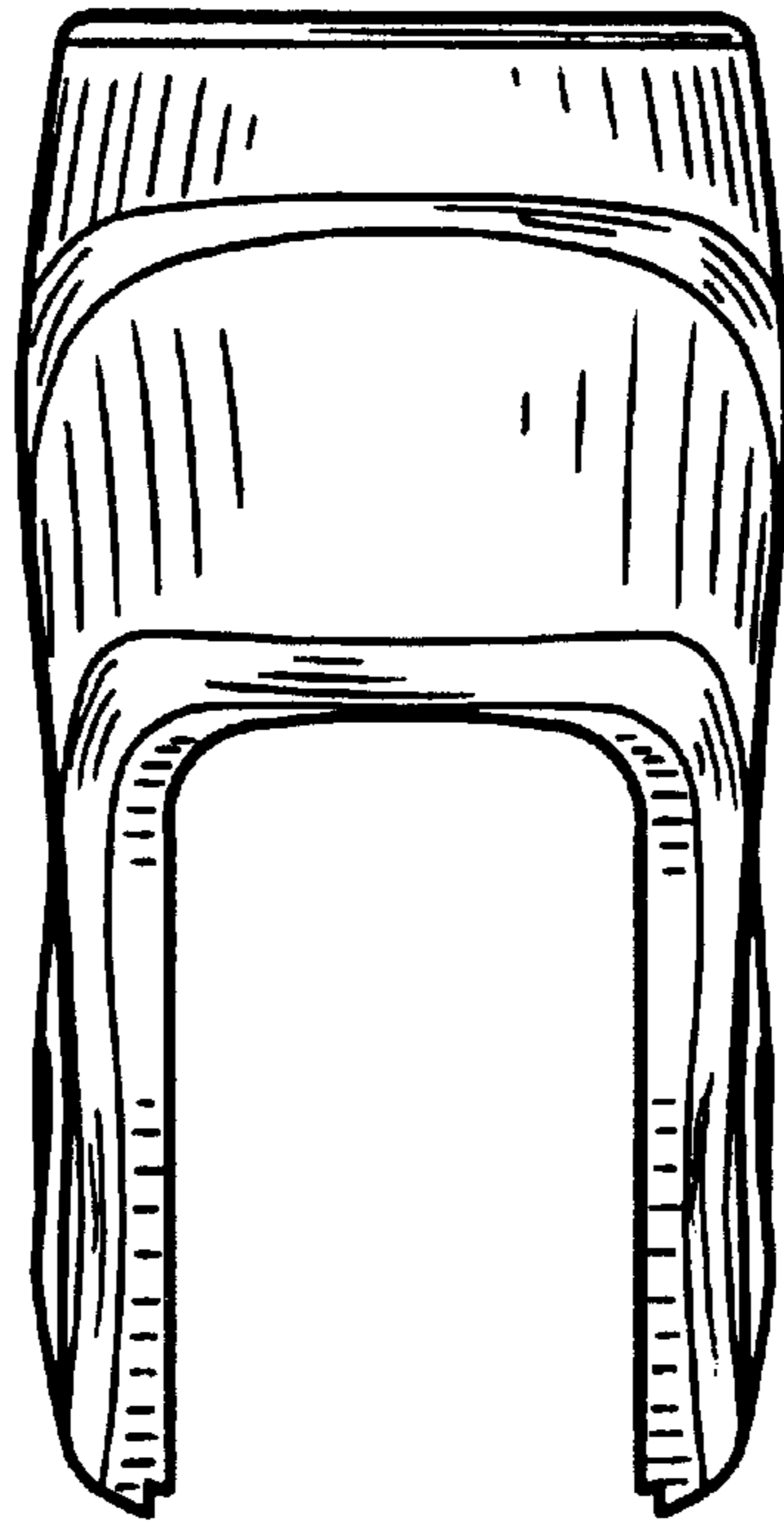


FIG. 3

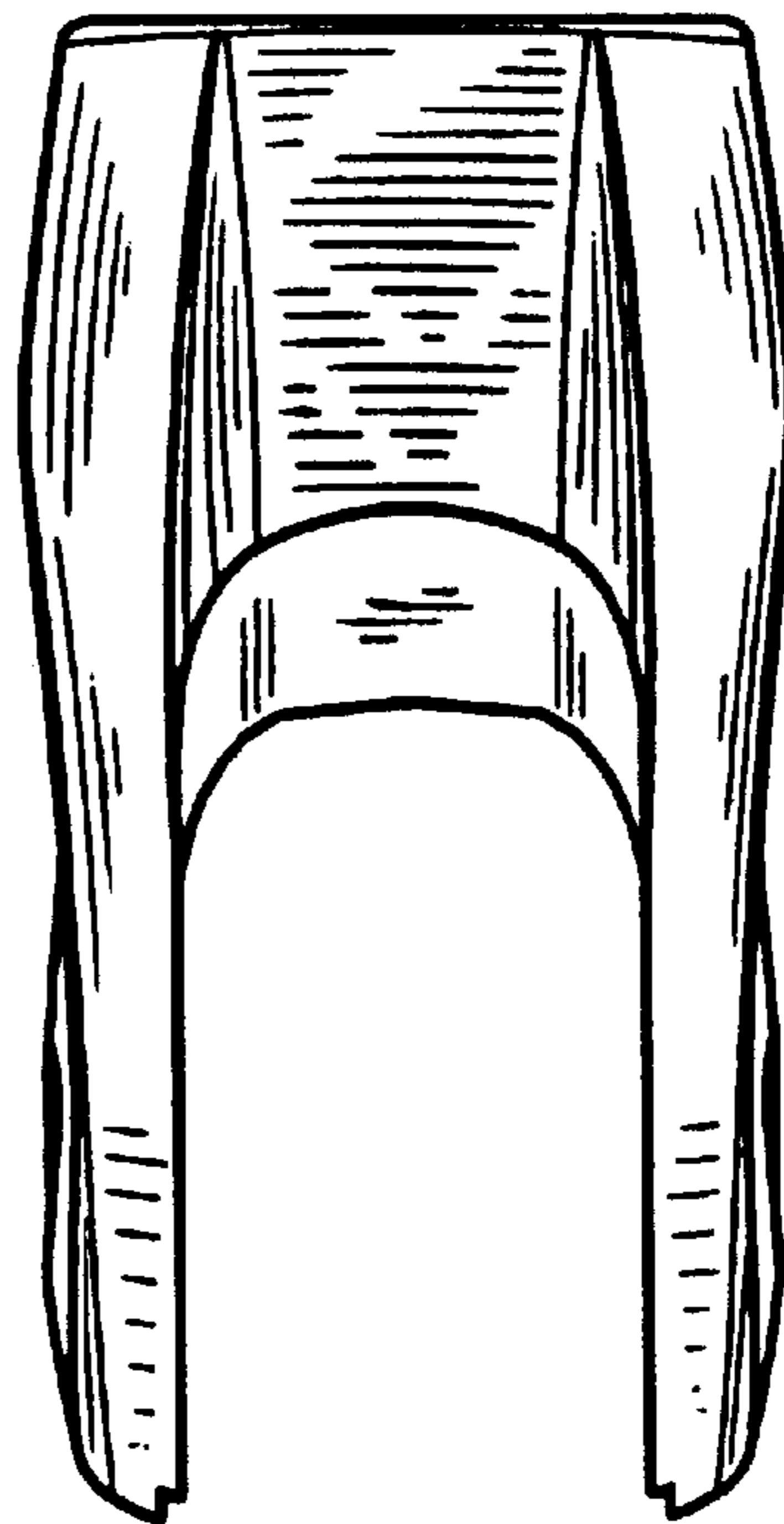


FIG. 4

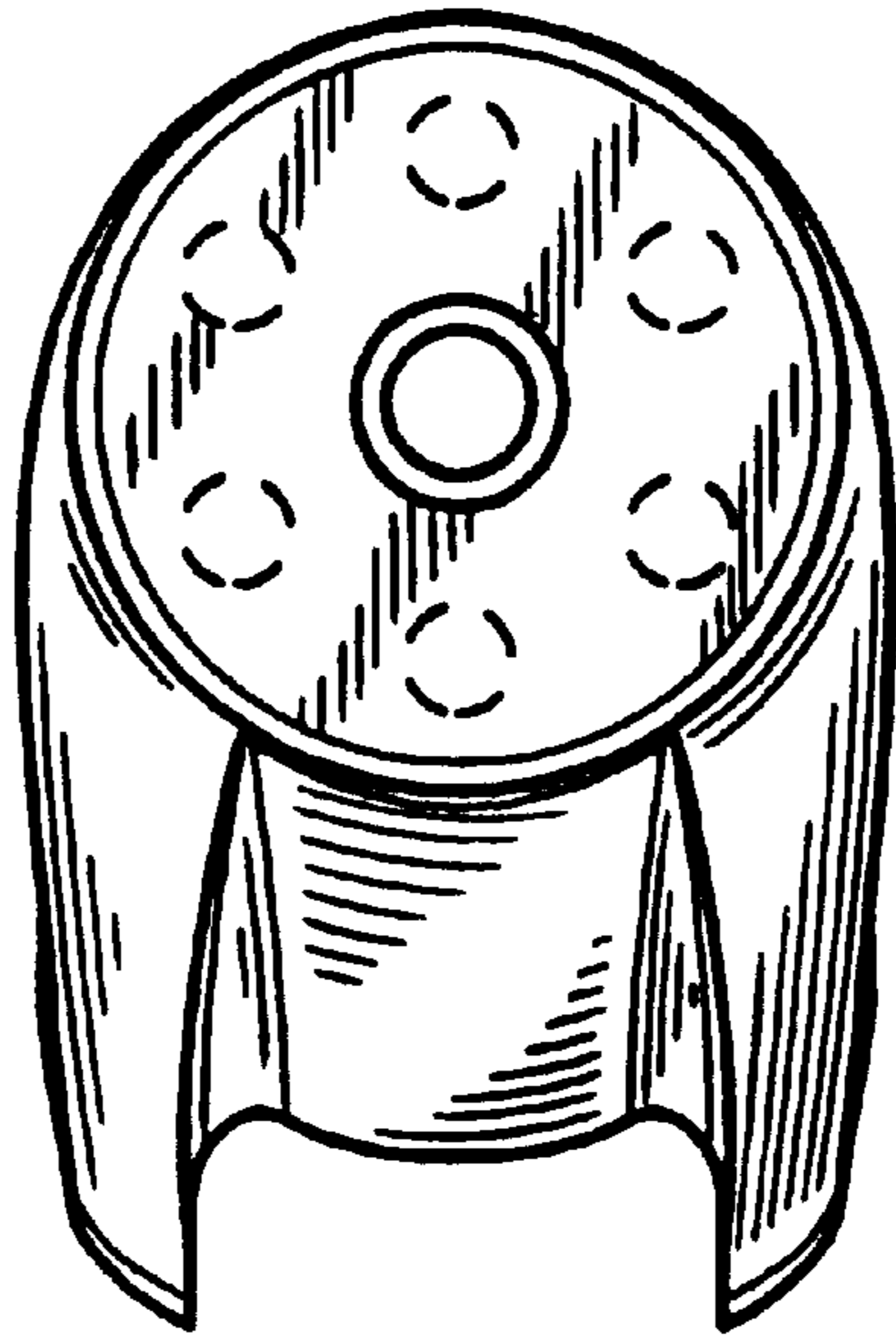


FIG. 5

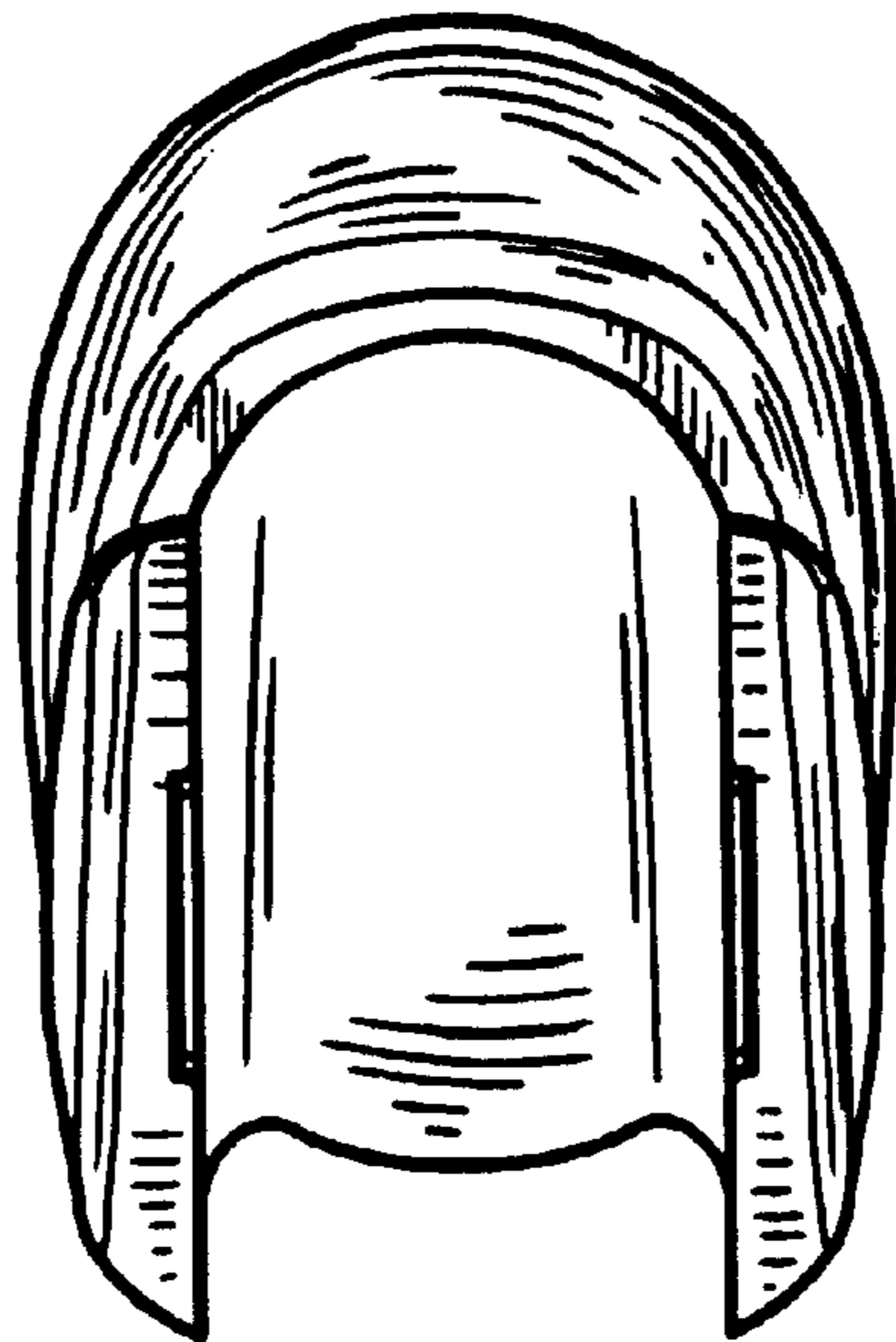


FIG. 6