



US00D464870S

(12) **United States Design Patent**
Fraser

(10) **Patent No.:** **US D464,870 S**

(45) **Date of Patent:** **** Oct. 29, 2002**

(54) **MOUNTING BRACKET FOR COVERINGS FOR ARCHITECTURAL OPENINGS**

4,878,528 A	11/1989	Kobayashi	
D326,027 S	* 5/1992	Estes D8/376
5,131,616 A	* 7/1992	Biba 160/902
5,529,273 A	6/1996	Benthin	

(75) Inventor: **Donald E. Fraser**, Owensboro, KY (US)

OTHER PUBLICATIONS

(73) Assignee: **Hunter Douglas Inc.**, Upper Saddle River, NJ (US)

Hunter Douglas Product Catalogue, numbered as pp. 1–11 undated.

(**) Term: **14 Years**

* cited by examiner

(21) Appl. No.: **29/139,211**

Primary Examiner—Pamela Burgess

(22) Filed: **Mar. 27, 2001**

(74) *Attorney, Agent, or Firm*—Dorsey & Whitney LLP

(51) **LOC (7) Cl.** **08-05**

(57) **CLAIM**

(52) **U.S. Cl.** **D8/373; D8/376**

The ornamental design for a mounting bracket for coverings for architectural openings, as shown and described.

(58) **Field of Search** D8/373, 376, 377; 160/900, 902, 181, 368.1, 178.1 V; 248/265, 544, 251, 262, 254, 227, 256, 258, 316.4, 232

DESCRIPTION

(56) **References Cited**

FIG. 1 is a top perspective view of a mounting bracket for coverings for architectural openings showing my new design;

U.S. PATENT DOCUMENTS

FIG. 2 is a top plan view thereof;

3,030,060 A	*	4/1962	Breuer	248/265
4,254,813 A		3/1981	Vecchiarelli		
D283,394 S	*	4/1986	Evenson	D8/363
4,601,319 A	*	7/1986	Georgopolous	160/902
4,607,818 A		8/1986	Georgopoulos		
4,802,644 A		2/1989	Oskam		

FIG. 3 is a front elevational view thereof;

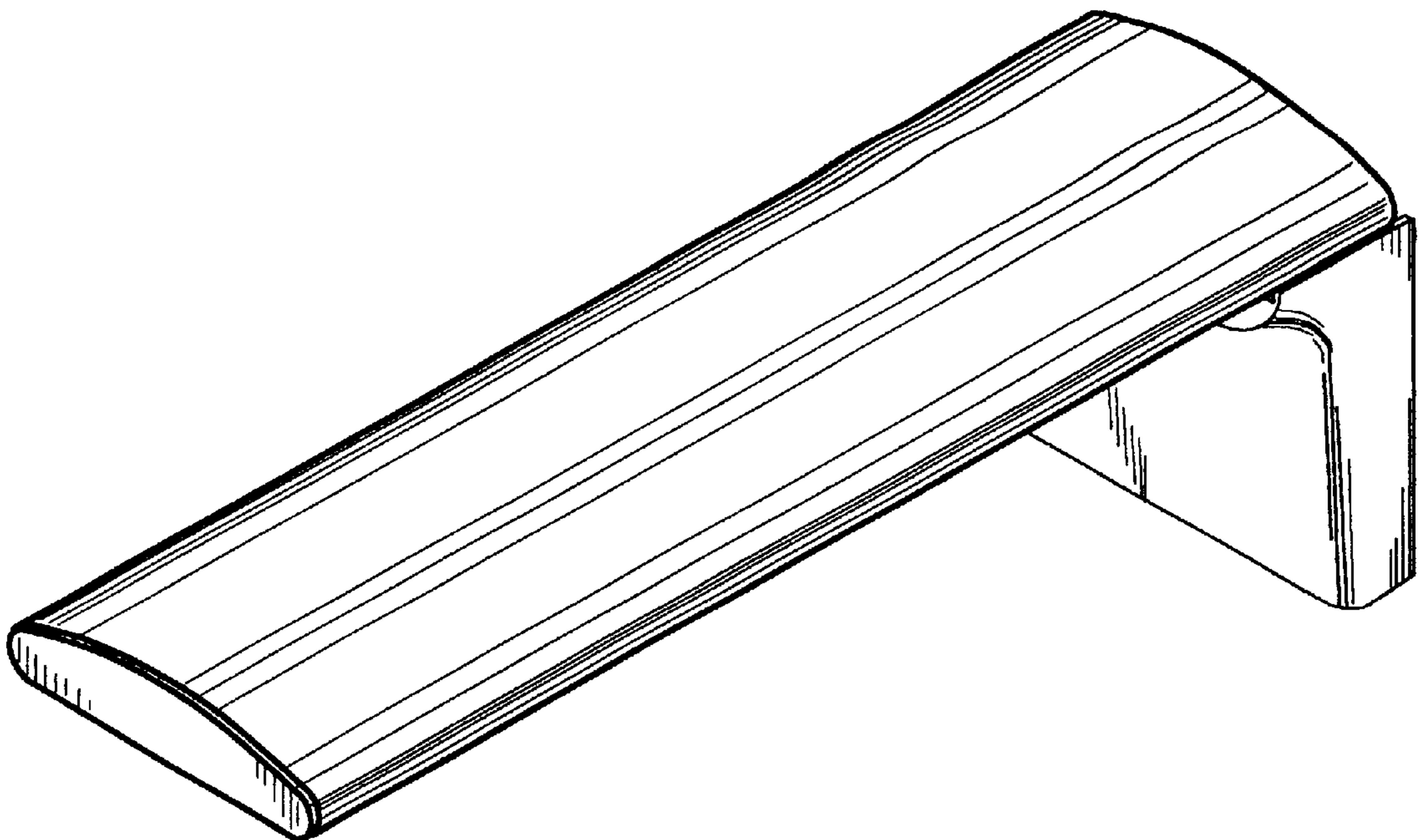
FIG. 4 is a left end elevational view thereof;

FIG. 5 is a right end elevational view thereof;

FIG. 6 is a bottom plan view thereof; and,

FIG. 7 is an exploded top perspective view thereof.

1 Claim, 3 Drawing Sheets



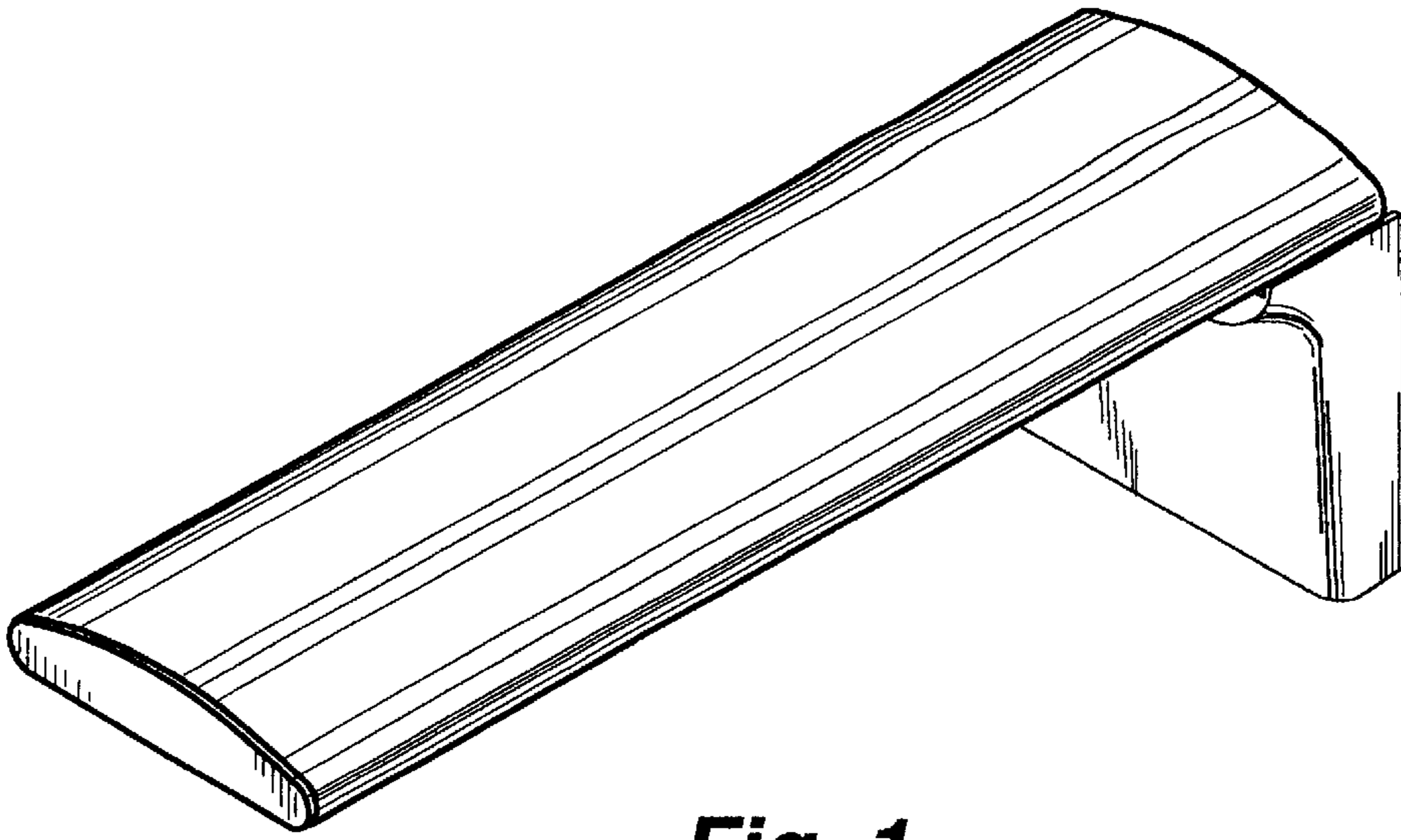


Fig. 1

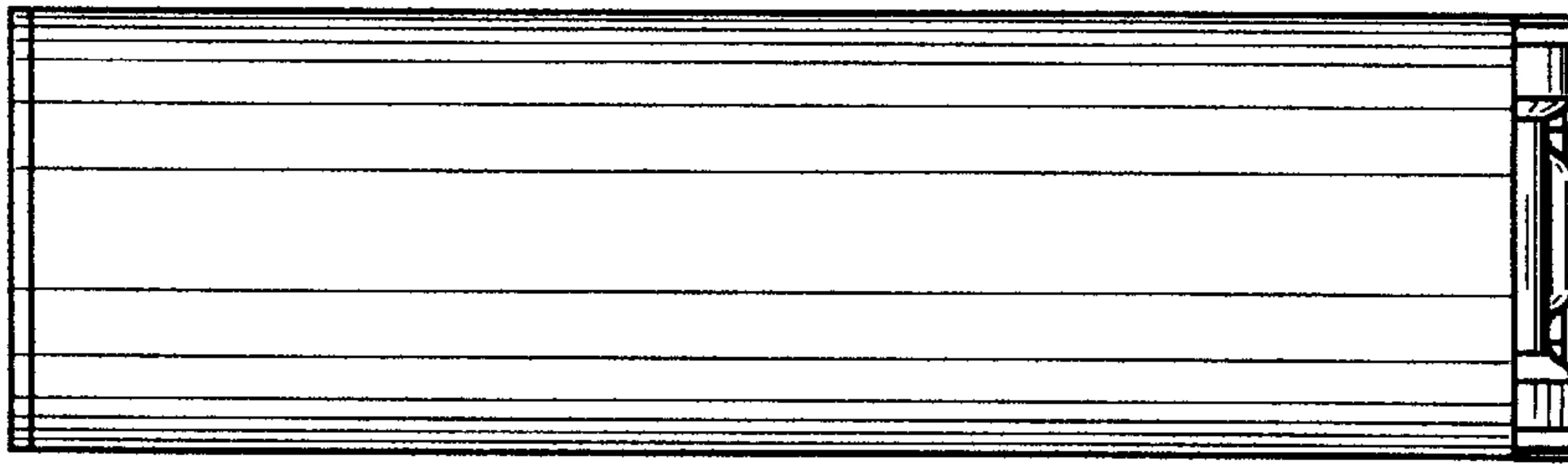


Fig. 2

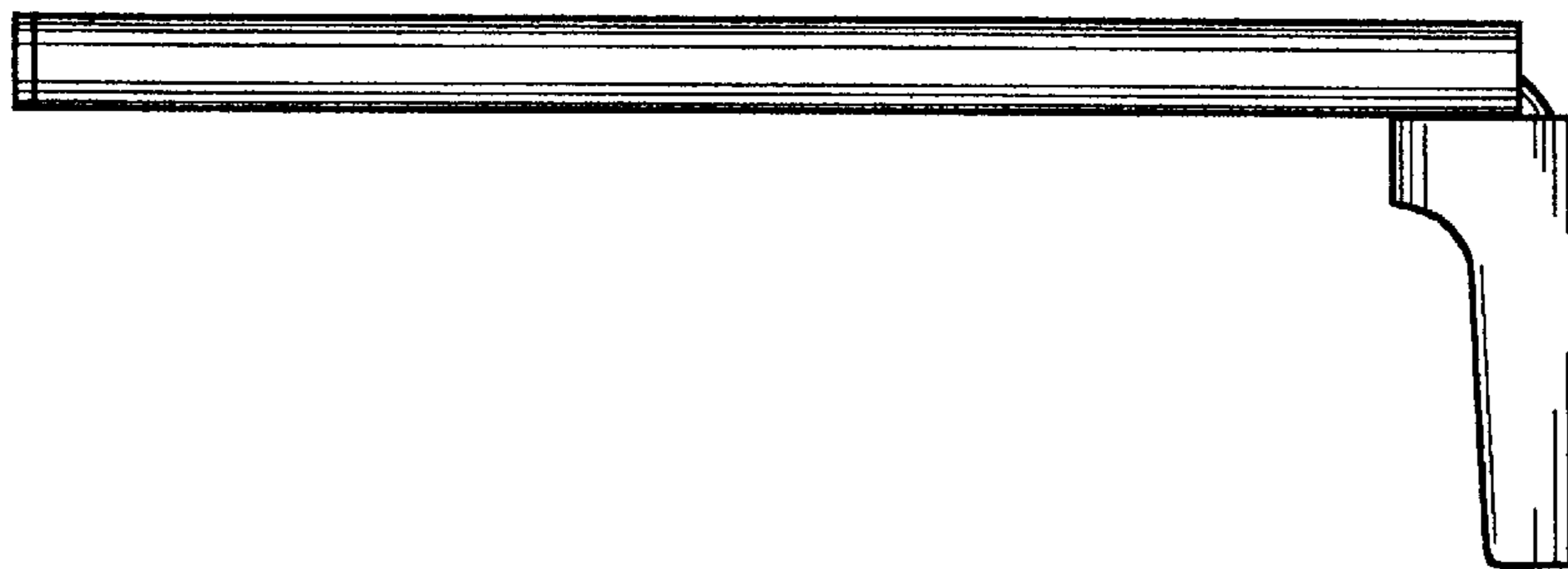


Fig. 3

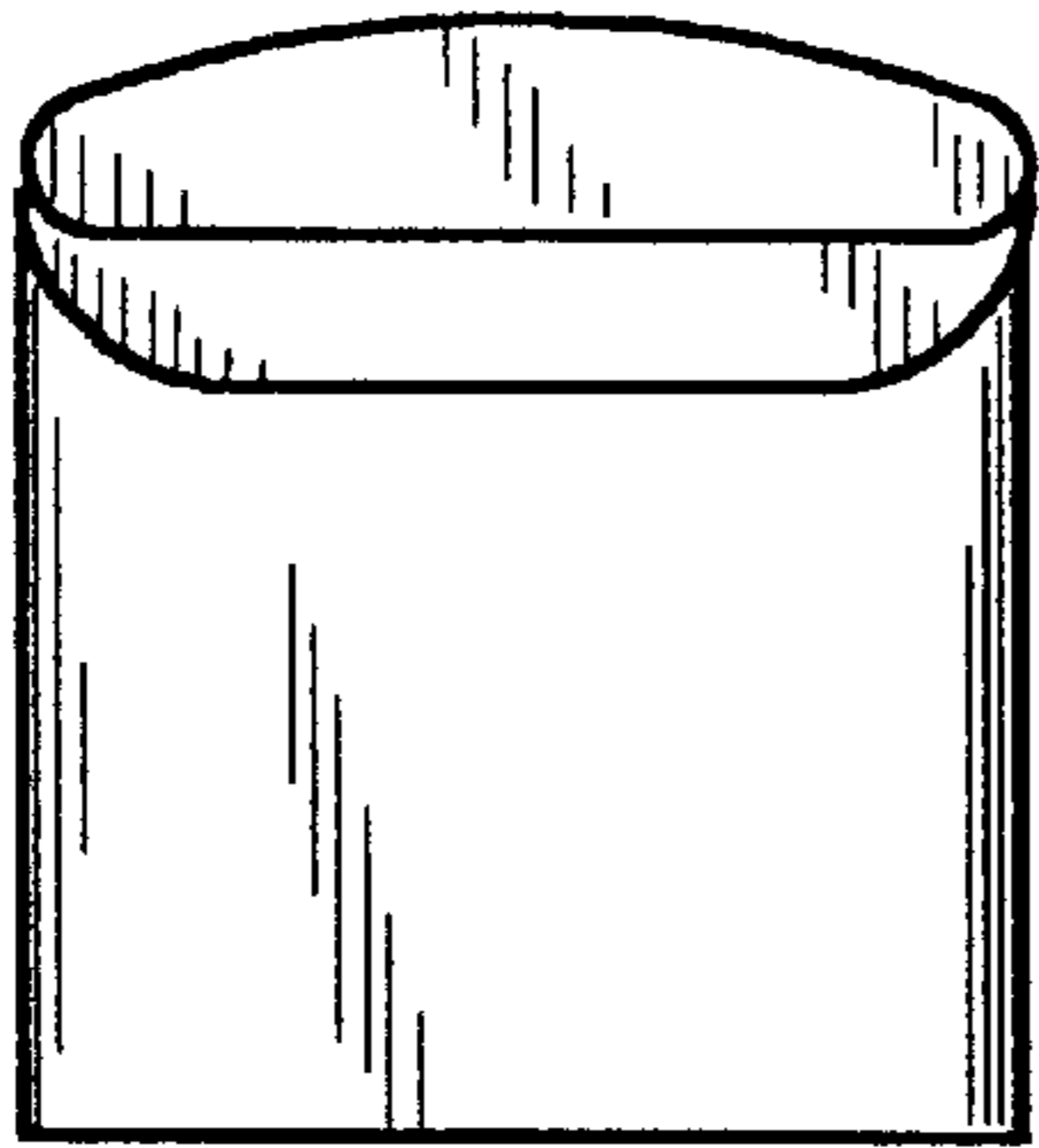


Fig. 4

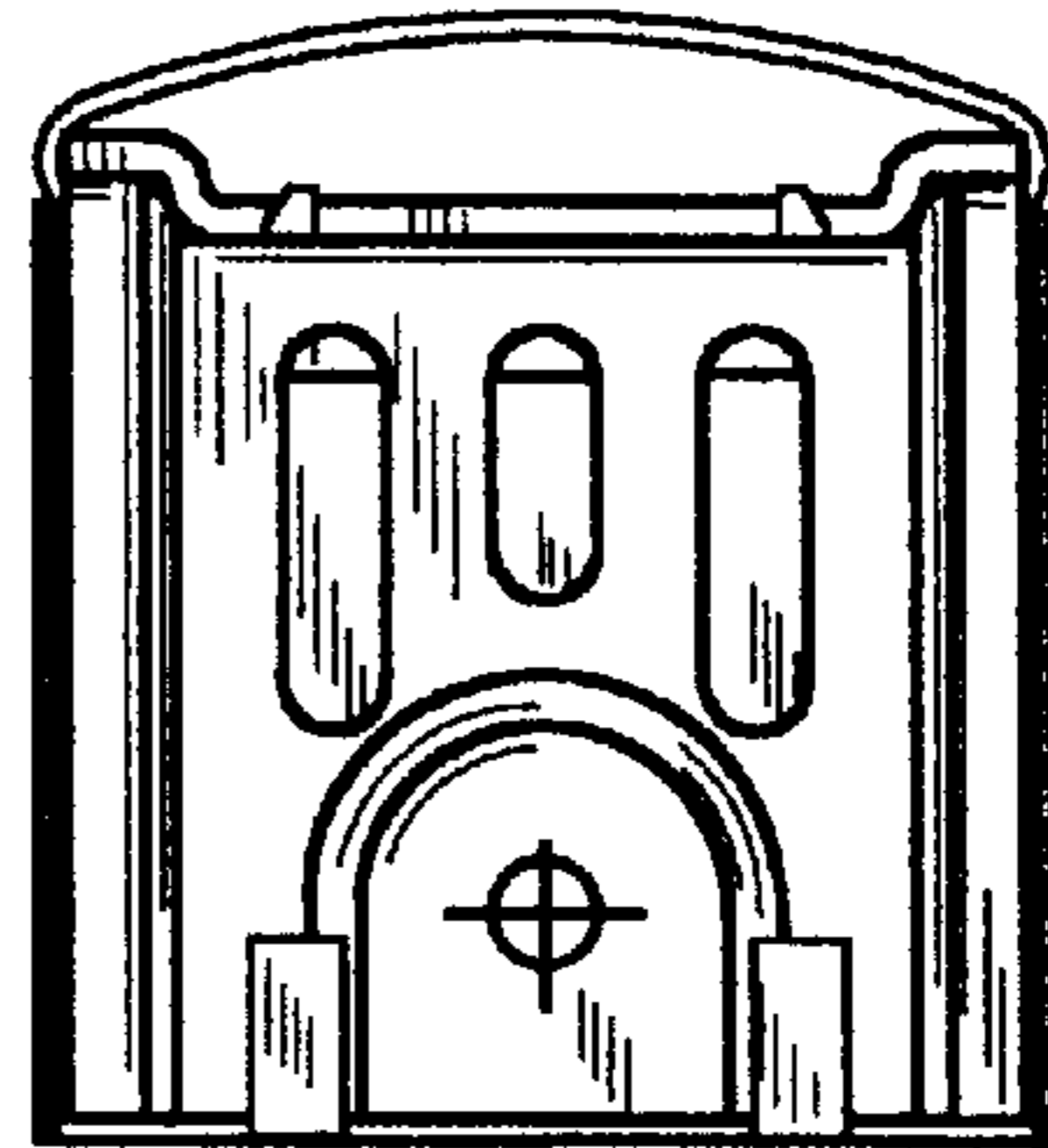


Fig. 5

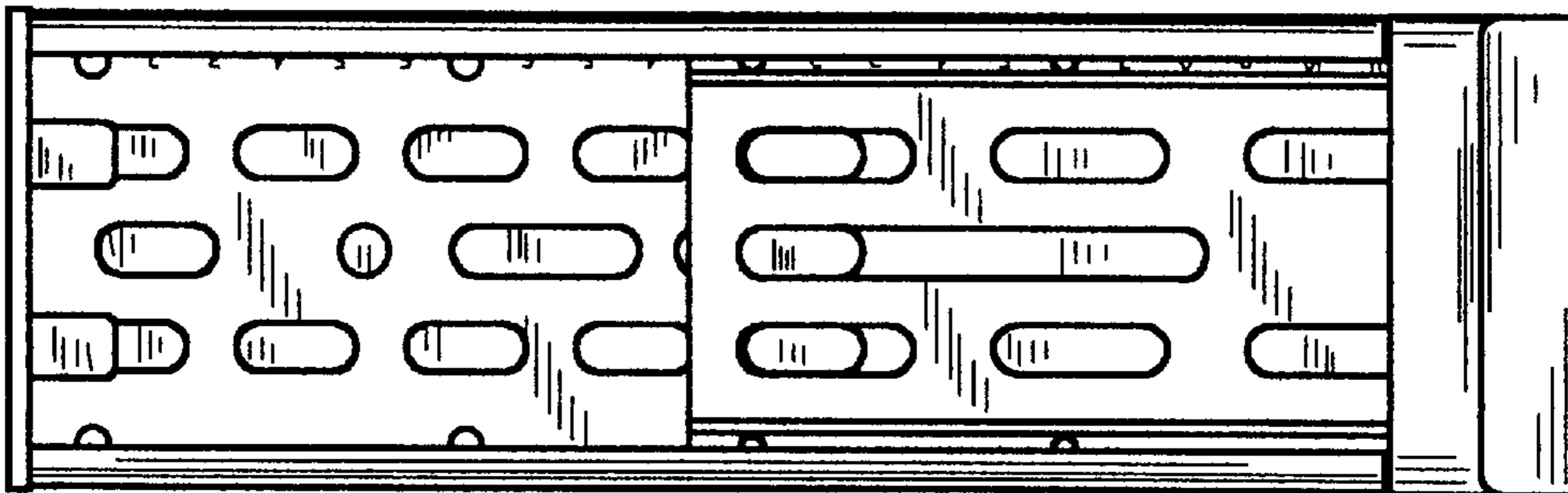


Fig. 6

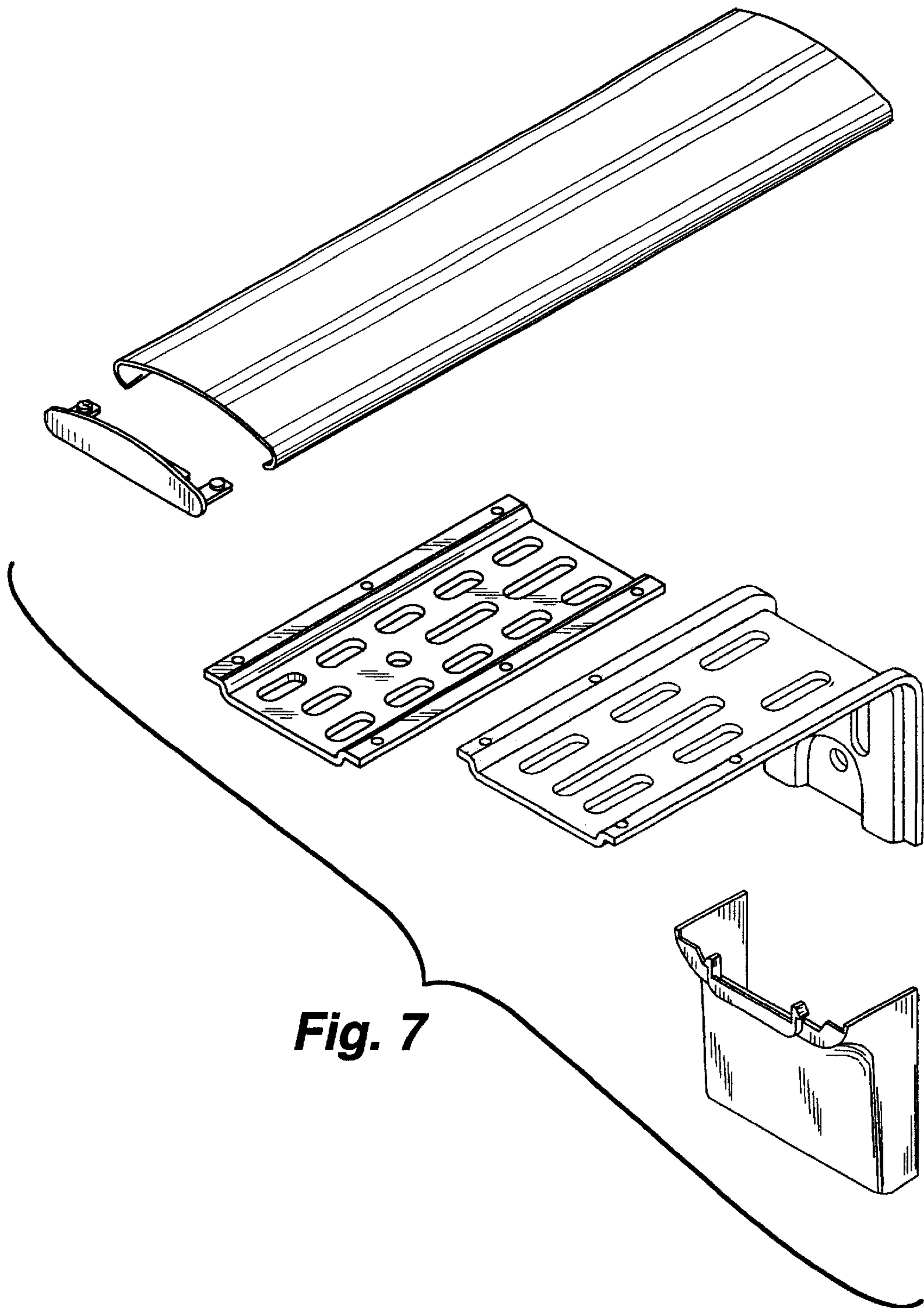


Fig. 7