



US00D464868S

(12) **United States Design Patent**
Yip

(10) **Patent No.:** **US D464,868 S**

(45) **Date of Patent:** **** Oct. 29, 2002**

(54) **HOOK**

(76) Inventor: **Chung Lun Yip**, 3rd Floor, Blocks A & C, King Yip Factory Building, No. 59 King Yip Street, Kwun Tong, Kowloon (HK)

(**) Term: **14 Years**

(21) Appl. No.: **29/149,204**

(22) Filed: **Oct. 4, 2001**

(30) **Foreign Application Priority Data**

Apr. 23, 2001 (CN) 01 3 24439

(51) **LOC (7) Cl.** **08-05**

(52) **U.S. Cl.** **D8/367**

(58) **Field of Search** D8/367, 368, 373, D8/301, 310; D6/547, 550, 524, 323, 327; 24/552, 369, 305, 599.1, 455, 716, 457; 248/301-304, 216.1, 339, 251, 467, 231.91, 489, 309.1; 211/31, 32, 85.3

(56) **References Cited**

U.S. PATENT DOCUMENTS

4,944,480 A * 7/1990 Jarrett 248/309.1

D357,576 S * 4/1995 Steinweis D8/367
D431,451 S * 10/2000 Kuo D8/373
6,178,844 B1 * 1/2001 Burger 24/552

* cited by examiner

Primary Examiner—Pamela Burgess
(74) *Attorney, Agent, or Firm*—Ladas & Parry

(57) **CLAIM**

I claim the ornamental design for hook, as shown and described.

DESCRIPTION

FIG. 1 is a top/front/right-side perspective view of a hook showing my new design;

FIG. 2 is a top plan view thereof;

FIG. 3 is a left-side elevational view thereof;

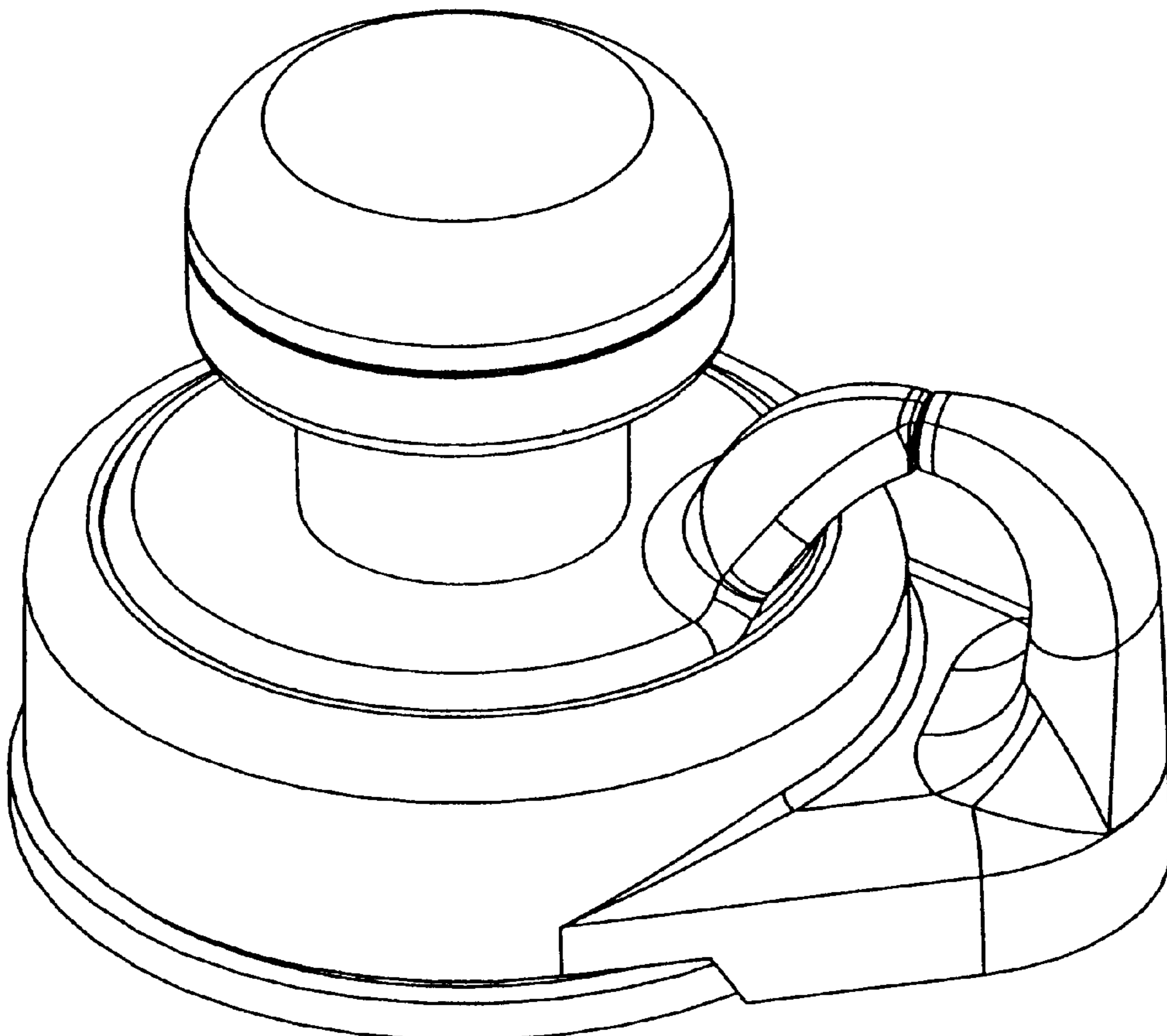
FIG. 4 is a front elevational view thereof;

FIG. 5 is a right-side elevational view thereof;

FIG. 6 is a rear elevational view thereof; and,

FIG. 7 is a bottom plan view thereof.

1 Claim, 7 Drawing Sheets



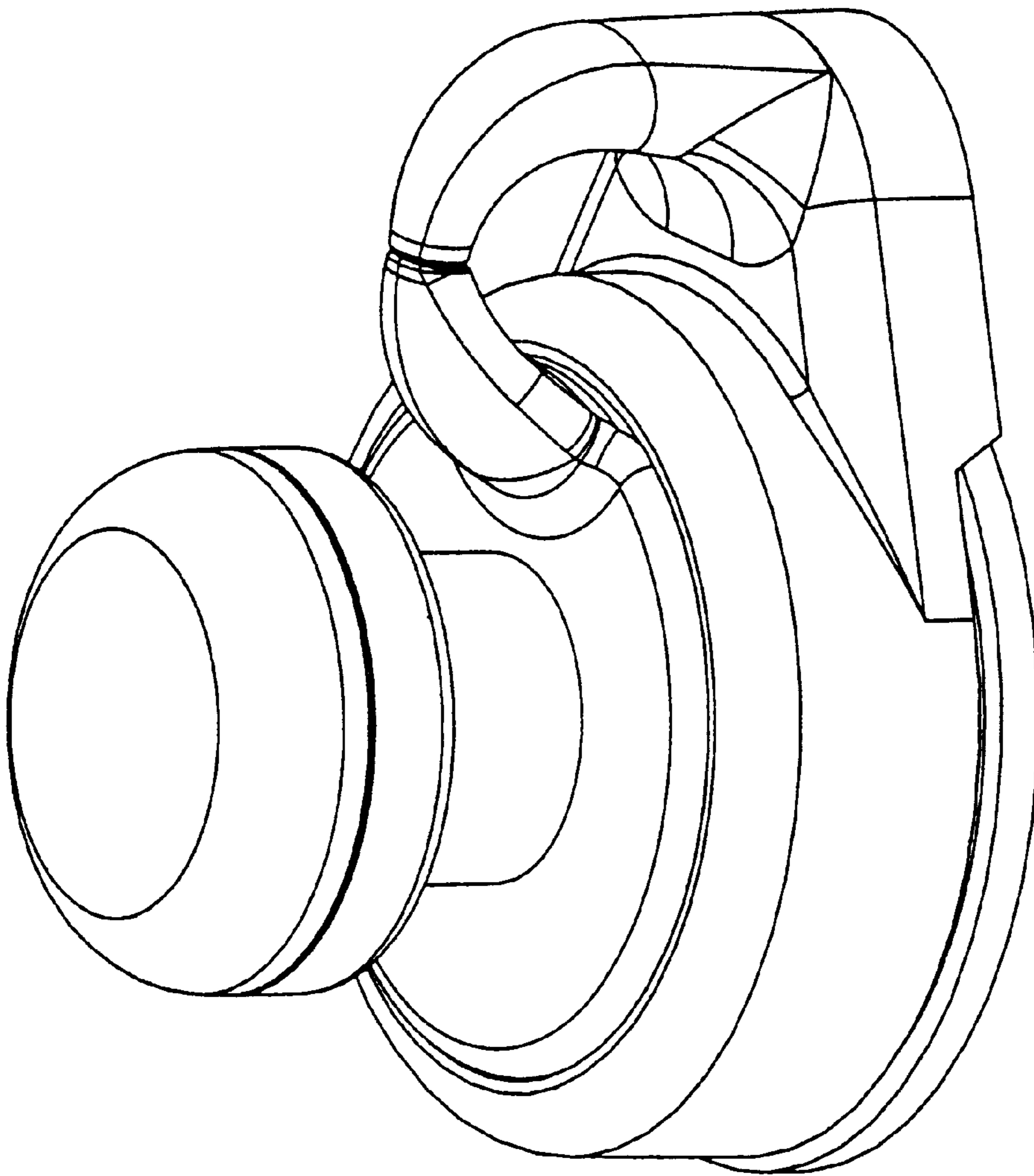


Fig. 1

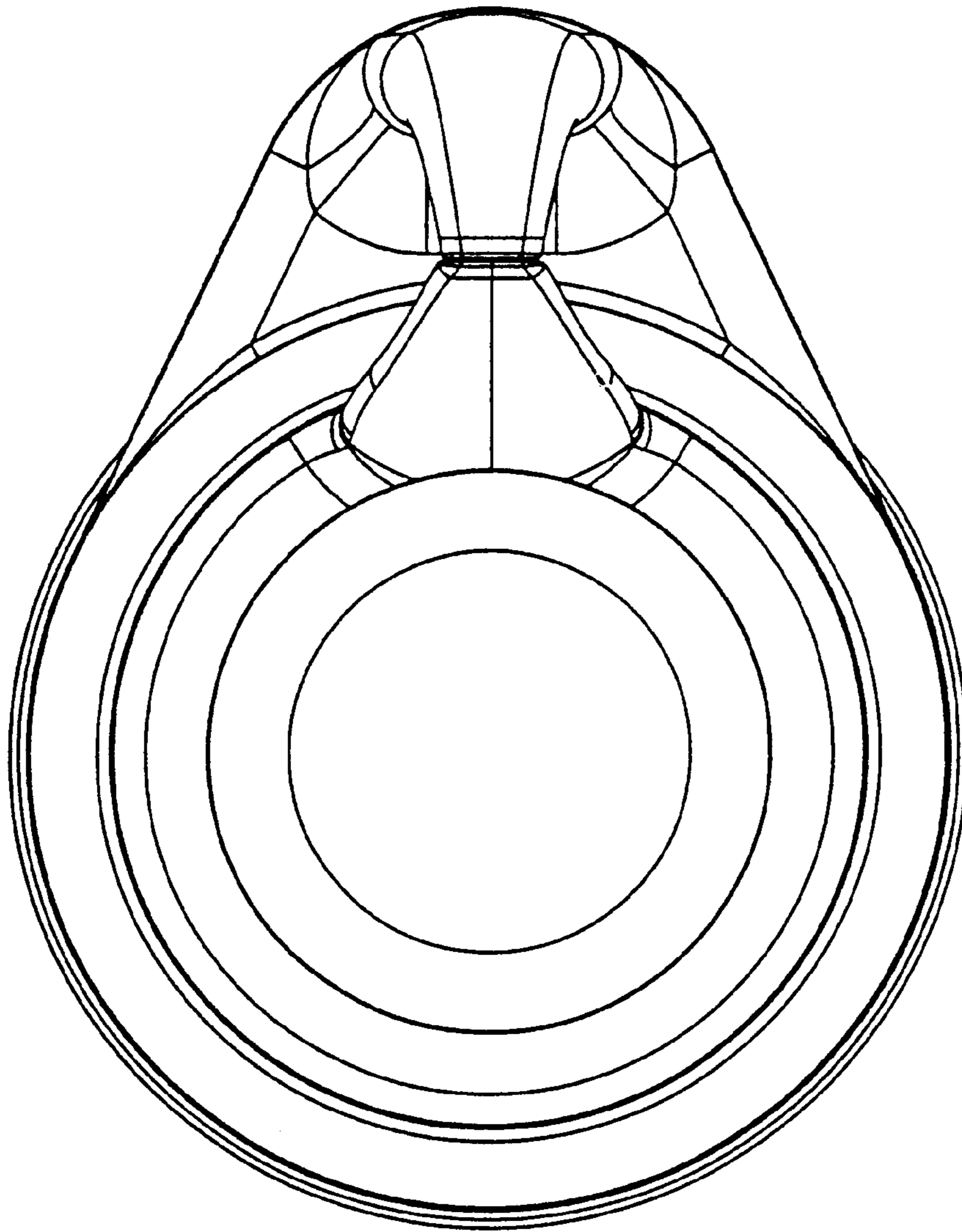


Fig. 2

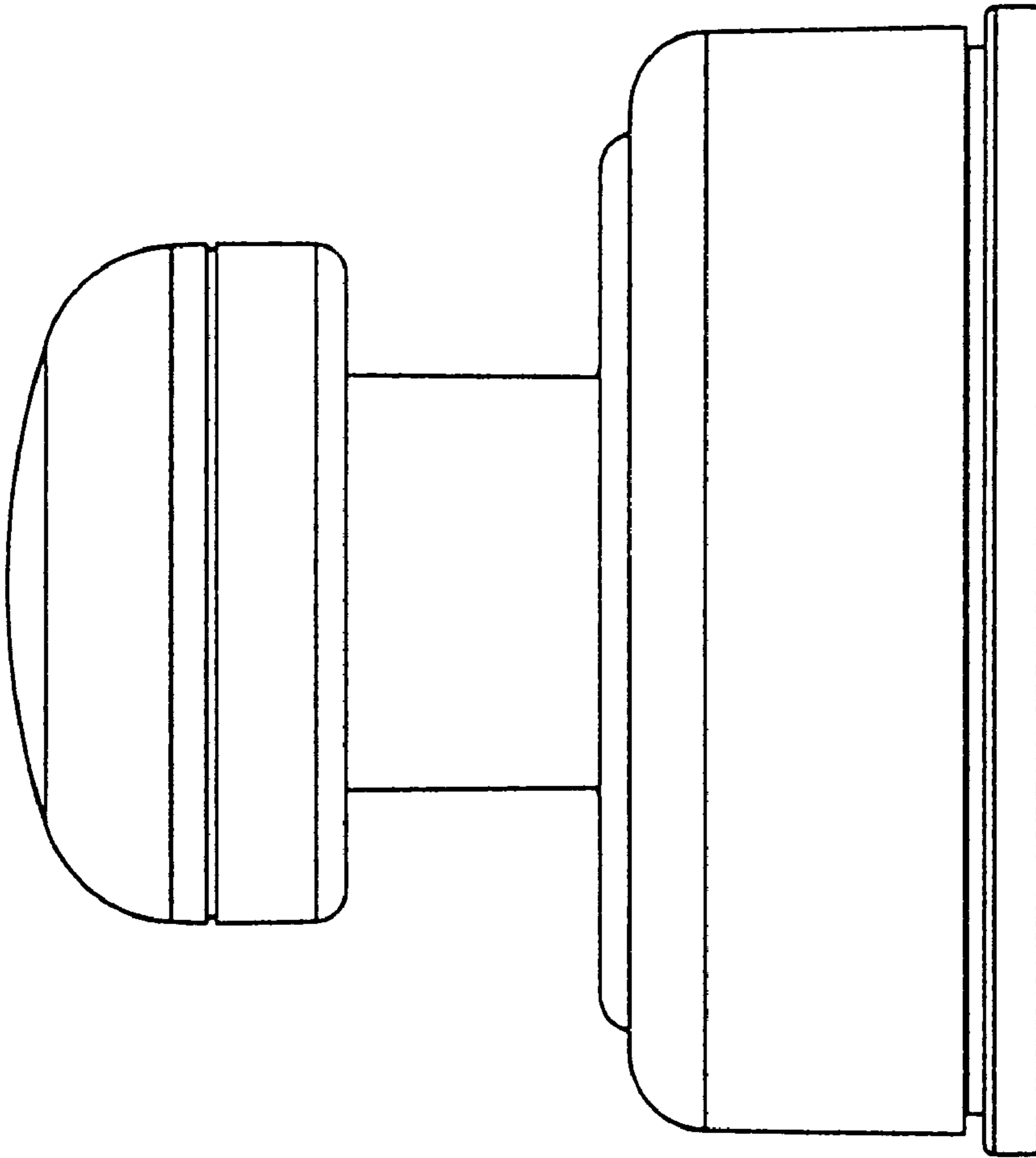


Fig. 3

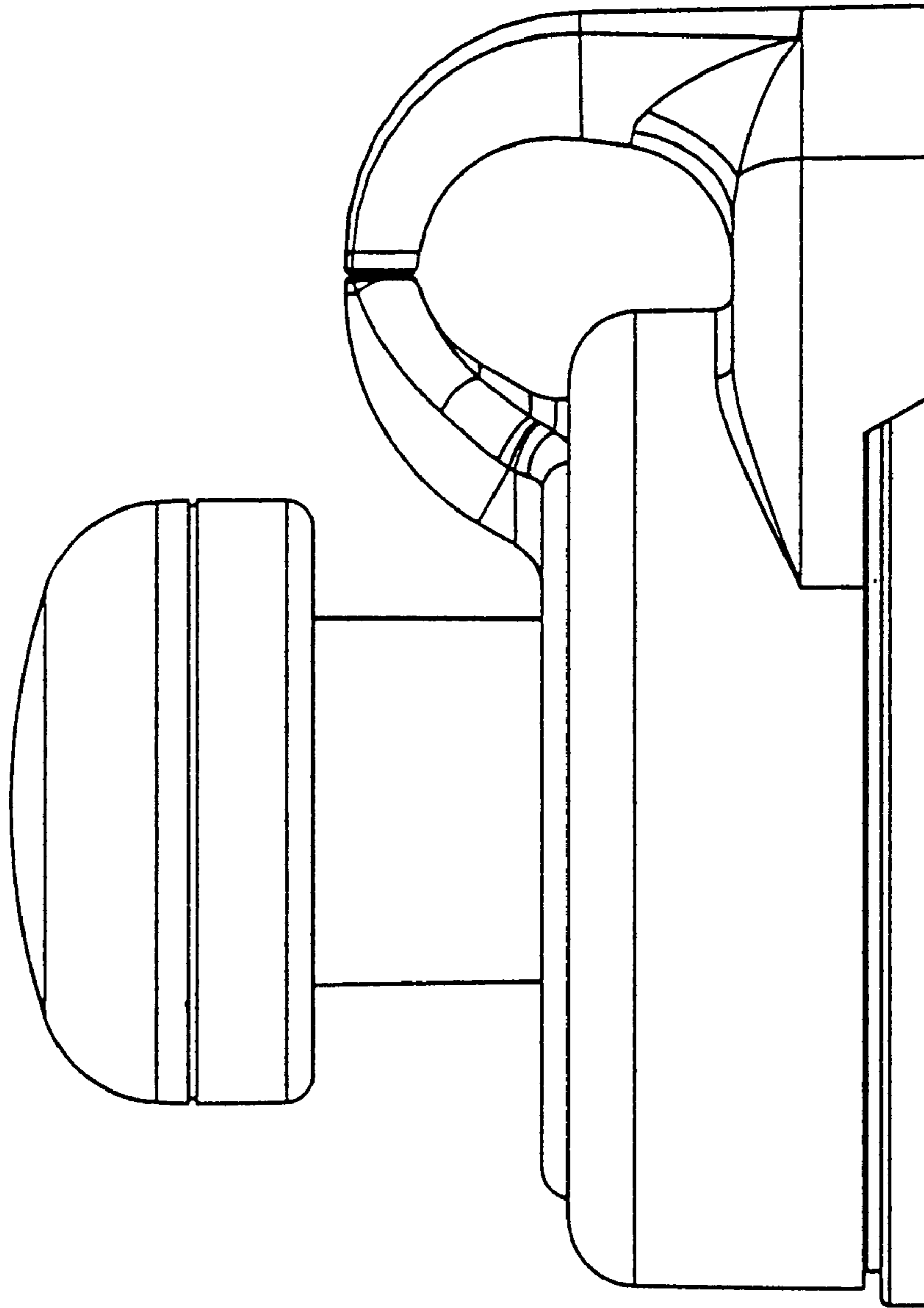


Fig. 4

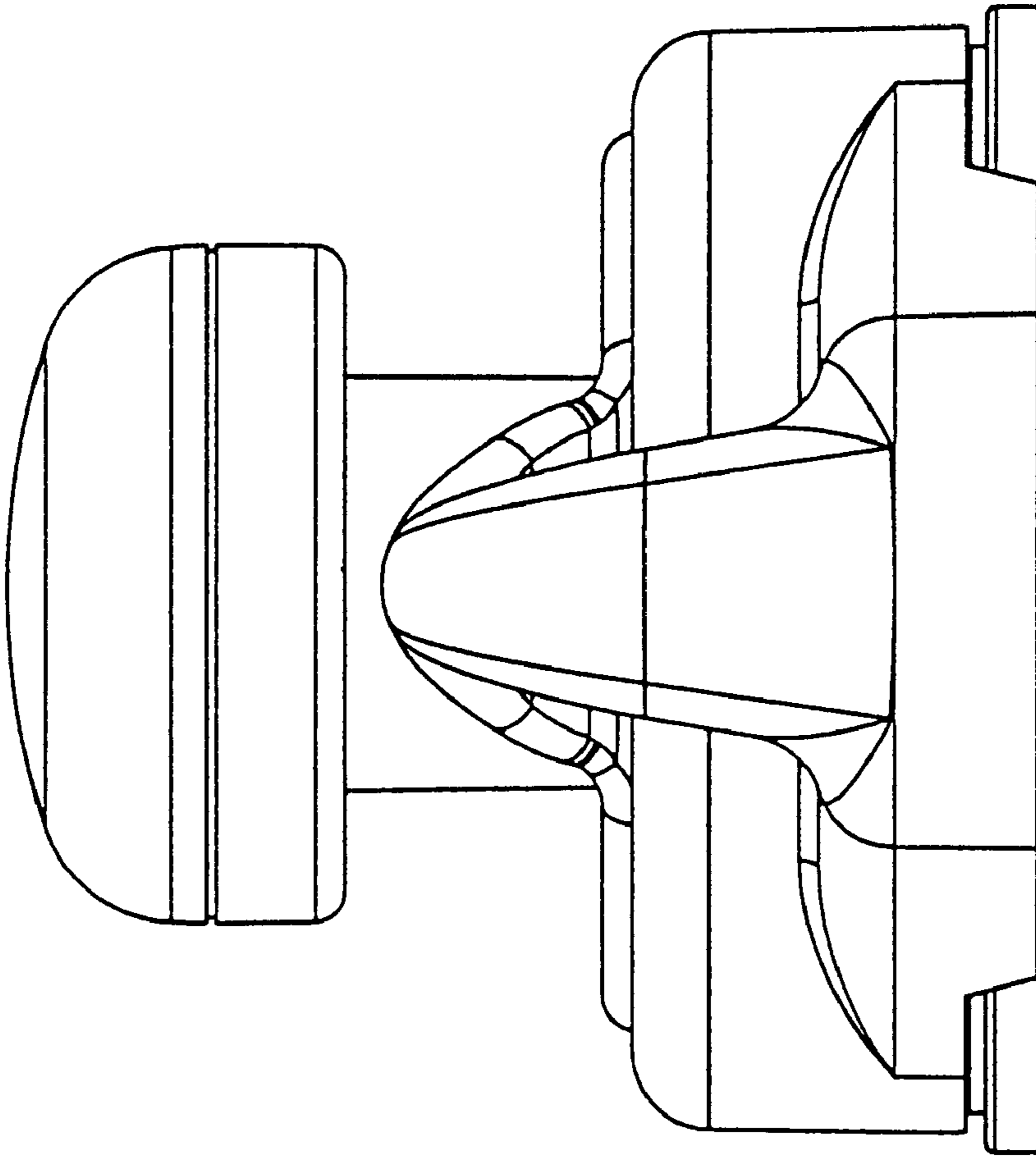


Fig. 5

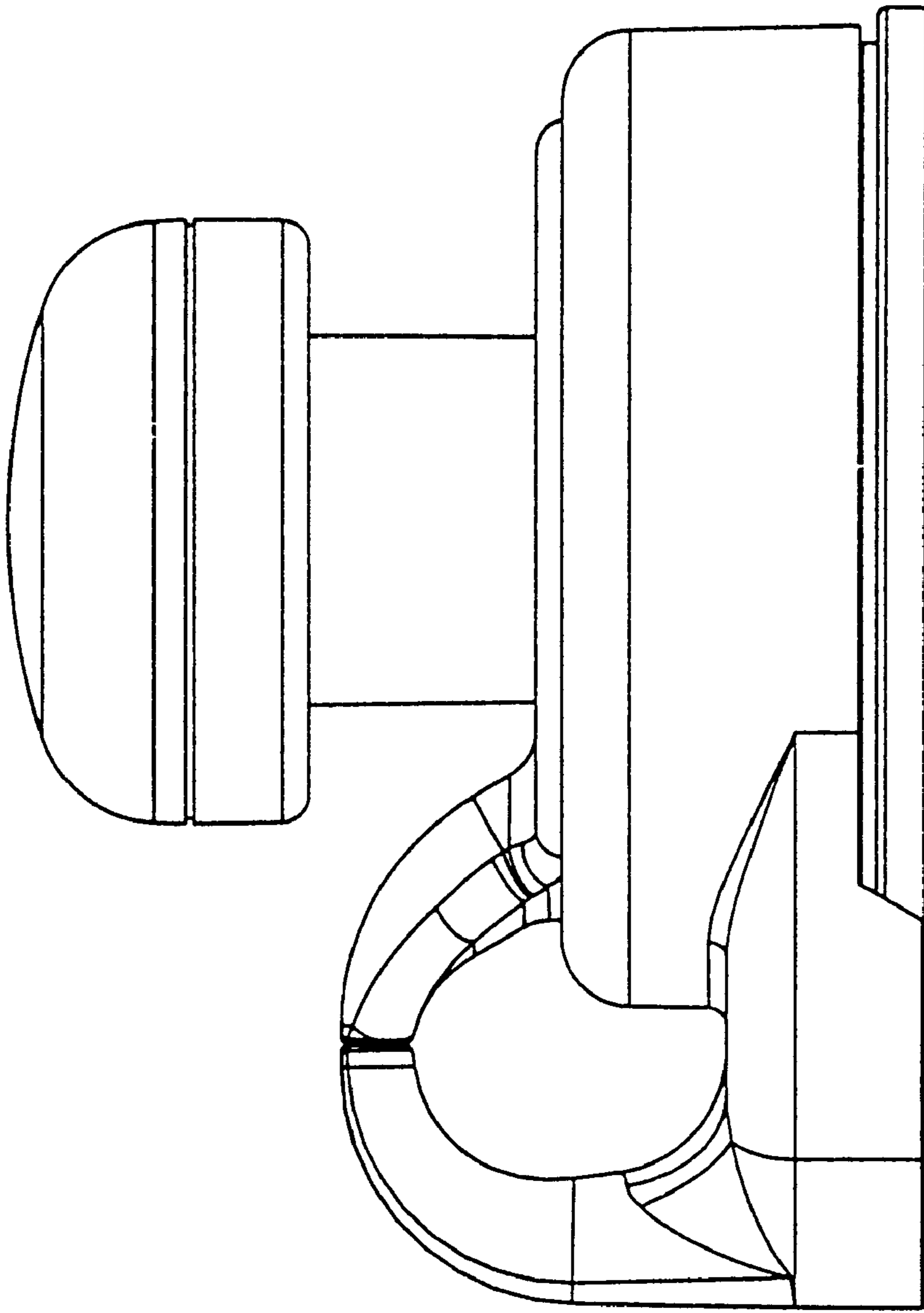


Fig. 6

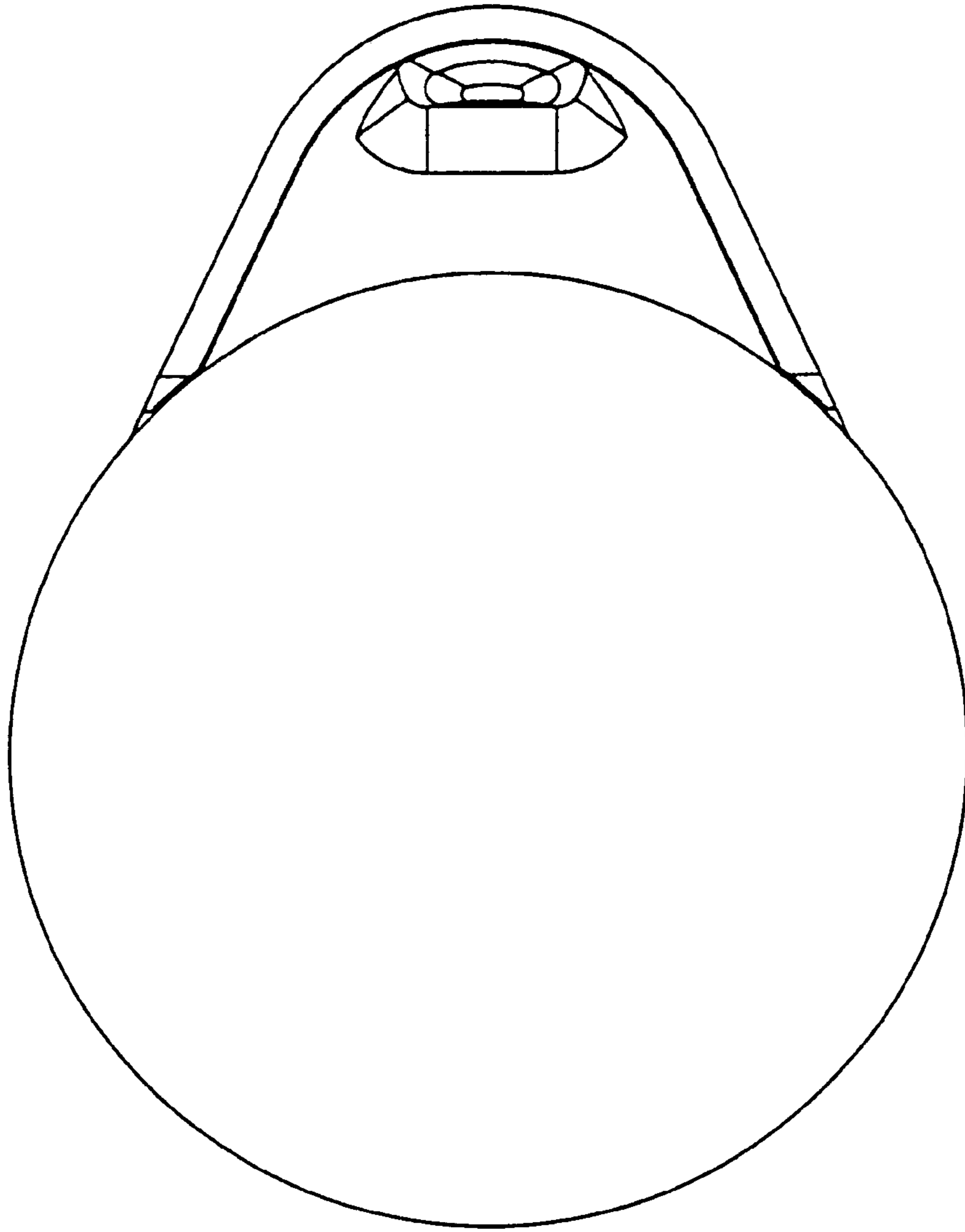


Fig. 7