



US00D464864S

(12) **United States Design Patent**
Bertani

(10) **Patent No.:** **US D464,864 S**

(45) **Date of Patent:** **** Oct. 29, 2002**

(54) **HANDWHEEL WITH FOLD AWAY SIDE HANDLE**

D369,966 S * 5/1996 Decursu D8/309
D373,064 S * 8/1996 Decursu et al. D8/309

(75) Inventor: **Alberto Bertani**, Milan (IT)

FOREIGN PATENT DOCUMENTS

(73) Assignee: **Elesa S.p.A.**, Milan (IT)

XH DM/029 270 * 4/1994

(**) Term: **14 Years**

OTHER PUBLICATIONS

(21) Appl. No.: **29/117,825**

Kipp/Elesa Machine Handle Catalog; p. 5; solid type single handle handwheel.*

(22) Filed: **Jan. 31, 2000**

* cited by examiner

(30) **Foreign Application Priority Data**

Primary Examiner—B. J. Bullock

Aug. 2, 1999 (XH) DM/049 268

(74) *Attorney, Agent, or Firm*—Pearne & Gordon LLP

(51) **LOC (7) Cl.** **08-06**

(57) **CLAIM**

(52) **U.S. Cl.** **D8/309; D15/142**

The ornamental design for a handwheel with fold away side handle, as shown and described.

(58) **Field of Search** 88/307, 309; 16/429, 16/432; D15/142; 74/558, 547, 552, 555, 556, 557, 528

DESCRIPTION

(56) **References Cited**

FIG. 1 is a front view of a handwheel with fold away side handle, showing my new design.

FIG. 2 is a bottom view thereof.

FIG. 3 is a top view thereof.

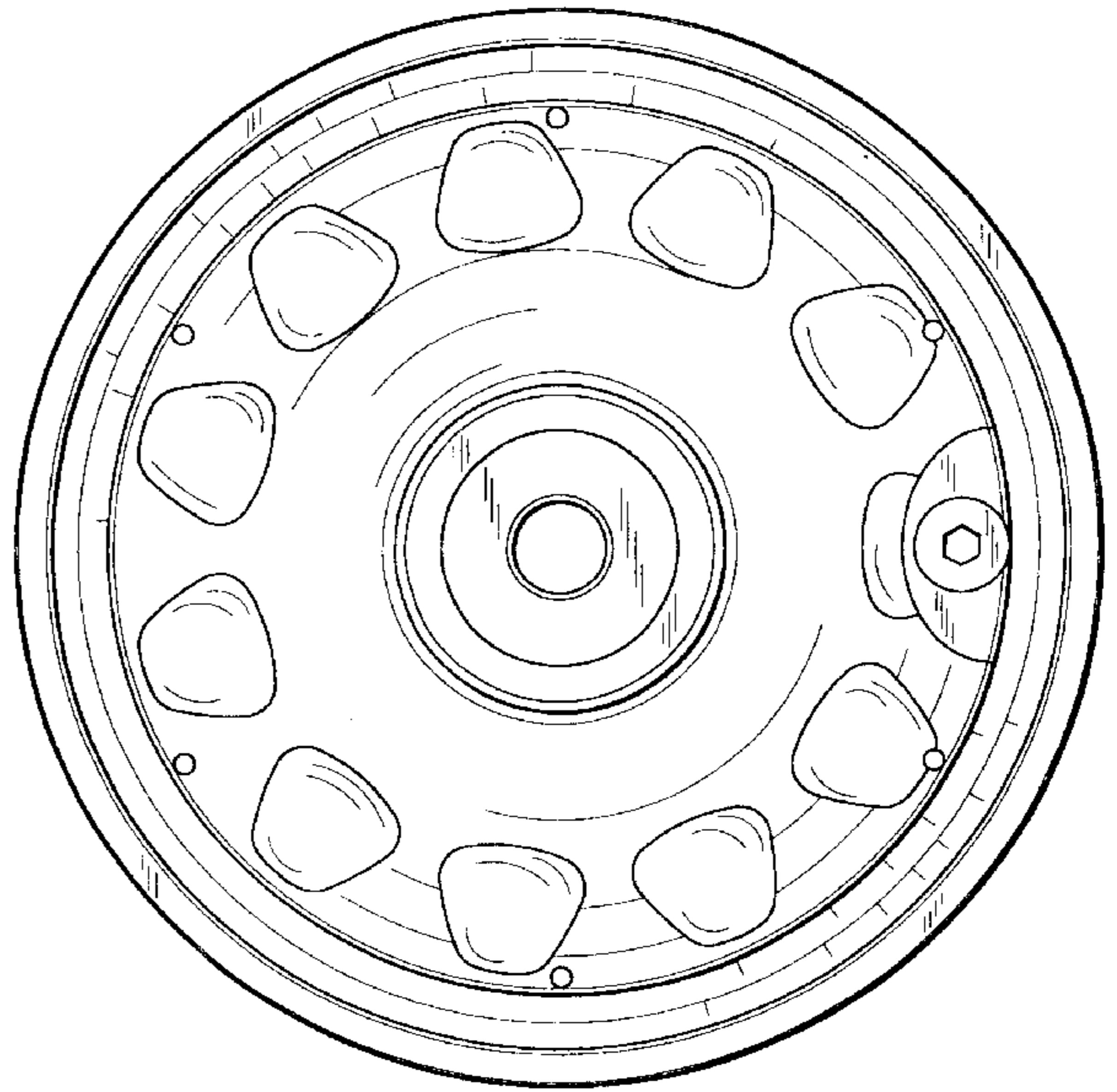
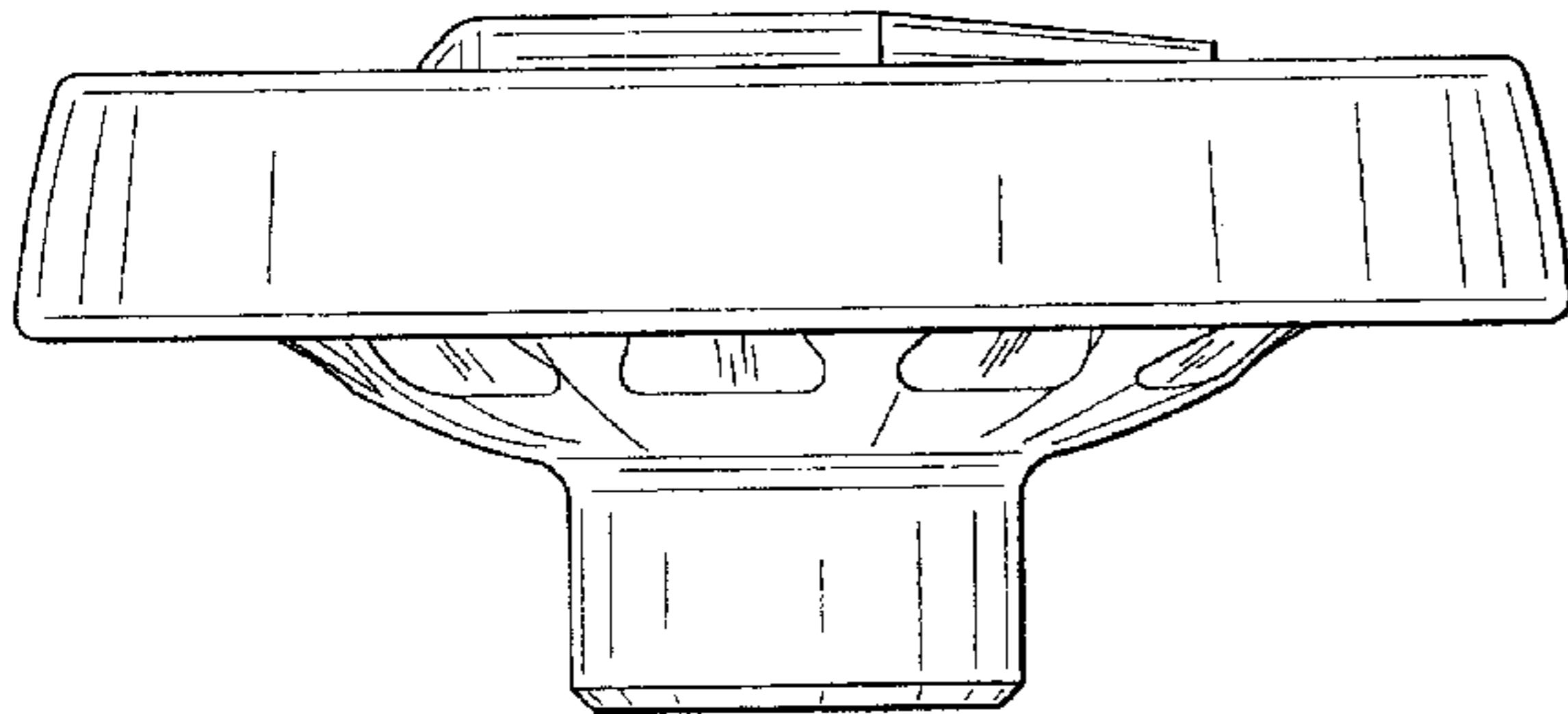
FIG. 4 is a left view thereof; and,

FIG. 5 is a right view thereof.

U.S. PATENT DOCUMENTS

- 4,219,232 A * 8/1980 Kouth
- 4,583,420 A * 4/1986 Miley
- D289,370 S * 4/1987 Bertani D8/309
- 4,860,423 A * 8/1989 Baynes

1 Claim, 5 Drawing Sheets



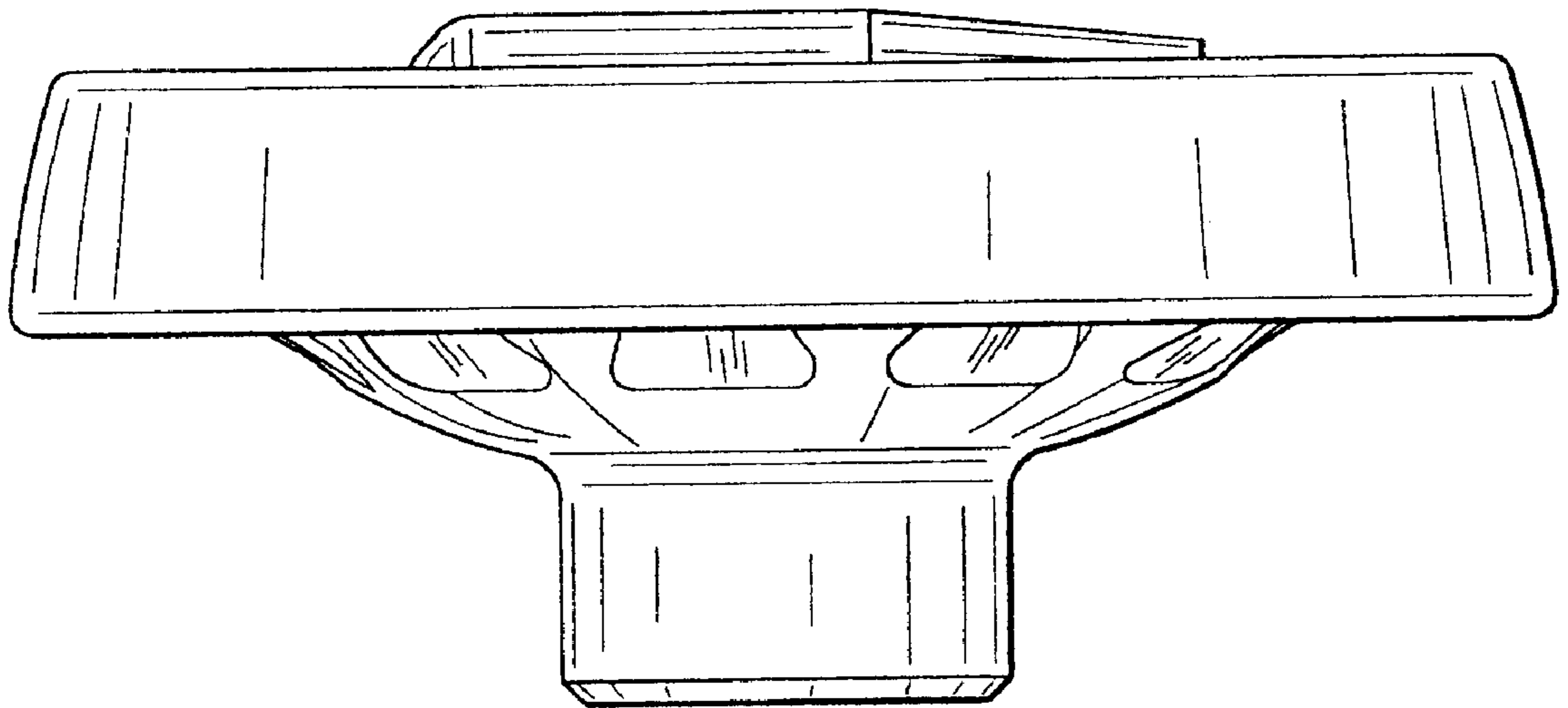


FIG. 1

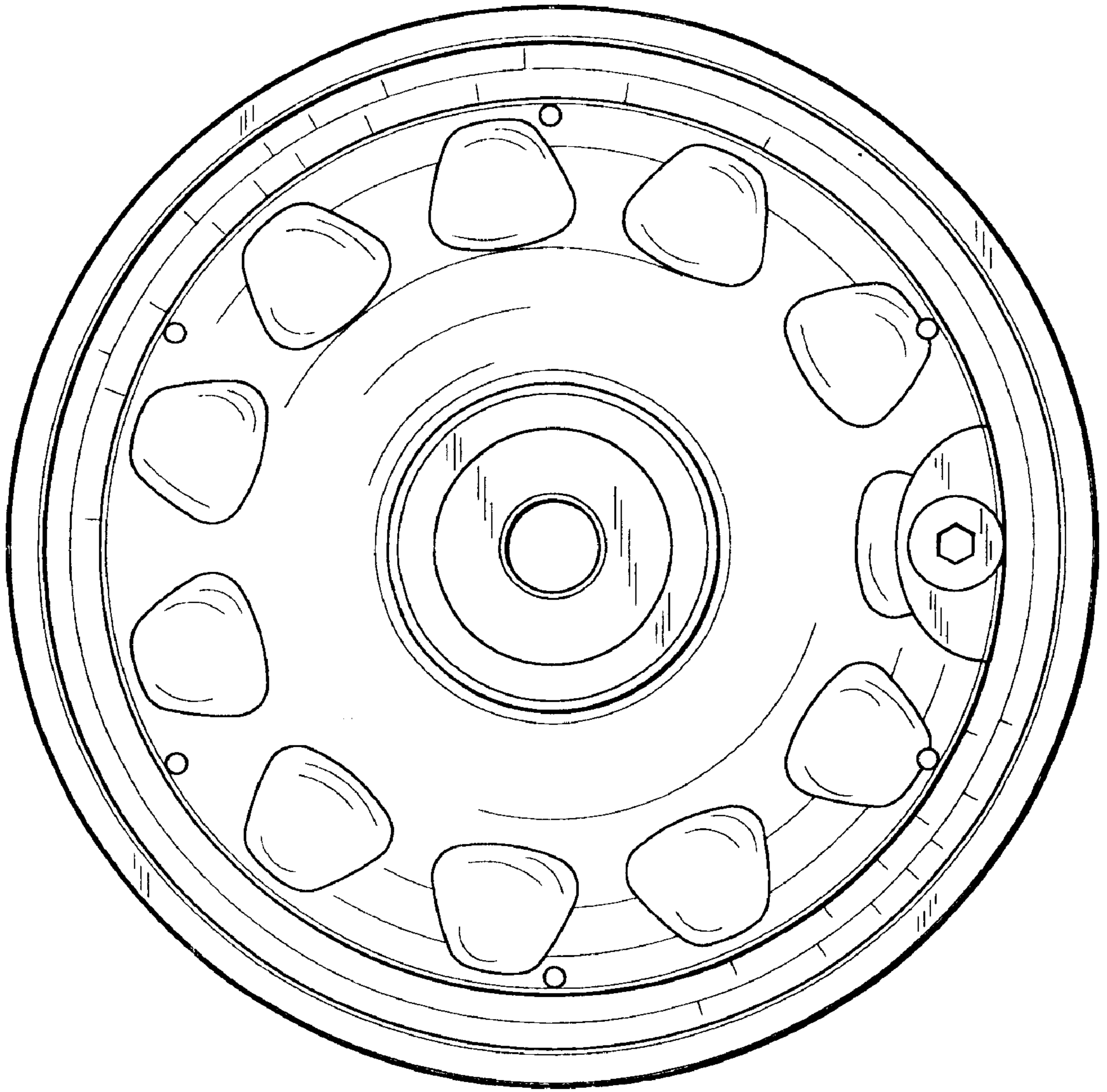


FIG. 2

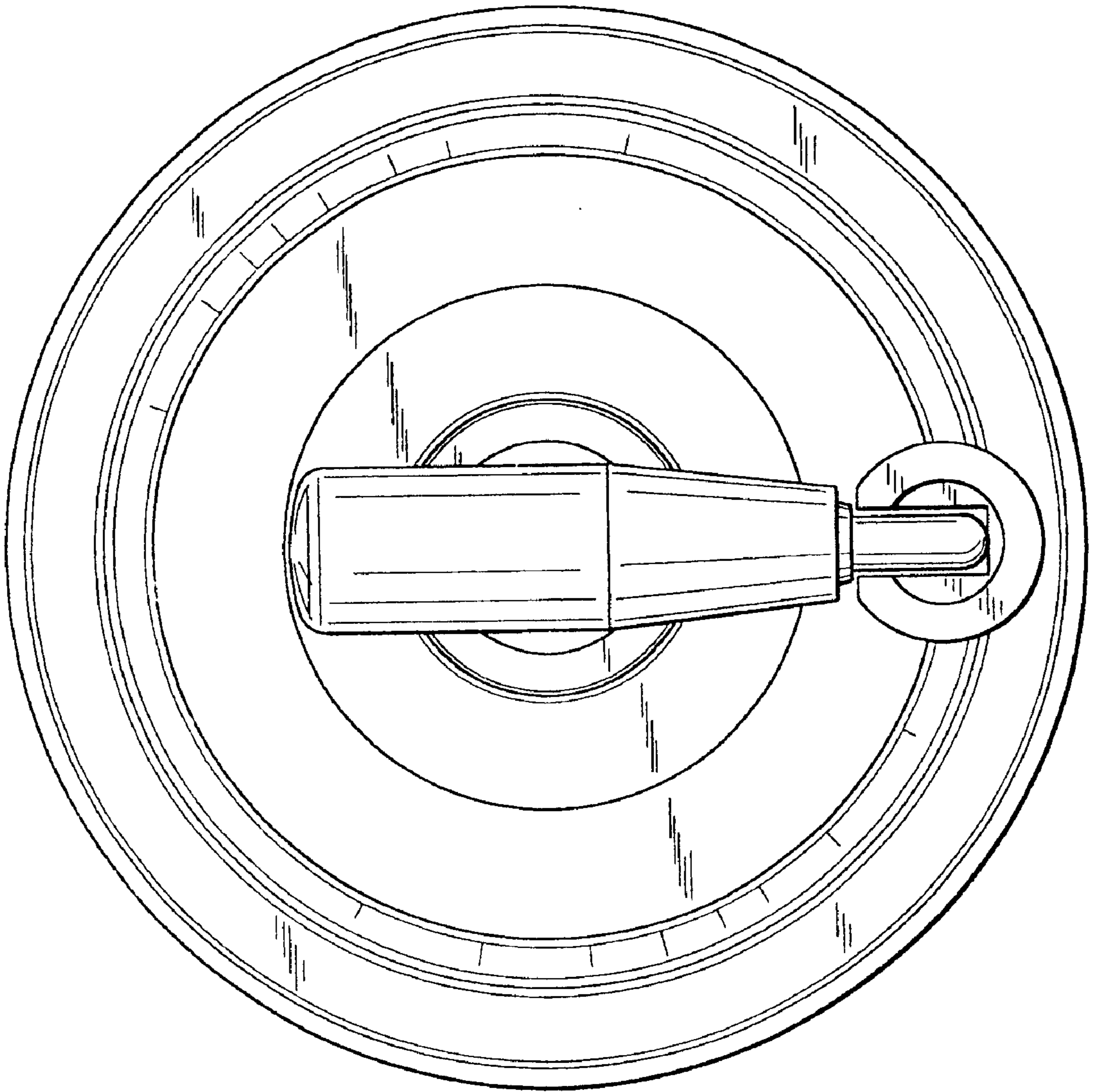


FIG. 3

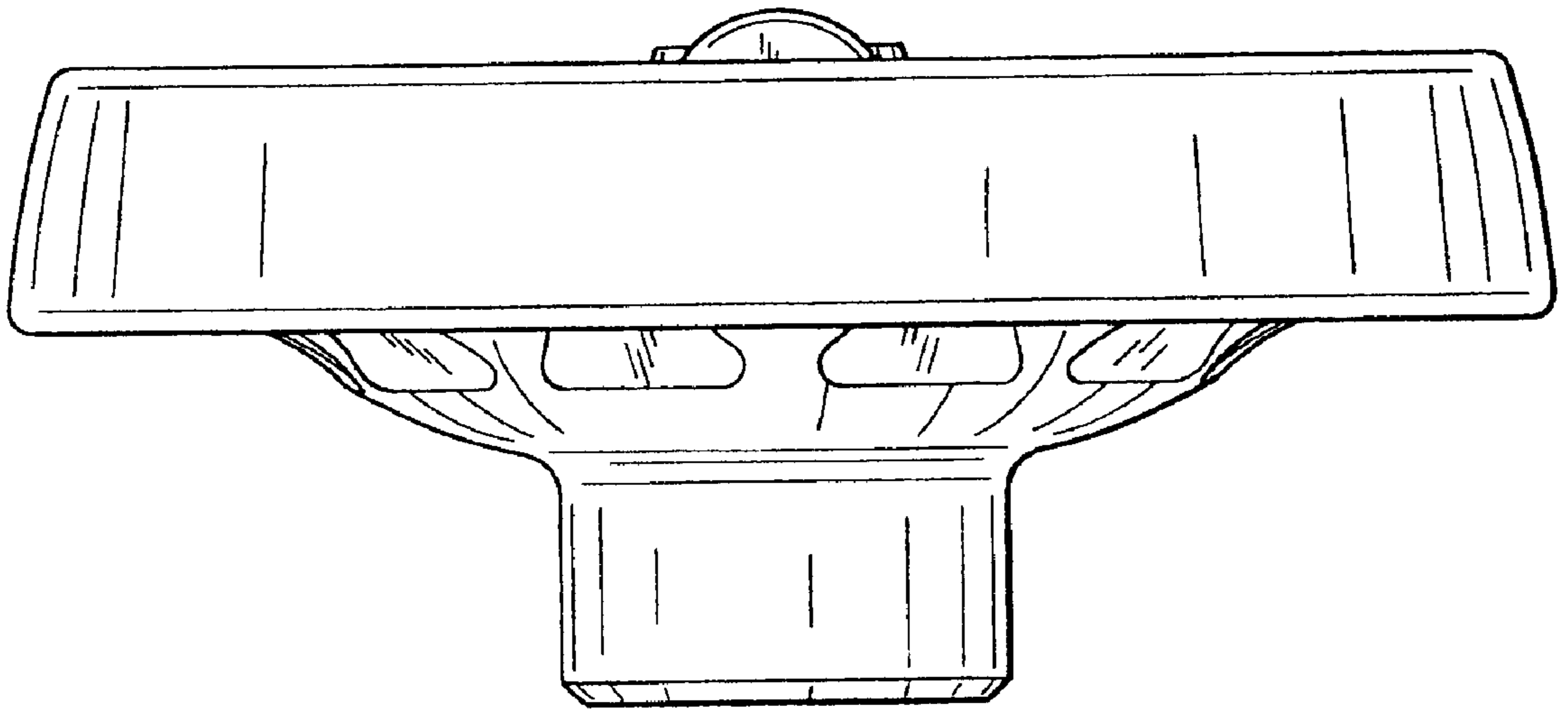


FIG. 4

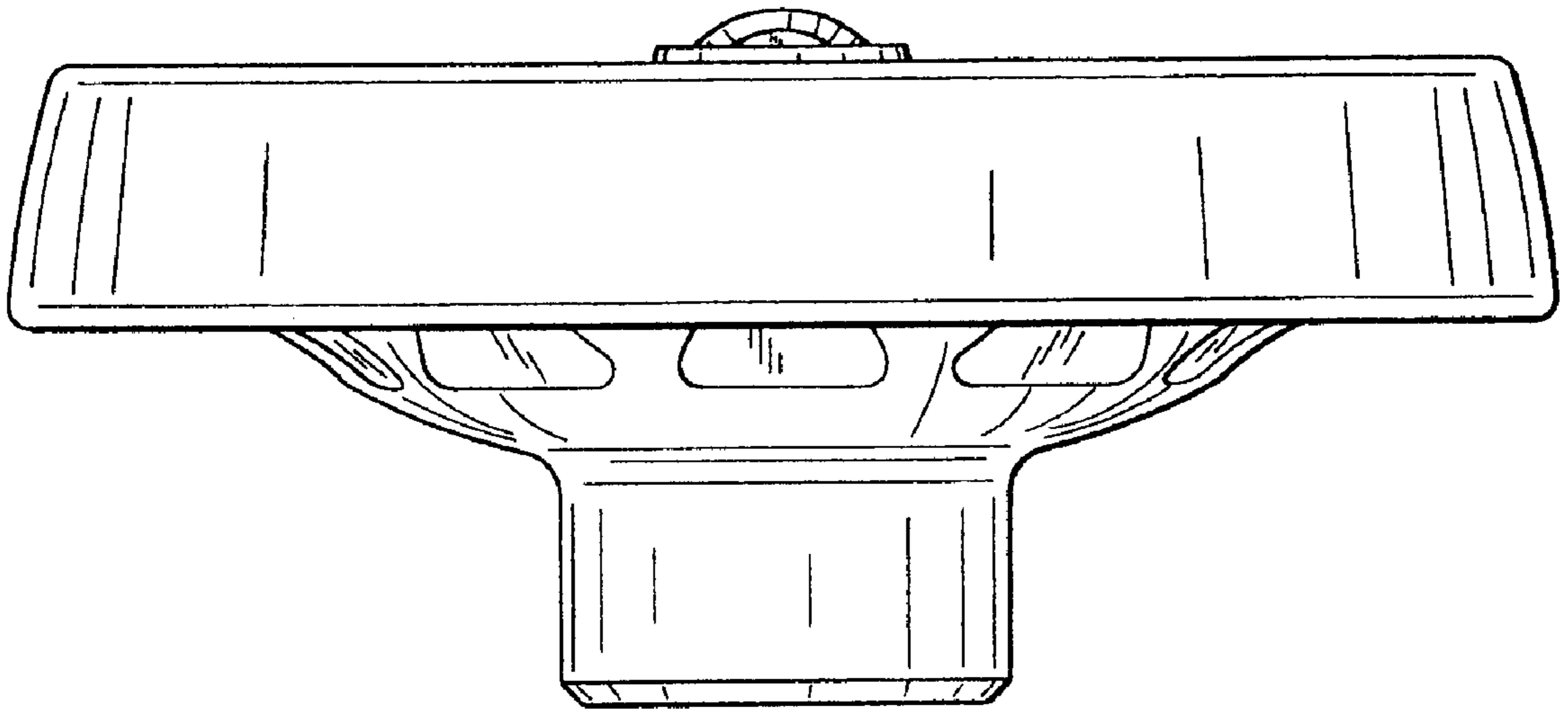


FIG. 5