



US00D464863S

(12) **United States Design Patent**
Teskey

(10) **Patent No.:** **US D464,863 S**

(45) **Date of Patent:** **** Oct. 29, 2002**

(54) **LOCK HOUSING AND PORTION OF A STEPPED PADDLE LATCH**

5,595,076 A * 1/1997 Weirnerman et al. . 292/DIG. 31
D394,373 S 5/1998 Weirnerman et al.
5,941,104 A * 8/1999 Sadler 292/DIG. 31
5,983,682 A * 11/1999 Parikh 70/208

(75) Inventor: **Gregg A. Teskey**, Trabuca Canyon, CA (US)

OTHER PUBLICATIONS

(73) Assignee: **Ryadon, Inc.**, Lake Forest, CA (US)

U.S. Trademark Registration No. 1,449,084 registered Jul. 21, 1987 for Latches and Locks for Closures, in Class 6 by The Eastern Company.

(**) Term: **14 Years**

U.S. Trademark Registration No. 1,719,665 registered Sep. 22, 1992 for Latches and Locks for Closures, in Class 6 by The Eastern Company, dba Eberhard Manufacturing Company.

(21) Appl. No.: **29/125,097**

(22) Filed: **Jun. 19, 2000**

(51) **LOC (7) Cl.** **08-06**

(52) **U.S. Cl.** **D8/306; D8/321; D8/353**

(58) **Field of Search** D8/321, 350, 353,
D8/306; 174/66; 220/241; 439/536; 16/402;
70/208; 292/DIG. 42, DIG. 68, DIG. 31,
DIG. 67, 336.3

* cited by examiner

Primary Examiner—B J Bullock

(74) *Attorney, Agent, or Firm*—Fulwider Patton Lee & Utecht

(56) **References Cited**

(57) **CLAIM**

U.S. PATENT DOCUMENTS

The ornamental design for a lock housing and portion of a stepped paddle latch, as shown and described.

- D175,844 S * 10/1955 Levine
- D182,305 S * 3/1958 Russell
- 3,668,907 A 6/1972 Pastva, Jr.
- 4,438,964 A * 3/1984 Peters 70/208
- 4,566,666 A * 1/1986 Meska et al. 174/66
- 4,756,695 A * 7/1988 Lane et al.
- D303,566 S * 9/1989 Kohler, Jr. et al. D8/350
- D304,155 S 10/1989 Russell et al.
- D314,131 S 1/1991 Russell et al.
- D340,718 S * 10/1993 Leger et al. D8/350

DESCRIPTION

FIG. 1 is a top perspective view showing my new design; and, FIG. 2 is a front view, in enlarged scale, thereof. The broken lines are for illustrative purposes only and form no part of the claimed design.

1 Claim, 1 Drawing Sheet

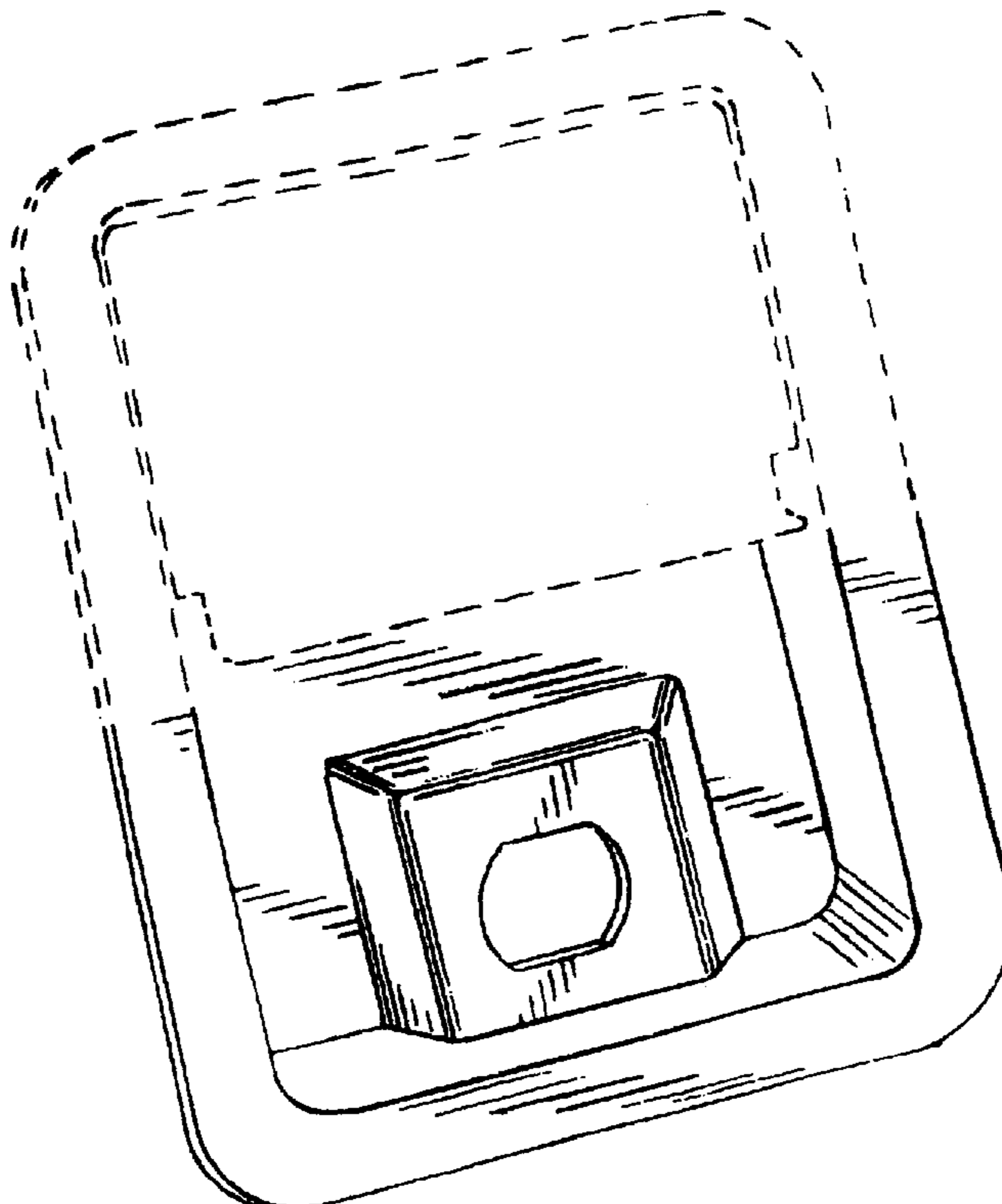


FIG. 1

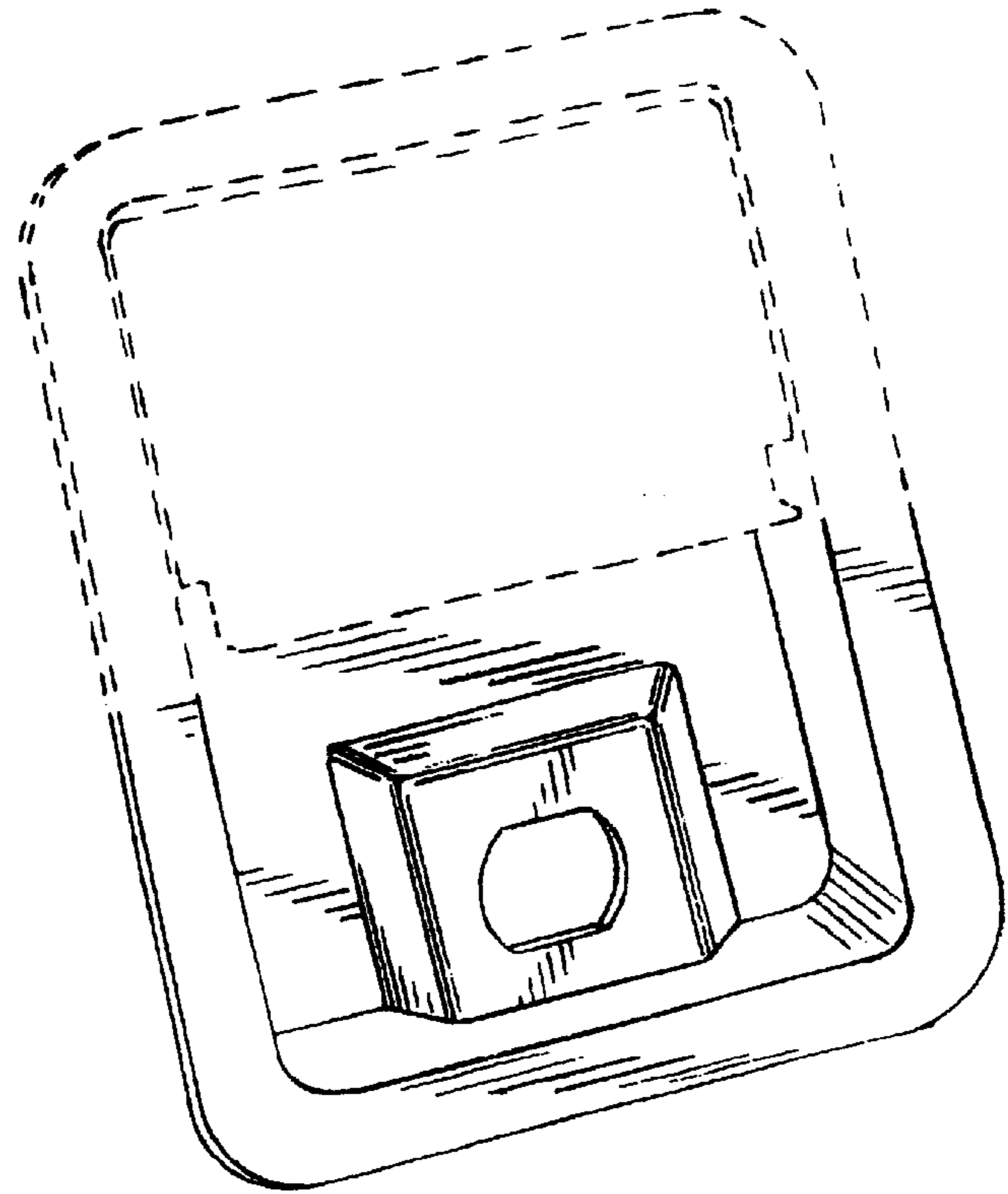


FIG. 2

