



US00D464862S

(12) **United States Design Patent**
Younani

(10) **Patent No.:** **US D464,862 S**

(45) **Date of Patent:** **** Oct. 29, 2002**

(54) **SOLAR POWERED ILLUMINATED DOOR KNOB**

(76) **Inventor:** **Sarges Younani**, 17904 W. Danielson St. #203, Canyon Country, CA (US) 91351

(**) **Term:** **14 Years**

(21) **Appl. No.:** **29/134,751**

(22) **Filed:** **Dec. 29, 2000**

(51) **LOC (7) Cl.** **08-06**

(52) **U.S. Cl.** **D8/301; D8/310; D26/51**

(58) **Field of Search** **D8/300, 301, 310; D26/51; 362/100; 16/110.1, 414, 417, 441, 903; D13/165; 136/243, 252, 259**

(56) **References Cited**

U.S. PATENT DOCUMENTS

2,078,865	A	*	4/1937	MacLaury	
2,309,840	A		2/1943	Garvert et al.	
2,676,244	A	*	4/1954	Dittman	362/100
2,914,656	A	*	11/1959	Keith	362/100
3,955,075	A		5/1976	Susedik	
4,293,894	A	*	10/1981	Blank	362/100
4,683,741	A		8/1987	Fields	
4,914,554	A	*	4/1990	Sowers	362/100

4,981,314	A		1/1991	Carr	
5,008,551	A	*	4/1991	Randolph	16/414
5,057,975	A		10/1991	Evigan	
D322,550	S		12/1991	Evans	
5,179,325	A	*	1/1993	Aragon, Jr.	362/100
5,398,175	A		3/1995	Pea	
6,020,553	A	*	2/2000	Yogev	136/259
D446,438	S	*	8/2001	Ciaramitaro et al.	D26/51

* cited by examiner

Primary Examiner—B. J. Bullock

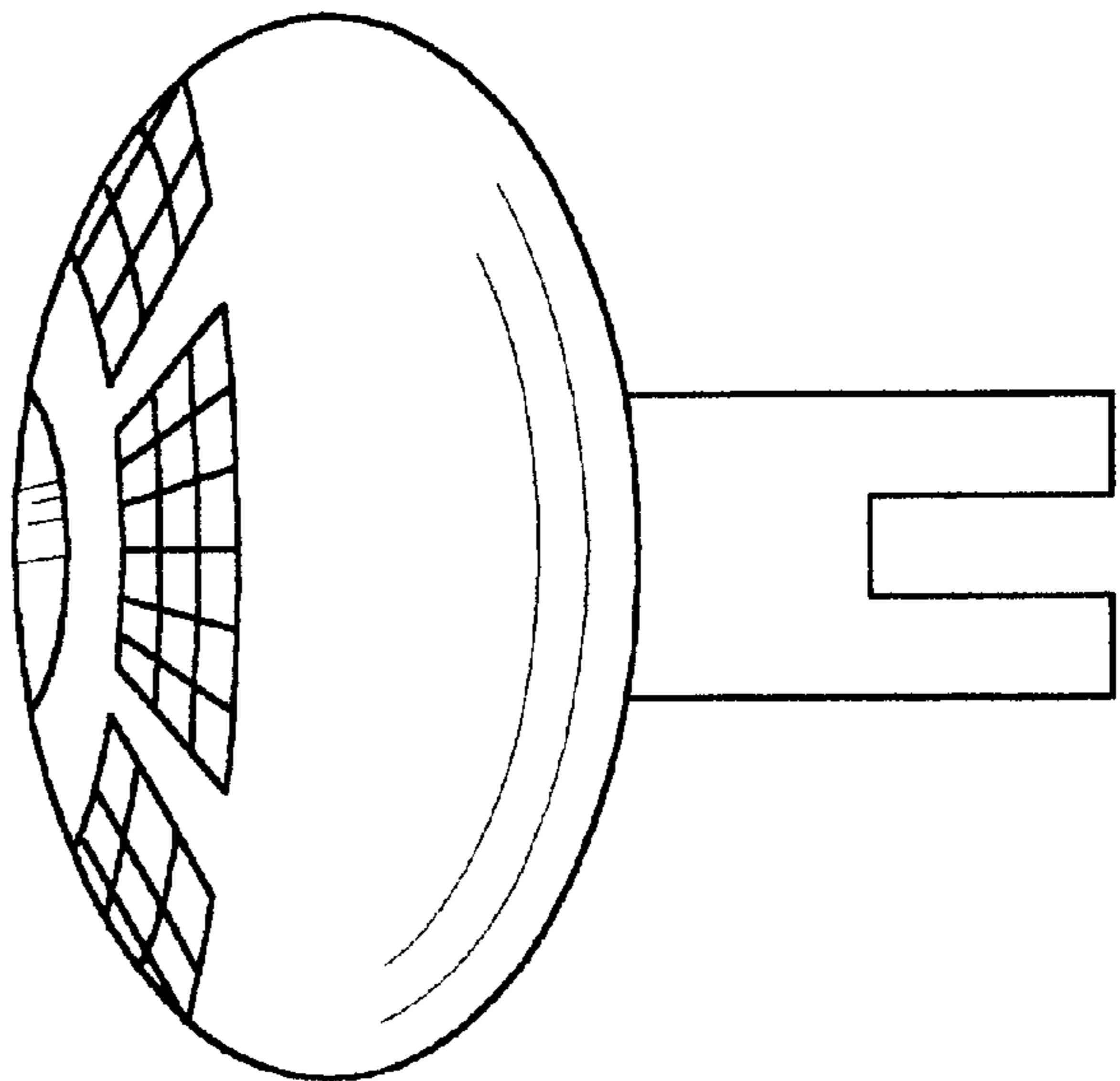
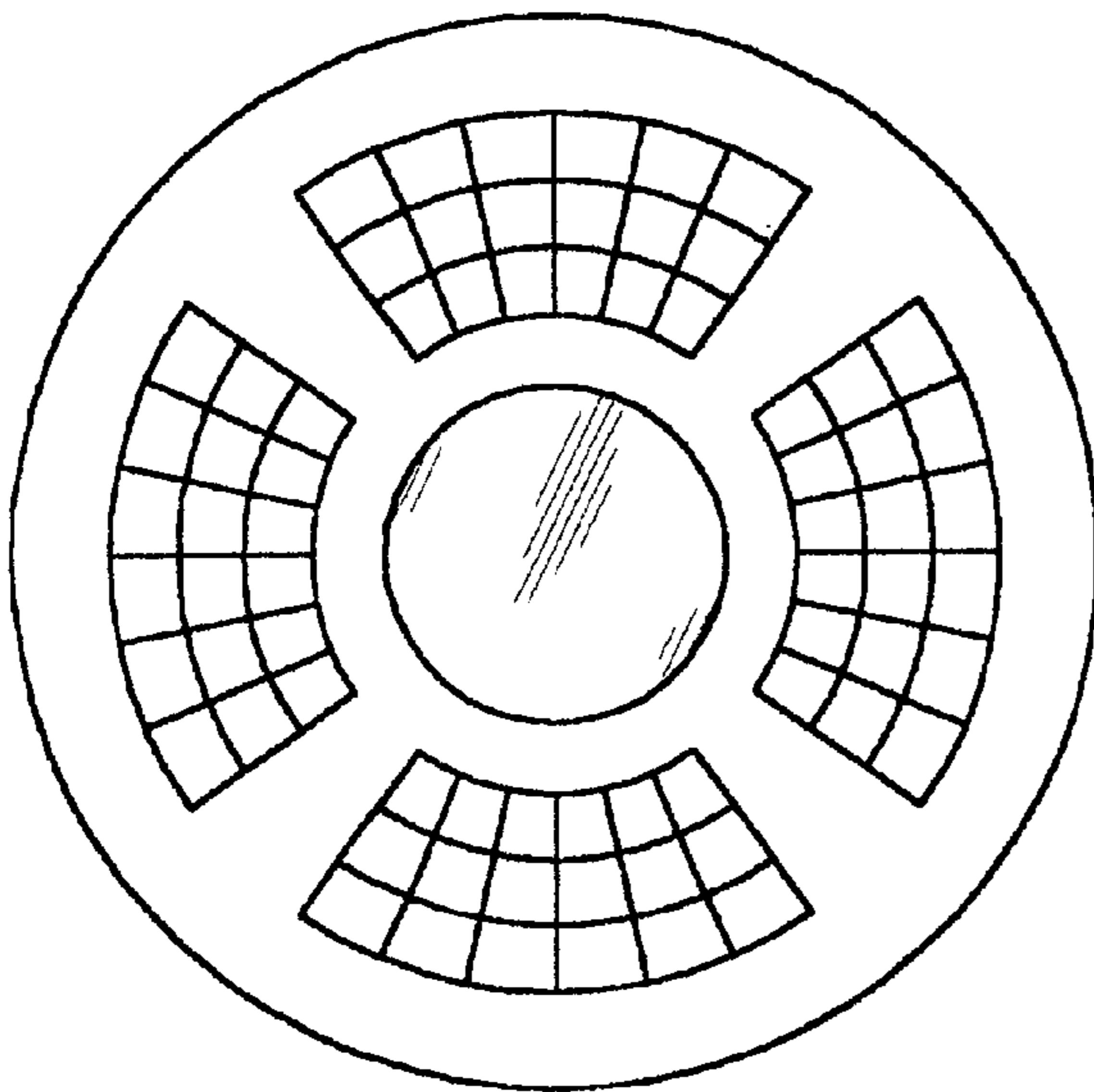
(57) **CLAIM**

The ornamental design for a solar powered illuminated door knob, as shown and described.

DESCRIPTION

FIG. 1 is a front elevational view of the solar powered illuminated door knob of the present invention; FIG. 2 is a rear elevational view of the solar powered illuminated door knob of FIG. 1; FIG. 3 is a right side elevational view of the solar powered illuminated door knob of FIG. 1, the left view being a mirror image thereof; and, FIG. 4 is a top plan view of the solar powered illuminated door knob of FIG. 1, the bottom view being a mirror image thereof.

1 Claim, 2 Drawing Sheets



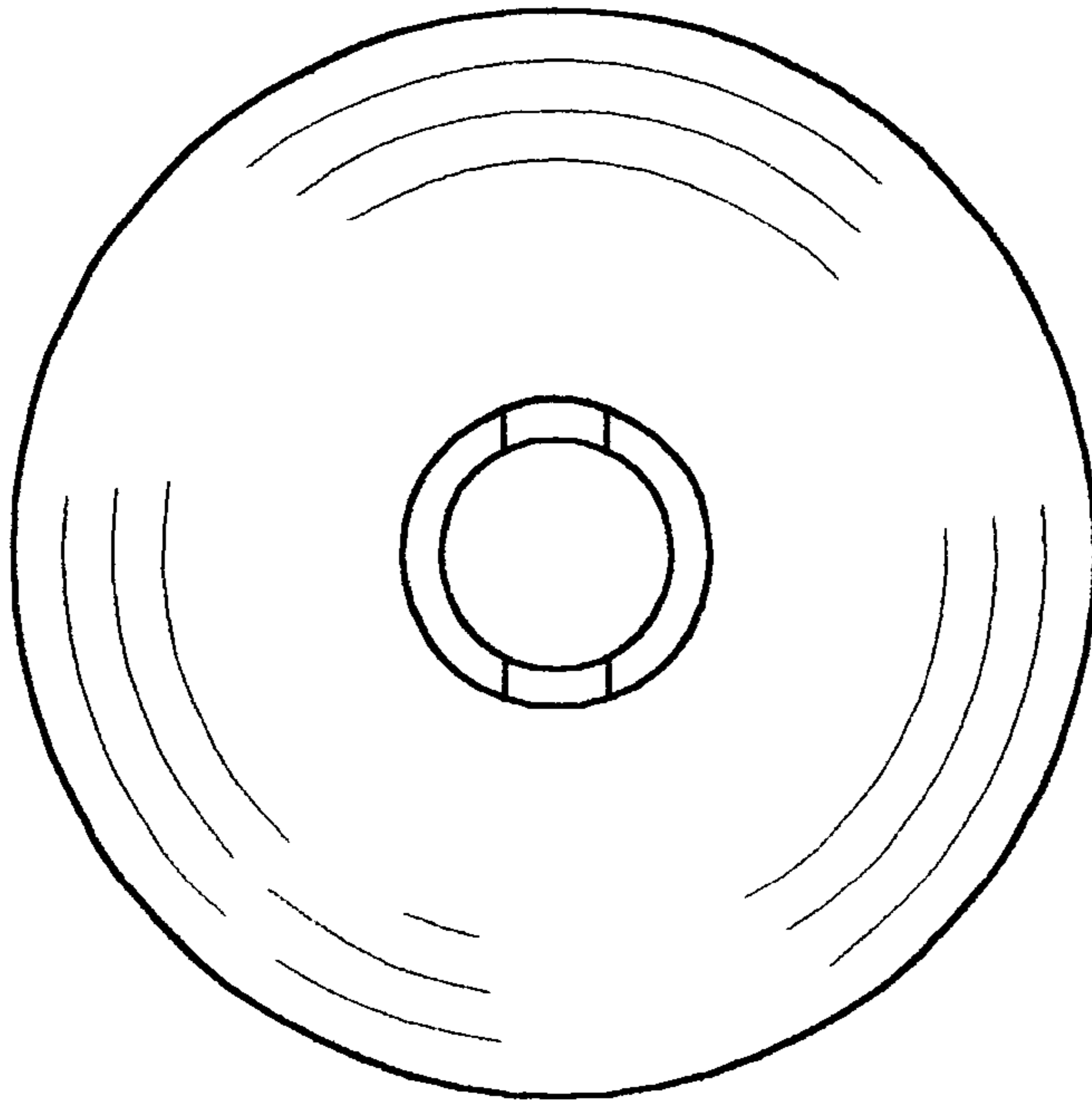


FIG. 2

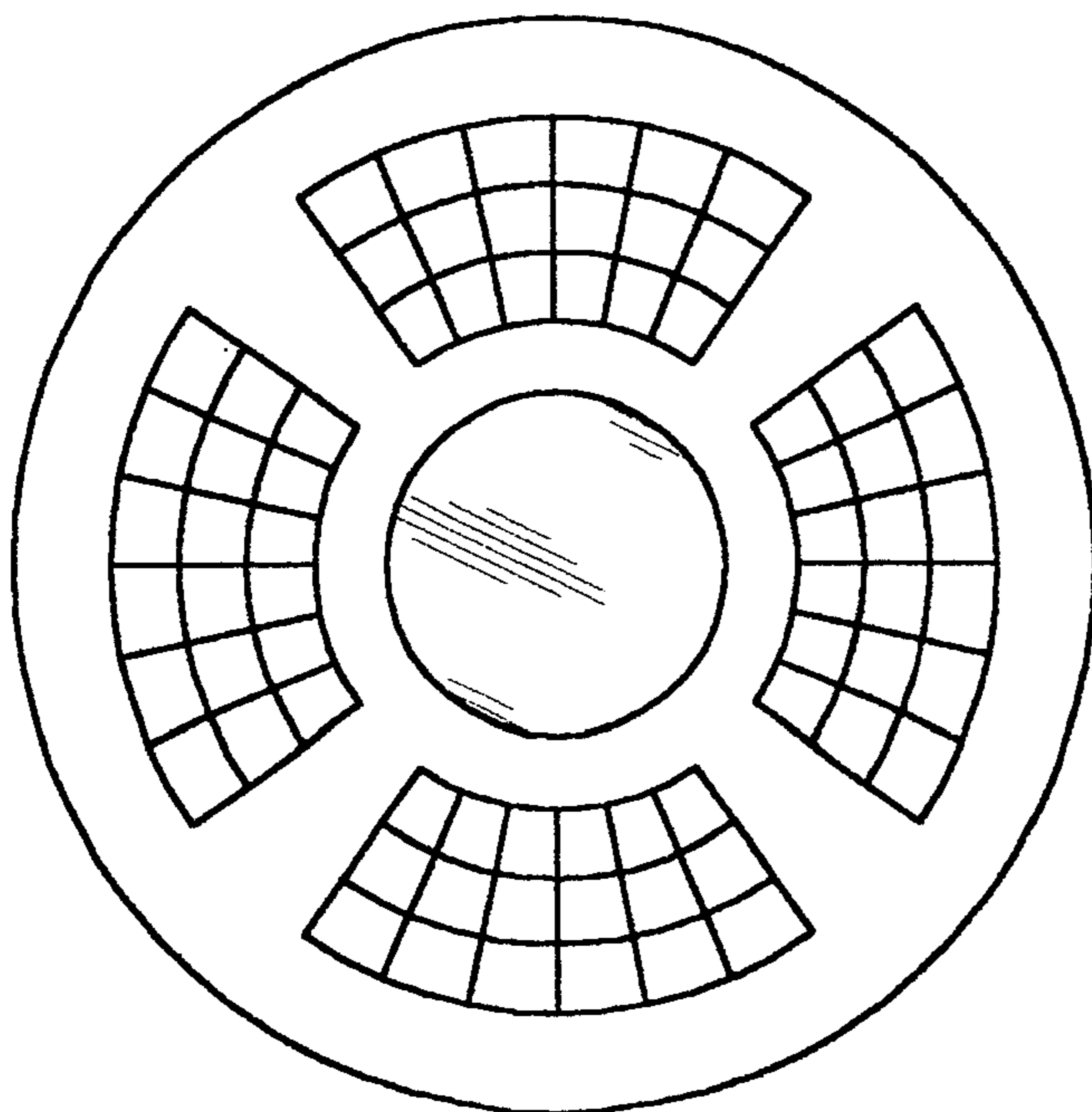


FIG. 1

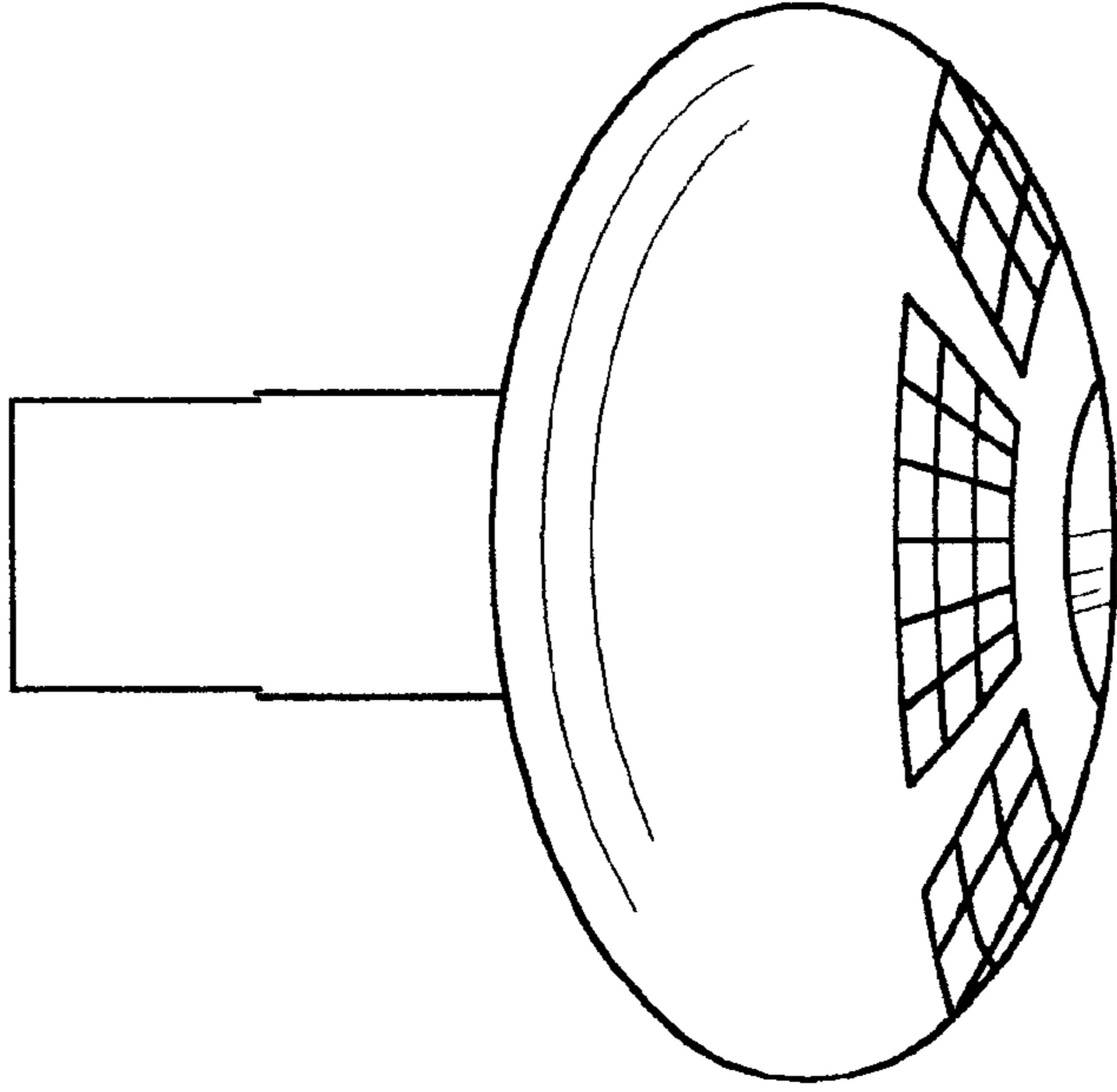


FIG. 4

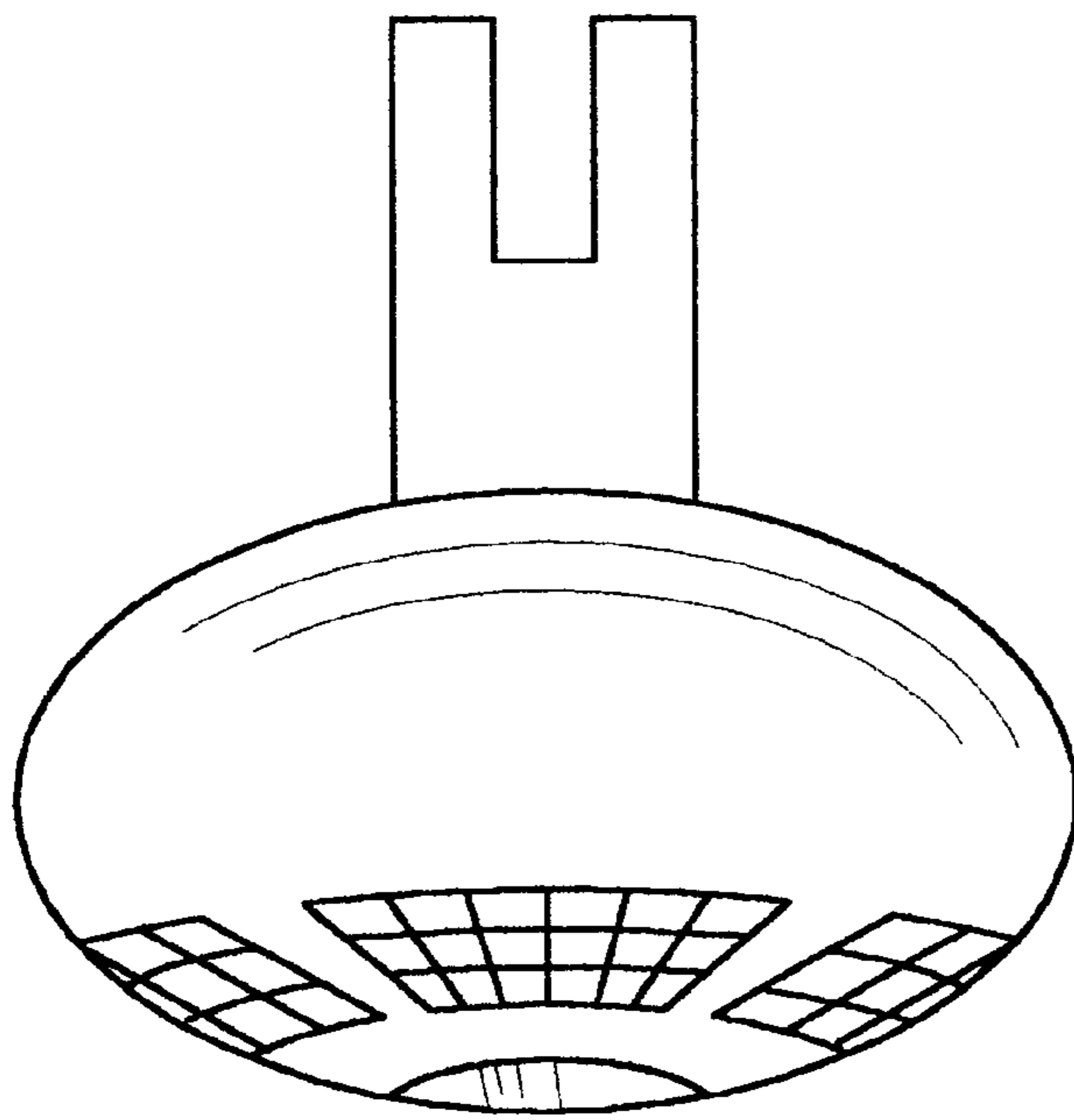


FIG. 3