



US00D464860S

(12) **United States Design Patent**  
**Mrsny**

(10) **Patent No.:** **US D464,860 S**

(45) **Date of Patent:** **\*\* Oct. 29, 2002**

(54) **GUTTER PRY BAR**  
(75) Inventor: **Mitchell S. Mrsny**, Denver, CO (US)  
(73) Assignee: **M&B Manufacturing, Inc.**, Denver, CO (US)  
(\*\*) Term: **14 Years**

4,789,134 A \* 12/1988 Tenuto et al. .... 254/104  
5,186,437 A \* 2/1993 Scott ..... 254/132  
D340,852 S \* 11/1993 Sanders et al. .... D8/88  
D361,248 S \* 8/1995 Harper et al. .... D8/51  
5,449,795 A \* 9/1995 Hogenkamp ..... 540/108  
5,464,192 A \* 11/1995 Burnham ..... 254/30  
5,618,030 A \* 4/1997 Eggert ..... 254/131  
D458,104 S \* 6/2002 Halstead et al. .... D8/88

\* cited by examiner

(21) Appl. No.: **29/150,543**  
(22) Filed: **Nov. 6, 2001**

*Primary Examiner*—Philip S. Hyder  
(74) *Attorney, Agent, or Firm*—Rick Martin; Patent Law Offices of Rick Martin PC

**Related U.S. Application Data**

(63) Continuation of application No. 09/648,155, filed on Aug. 25, 2000.  
(51) **LOC (7) Cl.** ..... **08-05**  
(52) **U.S. Cl.** ..... **D8/89; D8/51**  
(58) **Field of Search** ..... D8/51, 14, 88, D8/89; 254/30, 129, 131, 132, 31

(57) **CLAIM**

The ornamental design for a gutter pry bar, as shown.

**DESCRIPTION**

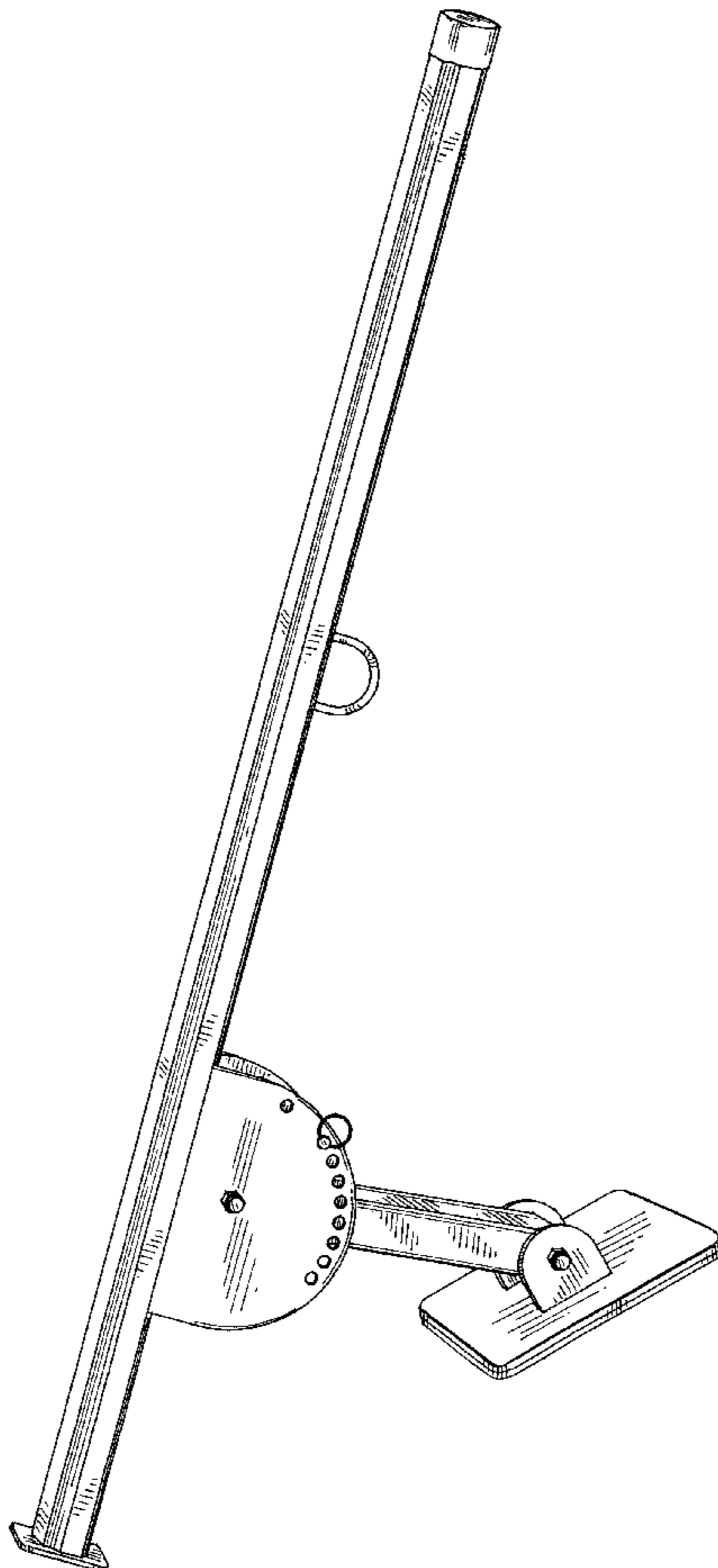
FIG. 1 is a front plan view of the gutter pry bar; FIG. 2 is a back plan view of the gutter pry bar; FIG. 3 is a right side plan view of the gutter pry bar; FIG. 4 is a left side plan view of the gutter pry bar; FIG. 5 is a top plan view of the gutter pry bar; FIG. 6 is a bottom plan view of the gutter pry bar; and, FIG. 7 is a top perspective view of the gutter pry bar.

(56) **References Cited**

**U.S. PATENT DOCUMENTS**

766,694 A \* 8/1904 Hawkins ..... 212/342  
3,583,743 A \* 6/1971 Newell ..... 248/354.1  
4,738,433 A \* 4/1988 Hoff ..... 254/30

**1 Claim, 3 Drawing Sheets**



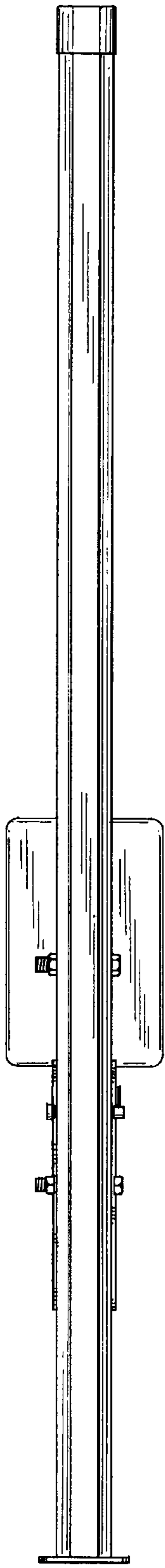


FIG. 1

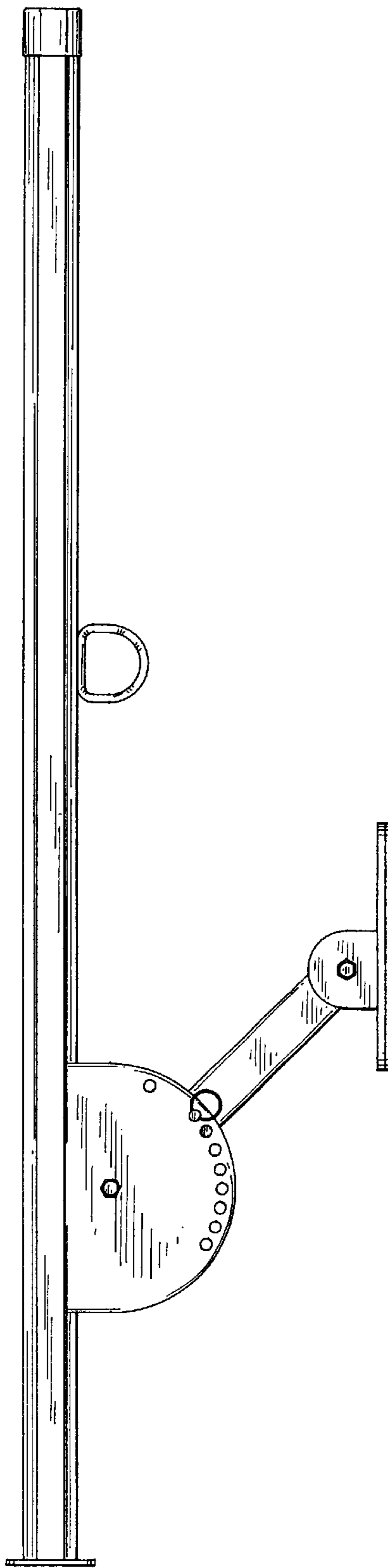


FIG. 3

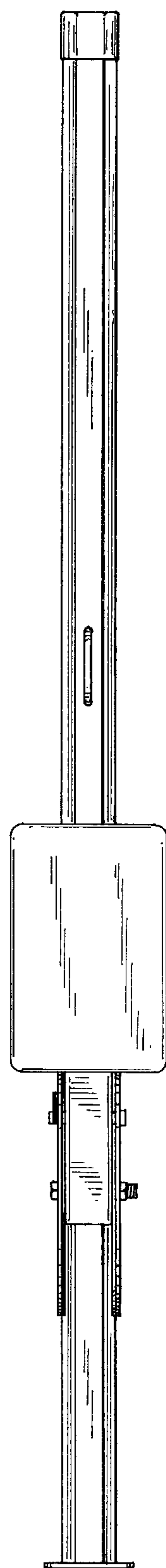


FIG. 2

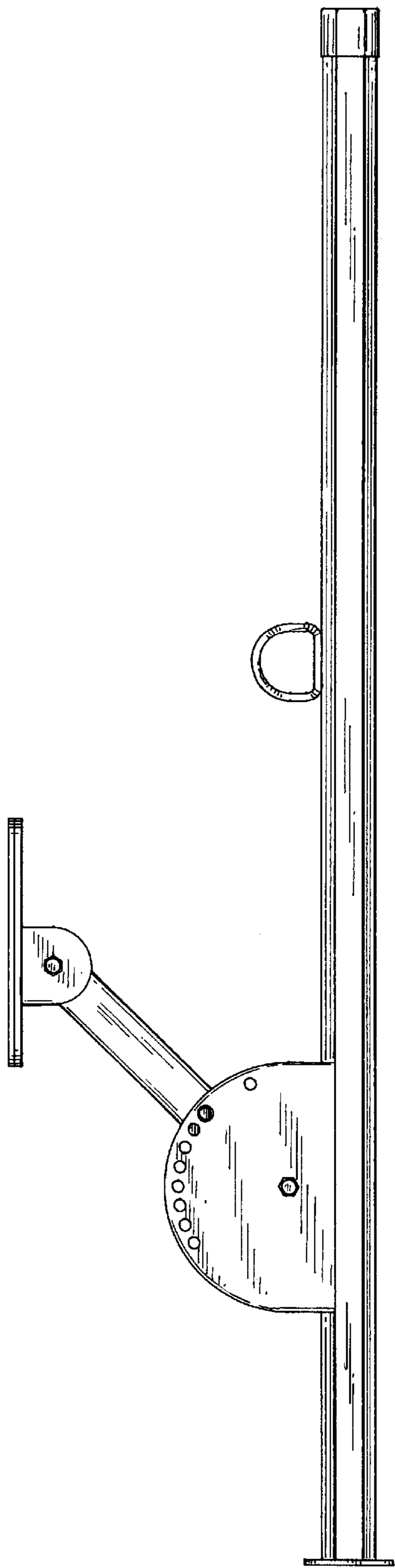


FIG. 4

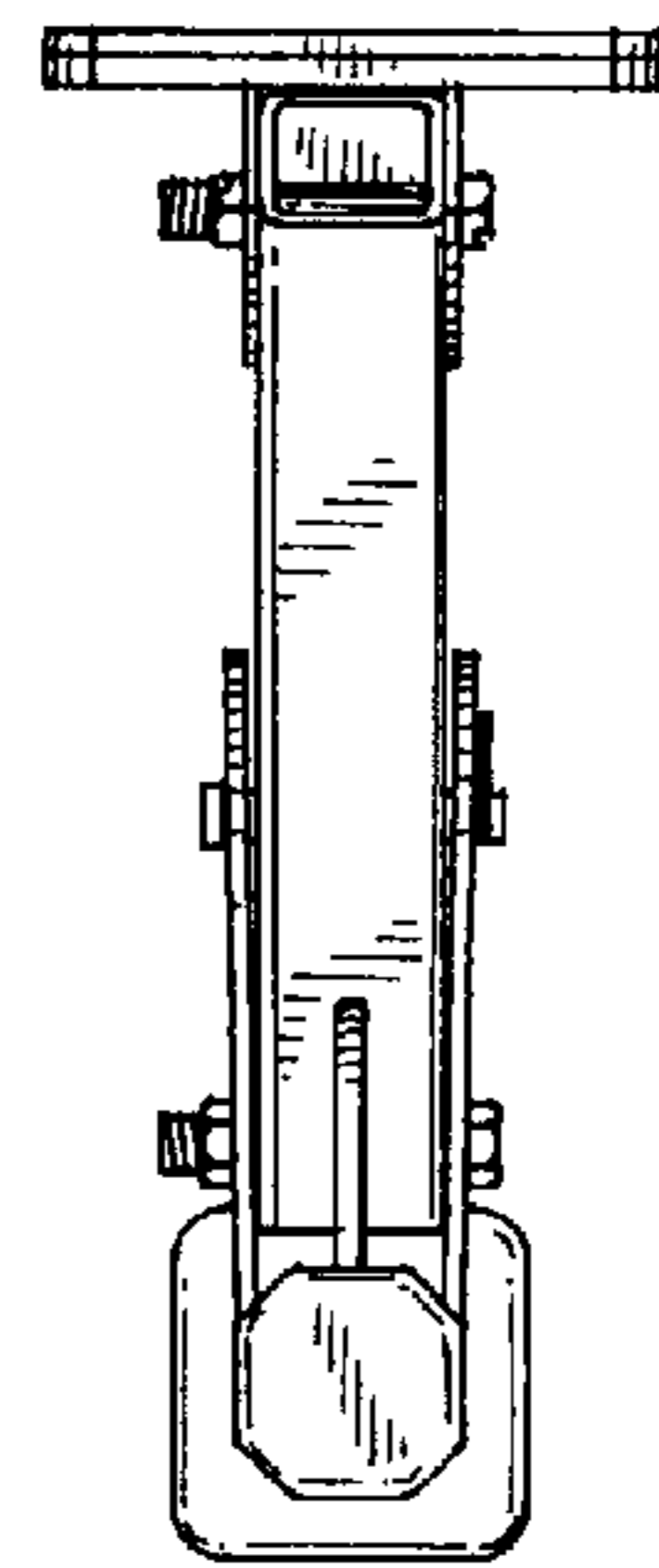


FIG. 5

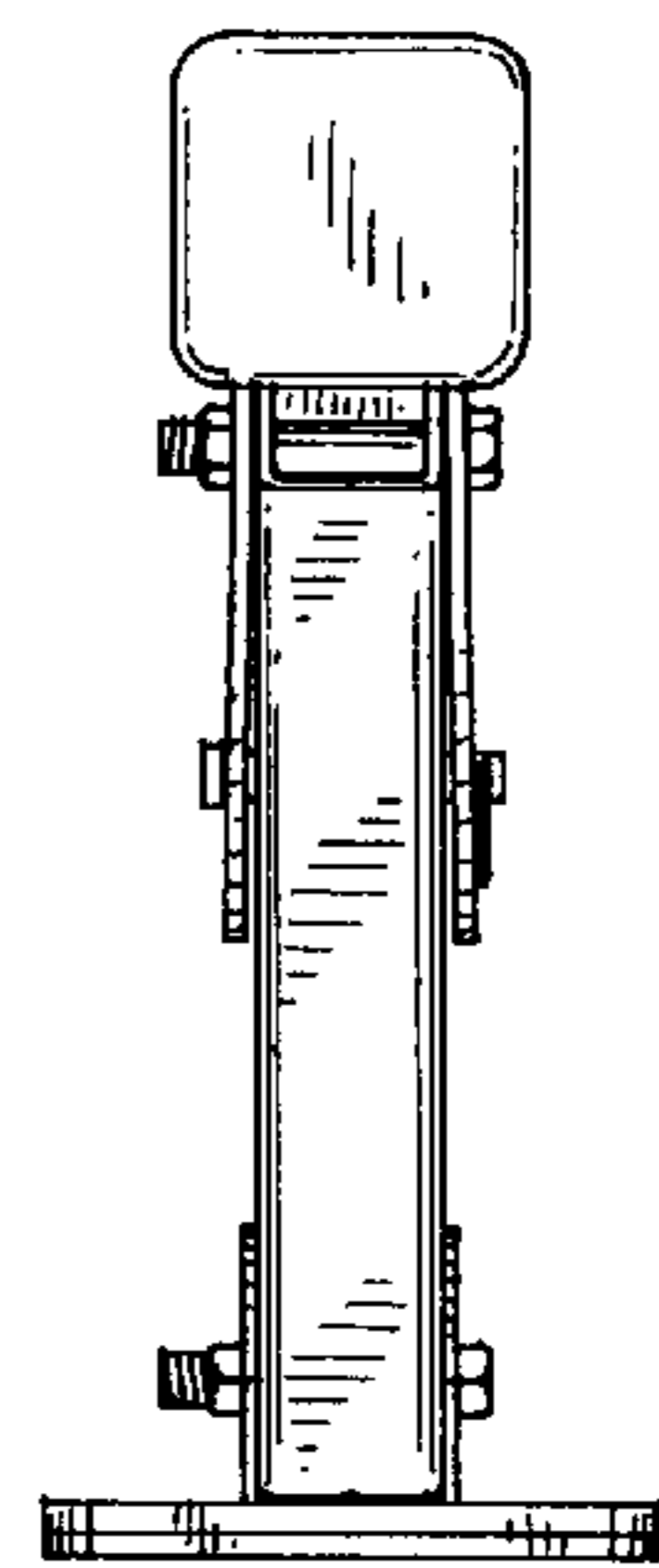


FIG. 6

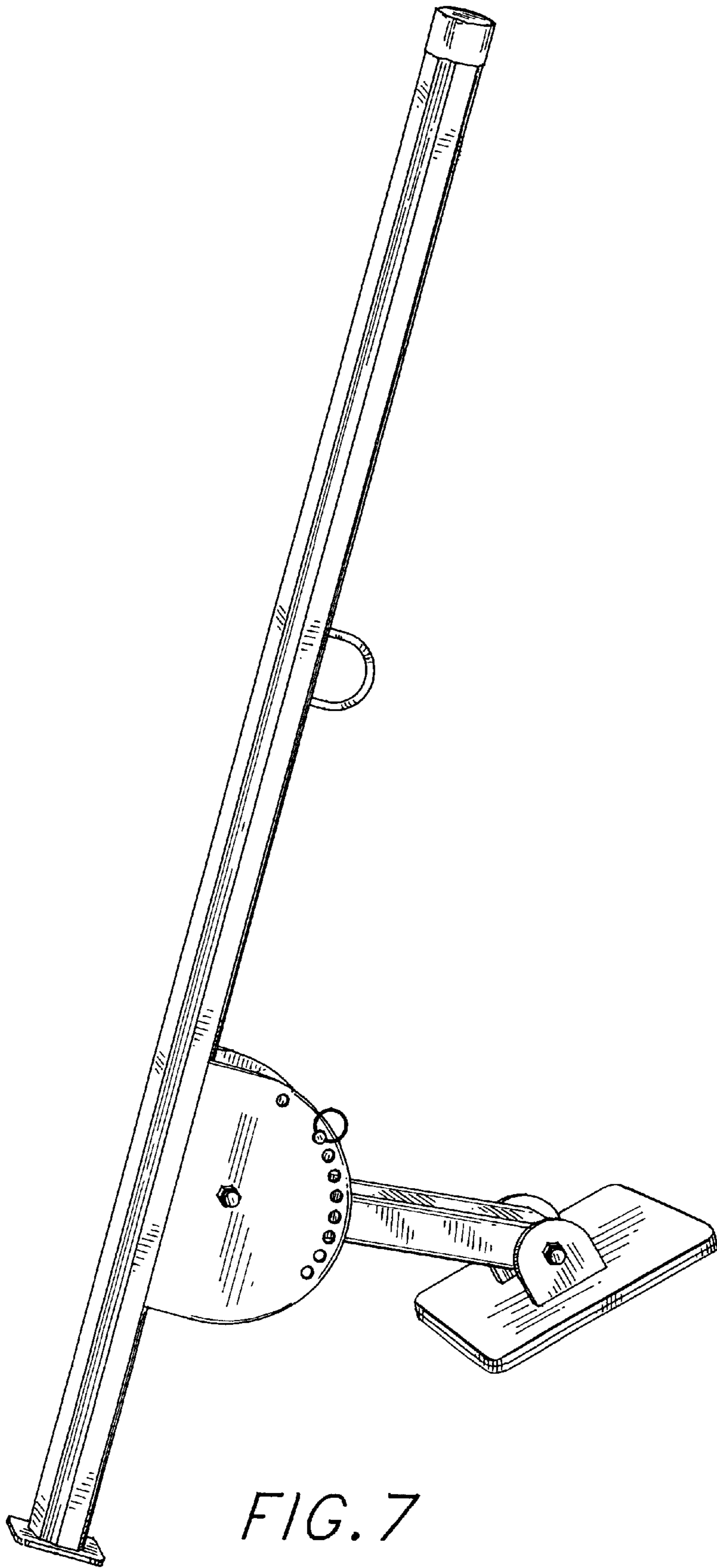


FIG. 7