



US00D464859S

(12) **United States Design Patent**
Netzler

(10) **Patent No.: US D464,859 S**

(45) **Date of Patent: ** *Oct. 29, 2002**

(54) **DRILL**

D402,872 S 12/1998 Clowers et al.

(75) Inventor: **Sion Netzler**, Woodham Village (GB)

(List continued on next page.)

(73) Assignee: **Black & Decker Inc.**, Newark, DE (US)

FOREIGN PATENT DOCUMENTS

(*) Notice: This patent is subject to a terminal disclaimer.

DE	M 96 02 972	12/1986
DE	M 92 02 349	10/1992
DE	M 92 03 149	11/1992
DE	M 92 04 142	11/1992
DE	M 95 05 672	3/1996
DE	96 02 972	3/1996
DE	M 95 07 044	7/1996
DE	M 96 03 012	9/1996
DE	M 96 00 027	10/1996
DE	97 03 272	3/1997
DE	M 96 04 701	4/1997
DE	M 92 03 272	9/1997
DE	M 97 01 649	10/1997
DE	M 97 03 311	10/1997

(**) Term: **14 Years**

(21) Appl. No.: **29/142,123**

(22) Filed: **May 18, 2001**

(30) **Foreign Application Priority Data**

Nov. 29, 2000 (GB) 2097776

(List continued on next page.)

(51) **LOC (7) Cl.** **08-01**

(52) **U.S. Cl.** **D8/68**

(58) **Field of Search** D8/61, 62, 63, D8/64, 67, 68, 69, 70, 107, 65, 66; 29/243.525; 74/371; 81/52, 54, 55, 57, 57.11, 57.13, 57.14, 57.42, 57.43, 177.1, 177.4, 177.6, 177.85, 409, 429, 436, 463, 464, 466, 474, 900, 901, DIG. 12; 173/13, 15, 47, 48, 90, 91, 92, 93, 93.5, 93.6, 109, 112, 122, 164, 169, 170, 171, 176, 213, 216, 217; 227/51, 81, 138; 279/9.1, 19.3, 62, 137, 142, 147, 149, 158; 310/50; 320/114; 408/20, 120, 122, 124, 125, 234, 241 R, 241 S; 451/344, 354, 357, 358, 359, 456

OTHER PUBLICATIONS

International Design Bulletin, Aug. 1997, pp. 4601-4602.

Primary Examiner—Doris V. Coles

Assistant Examiner—T. Chase Nelson

(74) *Attorney, Agent, or Firm*—Bruce S. Shapiro; Michael P. Leary

(57) **CLAIM**

The ornamental design for a drill, as shown and described.

DESCRIPTION

FIG. 1 is a front perspective view of a drill showing my new design.

FIG. 2 is a rear perspective view thereof.

FIG. 3 is a right side elevational view thereof.

FIG. 4 is a left side elevational view thereof.

FIG. 5 is a top plan view thereof.

FIG. 6 is a bottom plan view thereof.

FIG. 7 is a front elevational view thereof; and,

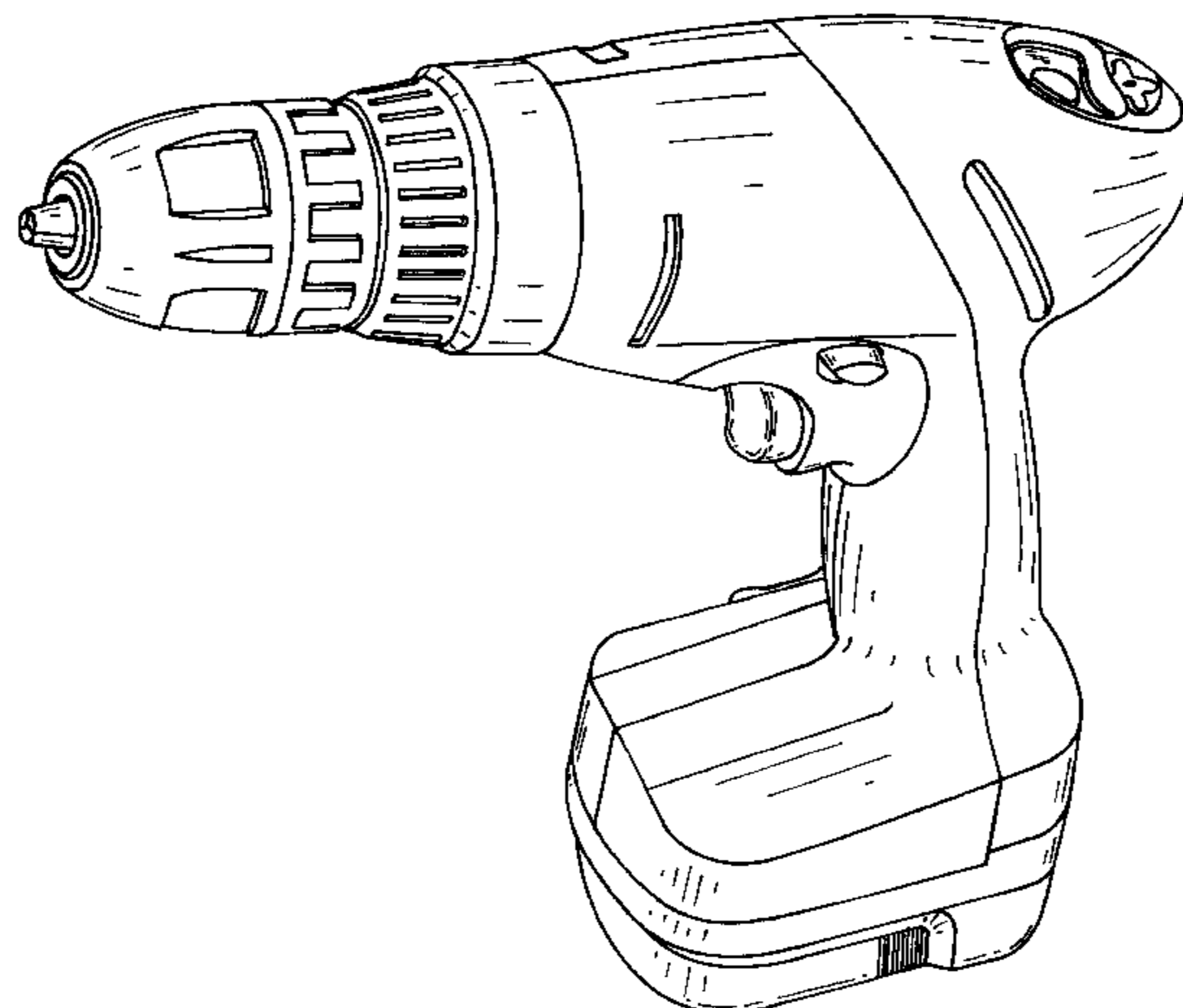
FIG. 8 is a rear elevational view thereof.

(56) **References Cited**

U.S. PATENT DOCUMENTS

D300,503 S	4/1989	Schultz	
D335,073 S	4/1993	Anthony et al.	D8/68
D339,046 S	9/1993	Fushiya et al.	D8/68
D359,215 S	* 6/1995	Zurwelle	D8/68
D378,268 S	* 3/1997	Schultz	D8/68
D380,952 S	* 7/1997	Kim	D8/68
D382,457 S	* 8/1997	Ghode et al.	D8/68
D396,177 S	* 7/1998	Schultz	D8/68
D402,871 S	* 12/1998	Clowers et al.	D8/68

1 Claim, 8 Drawing Sheets



US D464,859 S

Page 2

U.S. PATENT DOCUMENTS

D409,467 S 5/1999 Chung
5,918,685 A 7/1999 Ulbrich et al. 173/4
D414,667 S * 10/1999 Lee D8/68
D418,730 S 1/2000 Main
D419,413 S 1/2000 Heun
D420,877 S 2/2000 Schultz
D421,883 S 3/2000 Watson et al.
D426,125 S 6/2000 Hayakawa et al. D8/68
D426,126 S 6/2000 Schultz
D426,760 S 6/2000 Schultz
D428,320 S 7/2000 Ohi et al.
D429,134 S 8/2000 Schultz et al.
6,152,639 A * 10/2000 Hsu 408/241 R
D435,414 S 12/2000 Etter et al.
D437,759 S 2/2001 Breit et al.

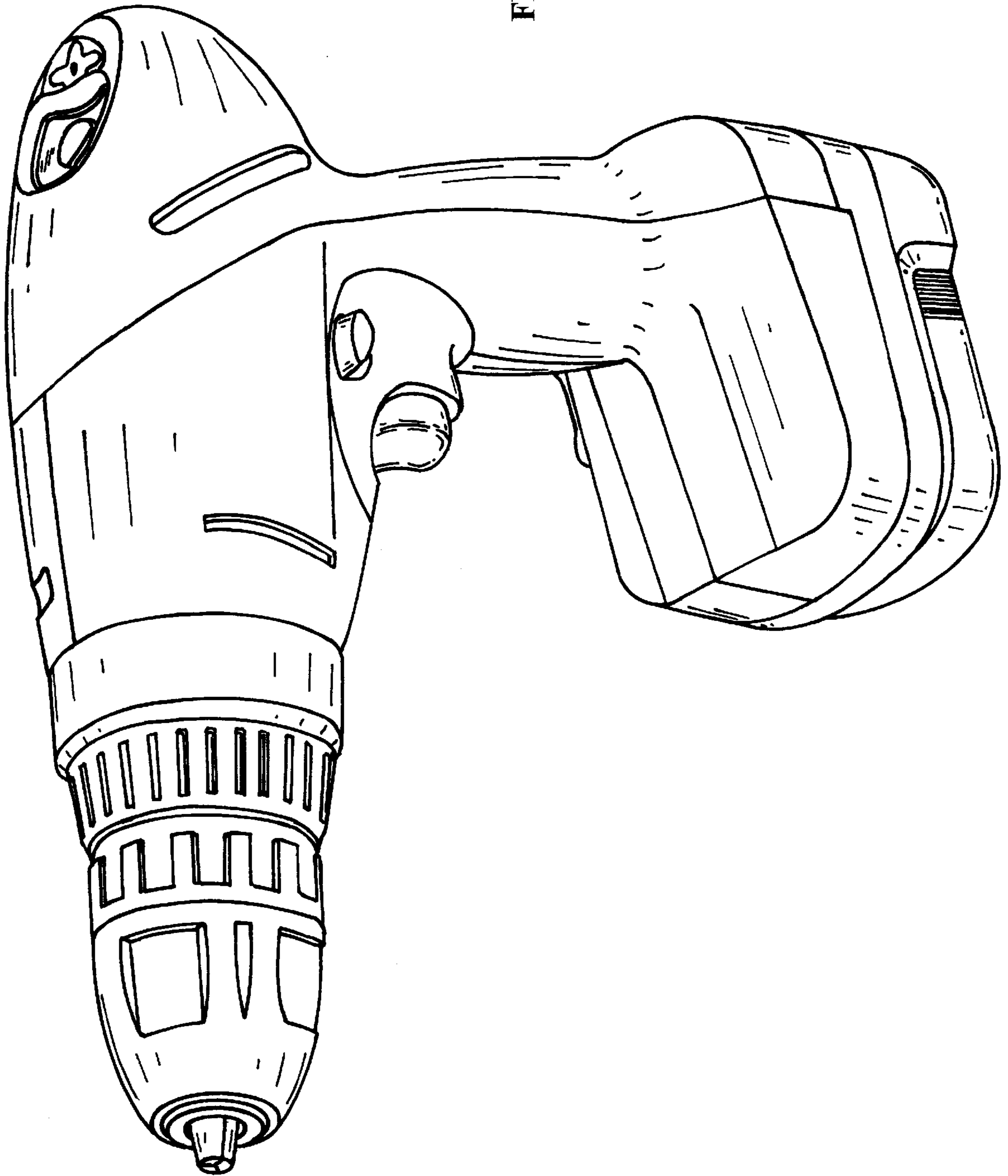
D439,123 S 3/2001 Sakai et al. D8/68
D447,036 S * 8/2001 Netzler D8/69
6,308,378 B1 * 10/2001 Mooty et al. 8/177.1

FOREIGN PATENT DOCUMENTS

DE	98 04 390	4/1998
DE	MR 98 04 390	1/1999
DE	499 02 246	1/1999
DE	499 02 803	3/1999
DE	499 07 986	8/1999
DE	MR 499 02 246	10/1999
DE	MR 499 02 803	10/1999
DE	MR 499 07 986	1/2000
DE	MR 499 11 374	5/2000

* cited by examiner

FIG. 1



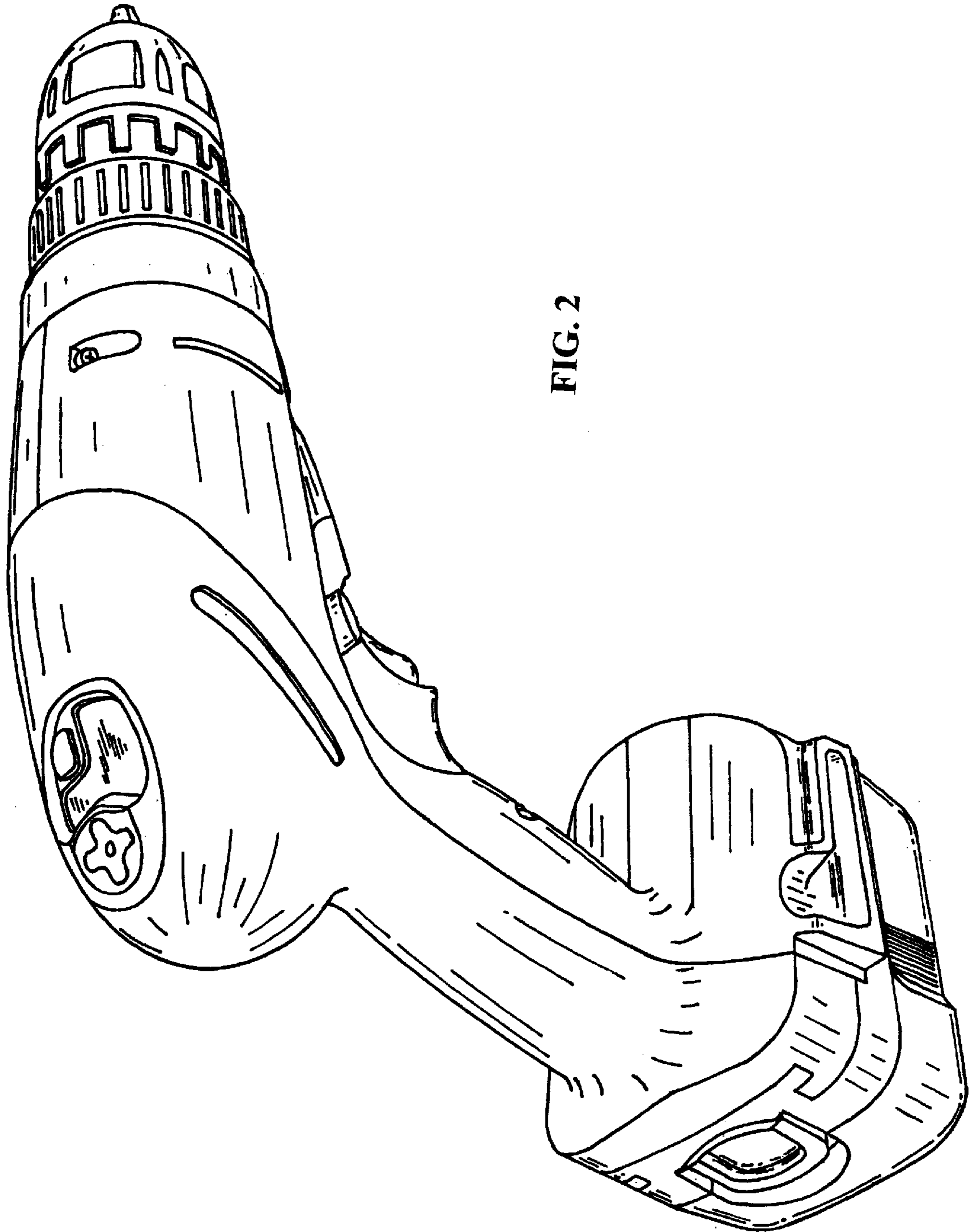


FIG. 2

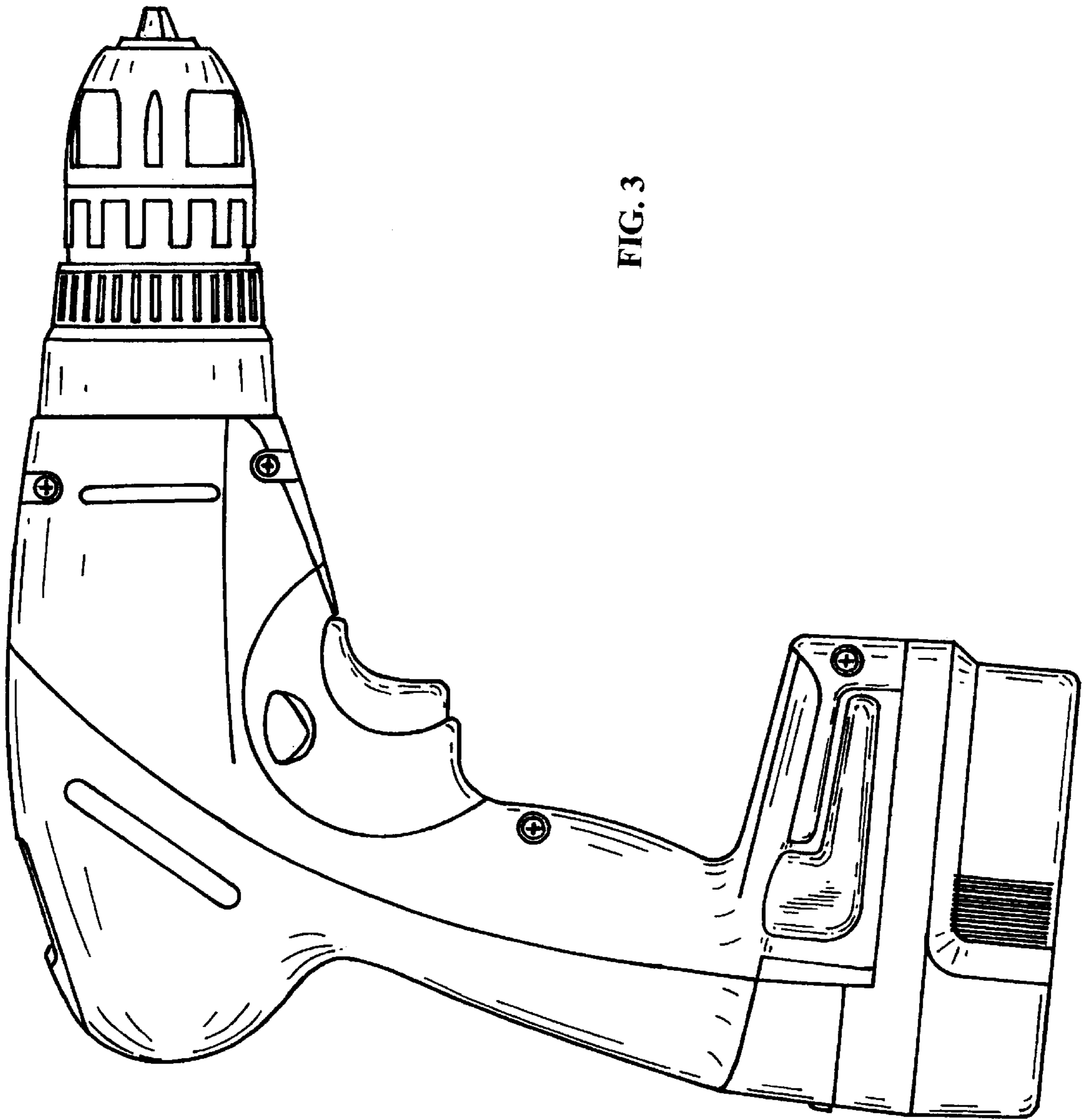


FIG. 3

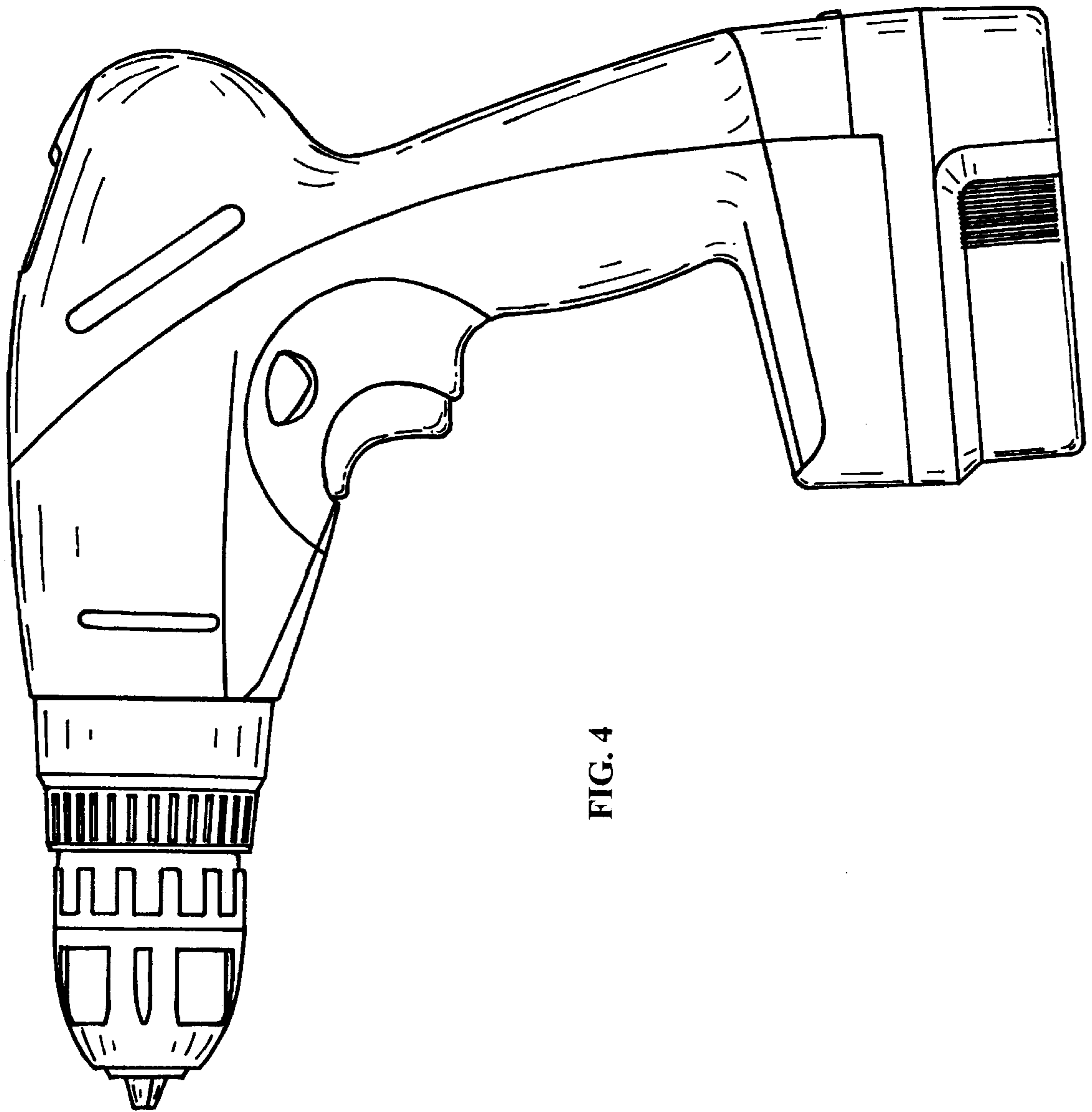


FIG. 4

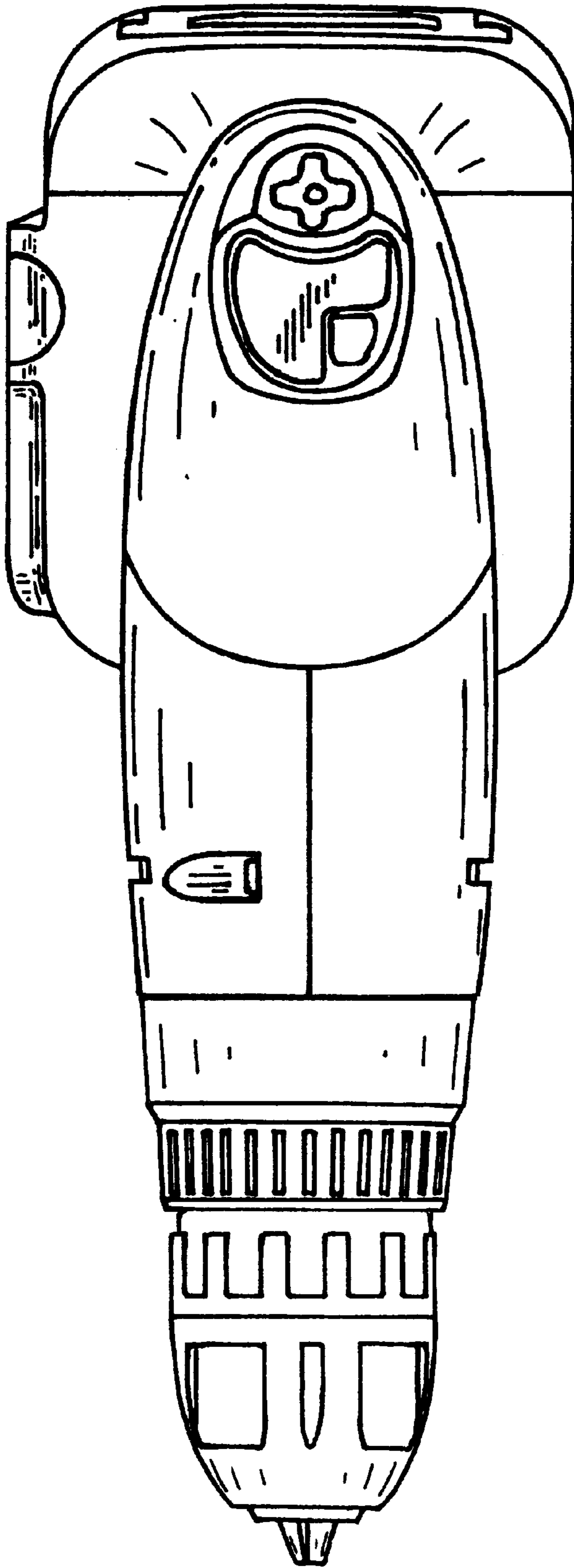


FIG. 5

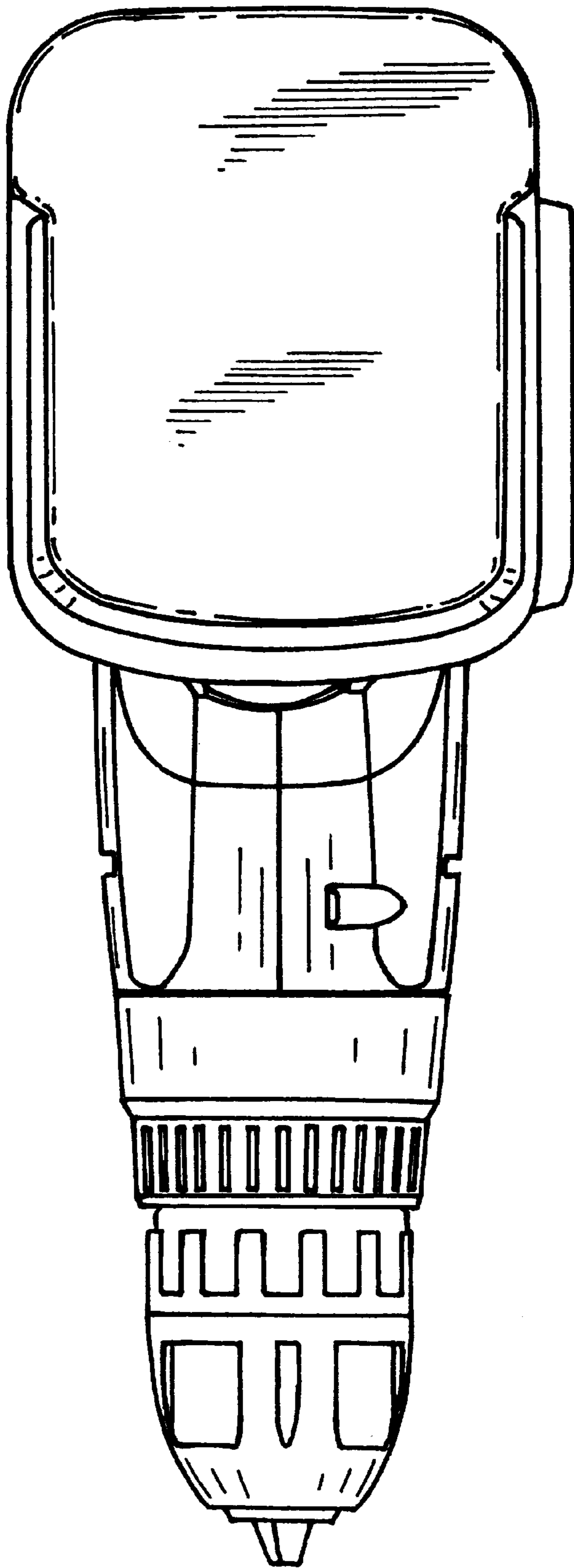


FIG. 6

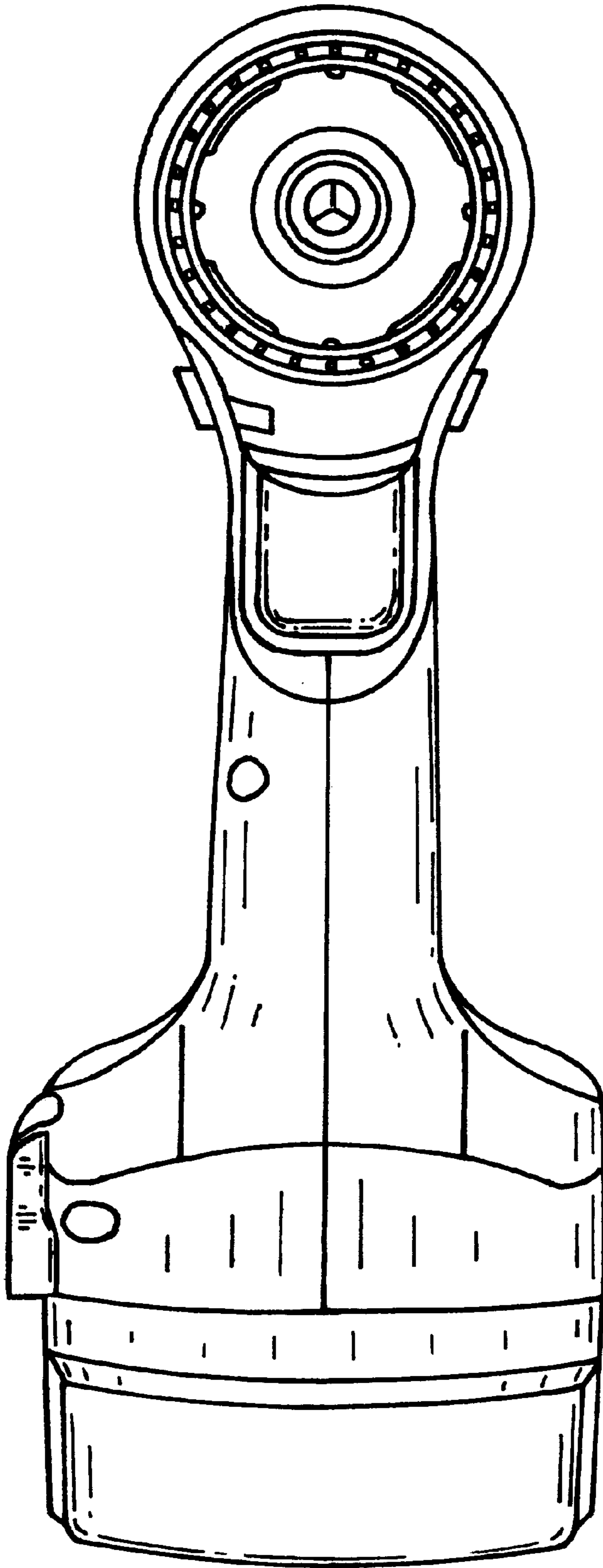


FIG. 7

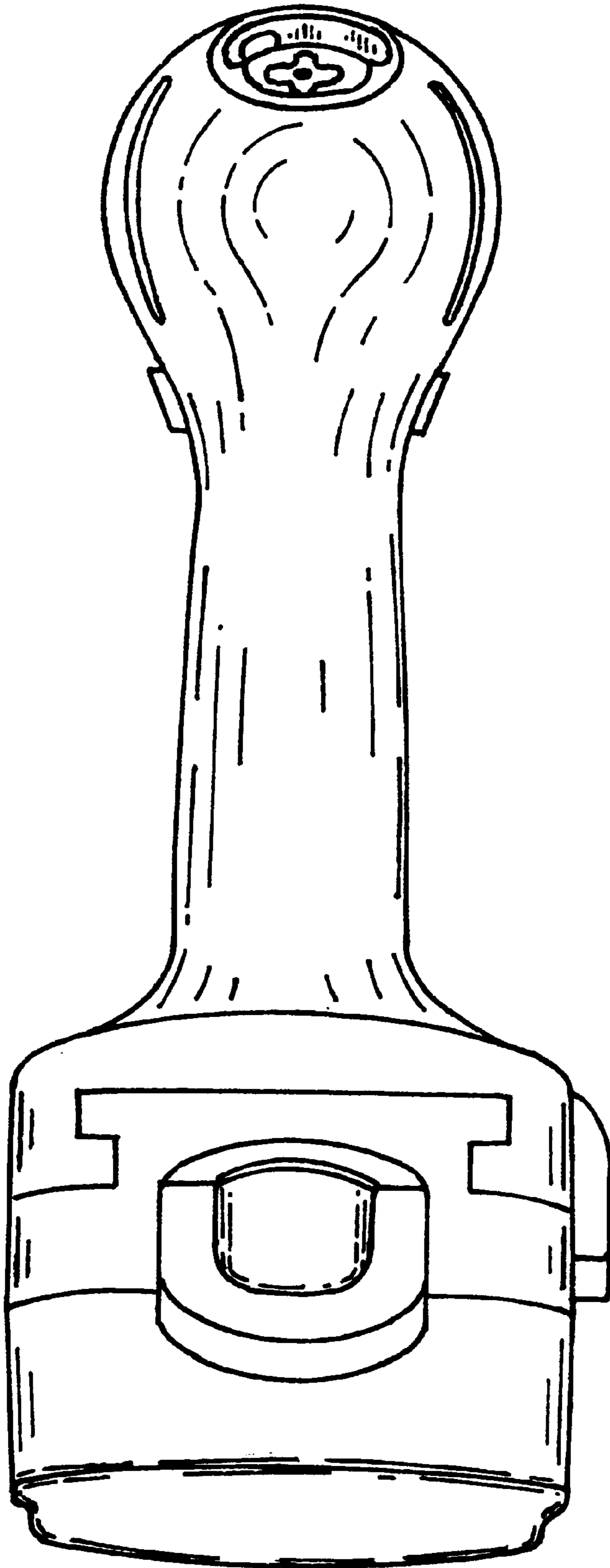


FIG. 8