



US00D464857S

(12) **United States Design Patent**  
**Morgan**

(10) **Patent No.:** **US D464,857 S**

(45) **Date of Patent:** **\*\* Oct. 29, 2002**

(54) **PNEUMATIC TOOL**

(75) **Inventor:** **Fred M. Morgan**, Jackson, TN (US)

(73) **Assignee:** **DeVilbiss Air Power Company**,  
Jackson, TN (US)

(\*\*) **Term:** **14 Years**

(21) **Appl. No.:** **29/149,142**

(22) **Filed:** **Oct. 3, 2001**

(51) **LOC (7) Cl.** ..... **08-01**

(52) **U.S. Cl.** ..... **D8/62**

(58) **Field of Search** ..... D8/61, 62; 81/57.13;  
173/170; 310/50; 451/344, 353, 356, 357,  
358, 359, 451, 456, 490, 355

(56) **References Cited**

**U.S. PATENT DOCUMENTS**

2,120,252	A	*	6/1938	Kadri	.....	451/358
2,662,351	A	*	12/1953	Iobbi	.....	451/353
4,175,359	A	*	11/1979	Teague, Jr. et al.	.....	451/357
D254,771	S	*	4/1980	Taylor et al.	.....	D8/62
4,879,847	A	*	11/1989	Butzen et al.	.....	451/344

D324,803	S	*	3/1992	Butzen et al.	.....	D8/62
D350,467	S	*	9/1994	Izumisawa	.....	D8/62
D377,892	S	*	2/1997	Sung	.....	D8/62
D380,659	S	*	7/1997	Sung	.....	D8/62
D386,377	S	*	11/1997	Sung	.....	D8/62
D427,498	S	*	7/2000	Price et al.	.....	D8/62

\* cited by examiner

*Primary Examiner*—Stacia Cadmus

*Assistant Examiner*—Elizabeth A. Albert

(74) *Attorney, Agent, or Firm*—Suiter & Associates PC

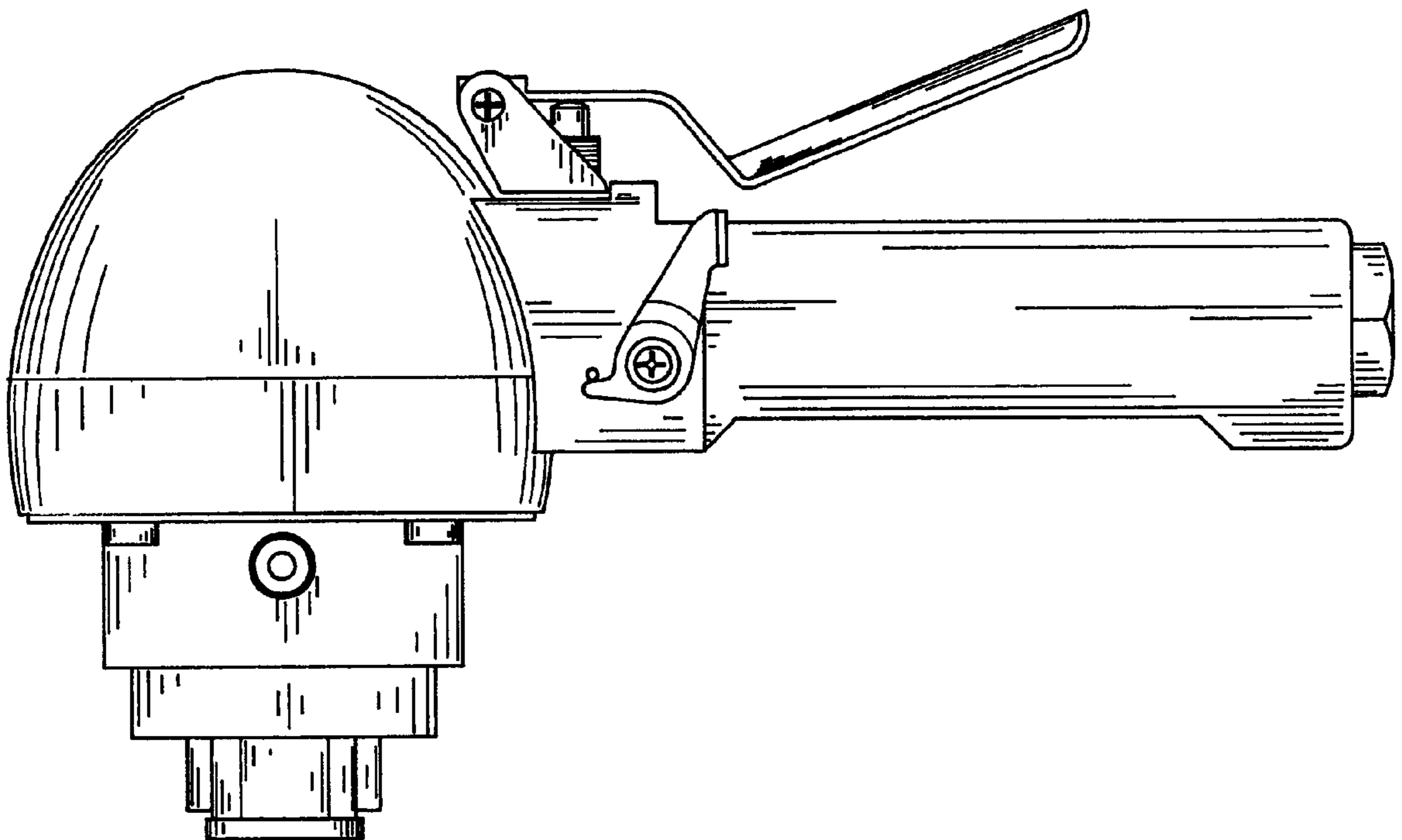
(57) **CLAIM**

We claim the ornamental design for a pneumatic tool, as shown.

**DESCRIPTION**

FIG. 1 is top plan view thereof;  
FIG. 2 is a front elevation view thereof;  
FIG. 3 is a left side elevation view thereof;  
FIG. 4 is a rear elevation view thereof;  
FIG. 5 is a right side elevation view thereof; and,  
FIG. 6 is a bottom plan view thereof.

**1 Claim, 2 Drawing Sheets**



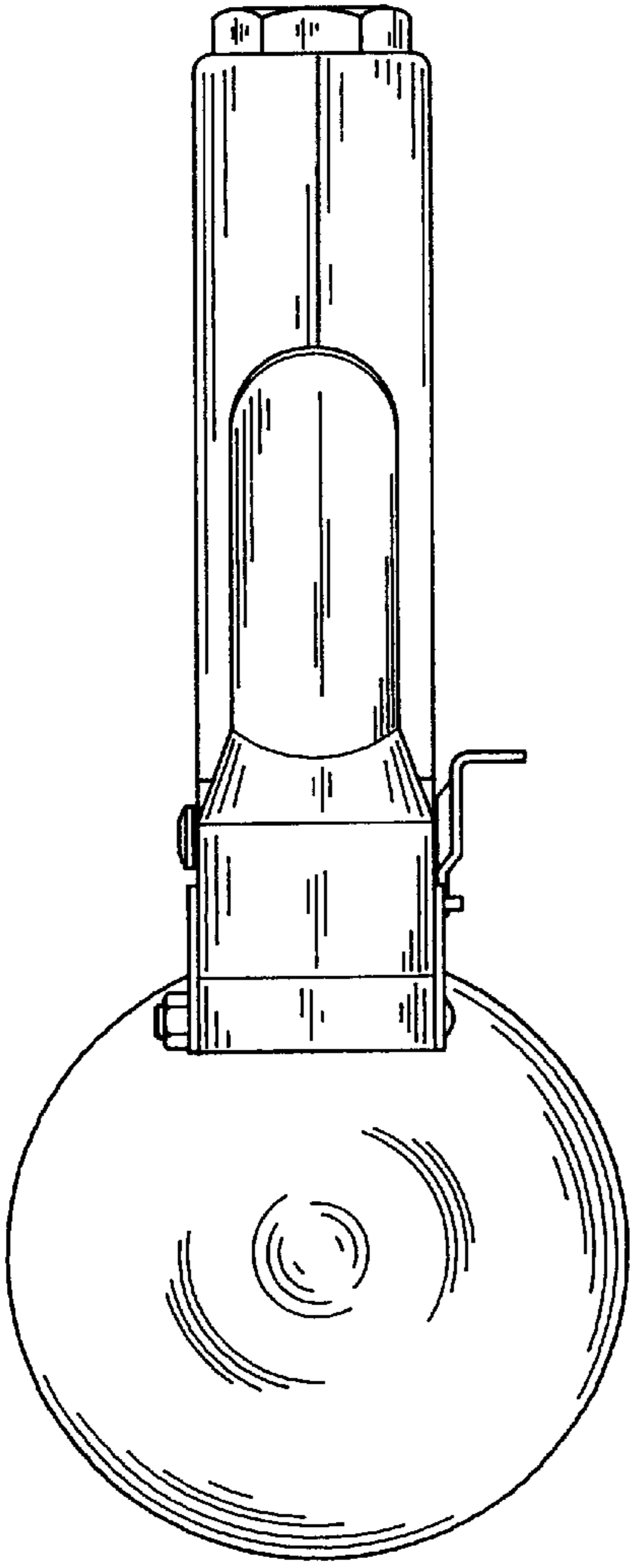


FIG. 1

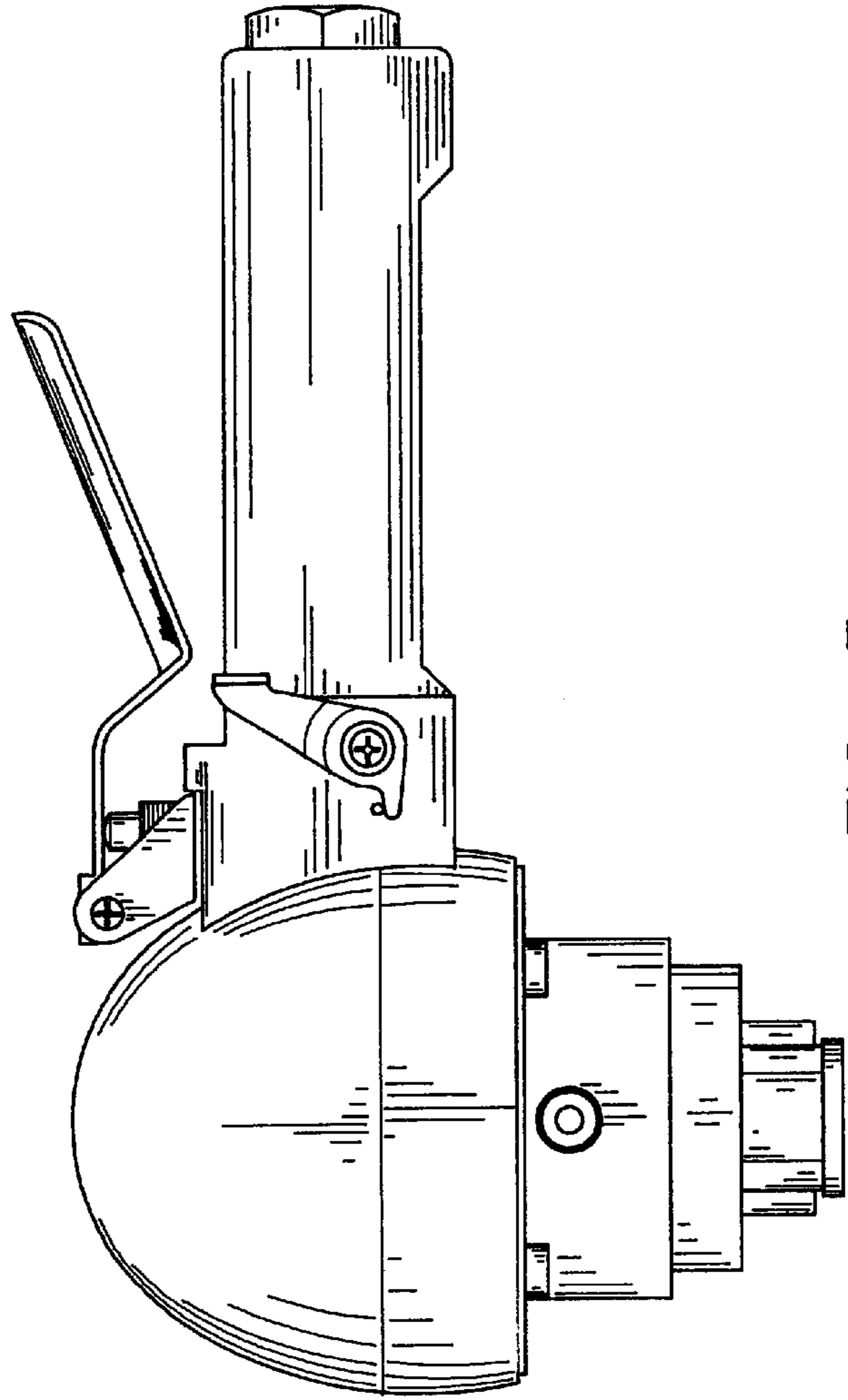


FIG. 3

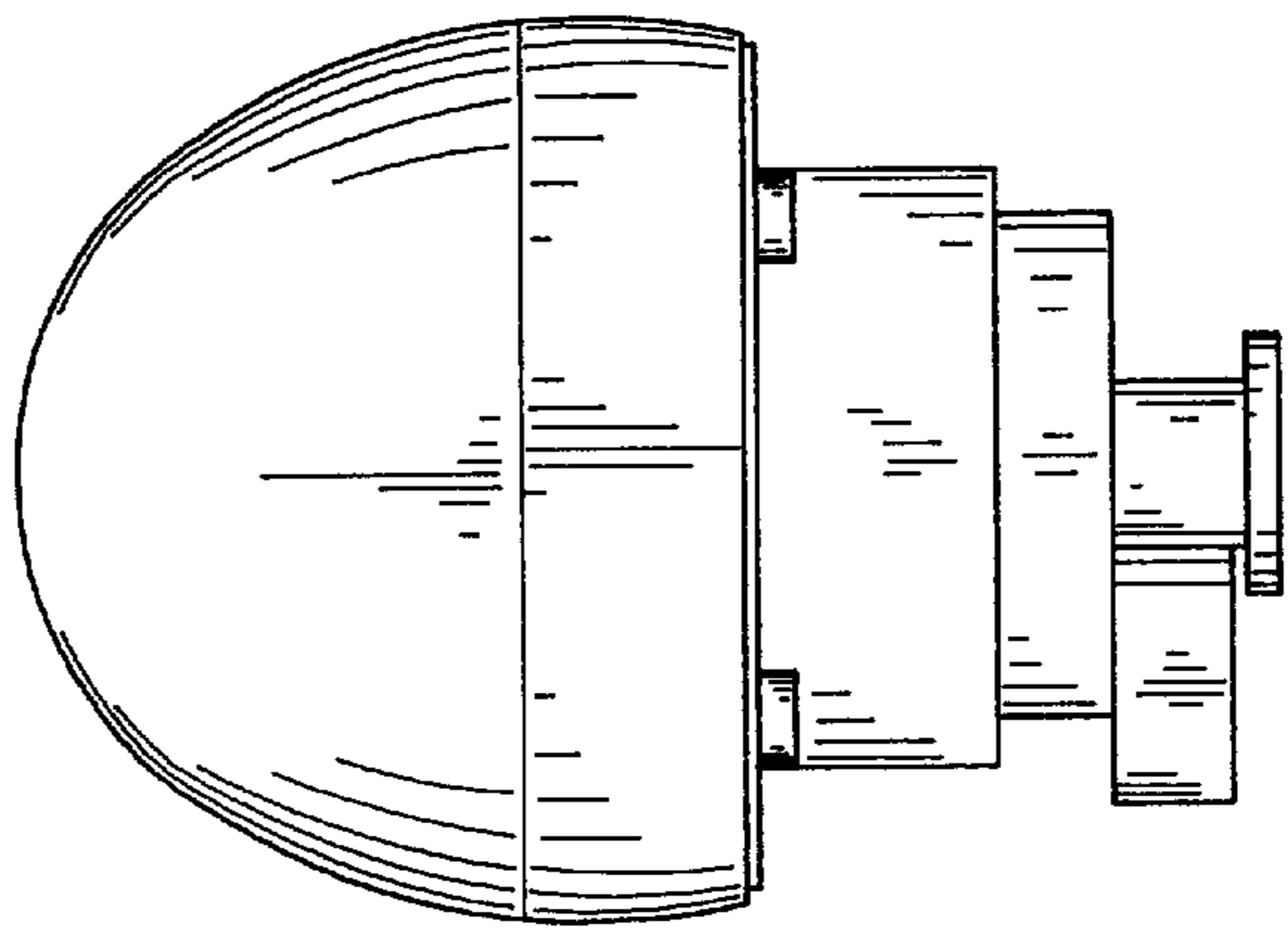


FIG. 2

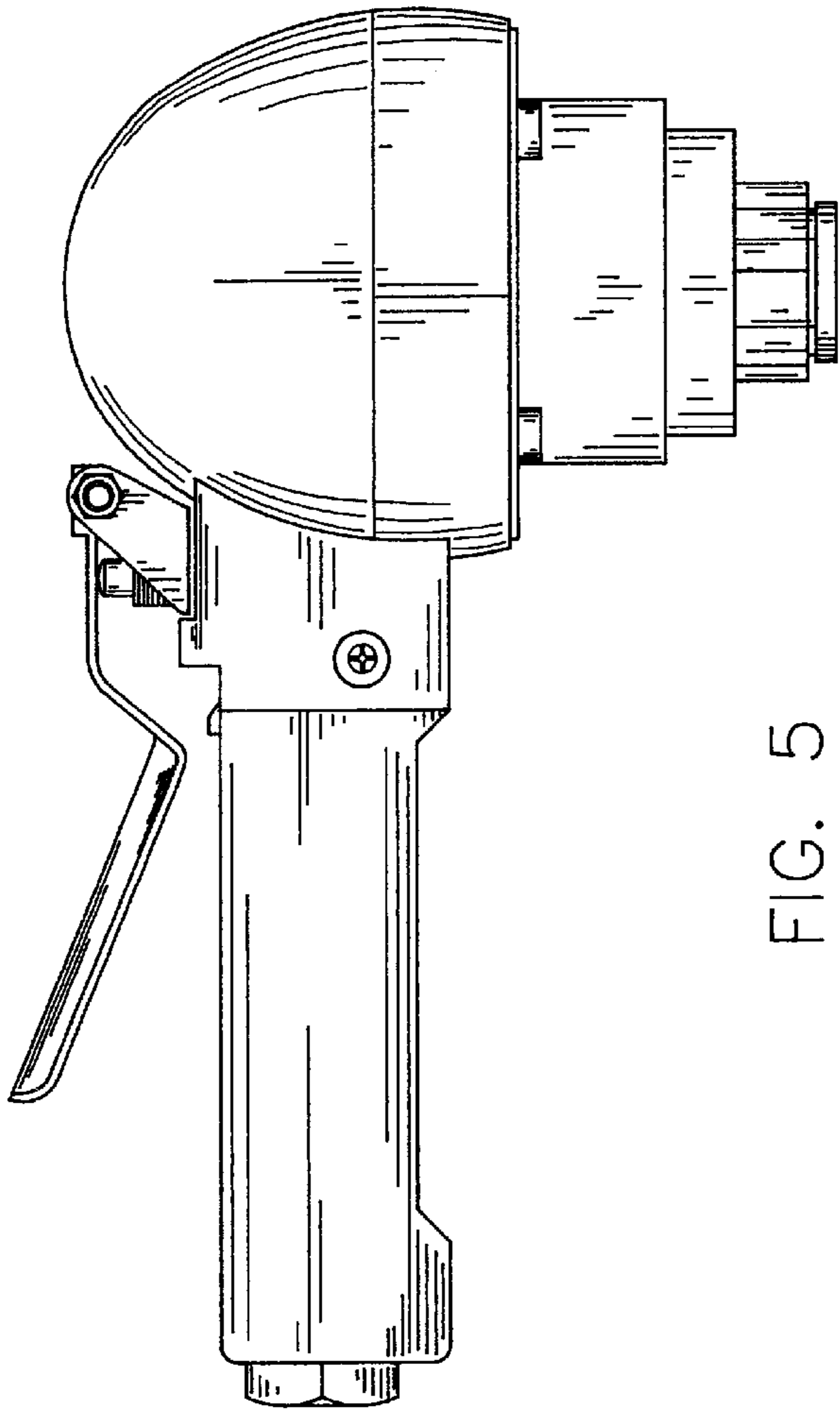


FIG. 5

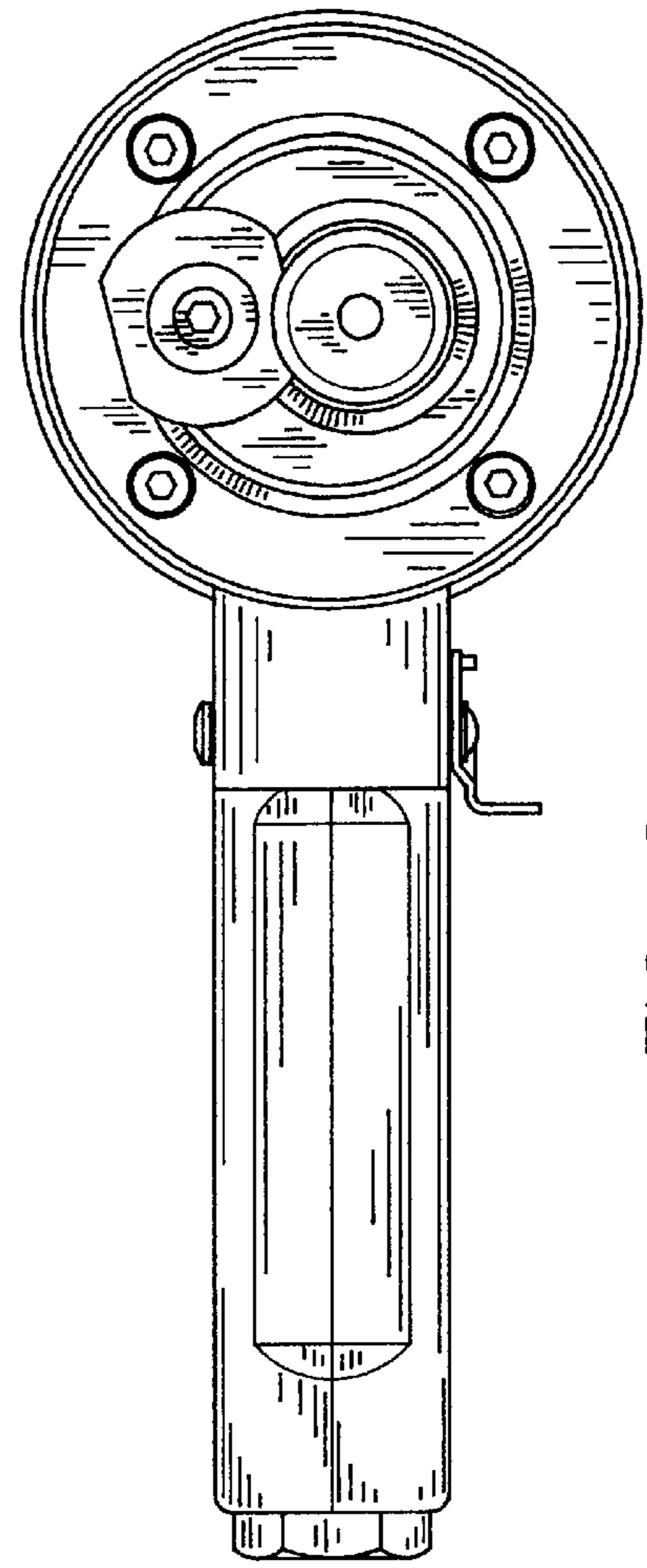


FIG. 6

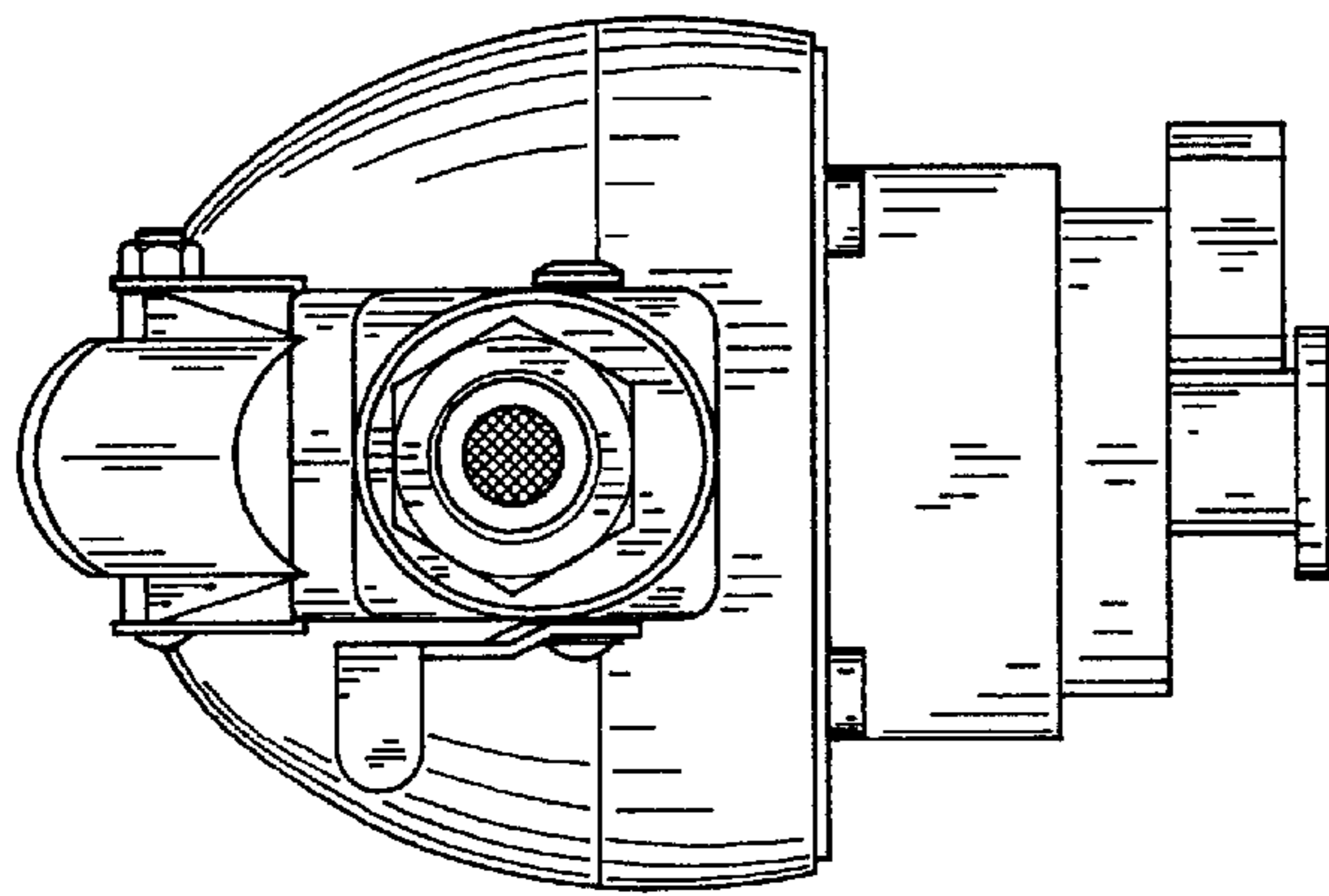


FIG. 4