



US00D464855S

(12) **United States Design Patent**
Clivio

(10) **Patent No.:** **US D464,855 S**

(45) **Date of Patent:** **** Oct. 29, 2002**

(54) **GARDEN SCISSORS**

(75) Inventor: **Franco Clivio**, Erlenbach (CH)

(73) Assignee: **Gardena Kress + Kastner GmbH**
(DE)

(**) Term: **14 Years**

(21) Appl. No.: **29/155,754**

(22) Filed: **Feb. 15, 2002**

(30) **Foreign Application Priority Data**

Aug. 17, 2001 (DE) 4 01 07 246

(51) **LOC (7) Cl.** **08-01**

(52) **U.S. Cl.** **D8/5**

(58) **Field of Search** D8/57, 5, 1, 7,
D8/4; 30/287, 261–262, 252, 251, 124;
D24/146, 147

(56) **References Cited**

U.S. PATENT DOCUMENTS

- D386,369 S * 11/1997 Lin D8/5
- D395,581 S * 6/1998 Chai et al. D8/5
- D405,663 S * 2/1999 Deville D8/5
- D413,052 S * 8/1999 Staton D8/5

OTHER PUBLICATIONS

P. 13 from a catalog published by Fiskars Deutschland GmbH, Germany for the years 1997/1998.

P. 8 from a catalog published by Felco SA, Switzerland, Jul. 1998 for the years 1998/1999.

P. 21 from a catalog published by Wolf–Garten GmbH & Co. KG, Germany, Nov. 1999 for the year 2000.

Pp. 6–7 and 28–29 from a catalog published by Corona Clipper, Inc., USA, 2000.

Two pages from a catalog published by Fiskars Deutschland GmbH, Germany for the year 2001.

* cited by examiner

Primary Examiner—Pamela Burgess

(74) *Attorney, Agent, or Firm*—Akerman Senterfitt

(57) **CLAIM**

The ornamental design for garden scissors, as shown and described.

DESCRIPTION

FIG. 1: is a side perspective view of garden scissors showing my new design;

FIG. 2: is a top plan view thereof;

FIG. 3: is a bottom plan view thereof;

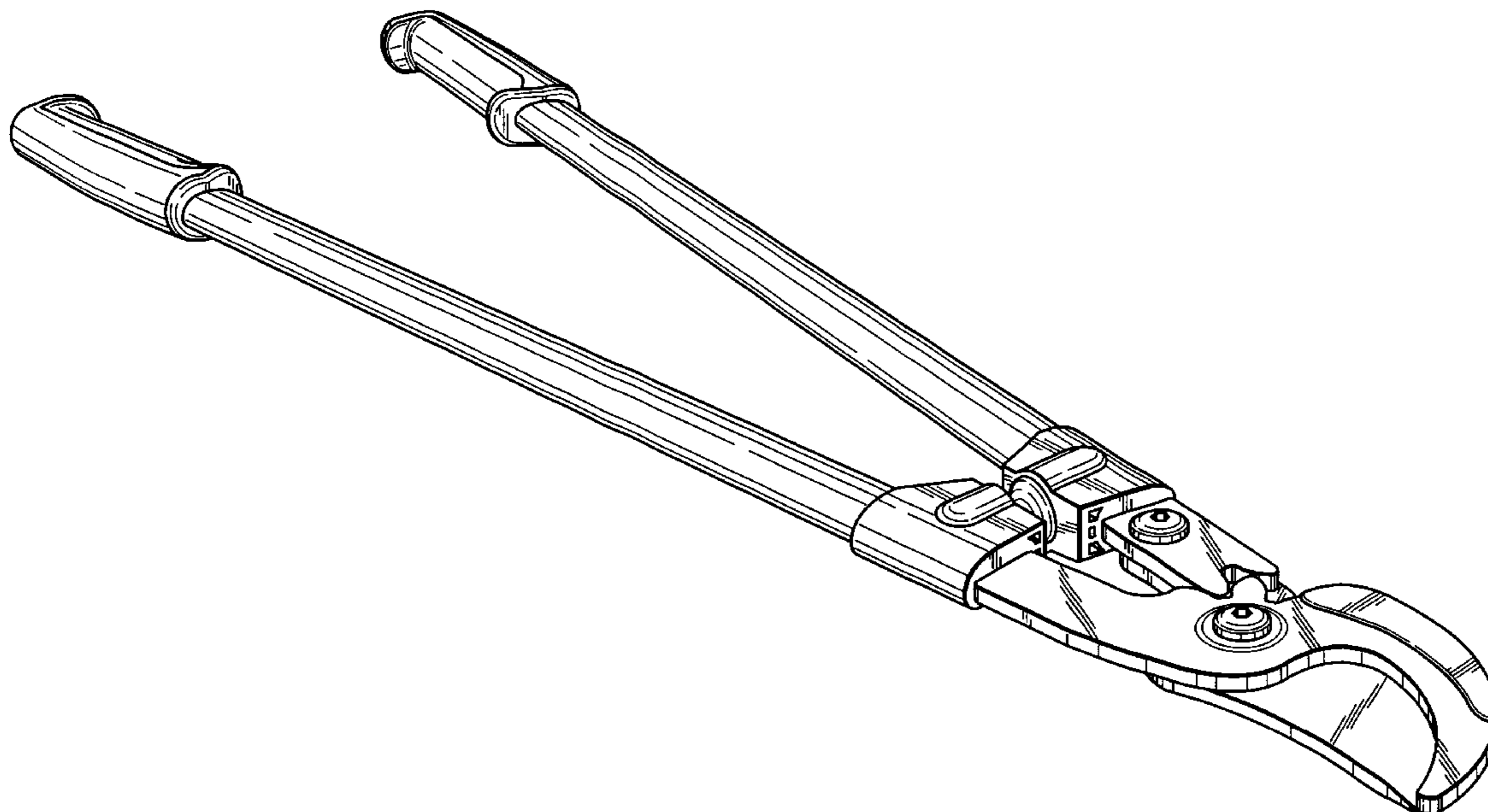
FIG. 4: is a front elevation view thereof;

FIG. 5: is a side elevation view thereof;

FIG. 6: is a rear elevation view thereof; and,

FIG. 7: is the opposite side elevation view thereof.

1 Claim, 3 Drawing Sheets



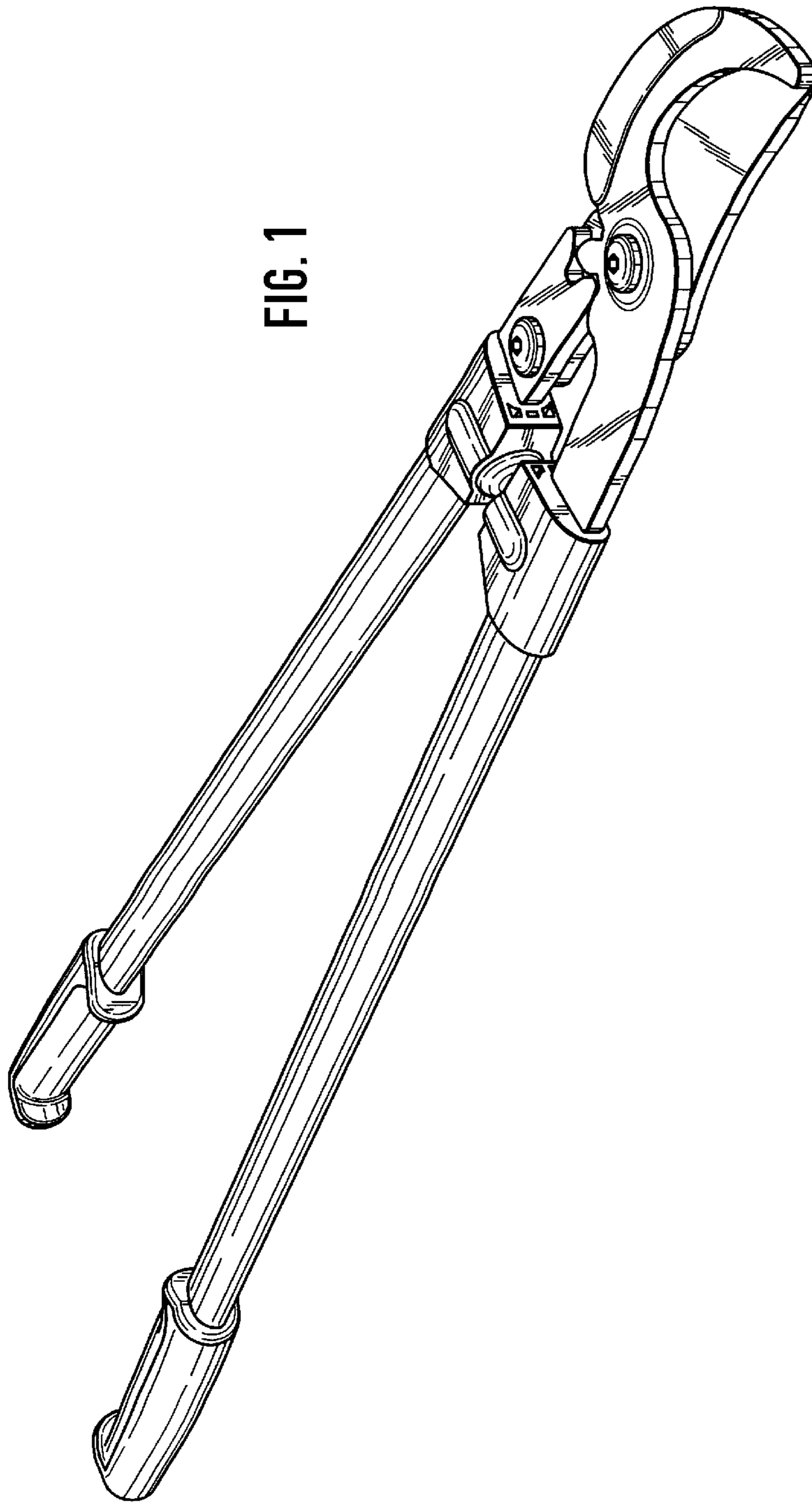


FIG. 1

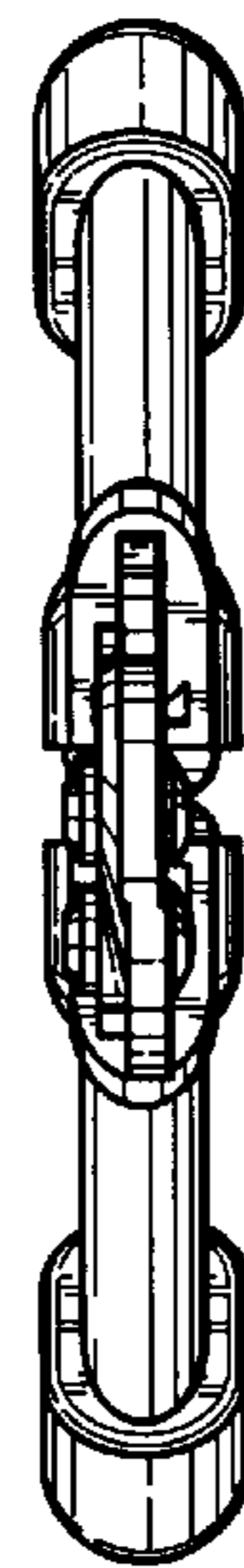


FIG. 2

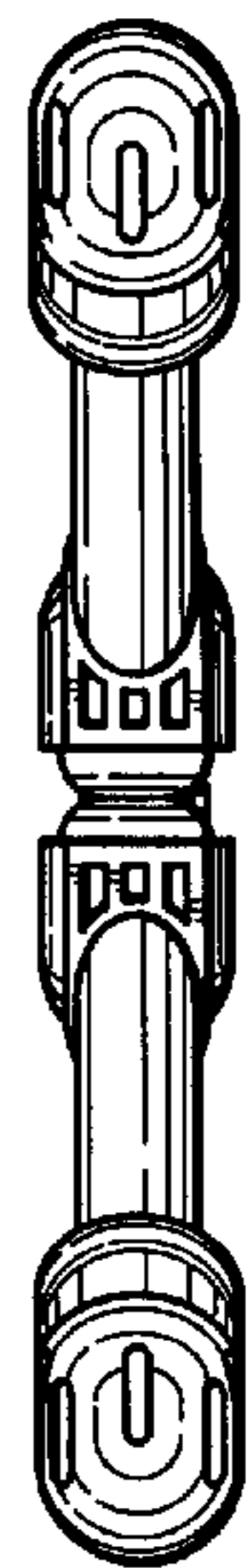


FIG. 3

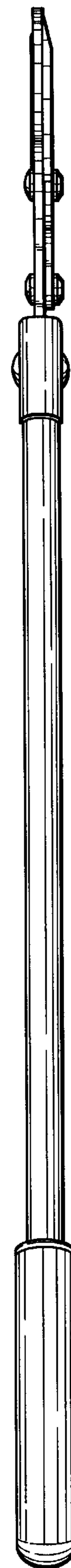
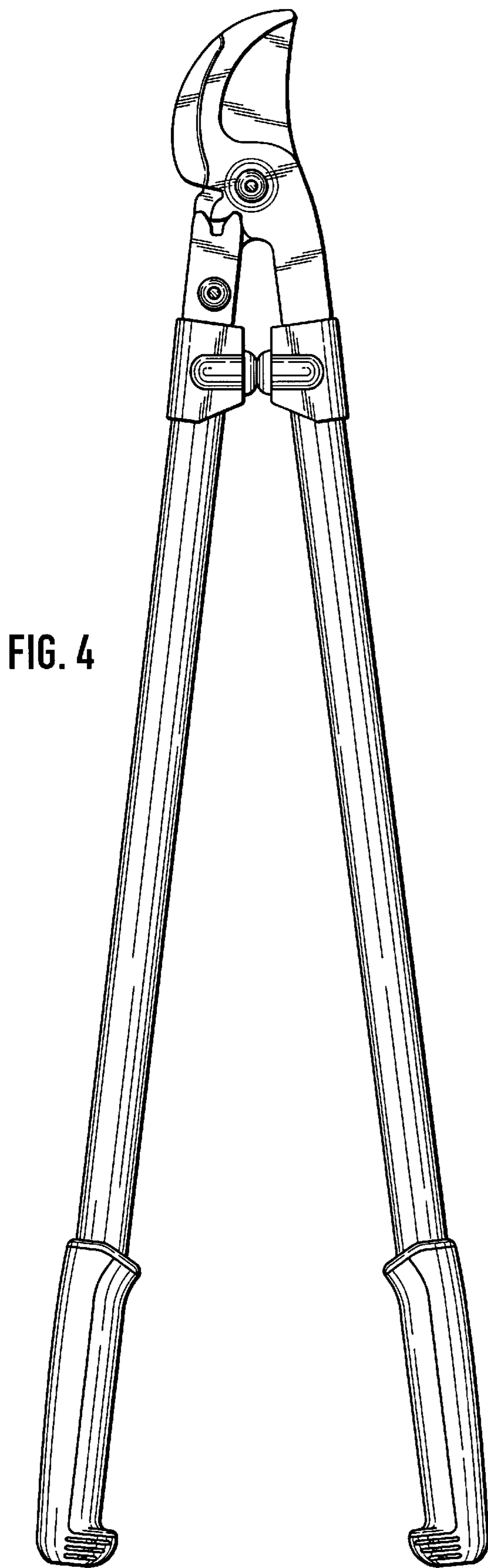


FIG. 4

FIG. 5

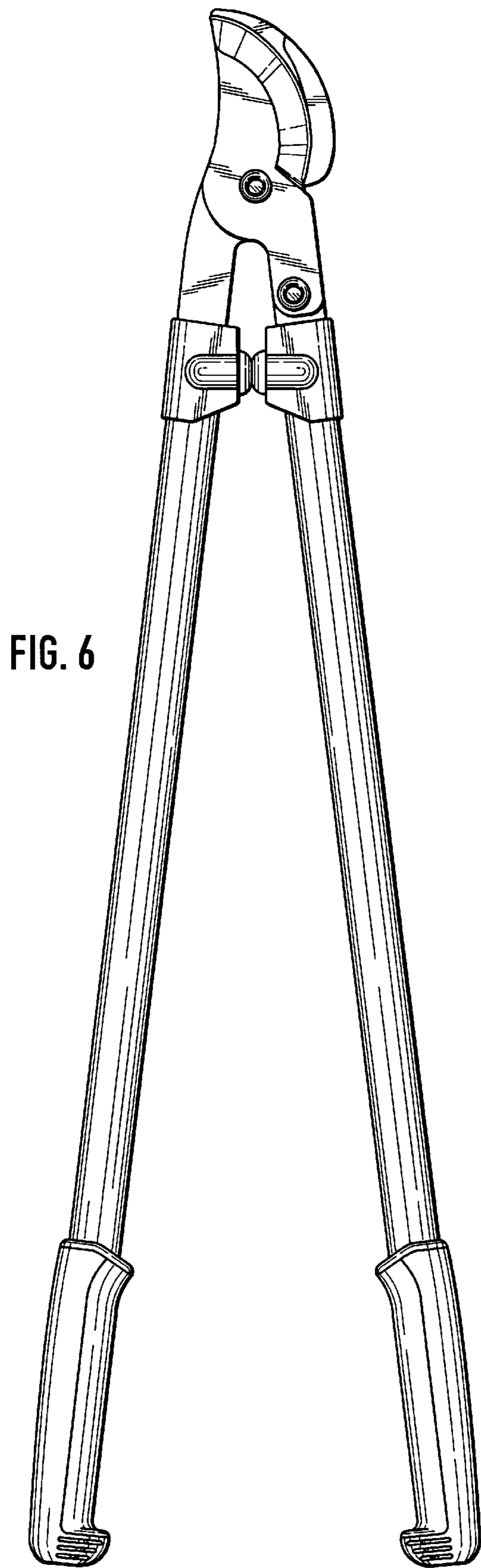


FIG. 6

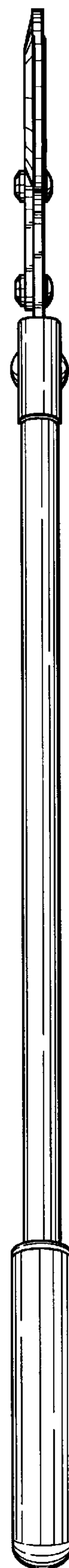


FIG. 7